

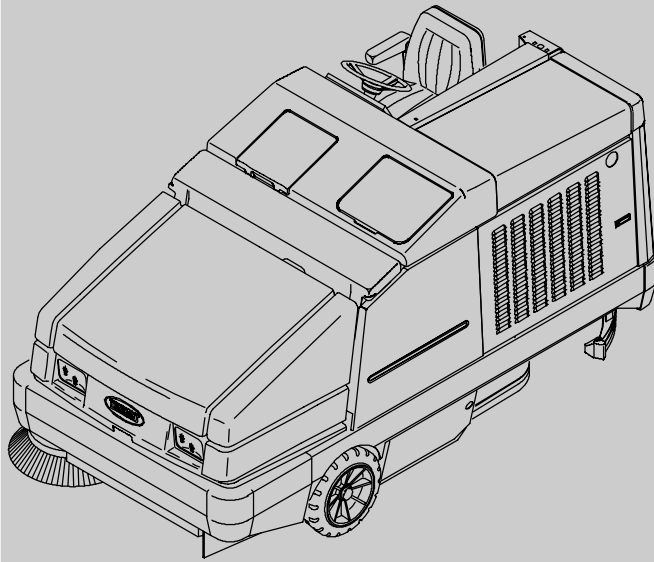
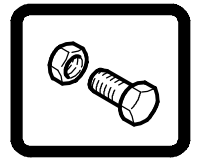


# 8410

(Gas/LPG)

(000000- )

## Sweeper-Scrubber Parts Manual



***FAST***  
*Foam Scrubbing Technology*

***The Safe Scrubbing Alternative***

***ES<sup>®</sup> Extended Scrub System***

**North America / International**

[www.tennantco.com](http://www.tennantco.com)

MM390  
Rev. 15 (05-2007)



When ordering replacement parts, use the illustrated parts list section in this manual. Before ordering parts or supplies, be sure to have your machine model number and serial number available. Only use TENNANT Company supplied or equivalent parts. Parts and supplies may be ordered online, by phone, or mail from any authorized parts and service center, distributor or from any of the manufacturer's subsidiaries.

This machine will provide excellent service. However, the best results will be obtained at minimum costs if:

- The machine is operated with reasonable care.
- The machine is maintained regularly - per the machine maintenance instructions provided.
- The machine is maintained with manufacturer supplied or equivalent parts.

#### **MACHINE DATA**

Please fill out at time of installation for future reference.

Model No. - \_\_\_\_\_

Serial No. - \_\_\_\_\_

Machine Options - \_\_\_\_\_

Sales Rep. - \_\_\_\_\_

Sales Rep. phone no. - \_\_\_\_\_

Customer Number - \_\_\_\_\_

Installation Date - \_\_\_\_\_

#### **Tennant Company**

PO Box 1452

Minneapolis, MN 55440

Phone: (800) 553-8033 or (763) 513-2850

[www.tennantco.com](http://www.tennantco.com)

Thermo-Sentry and FaST-PAK are US registered and unregistered trademarks of Tennant Company.

Specifications and parts are subject to change without notice.

Copyright © 1996, 1997, 1999 - 2006, 2007 TENNANT Company, Printed in U.S.A.

## HOW TO USE THIS MANUAL

This section on *HOW TO USE THIS MANUAL* will tell you how to:

- Find important machine information for ordering correct repair parts.
- Find TENNANT part numbers.
- Order TENNANT parts and supplies.

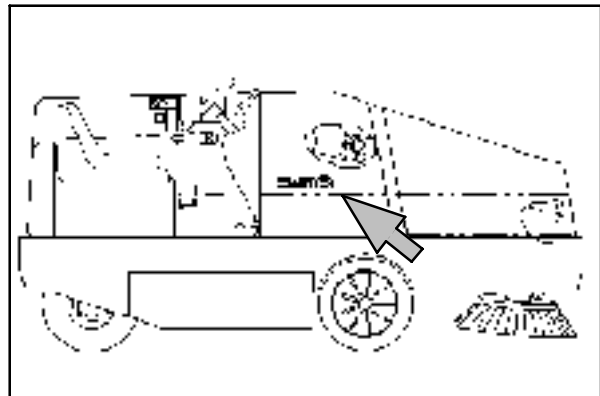
### IMPORTANT INFORMATION

When placing an order for parts, the machine model and machine serial number are important. Refer to the *MACHINE DATA* box which is filled out during the installation of your machine. The *MACHINE DATA* box is located on the inside of the front cover of this manual.

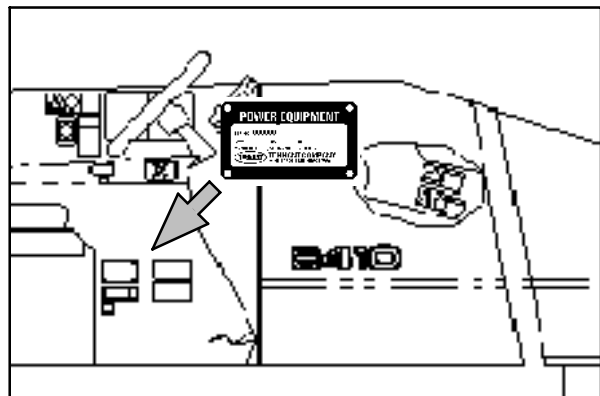
MACHINE DATA  
Please fill out a separate form for each piece of equipment.

Model Code Number - 4010  
Machine Serial Number -  
Machine Option -  
TENNANT Equipment Number -  
Customer Number -  
Date of Installation \_\_\_\_\_  
Machine Model - MM390  
Location -  
Distributor -

The model number of your machine is on the side of the machine.



The serial number of your machine is printed on the machine data plate located as shown.



# HOW TO USE THIS MANUAL

## FINDING A TENNANT PART NUMBER

This manual contains the following sections:

- HOW TO USE THIS MANUAL
- STANDARD PARTS
- OPTIONS
- BREAKDOWNS
- CROSS REFERENCE

The STANDARD PARTS section lists repair parts for standard machines. They are grouped in this general order:

- General wear parts.
- Machine frame and related parts.
- Machine propelling system.
- Scrubbing components.
- Electrical parts.

The OPTION section lists repair parts of options.

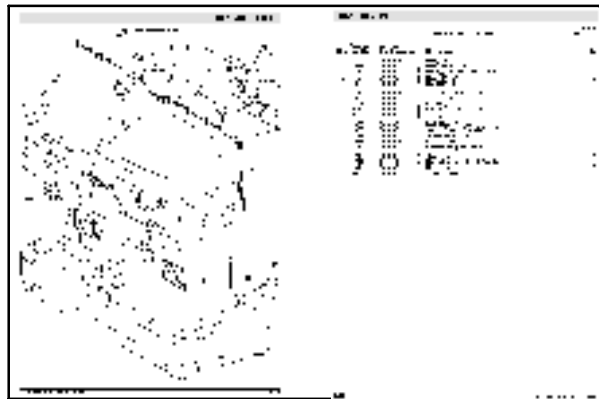
The BREAKDOWN section lists available repair parts of major components.

All sections in this manual consist of parts illustrations and corresponding parts lists.

The parts illustrations are numbered with **Ref** numbers which refer to corresponding parts lists.

The parts lists include a number of columns of information:

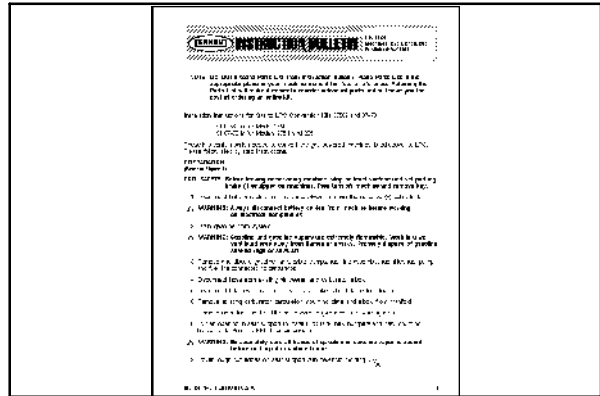
- **Ref** - column refers to the reference number on the parts illustration.
- ∇ - indicates the part is an assembly.
- ▲ - indicates the part is included in the assembly listed just before it.
- **TENNANT Part No.** - column lists the TENNANT part number for the part.
- **Serial Number** - column indicates the set of machines the part number is applicable to. Serial numbers change when the machine design has been modified. The most current design of the machine is shown in the main illustration, older designs are boxed in a corner of the illustration.
- **Description** - column is a brief description of the part.
- **Qty.** - column lists the quantity of that part used in that area of the machine.



Ref	Serial Number	Description	Qty.
1000	0000	Motor	1
1001	0000	Motor Mounting	1
1002	0000	Motor Mounting	1
1003	0000	Motor Mounting	1
1004	0000	Motor Mounting	1
1005	0000	Motor Mounting	1
1006	0000	Motor Mounting	1
1007	0000	Motor Mounting	1
1008	0000	Motor Mounting	1
1009	0000	Motor Mounting	1
1010	0000	Motor Mounting	1
1011	0000	Motor Mounting	1
1012	0000	Motor Mounting	1
1013	0000	Motor Mounting	1
1014	0000	Motor Mounting	1
1015	0000	Motor Mounting	1
1016	0000	Motor Mounting	1
1017	0000	Motor Mounting	1
1018	0000	Motor Mounting	1
1019	0000	Motor Mounting	1
1020	0000	Motor Mounting	1

*NOTE: If a service kit is installed on your machine, be sure to keep the INSTRUCTION BULLETIN which came with the kit. It contains repair parts numbers needed for ordering future parts.*

*NOTE: Fasteners used in this machine may be metric or non-metric. Take care when replacing hardware to replace with same thread size.*



## PLACING AN ORDER

Orders may be placed by phone, fax, or by mail. Phone orders may need written confirmation. Follow the steps below to insure prompt delivery:

1. Identify the model number of your machine.
2. Identify the serial number of your machine.
3. Find the part number of the part you need. Do not order by page number or reference number. If you are not able to find the part number, call your TENNANT representative for help or send the old part as a sample.
4. Determine the quantity of the part you need.
5. Provide the following company information:
  - Company name
  - Customer ID Number
  - Shipping address
  - Billing address
  - First and last name of person ordering parts
  - Telephone number
  - Purchase order number
6. Provide definitive shipping instructions.

## HOW TO USE THIS MANUAL

---

Any claim for loss or damage to a shipment in transit should be filed promptly with the transportation company making the delivery. Shipments will be complete unless the packing list or order acknowledgement indicates items back ordered.

If parts received are suspected to be incorrect or defective, please contact the TENNANT representative from whom you ordered the part. They will give authorization for return and/or handle replacement shipments when required.

## SECTION 2

Contents	Page	Contents	Page
Fig. 1 - General Recommended Maintenance Items	2-3	Fig. 37 - Engine Air Cleaner Group (000000-013227)	2-78
Fig. 2 - Brushes, Replacement	2-4	Fig. 38 - Engine Air Cleaner Group (013228-013999)	2-80
Fig. 3 - Main Frame And Skirt Group	2-6	Fig. 39 - Engine Air Cleaner Group (014000-014999)	2-82
Fig. 4 - Main Frame Left Brush Door Group	2-8	Fig. 40 - Engine Air Cleaner Group (015000- )	2-84
Fig. 5 - Main Frame Right Brush Door Group	2-10	Fig. 41 - Engine Muffler Group (000000-013227)	2-86
Fig. 6 - Main Frame Seat and Shroud Group	2-12	Fig. 42 - Engine Muffler Group (013228-013999)	2-88
Fig. 7 - Main Frame Engine Side Door and Cover Group	2-14	Fig. 43 - Engine Muffler Group (014000-014999)	2-90
Fig. 8 - Main Frame Tank Panel Group	2-16	Fig. 44 - Engine Muffler Group (015000- )	2-92
Fig. 9 - Hopper Lift Arms Group	2-18	Fig. 45 - Engine Fuel Tank Group, Gasoline (000000-013227)	2-94
Fig. 10 - Hopper and Dump Door Group	2-20	Fig. 46 - Engine Fuel Tank Group, Gasoline (013228-013999)	2-96
Fig. 11 - Hopper Hood and Bumper Group	2-22	Fig. 47 - Engine Fuel Tank Group, Gasoline (014000-014999)	2-98
Fig. 12 - Hopper Filter Box Group	2-24	Fig. 48 - Engine Fuel Tank Group, Gasoline (015000- )	2-100
Fig. 13 - Hopper Cylinder and Dust Door Group	2-26	Fig. 49 - Engine Fuel Tank Group, LPG (000000-013227)	2-102
Fig. 14 - Hopper Solenoid Valve Group	2-28	Fig. 50 - Engine Fuel Tank Group, LPG (013228-013999)	2-104
Fig. 15 - Vacuum Fan Group, Sweeper	2-30	Fig. 51 - Engine Fuel Tank Group, LPG (014000-014999)	2-106
Fig. 16 - Hopper Pressure Switch Group	2-32	Fig. 52 - Engine Fuel Tank Group, LPG (015000- )	2-108
Fig. 17 - Engine and Alternator Group (000000-013227)	2-34	Fig. 53 - Engine Radiator and Hydraulic Cooler Group (000000-012179)	2-110
Fig. 18 - Engine Mount Group (000000-013227)	2-36	Fig. 54 - Engine Radiator and Hydraulic Cooler Group (012180-013227)	2-112
Fig. 19 - Engine Group (013228-013999)	2-38	Fig. 55 - Engine Radiator and Hydraulic Cooler Group (013228- )	2-114
Fig. 20 - Engine Group (014000-014999)	2-40	Fig. 56 - Engine Radiator Housing and Fan Motor Group (000000-014999)	2-116
Fig. 21 - Engine Group (015000- )	2-42	Fig. 57 - Engine Radiator Housing and Fan Motor Group (015000- )	2-118
Fig. 22 - Engine Alternator Group (013228-013999)	2-44	Fig. 58 - Engine Radiator Hose and Hydraulic Filter Group (000000-013227)	2-120
Fig. 23 - Engine Alternator Group (014000-014999)	2-46	Fig. 59 - Engine Radiator Hose and Hydraulic Filter Group (013228-013999)	2-122
Fig. 24 - Engine Alternator Group (015000- )	2-48	Fig. 60 - Engine Radiator Hose and Hydraulic Filter Group (014000-014999)	2-124
Fig. 25 - Engine Oil Filter and Drain Group (013228- )	2-50	Fig. 61 - Engine Radiator Hose and Hydraulic Filter Group (015000- )	2-126
Fig. 26 - Engine Carburetor & Governor Group, Gasoline (000000-013227)	2-52	Fig. 62 - Engine Battery Group	2-128
Fig. 27 - Engine EFI Group, Gas (013228-013999)	2-54	Fig. 63 - Wheel Group, Rear Drive	2-130
Fig. 28 - Engine EFI Group, Gas (014000-014999)	2-56	Fig. 64 - Wheels and Brakes Group, Front	2-132
Fig. 29 - Engine Electronic Fuel Ignition Group, Gas (015000- )	2-58	Fig. 65 - Brake Pedals Group	2-134
Fig. 30 - Engine Carburetor & Governor Group, LPG (000000-013227)	2-60	Fig. 66 - Directional Control Group (000000-013227)	2-136
Fig. 31 - Engine Vaporizer Group, LPG (000000-013087)	2-62		
Fig. 32 - Engine Vaporizer Group, LPG (013088-013227)	2-64		
Fig. 33 - Engine EFI and Vaporizer Group, LPG (013228-013999 version 1)	2-66		
Fig. 34 - Engine EFI and Vaporizer Group, LPG (013228-013999 version 2)	2-68		
Fig. 35 - Engine Electronic Fuel Ignition and Vaporizer Group, LPG (014000-014999)	2-70		
Fig. 36 - Engine Electronic Fuel Ignition and Vaporizer Group, LPG (015000- )	2-74		

# STANDARD PARTS

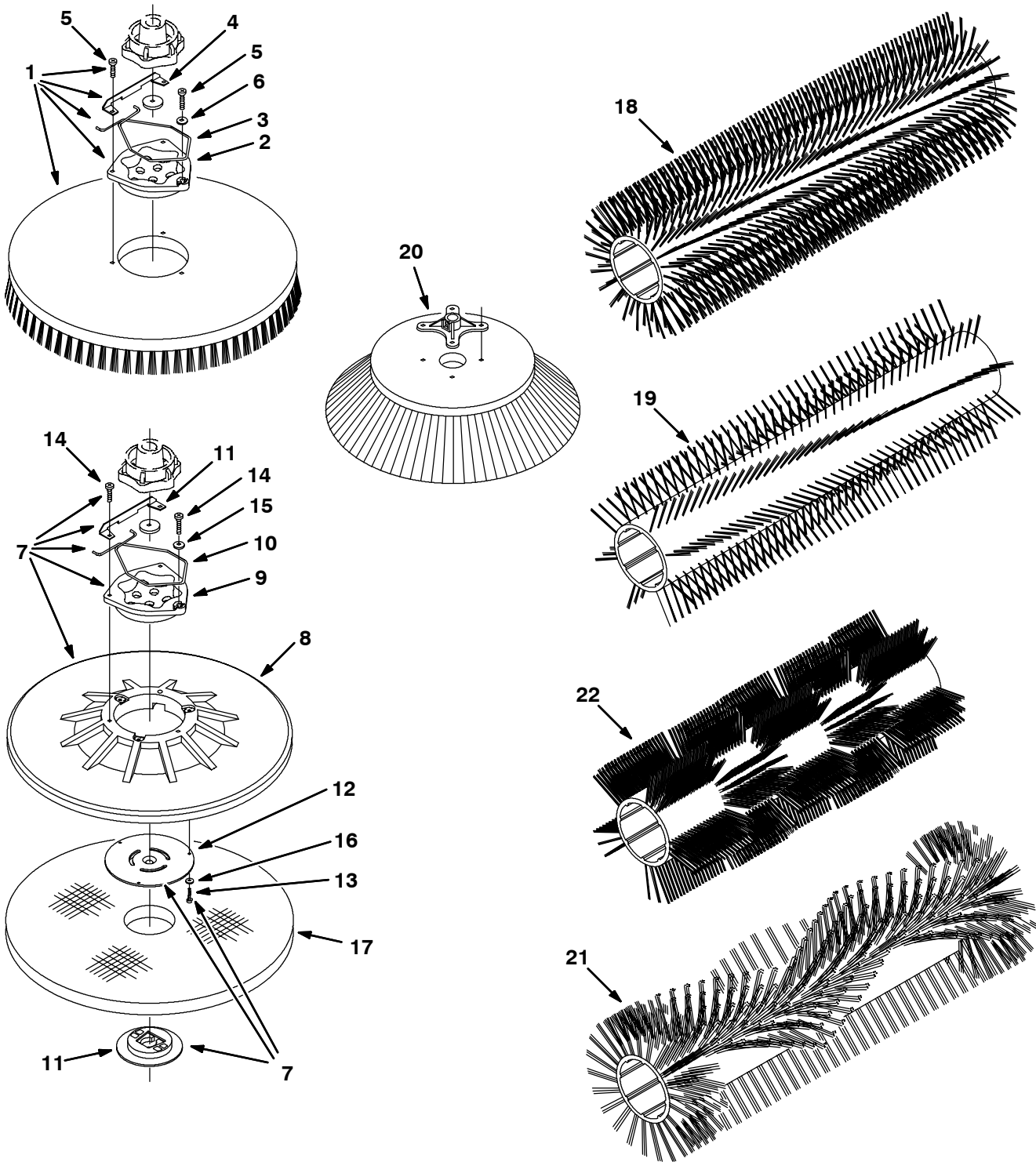
Contents	Page	Contents	Page
Fig. 67 - Directional Control Group (013228- )	2-138	Fig. 104 - Vacuum Fan Group, Scrubber (014000- )	2-216
Fig. 68 - Hydraulic Pumps Group (000000-013227)	2-140	Fig. 105 - Steering Group	2-218
Fig. 69 - Hydraulic Pumps Group (013228- )	2-142	Fig. 106 - Electrical Instrument Panel Assembly Main Group	2-220
Fig. 70 - Hydraulic Schematic	2-144	Fig. 107 - Electrical Instrument Panel Auxiliary Group	2-222
Fig. 71 - Hydraulic Hose Group (000000-013227)	2-148	Fig. 108 - Electrical Circuit Breaker and Relay Group	2-224
Fig. 72 - Hydraulic Hose Group (000000-013227)	2-150	Fig. 109 - Electrical Schematic (000000-013227)	2-226
Fig. 73 - Hydraulic Hose Group (013228- )	2-152	Fig. 110 - Electrical Schematic (013228-013999)	2-230
Fig. 74 - Hydraulic Hose Group (013228- )	2-154	Fig. 111 - Electrical Schematic (014000-014214)	2-236
Fig. 75 - Hydraulic Reservoir Group	2-156	Fig. 112 - Electrical Schematic (014215- )	2-242
Fig. 76 - Hydraulic Reservoir Group, LPG (015000- )	2-158	Fig. 113 - Wire Harnesses Group (000000-013227)	2-248
Fig. 77 - Sweeper Main Hydraulic Valve Group	2-160	Fig. 114 - Wire Harnesses Group (013228-013999)	2-258
Fig. 78 - Sweeper Side Brush Lift Group	2-162	Fig. 115 - Wire Harnesses Group (014000- )	2-266
Fig. 79 - Sweeper Side Brush Motor and Pivot Group	2-164	Fig. 116 - Wire Harnesses Group, Gas/LPG Engine (015000- )	2-279
Fig. 80 - Sweeper Main Brush Lift Group	2-166	Fig. 117 - Wire Harnesses Schematic, Gas Engine (015000- )	2-280
Fig. 81 - Sweeper Main Brush Drive Group	2-168	Fig. 118 - Wire Harnesses Schematic, LPG Engine (015000- )	2-283
Fig. 82 - Scrub Brush Frame Group	2-170	Fig. 119 - Wire Harnesses Group, Gas/LPG, Adaptor (015000- )	2-286
Fig. 83 - Scrub Brush Group, Left	2-172	Fig. 120 - Label Group	2-288
Fig. 84 - Scrub Brush Group, Center	2-174		
Fig. 85 - Scrub Brush Group, Right	2-176		
Fig. 86 - Scrub Hydraulic Control Solenoid Valve Group	2-178		
Fig. 87 - Scrub Right Side Squeegee Group	2-180		
Fig. 88 - Scrub Left Side Squeegee Group	2-182		
Fig. 89 - Scrub Rear Squeegee Linkage Group	2-184		
Fig. 90 - Scrub Rear Squeegee Lift Group	2-186		
Fig. 91 - Scrub Rear Squeegee Frame Group	2-188		
Fig. 92 - Scrub Solution Control Group (000000-013311)	2-190		
Fig. 93 - Scrub Solution Control Group (013312-014211)	2-192		
Fig. 94 - Scrub Solution Control Group (014212- )	2-194		
Fig. 95 - Scrub Solution Tank Group	2-196		
Fig. 96 - Scrub Recovery Tank Group	2-198		
Fig. 97 - Scrub Solution and Recovery Tank Drain Group	2-200		
Fig. 98 - FaST Solution Pump Group (014215- )	2-202		
Fig. 99 - FaST Air Pump and Detergent Group (014215- )	2-204		
Fig. 100 - FaST Foam Filter Group (014215- )	2-206		
Fig. 101 - FaST Electrical Group (014215- )	2-208		
Fig. 102 - Vacuum Fan Group, Scrubber (000000-013227)	2-212		
Fig. 103 - Vacuum Fan Group, Scrubber (013228-013999)	2-214		



Fig. 1 - General Recommended Maintenance Items

Ref.	Part No.	Serial Number	Description	Qty.
▽	72067	(000000-	) Maint. Kit, Skirts, 355 Line	1
▲	59687	(000000-	) Seal, Door, Dump, Side	2
▲	59688	(000000-	) Strap, Door, Dump, Side	2
▲	55864	(000000-	) Cord, Sponge	1
▲	59685	(000000-	) Seal, Door, Dump	1
▲	59686	(000000-	) Strap, Door, Dump	1
▽	72068	(000000-	) Maint. Kit, Seals 355 Line	1
▲	59680	(000000-	) Skirt, Lip	1
▲	59681	(000000-	) Skirt, Lip	1
▲	55890	(000000-	) Strap, Main Lip	1
▲	54089	(000000-	) Skirt, Side, Sbdc,	1
▲	54013	(000000-	) Plate, Retainer	1
▲	54014	(000000-	) Plate, Retainer, Front	1
▽	84079	(000000-	) Maint Kit, 400hr [8410 Gas, Ford]	1
▲	60846AM	(000000-	) Spark Plug	4
▲	39703-2	(000000-	) Filter Element,Oil	1
▲	58120	(000000-	) Filter Element, Air	1
▲	36050	(000000-	) Filter, Fuel	1
▲	65221	(000000-	) Element, Filter	1
▲	83692	(000000-	) Belt, V, 46.4l, Cogged [Hc38]	1
▲	84936	(000000-	) Belt, Timing, Cam Fd	1
▲	78730	(000000-	) Cap, Breather, Hyd, 8.5 Ds	1
▲	31613	(000000-	) Strainer, Hyd, 25 Gpm 100 Mesh	1
▽	84080	(000000-	) Maint Kit, 400hr [8410 Lpg, Ford]	1
▲	60846AM	(000000-	) Spark Plug	4
▲	39703-2	(000000-	) Filter Element,Oil	1
▲	58120	(000000-	) Filter Element, Air	1
▲	65221	(000000-	) Element, Filter	1
▲	83692	(000000-	) Belt, V, 46.4l, Cogged [Hc38]	1
▲	84936	(000000-	) Belt, Timing, Cam Fd	1
▲	78730	(000000-	) Cap, Breather, Hyd, 8.5 Ds	1
▲	31613	(000000-	) Strainer, Hyd, 25 Gpm 100 Mesh	1
	73995	(000000-	) Gasket	1
	65869-5	(000000-	) Oil, Hydr. 15/40	2
▽	398346	(000000-	) Maint Kit, 800hr [8410 Gas/Lpg/Dsl]	1
▲	59687	(000000-	) Seal, Door, Dump, Side	2
▲	59688	(000000-	) Strap	2
▲	55864	(000000-	) Seal, Rbr, Clsd, 1.50d 40.3l	1
▲	59686	(000000-	) Strap Bracket	1
▲	59680	(000000-	) Skirt, Neo, .12, 08.00w 40.76l, 05 Sl	1
▲	59681	(000000-	) Skirt, Neo, .18, 04.00w 40.76l, 05 Sl	1
▲	55890	(000000-	) Retainer, Skirt, Hppr, Rear	1
▲	54089	(000000-	) Skirt, Neo, .12, 05.88w 34.32l, 07 H&S	1
▲	54013	(000000-	) Retainer, Skirt, Hppr, Side, Rear	1
▲	54014	(000000-	) Retainer, Skirt, Hppr, Side, Front	1
	1021878	(014215-	) Detergent Pkg, 4 Liter, Sgl [Tco 665]	1

**Fig. 2 - Brushes, Replacement**



09058 - 8410

Ref.	Part No.	Serial Number	Description	Qty.
▽	1	05725	(000000- ) Brush Assy, Disk, Scb, 16.0 D, H.D. Polypropylene	3
▲	2	15539	(000000- ) Hub, Drive, Brush, Disk, 3hole 5.8bc[6t]	1
▲	3	14838	(000000- ) Spring, Wir, 0.16d, Brush Retaining	1
▲	4	24299	(000000- ) Bracket, Retainer, Spring	1
▲	5	32746	(000000- ) Screw, Pan, M6 X 1.0 X 35, Ss	3
▲	6	01684	(000000- ) Washer, Flat, 0.25, Ss	1

Fig. 2 - Brushes, Replacement

Ref.	Part No.	Serial Number	Description	Qty.
▽	1	05724	(000000- ) Brush Assy, Disk, Scb, 16.0 D, Soft Nylon	3
▲	2	15539	(000000- ) Hub, Drive, Brush, Disk, 3hole 5.8bc[6t]	1
▲	3	14838	(000000- ) Spring, Wir, 0.16d, Brush Retaining	1
▲	4	24299	(000000- ) Bracket, Retainer, Spring	1
▲	5	32746	(000000- ) Screw, Pan, M6 X 1.0 X 35, Ss	3
▲	6	01684	(000000- ) Washer, Flat, 0.25, Ss	1
▽	1	05726	(000000- ) Brush Assy, Disk, Scb, 16.0d, Super Abrasive	3
▲	2	15539	(000000- ) Hub, Drive, Brush, Disk, 3hole 5.8bc[6t]	1
▲	3	14838	(000000- ) Spring, Wir, 0.16d, Brush Retaining	1
▲	4	24299	(000000- ) Bracket, Retainer, Spring	1
▲	5	32746	(000000- ) Screw, Pan, M6 X 1.0 X 35, Ss	3
▲	6	01684	(000000- ) Washer, Flat, 0.25, Ss	1
▽	1	05036	(000000- ) Brush Assy, Disk, Scb, 16.0 D, Bassine 500	3
▲	2	15539	(000000- ) Hub, Drive, Brush, Disk, 3hole 5.8bc[6t]	1
▲	3	14838	(000000- ) Spring, Wir, 0.16d, Brush Retaining	1
▲	4	24299	(000000- ) Bracket, Retainer, Spring	1
▲	5	32746	(000000- ) Screw, Pan, M6 X 1.0 X 35, Ss	3
▲	6	01684	(000000- ) Washer, Flat, 0.25, Ss	1
▽	1	30241	(000000- ) Brush Assy, Disk, Scb, 16.0d, Polypropylene	3
▲	2	15539	(000000- ) Hub, Drive, Brush, Disk, 3hole 5.8bc[6t]	1
▲	3	14838	(000000- ) Spring, Wir, 0.16d, Brush Retaining	1
▲	4	24299	(000000- ) Bracket, Retainer, Spring	1
▲	5	32746	(000000- ) Screw, Pan, M6 X 1.0 X 35, Ss	3
▲	6	01684	(000000- ) Washer, Flat, 0.25, Ss	1
▽	7	370016	(000000- ) Disk Assy, Pad Drive, 16d Rep.By397916	3
▲	8	370076	(000000- ) Disk, Pad Drive,W/Face,16d Rep.By397976	1
▲	9	15539	(000000- ) Hub, Drive, Brush, Disk, 3hole 5.8bc[6t]	1
▲	10	14838	(000000- ) Spring, Wir, 0.16d, Brush Retaining	1
▲	11	24299	(000000- ) Bracket, Retainer, Spring	1
▲	12	370090	(000000- ) Retainer, Centering, Pad Rep.By370095	1
▲	13	09198	(000000- ) Screw, Pan, M4 X 0.7 X 35, Ss	3
▲	14	32746	(000000- ) Screw, Pan, M6 X 1.0 X 35, Ss	3
▲	15	01684	(000000- ) Washer, Flat, 0.25, Ss	1
▲	16	41579	(000000- ) Washer, Flat, #08, Ss	3
▲	17	370092	(000000- ) Pad, Stripping, 16.0d [Hi Prod 1pad=1pc]	3
	17	63248-1	(000000- ) Pad, Stripping, 16.0d, Brown [1pad=1pc]	3
	17	63248-2	(000000- ) Pad, Scb, 16.0d, Blu [1pad=1pc]	3
	17	63248-3	(000000- ) Pad, Buff, 16.0d, Red	3
	17	63248-4	(000000- ) Pad, Polish, 16.0d, White [1pad=1pc]	3
	18	54922	(000000- ) Brush, Swp, Nylon	1
	18	54927	(000000- ) Brush, Swp, Union mix Wire	1
	19	54923	(000000- ) Brush, Swp, Nylon	1
	19	54925	(000000- ) Brush, Swp, Polypropylene & Wire	1
	19	66018	(000000- ) Brush, Swp, Patrol, Nylon	1
	19	66019	(000000- ) Brush, Swp, Polypropylene	1
	19	59440	(000000- ) Brush, Swp, Wire	1
	19	69963	(000000- ) Brush, Swp, Polypropylene & Wire	1
	20	59431	(000000- ) Brush, Disk, Swp, Polypropylene	1
	20	59432	(000000- ) Brush, Disk, Swp, Flat Wire	1
	20	08013N	(000000- ) Brush, Disk, Swp, Nylon	1
	21	370008	(000000- ) Brush, Swp, 45l, Wedge, Polypropylene	1
	22	370009	(000000- ) Brush, Swp, 45l, Wndw, Polypropylene	1

Fig. 3 - Main Frame And Skirt Group

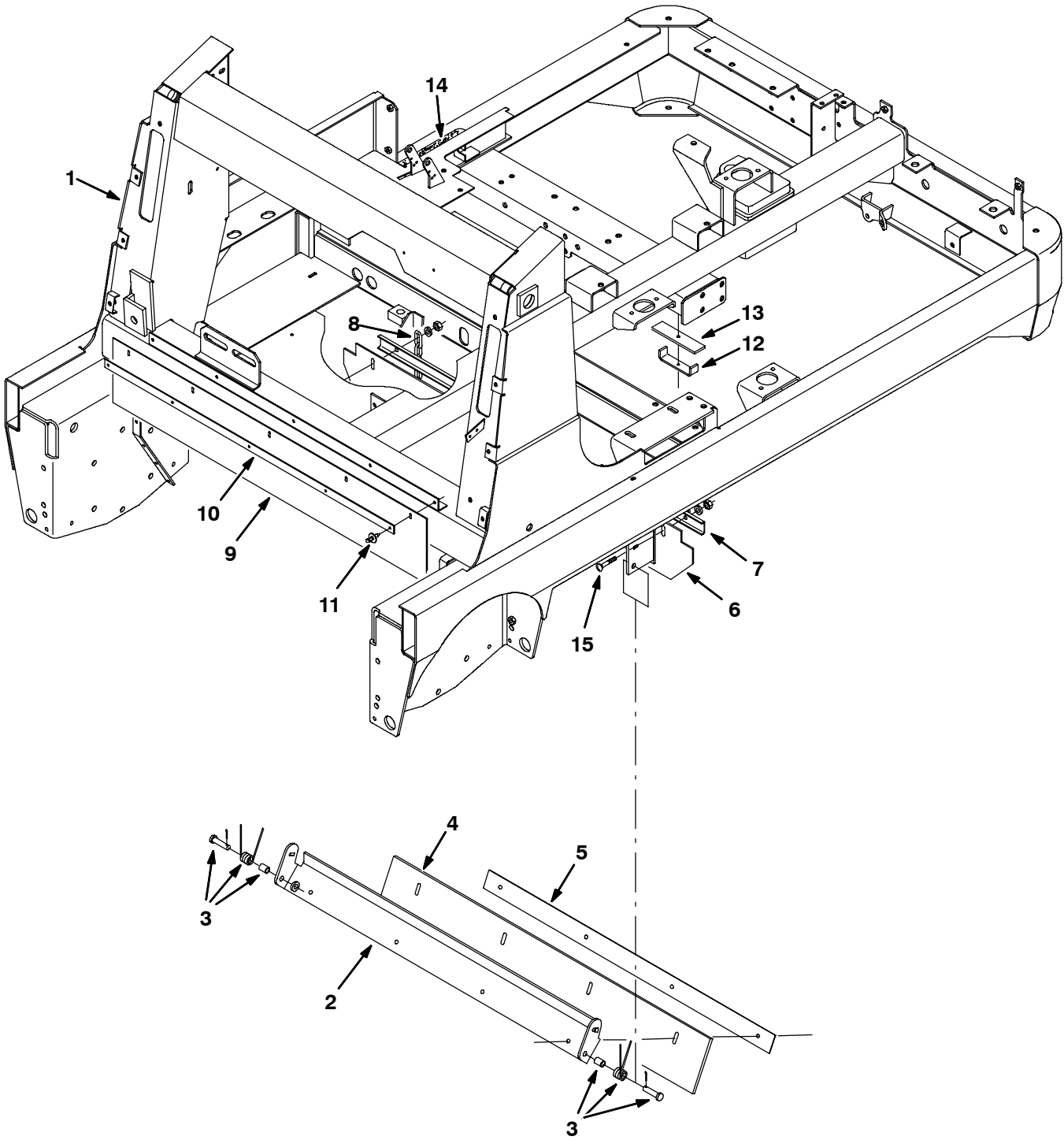


Fig. 3 - Main Frame And Skirt Group

Ref.	Part No.	Serial Number	Description	Qty.
1	83725	(000000-	) Frame Wldt	1
2	54182	(000000-	) Bracket, Flap, Recirculation	1
3	69904	(000000-	) Spring Assy, Recirculation	1
4	54190	(000000-	) Blade, Deflector	1
5	54184	(000000-	) Strip, Retainer, Seal	1
6	54197	(000000-	) Skirt, Seal Main Brush	1
7	54192	(000000-	) Channel, Retainer, Seal, Rear	1
8	09342	(000000-	) Chain, Link#2/0, 5 Links Plain	1
9	56872	(000000-	) Skirt,Hoppertop	1
10	56890	(000000-	) Strap, Backing Hopper	1
11	72968	(000000-	) Rivet, Plastic .250X.898	5
12	77297	(000000-	) Bracket, Hose, Clamp Down	1
13	77298	(000000-	) Isolator, Rubber .25X1.50X6.00	1
14	82839	(000000-	) Pad, Tread	1
15	69915	(000000-	) Bolt, Carrm 8X1.25	4

Fig. 4 - Main Frame Left Brush Door Group

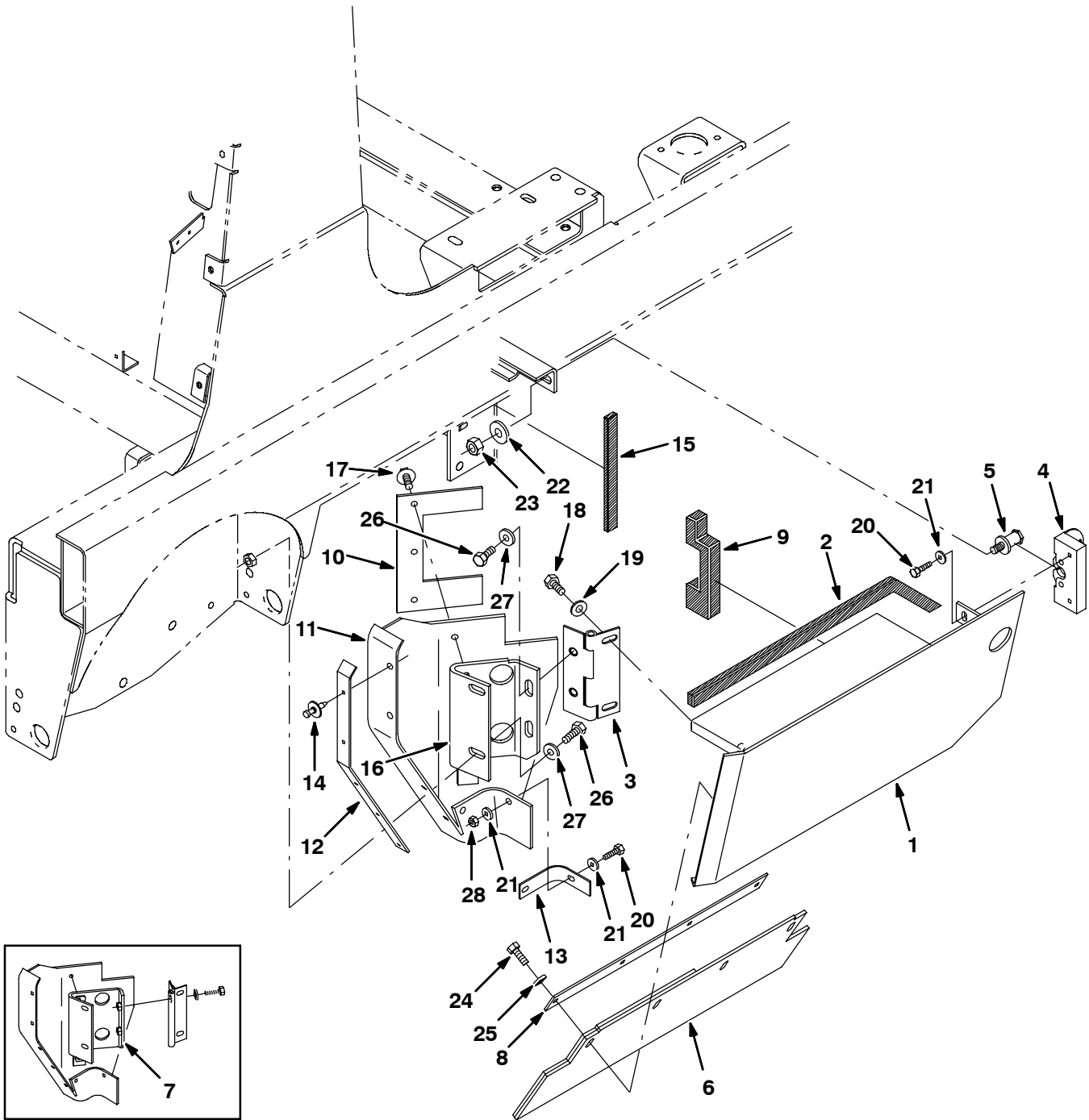


Fig. 4 - Main Frame Left Brush Door Group

Ref.	Part No.	Serial Number	Description	Qty.
1	72888	(000000-	) Door Wldt, Brush, Lh	1
2	69931	(000000-	) Seal, Foam Rubber	1
3	72120	(000000-	) Hinge, Door, Brush	1
4	59514	(000000-	) Latch	1
5	59192	(000000-	) Latch, Bolt	1
6	70275	(000000-	) Skirt, Brushdoor	1
7	9001245	(000000-014164	) Bracket Kit, Door Hinge, Ci, Lh	1
8	55433	(000000-	) Strip, Retainer, Skirt	1
9	59538	(000000-	) Seal, Door, Brush	1
10	59692	(000000-	) Strap, Deflector	1
11	72069	(000000-	) Skirt, Deflection	2
12	56914	(000000-	) Strap	2
13	58770	(000000-	) Strip, Retainer	2
14	72968	(000000-	) Rivet, Plastic .250X.898	5
15	375410	(000000-	) Seal, Foam Rubber	1
16	1020530	(014165-	) Bracket, Mtg, Hinge, Lh	1
17	76099	(014165-	) Screw, Hex, M8 X 1.25 X 25, Fmg	3
18	09291	(014165-	) Screw, Hex, M10 X 1.5 X 20, Ss	2
19	01686	(014165-	) Washer, Flat, 0.44b 1.00 .08, Ss	2
20	09007	(014165-	) Screw, Hex, M6 X 1.0 X 25, Ss	4
21	01684	(014165-	) Washer, Flat, 0.25 Ss	6
22	41619	(014165-	) Washer, Flat, 0.56b 1.38d .11, Ss	1
23	07788	(014165-	) Nut, Hex, Std, M12 X 1.75, Ss	1
24	09010	(014165-	) Screw, Hex, M8 X 1.25 X 25, Ss	4
25	01685	(014165-	) Washer, Flat, 0.31 Ss	4
26	09028	(014165-	) Screw, Hex, M10 X 1.5 X 25, Ss	4
27	01686	(014165-	) Washer, Flat, 0.44b 1.00 .08, Ss	4
28	08712	(014165-	) Nut, Hex, Lock, M6 X 1.0, Ss, NI	2

Fig. 5 - Main Frame Right Brush Door Group

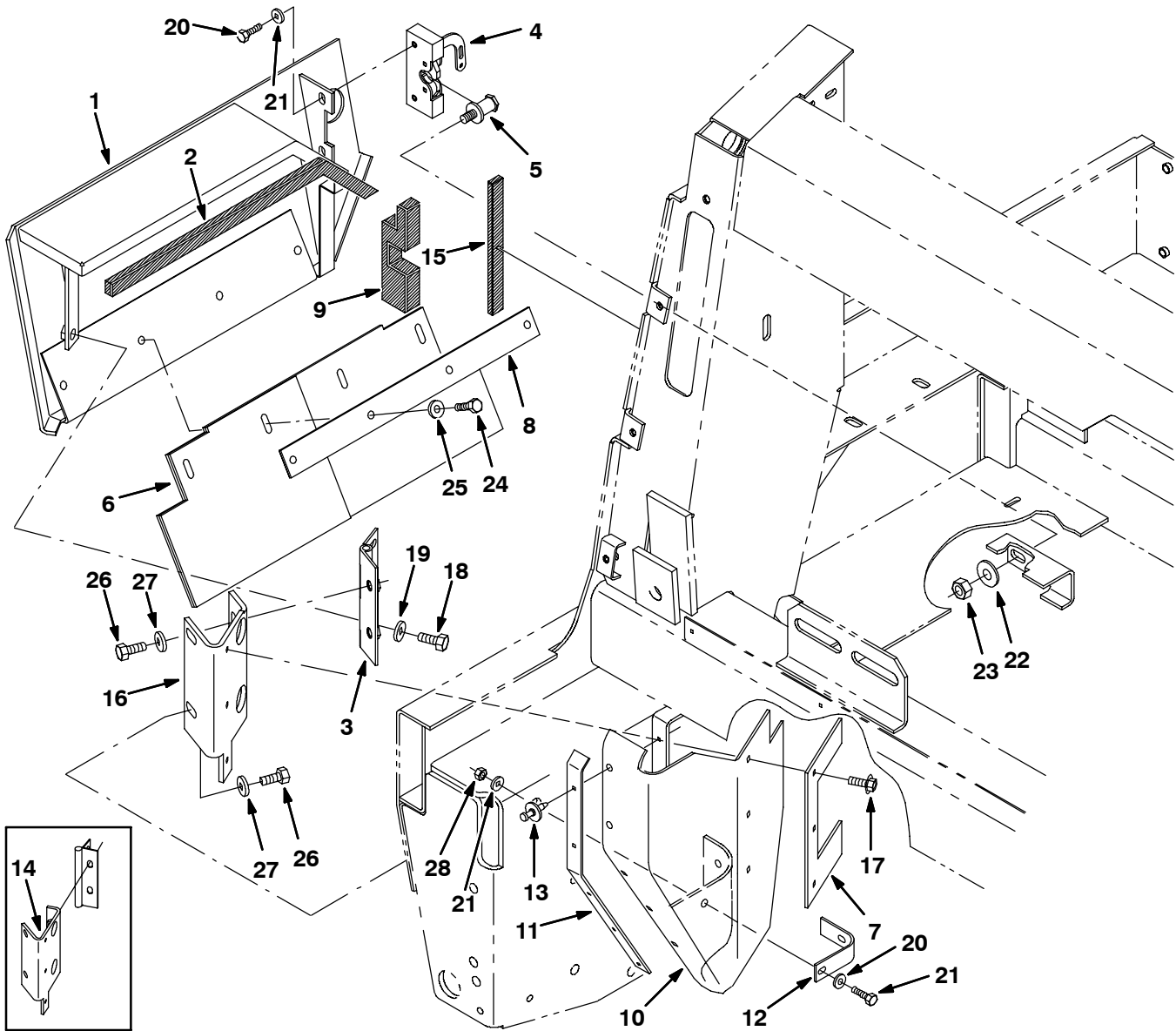




Fig. 5 - Main Frame Right Brush Door Group

Ref.	Part No.	Serial Number	Description	Qty.
1	72887	(000000-	) Door Wldt, Brush, Rh	1
2	69931	(000000-	) Seal, Foam Rubber	1
3	72120	(000000-	) Hinge, Door, Brush	1
4	72884	(000000-	) Latch, Hook	1
5	59192	(000000-	) Latch, Bolt	1
6	70276	(000000-	) Skirt, Brushdoor	1
7	59692	(000000-	) Strap, Deflector	1
8	55433	(000000-	) Strip, Retainer, Skirt	1
9	59537	(000000-	) Seal, Door, Brush	1
10	72069	(000000-	) Skirt, Deflection	1
11	56914	(000000-	) Strap	1
12	58770	(000000-	) Strip, Retainer	2
13	72968	(000000-	) Rivet, Plastic .250X.898	5
14	9001246	(000000-014164	) Bracket Kit, Door Hinge, Ci, Rh	1
15	375410	(000000-	) Seal, Foam Rubber	1
16	1019481	(014165-	) Bracket, Mtg, Hinge, Rh	1
17	76099	(014165-	) Screw, Hex, M8 X 1.25 X 25, Fmg	3
18	09291	(014165-	) Screw, Hex, M10 X 1.5 X 20, Ss	2
19	01686	(014165-	) Washer, Flat, 0.44b 1.00 .08, Ss	2
20	09007	(014165-	) Screw, Hex, M6 X 1.0 X 25, Ss	4
21	01684	(014165-	) Washer, Flat, 0.25 Ss	6
22	41619	(014165-	) Washer, Flat, 0.56b 1.38d .11, Ss	1
23	07788	(014165-	) Nut, Hex, Std, M12 X 1.75, Ss	1
24	09010	(014165-	) Screw, Hex, M8 X 1.25 X 25, Ss	4
25	01685	(014165-	) Washer, Flat, 0.31 Ss	4
26	09028	(014165-	) Screw, Hex, M10 X 1.5 X 25, Ss	4
27	01686	(014165-	) Washer, Flat, 0.44b 1.00 .08, Ss	4
28	08712	(014165-	) Nut, Hex, Lock, M6 X 1.0, Ss, NI	2

Fig. 6 - Main Frame Seat and Shroud Group

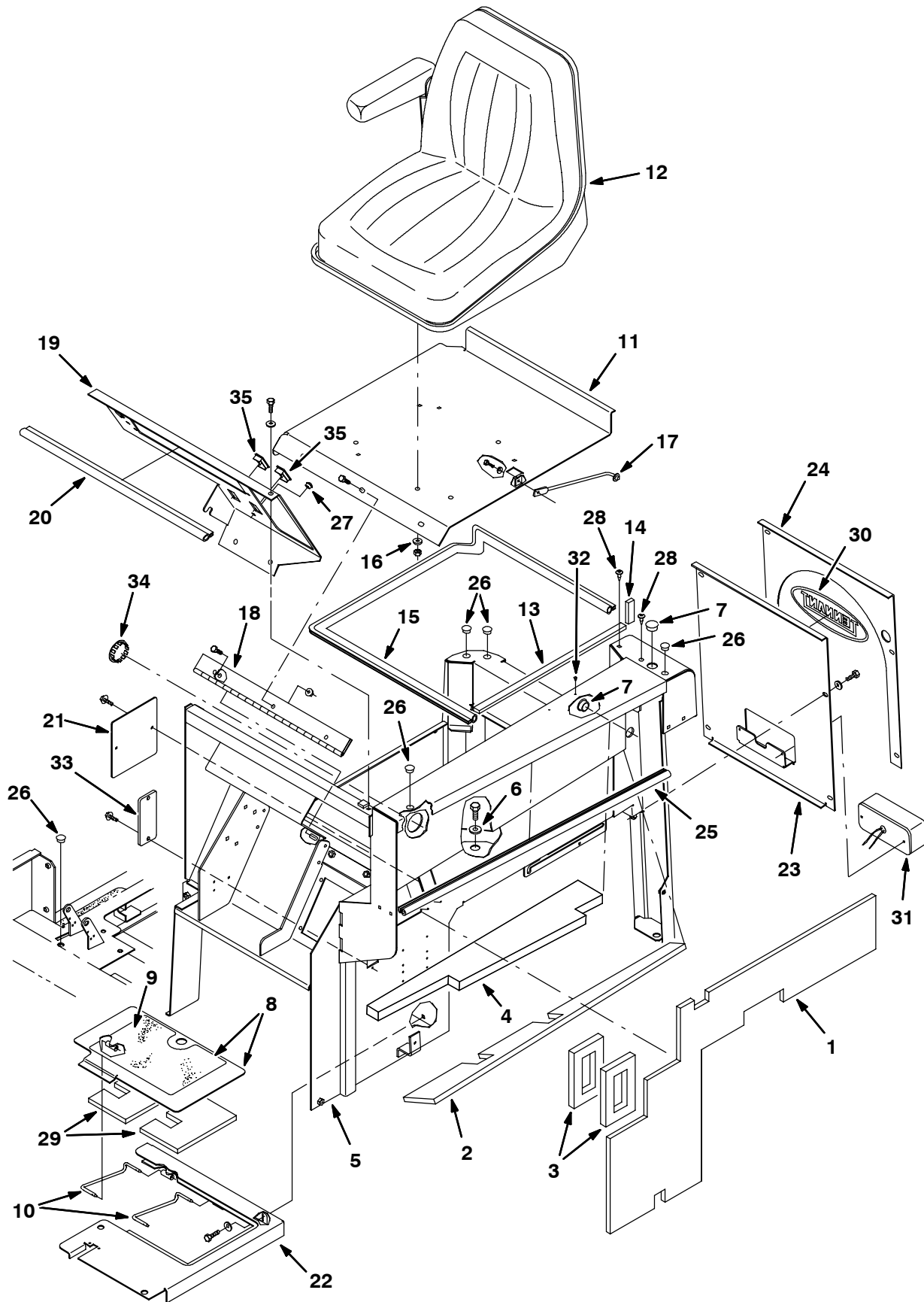


Fig. 6 - Main Frame Seat and Shroud Group

Ref.	Part No.	Serial Number	Description	Qty.	
1	84048	(000000-	) Insulation, Acoustic	1	
2	84049	(000000-	) Insulation Acoustic	1	
3	22775	(000000-	) Insulation, Acoustic .75Thk Ec	2	
4	84050	(000000-	) Insulation Acoustic	1	
5	9000595	(000000-	) Shroud Wldt, Station, Oprtr, W/Label	1	
6	13248	(000000-	) Washer .400B 1.12D .12Cr Znc	1	
7	01493	(000000-	) Plugbtn 1.00H .03-.12 Blacknyl	2	
▽	8	84098	(000000-	) Cover Wldt, Battery W/Tread	1
▲	9	32270	(000000-	) Tread, Floor, Non-Skid	1
10	77211	(000000-	) Rod, Hinge	2	
11	83772	(000000-	) Plate, Seat	1	
▽	12	77235	(000000-	) Seat, Michigan	1
▲		369810	(000000-	) Kit, Replacement, Armrest	1
▲		388134	(000000-	) Armrest, Molded	1
13	78855	(000000-	) Seal, Seat, Inner	1	
14	84040	(000000-	) Seal, Ure .50 X .75 X 2.5L	1	
15	84039	(000000-	) Seal, Bulb, Sd-0106 65.00 Lg	1	
16	41186	(000000-	) Washer-Belleville .31 Pltd	4	
17	54615	(000000-	) Rod, Seat	1	
18	75272	(000000-	) Hinge, Seat	1	
19	1022388	(000000-	) Panel, Instmt, Upper, [8410]	1	
20	84041	(000000-	) Seal, Bulb, Sd-0168 25.00 Lg	1	
21	83822	(000000-	) Cover, Linkage, Brush Pressure, Ce	1	
22	10620	(000000-	) Plate Wldt, Floor	1	
23	10642	(000000-	) Door, Rear, Rh	1	
24	10644	(000000-	) Door, Rear, Lpg, Rh	1	
25	83842	(000000-	) Seal, Bulb, Sd-0106 36.10 Lg	1	
26	01314	(000000-	) Plugbtn .38H .03-.12 Blacknyl	5	
27	56992	(000000-	) Plugbtn .50H .03-.12 Blacknyl	1	
28	72970	(000000-	) Rivet, Plastic .250Dx.898	2	
29	72814	(000000-	) Insulation, Acoustic	2	
30	09806	(000000-	) Label, Tennant Logo-10.5 Blue	1	
84030 ▽	31	<del>59949</del>	(000000-	) Taillight Assy	1
▲		<del>45780</del>	( <del>000000-</del> )	<del>Bulb, 12V .5A</del>	<del>1</del>
32	02731	(000000-	) Canoe Clip	2	
33	22746	(000000-	) Pane, Plstc	1	
34	47178-6	(014215-	) Button, Plug, 2.00h .04-.19 [Chm Stil]	1	
35	762521	(014215-	) Plug, Panl, Switch	2	

Fig. 7 - Main Frame Engine Side Door and Cover Group

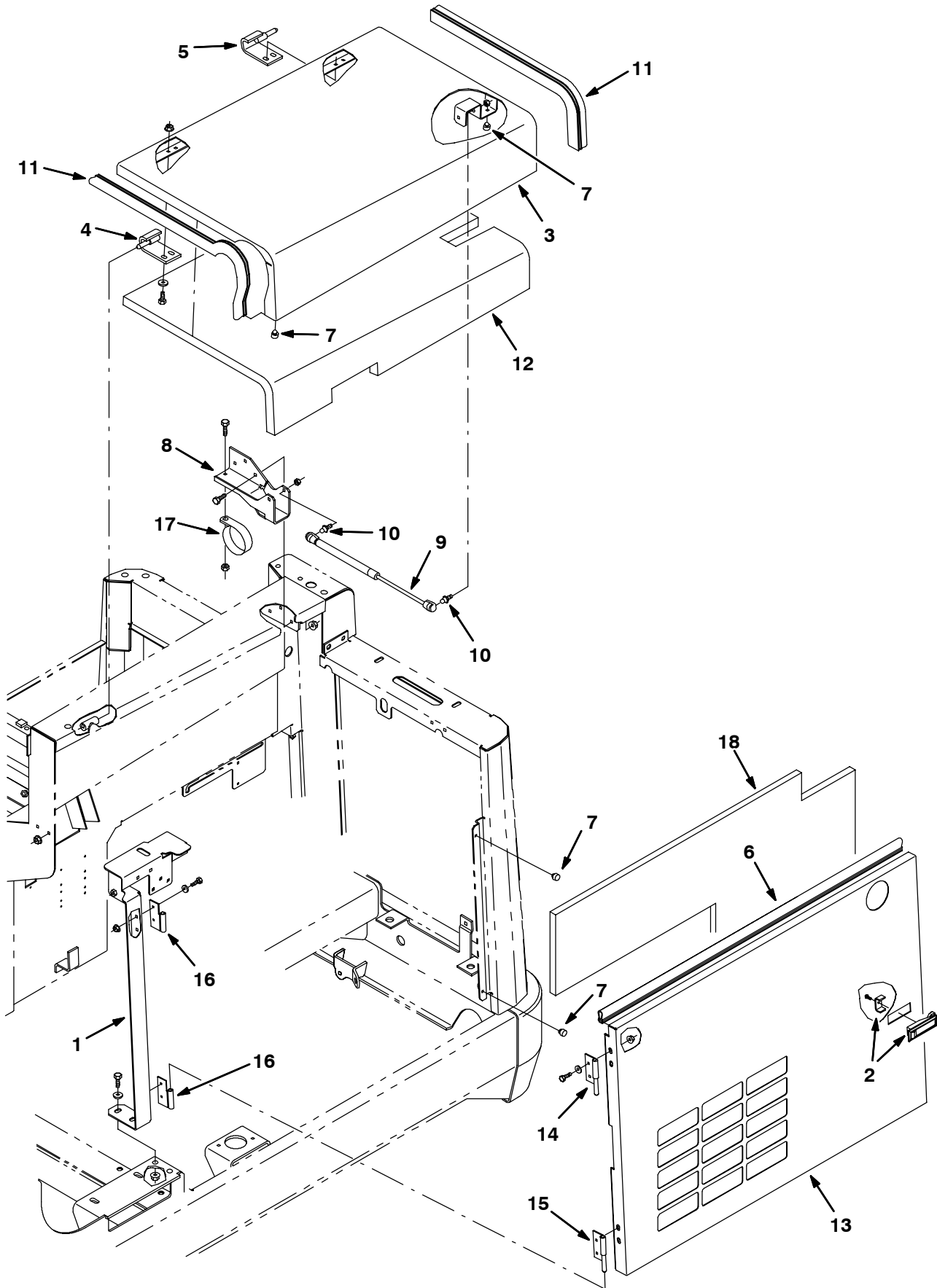


Fig. 7 - Main Frame Engine Side Door and Cover Group

Ref.	Part No.	Serial Number	Description	Qty.
1	84065	(000000-	) Angle Wldt, Panel	1
2	64533	(000000-	) Latch, Trigger	1
3	83827	(000000-	) Cover Wldt, Engine, Top	1
4	83816	(000000-	) Hinge Wldt, W/Pin Engine Cover	1
5	83839	(000000-	) Hinge Wldt, W/Pin Engine Cover	1
6	83843	(000000-	) Seal, Bulb, Sd-0504 40.25 Lg	1
7	51787	(000000-	) Bumper, Rubber	4
8	83856	(000000-	) Bracket, Mtg, Gas Spring	1
9	84018	(000000-	) Spring-Gas 90Lb 5.98Stroke	1
10	58494	(000000-	) Stud, Ball, Gas Spring	2
11	84035	(000000-	) Seal, Bulb, Sd-0504 27.12 Lg	2
12	83873	(000000-	) Insulation, S/Foam	1
13	1013944	(000000-	) Door, Eng, Side	1
14	70628	(000000-	) Hinge, W/Pin	1
15	64543	(000000-	) Hinge, W/Pin	1
16	64545	(000000-	) Hinge	2
17	34312	(000000-	) Clamp, Loop, 3.0 I.D.	1
18	1014136	(000000-	) Insulation, Acstc, 0.8 27.6w 40.7l	1

Fig. 8 - Main Frame Tank Panel Group

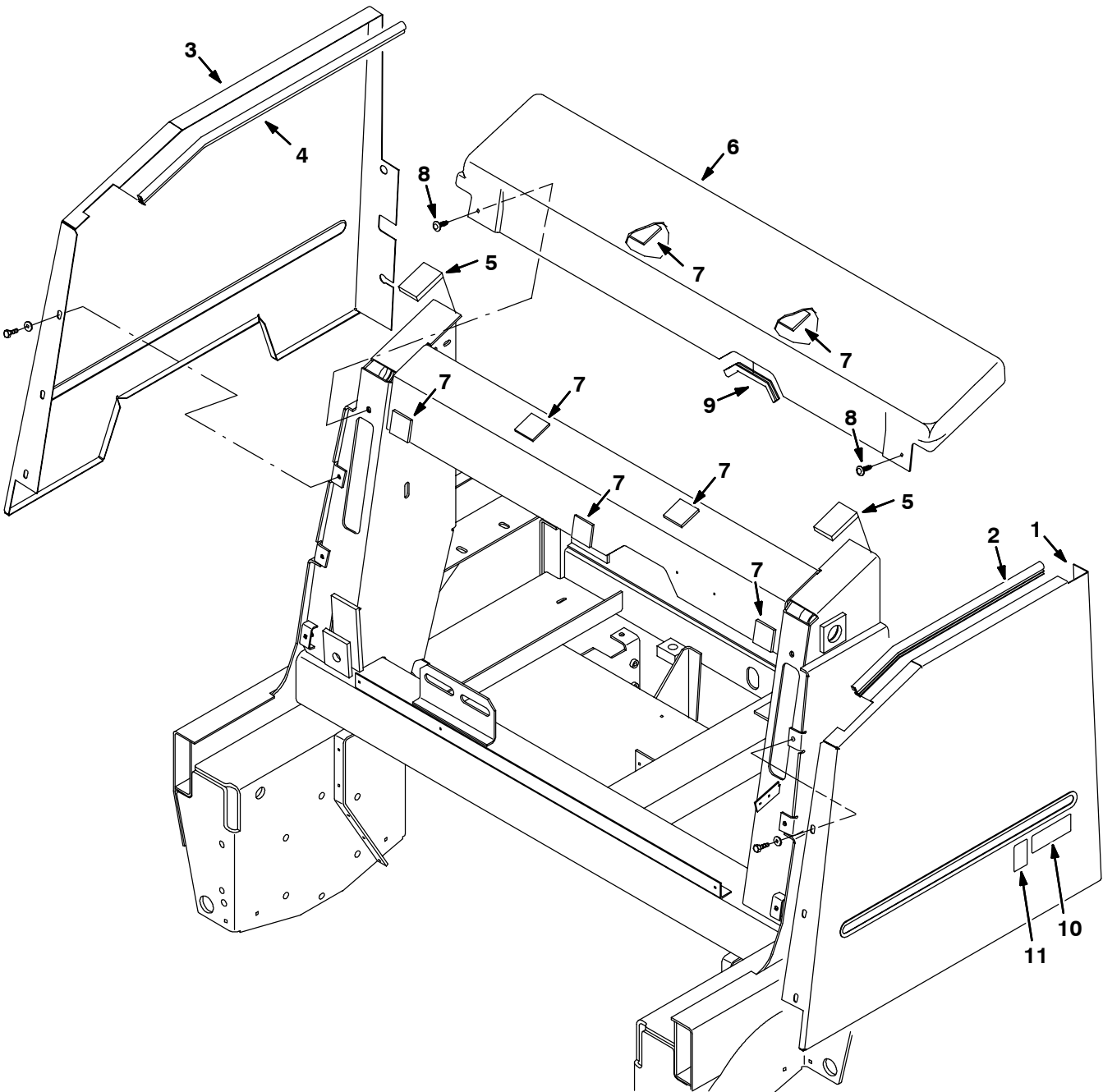


Fig. 8 - Main Frame Tank Panel Group

Ref.	Part No.	Serial Number	Description	Qty.
1	83775	(000000-	) Panel, Lh	1
2	84038	(000000-	) Seal, Bulb, Sd-0504 21.25 Lg	1
3	83778	(000000-	) Panel, Rh	1
4	84037	(000000-	) Seal, Bulb, Sd-0504 29.50 Lg	2
5	72824	(000000-	) Insulation, Acoustic	1
▽	6	84100	(000000-) Cover, Lintel 8410 W/Fasteners	1
▲	7	83979	(000000-) Fastener, Velcro 2.0W 2L T400	7
	8	84086	(000000-) Clip, Christmas Tree	2
	9	62595-16	(000000-) Molding, Trim 11-14Ga 8.50	1
	10	1005416	(014215-) Label, Fast	1
	11	1015012	(014215-) Label [Nfsi Certification]	1

Fig. 9 - Hopper Lift Arms Group

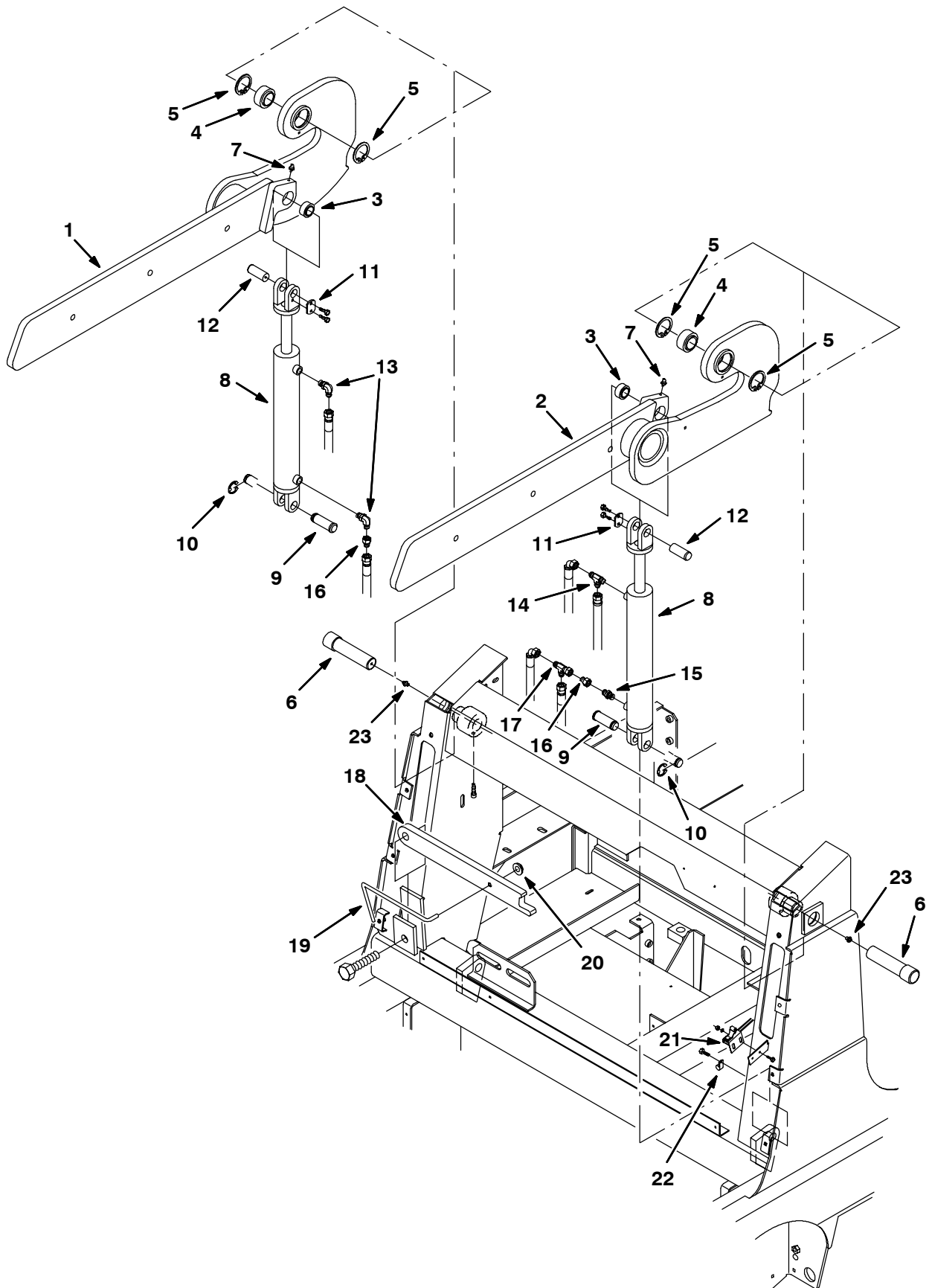




Fig. 9 - Hopper Lift Arms Group

Ref.	Part No.	Serial Number	Description	Qty.
1	78906	(000000-	) Arm Assy, Lift, Rh W/Label	1
2	78907	(000000-	) Arm Assy, Lift, Lh W/Label	1
3	73302	(000000-	) Bearing, Self Align, Sealed	2
4	72895	(000000-	) Bearing, Self Align, Sealed	2
5	59542	(000000-	) Ring, Retaining, Intl 2.00Dia	4
6	73068	(000000-	) Pin, Lift Arm	2
7	07259	(000000-	) Ftg, Grease.25-28Th Strt .47L	4
8	379120	(000000-	) Cylinder, Hyd 2.0B 12.0S 2500	2
9	73077	(000000-	) Pin, Clevis, Grooved	2
10	72899	(000000-	) Ring, Retaining, Ext, .88 Dia	2
11	72897	(000000-	) Plate, Pin, Clevis, Upper	2
12	72898	(000000-	) Pin, Clevis, Upper	2
13	77097	(000000-	) Ftg-Hyd E90 Jm04/Om04	2
14	34390	(000000-	) Ftg-Hyd Tee Jm04Jmom	1
15	55586	(000000-	) Ftg-Hyd Str Jm04/Om04	1
16	16455	(000000-	) Ftg-Hyd Rst Jm04/.047	2
17	57988	(000000-	) Ftg-Hyd Tee Jm04Jmjf	1
18	78936	(000000-	) Arm Assy, Safety W/Label	1
19	72805	(000000-	) Handle, Arm, Safety	1
20	59849	(000000-	) Nut, Retainer R/.312 Dia	1
21	59965	(000000-	) Switch, Roller	1
22	46236	(000000-	) Clamp-Cable	1
23	09718	(000000-	) Ftg, Grease.25-28Th 90 .75L	2

**Fig. 10 - Hopper and Dump Door Group**

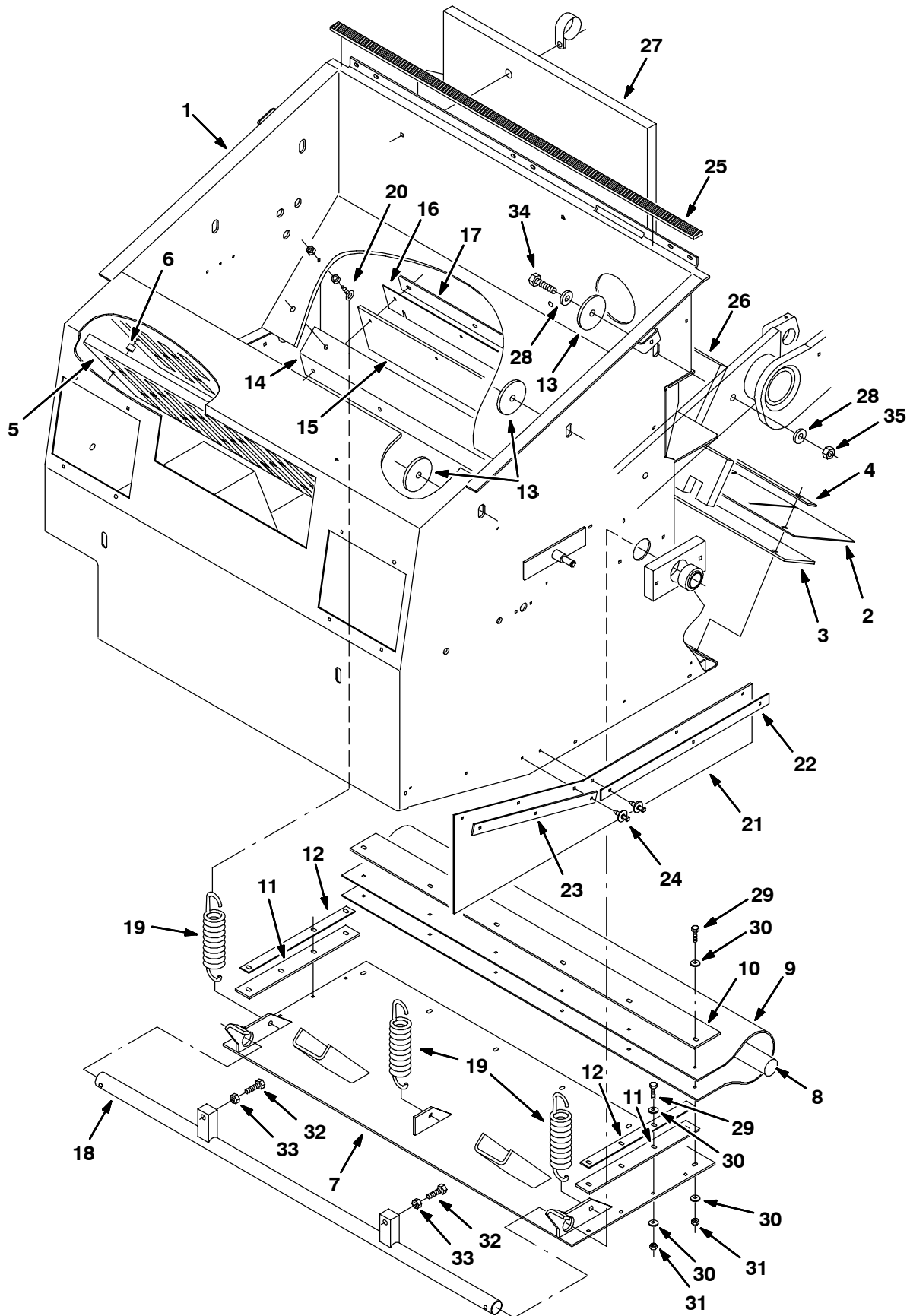


Fig. 10 - Hopper and Dump Door Group

Ref.	Part No.	Serial Number	Description	Qty.
1	21211	(000000-	) Hopper Wldt	1
2	59680	(000000-	) Skirt, Lip	1
3	59681	(000000-	) Skirt, Lip	1
4	55890	(000000-	) Strap, Main Lip	1
5	55021	(000000-	) Panel, Perma-Filter	1
6	82483	(000000-	) Tube,Spacer,.41Dx.32Bx1.OI	2
7	374507	(000000-	) Door, Dump	1
8	55864	(000000-	) Cord, Sponge	1
9	59685	(000000-	) Seal, Door, Dump	1
10	59686	(000000-	) Strap, Door, Dump	1
11	59687	(000000-	) Seal, Door, Dump, Side	2
12	59688	(000000-	) Strap, Door, Dump, Side	2
13	72159	(000000-	) Washer, .562B 3.03D .25Hr.Znc	6
14	55879	(000000-	) Angle, Hopper	1
15	58103	(000000-	) Seal, Door, Hopper	1
16	59105	(000000-	) Seal, Door, Hopper	1
17	55884	(000000-	) Strap	1
18	55889	(000000-	) Rod Wldt, Pivot	1
19	55892	(000000-	) Spring, Tension	3
20	11893	(000000-	) Bolt-Eye, .25-20Zinc.56D 2.00L	3
21	54089	(000000-	) Skirt, Side, Sbdc,	1
22	54013	(000000-	) Plate, Retainer	1
23	54014	(000000-	) Plate, Retainer, Front	1
24	72968	(000000-	) Rivet, Plastic .250X.898	6
25	72071	(000000-	) Seal, Foam Rubber	1
26	72980	(000000-	) Insulation, Acoustic, Hopper,	1
27	72981	(000000-	) Insulation,Acoustic,Hopper,Upp	1
28	36328	(000000-	) Washer-Belleville .50 Pltd	12
29	09007	(000000-	) Screw, Hex, M6 X 1.0 X 25, Ss	14
30	32490	(000000-	) Washer, Flat, 0.25 Std	28
31	08708	(000000-	) Nut, Hex, Lock, M6 X 1.0, NI	14
32	33612	(000000-	) Screw, Hex, M10 X 1.25 X 35, 8.8	2
33	66185	(000000-	) Nut, Hex, Std, M10 X 1.25	2
34	73377	(000000-	) Screw, Hex, M12 X 1.75 X 60, 10.9	6
35	08711	(000000-	) Nut, Hex, Lock, M12 X 1.75,NI	6

Fig. 11 - Hopper Hood and Bumper Group

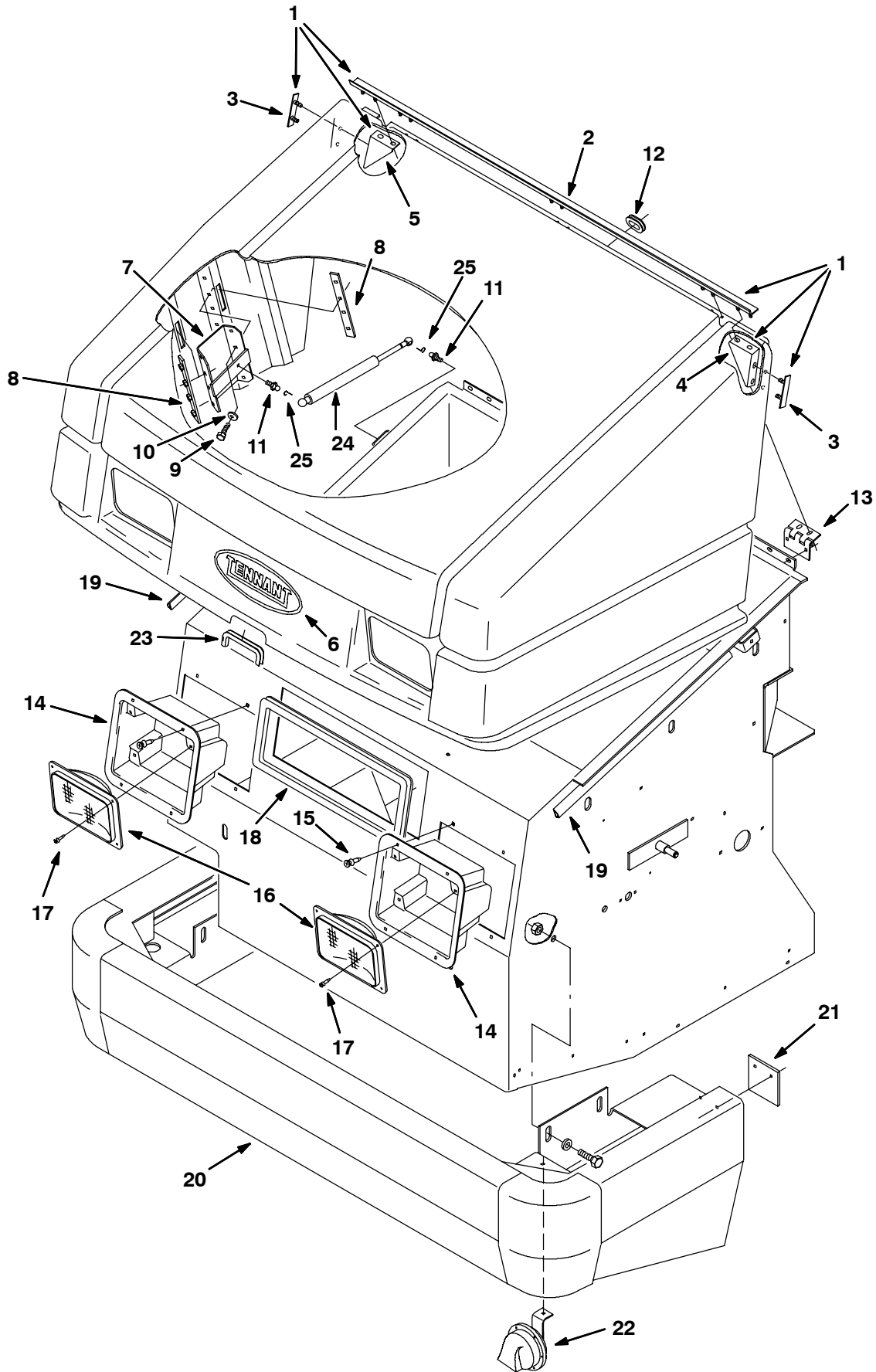


Fig. 11- Hopper Hood and Bumper Group

Ref.	Part No.	Serial Number	Description	Qty.
▽	1	10688	(000000- ) Cover Assy, Hppr	1
▲	2	59442	(000000- ) Strip, Mtg	1
▲	3	59738	(000000- ) Strip, Mtg, Gusset	2
▲	4	59737	(000000- ) Bracket, Gusset, Corner, Lh	1
▲	5	59739	(000000- ) Bracket, Gusset, Corner, Rh	1
	6	17200	(000000- ) Label, Logo, Tennant, Oval, 254l,Blu/Grn	1
▽		70182	(000000- ) Bracket Kit, Spring, Replmt	1
▲	7	70185	(000000- ) Bracket Wldt, Spring, Gas, Hppr Cover	2
▲	8	70178	(000000- ) Plate Wldt, Backing	4
▲	9	12274	(000000- ) Screw, Hex, M6 X 1.0 X 20, 8.8, NI	2
▲	10	32490	(000000- ) Washer, Flat, 0.25 Std	4
	11	58494	(000000- ) Stud, Ball, .39d .31-16, Gasspring	4
	12	10632-1	(000000- ) Grommet, Rbr, 1.06id, F/1.4h, .19 Matl	1
	13	58500	(000000- ) Hinge, .25pin .13 2.7w 03.0l 4/H&S	3
	14	59004	(000000- ) Housing, Headlight, Hppr	2
	15	72971	(000000- ) Rivet, Plstc, .325d X 0.787	8
	16	58524	(000000- ) Headlight, 12vdc, 50watt [#70744]	2
	17	72969	(000000- ) Rivet, Plstc, .181d X 0.720	8
	18	74409	(000000- ) Seal, Lip, 90, 1.3w . Grip 050.0l	1
	19	77375	(000000- ) Duct, Vyl, 0.40 X 0.75 .25d 24.0l	2
	20	72065	(000000- ) Bumper Wldt, Front	1
	21	59448	(000000- ) Skirt, Neo, .25, 03.50w 03.50l, 02 Hole	2
	22	369704	(000000- ) Horn, 12vdc, Dbw [Wolo]	1
	23	62595-6	(000000- ) Molding, Trim, Pvc, .08-.11 07.5l	1
	24	64535	(000000- ) Gasspring, 120lb, 7.1strk	2
	25	64595	(000000- ) Clip, Safety, Gasspring	4

Fig. 12 - Hopper Filter Box Group

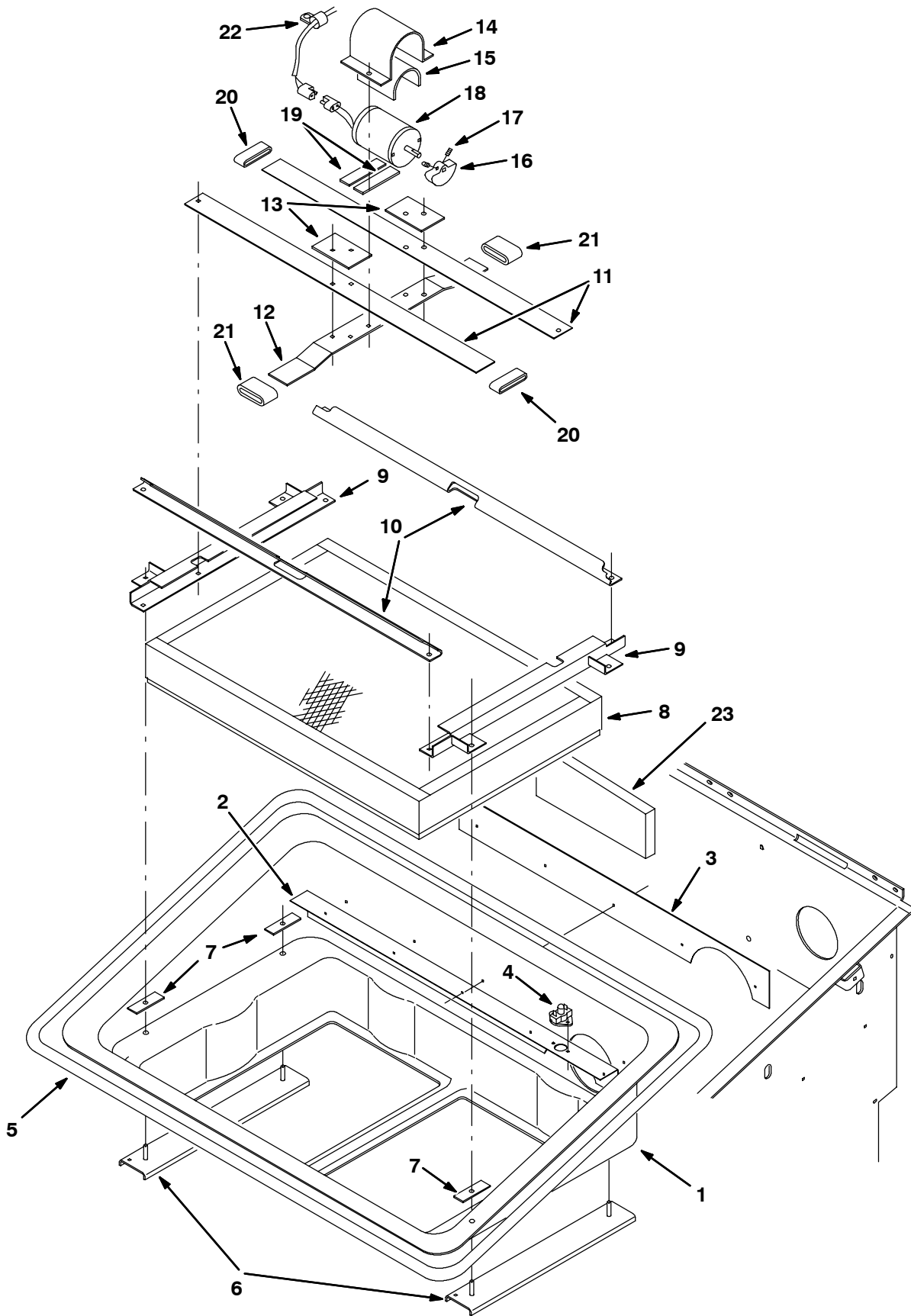


Fig. 12 - Hopper Filter Box Group

Ref.	Part No.	Serial Number	Description	Qty.
1	73323	(000000-	) Tray, Filter Carrier	1
2	73322	(000000-	) Angle, Stiffener, Tray, Filter	1
3	73321	(000000-	) Plate, Stiffener, Tray, Filter	1
4	02712	(000000-	) Thermostat Assembly, 140 Deg	1
5	79425	(000000-	) Seal, Bulb 140.0 Lg	1
6	73320	(000000-	) Plate, Mounting, Shaker Filter	4
7	56610	(000000-	) Plate	4
8	12962	(000000-	) Filter, PKG, Panel, 94 Pleats	1
9	59545	(000000-	) Bracket	2
10	53786	(000000-	) Bracket, Filter	2
11	58482	(000000-	) Spring, Shaker	2
12	58483	(000000-	) Bar, Shaker	1
13	82475	(000000-	) Bar, Shaker Spring	2
14	36666	(000000-	) Strap, Motor, Shaker	1
15	36658	(000000-	) Bar-Flt .06T 4.00W 5.00L, Rbr	1
16	55130	(000000-	) Weight, Eccentric	1
17	20634	(000000-	) Scr-Set 10-24X0.25 Nylon Loc	2
18	54121	(000000-	) Motor, Elec Shaker 12V	1
19	36661	(000000-	) Bar-Flt .06T 1.00W 4.00L, Rbr	2
20	36663	(000000-	) Sleeve, 1.12B 1.38D 1.00 Rubber	2
21	36665	(000000-	) Sleeve, 1.12B 1.62D 1.50 Rubber	2
22	46236	(000000-	) Clamp-Cable, 0.25D 0.56W Stl	1
23	59629	(012313-	) Insulation, Acoustic	1

Fig. 13 - Hopper Cylinder and Dust Door Group

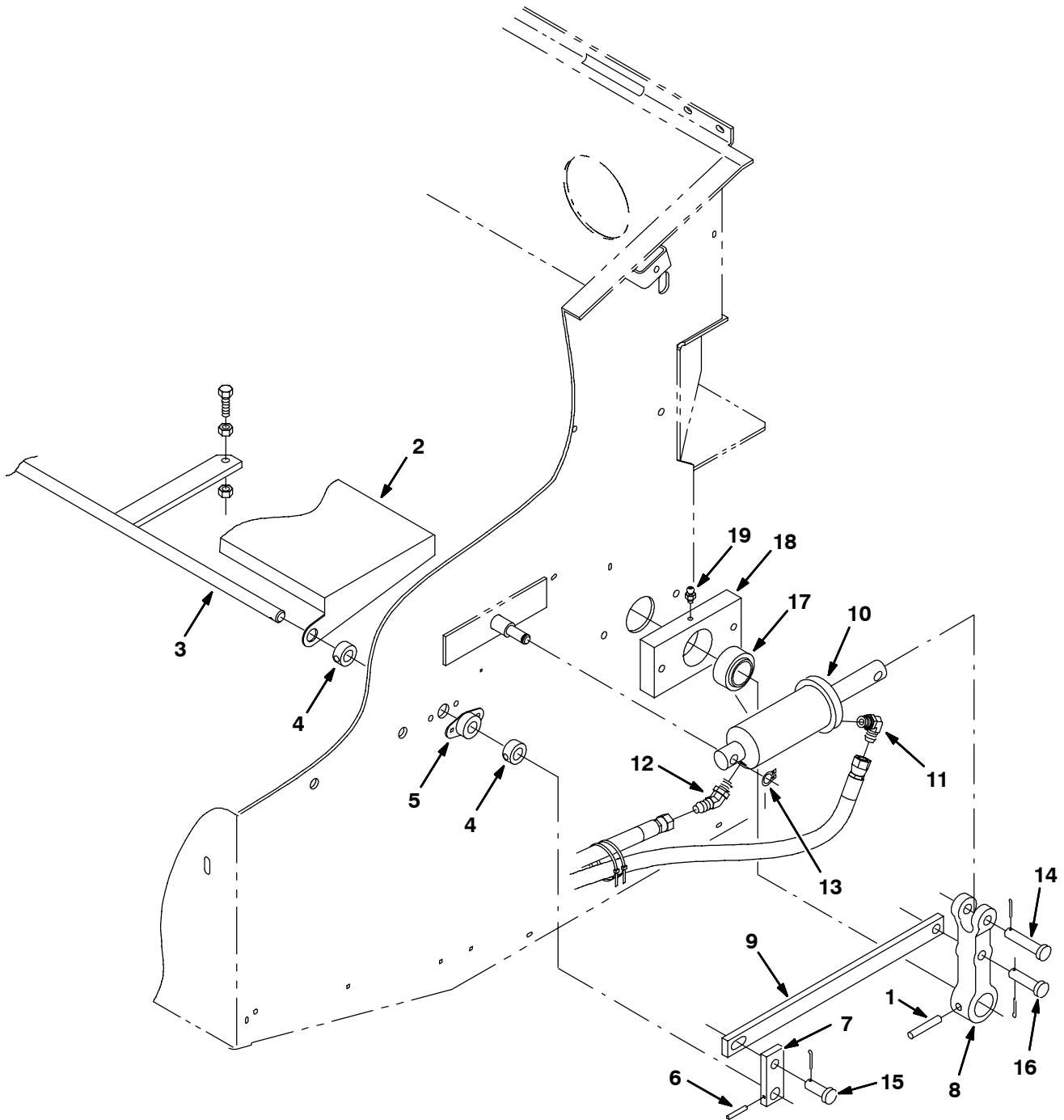




Fig. 13 - Hopper Cylinder and Dust Door Group

Ref.	Part No.	Serial Number	Description	Qty.
1	51317	(000000-	) Pin, Roll, .38Odx2.00L, .375/.382	2
2	53910	(000000-	) Door, Dust	1
3	53915	(000000-	) Rod	1
4	34725	(000000-	) Collar, Locking, Plated	4
5	34096	(000000-	) Bearing-Flange, 2 Hole .625Bore	2
6	26103	(000000-	) Pin, Roll, .18Odx1.25L, .187/.192	2
7	59966	(000000-	) Bar, Link	2
8	78787	(000000-	) Yoke, Pivot, Machining	2
9	55893	(000000-	) Bar, Link	2
10	54096	(000000-	) Cylinder-Hyd2.0X4.0Da2500Psi	2
11	77097	(000000-	) Ftg-Hyd E90 Jm04/Om04	2
12	34359	(000000-	) Ftg-Hyd E45 Jm04/Om04	2
13	23524	(000000-	) Ring, Retain, Ex, 0.50Od, Selflock	2
14	11211	(000000-	) Pin, Clevis .50 Dia X 2.25 Lg	2
15	58078	(000000-	) Pin, Clevis, .50 Dia X 1.25 Lg	2
16	51534	(000000-	) Pin, Clevis, 0.50 Dia. X 2.00 Lg	2
17	42120-1	(000000-	) Bearing-Self Align 1.250 Bore	2
18	55914	(000000-	) Hub, Pivot	2
19	47801	(000000-	) Ftg, Grease.25-28Th Strt .63L	2

Fig. 14 - Hopper Solenoid Valve Group

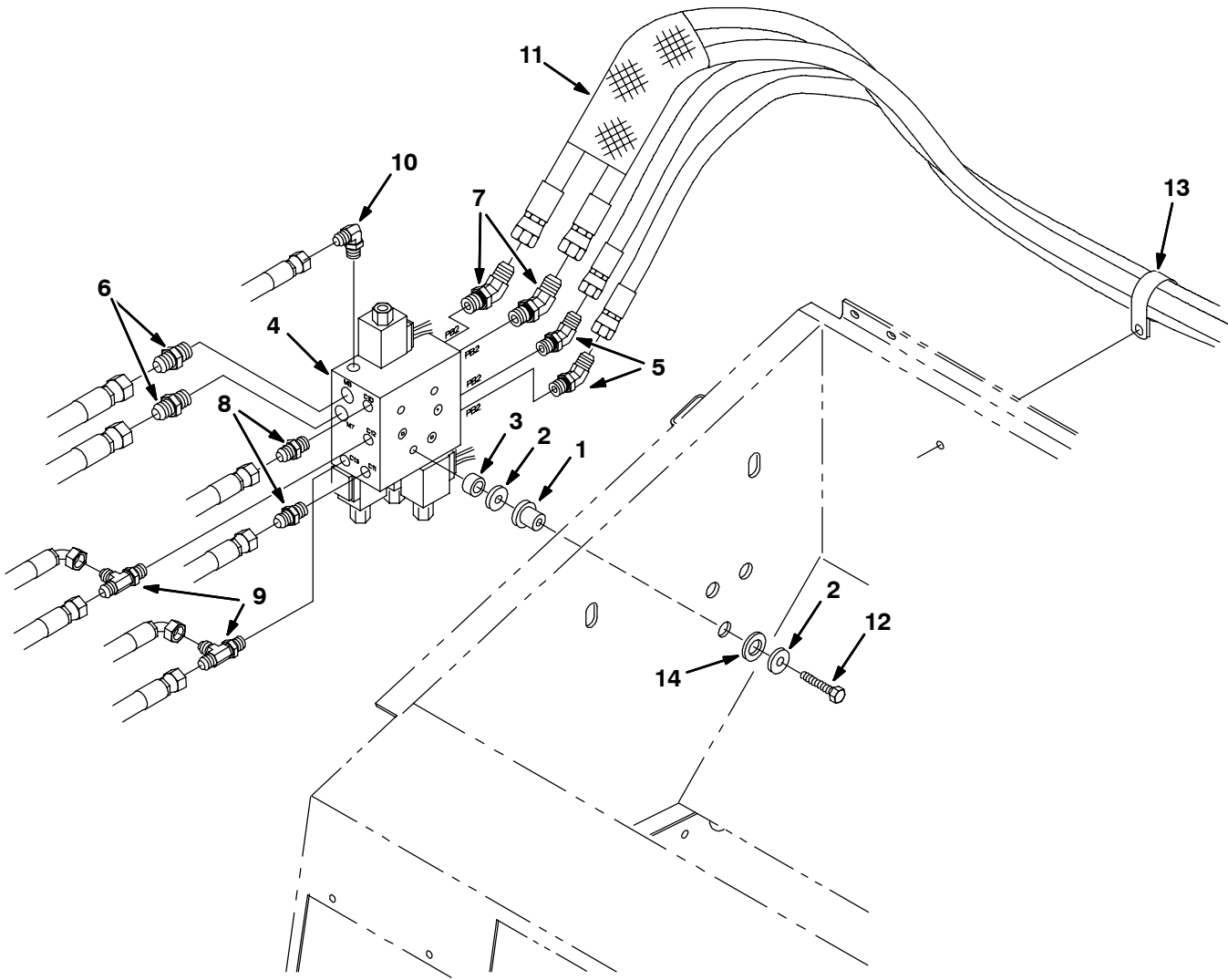


Fig. 14 - Hopper Solenoid Valve Group

Ref.	Part No.	Serial Number	Description	Qty.
1	54274	(000000-	) Isolator-Vibration, 125Lb. Ratng	3
2	13248	(000000-	) Washer .400B 1.12D .12Cr Znc	6
3	82229	(000000-	) Sleeve, .562B .88D .50 Znc	3
4	84011	(000000-	) Valve, Hyd Cntrl Sol (See Breakdowns)	1
5	34359	(000000-	) Ftg-Hyd E45 Jm04/om04	2
6	44869	(000000-	) Ftg-Hyd Str Jm08/om08	2
7	42226	(000000-	) Ftg-Hyd E45 Jm08/om08	2
8	55586	(000000-	) Ftg-Hyd Str Jm04/om04	2
9	34390	(000000-	) Ftg-Hyd Tee Jm04Jmom	2
10	77097	(000000-	) Ftg-Hyd E90 Jm04/om04	1
11	50121	(000000-	) Sleeve, Nyln	1
12	73399	(000000-	) Scr-Hex M8X1.5 50	3
13	86328	(000000-	) Clamp-Cable 1.50D 1.00W STL	1
14	39350	(000000-	) Washer Flt .75 SAE	3

Fig. 15 - Vacuum Fan Group, Sweeper

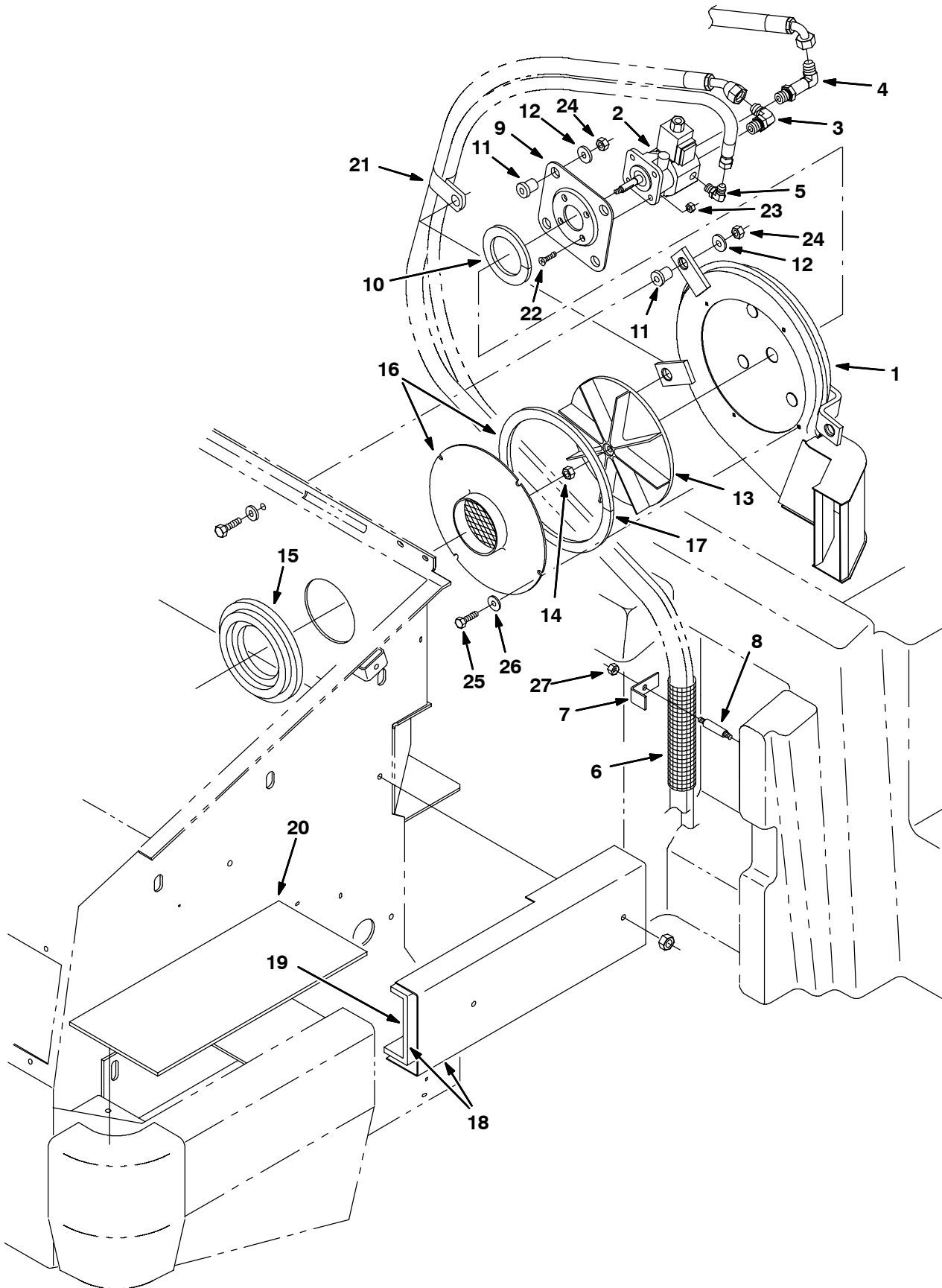


Fig. 15 - Vacuum Fan Group, Sweeper

Ref.	Part No.	Serial Number	Description	Qty.	
1	21207	(000000-	) Housing Wldt, Vacfan, 9.0d Impeller	1	
2	84009	(000000-	) Motor, Hyd, Gear, Ext 0.19 Lh 1800	1	
3	44868	(000000-	) Fitting, Hyd, E90, Jm08/Om08	1	
4	69173	(000000-	) Fitting, Hyd, E90, Jm08/Om08, L	1	
5	77097	(000000-	) Fitting, Hyd, E90, Jm04/Om04	1	
6	50121	(000000-	) Sleeve, Nyl, #27 08.0l	2	
7	78887	(000000-	) Clamp, Angle, Hose	1	
8	78886	(000000-	) Rod, Thrd, 2 End, M08 X 1.3 02.7l	1	
9	54275A	(000000-	) Bracket, Mtg, Motor	1	
10	59967	(000000-	) Seal, Ure, 0.38, 0.75w 13.2l Adh	1	
11	54274	(000000-	) Isolator, Vib, Bshg, 1.1d 0.6l .4b 0.78h	7	
12	13248	(000000-	) Washer, Flat, 0.40b 1.12d .12, Stl, Pl	7	
13	08143	(000000-	) Impeller, 9.00d X 0.376b	1	
14	87299	(000000-	) Nut, Hex, Flexlock, .31-24, Thin	1	
15	73397	(000000-	) Seal, Inlet, Vacfan	1	
▽	16	59656	(000000-	) Duct Assy, Vacfan, W/ Seal	1
▲	17	59735	(000000-	) Seal, Ure, 0.38, 0.75w 33.0l Adh	1
▽	18	84042	(000000-	) Duct Assy, Vacfan, W/ Seal	1
▲	19	10695	(000000-	) Insulation, Acstc, 0.5, 19.5 X 11.5 Ntch	1
	20	10693	(000000-	) Insulation, Acstc, 0.3, 13.0 X 6.5	1
	21	53466	(000000-	) Clamp, Cable, Stl, 1.50d X 1.00w, 1h	1
	22	39534	(000000-	) Screw, Flt, .25-20 X 1.00, Al	4
	23	32981	(000000-	) Nut, Hex, Lock, .25-20, NI	4
	24	41430	(000000-	) Nut, Hex, Lock, M10 X 1.5, NI	7
	25	34323	(000000-	) Screw, Hex, .25-20 X 0.75, NI	4
	26	41178	(000000-	) Washer, Flat, 0.25 Fendr	4
	27	08713	(000000-	) Nut, Hex, Lock, M8 X 1.25, NI, Ss	1

Fig. 16 - Hopper Pressure Switch Group

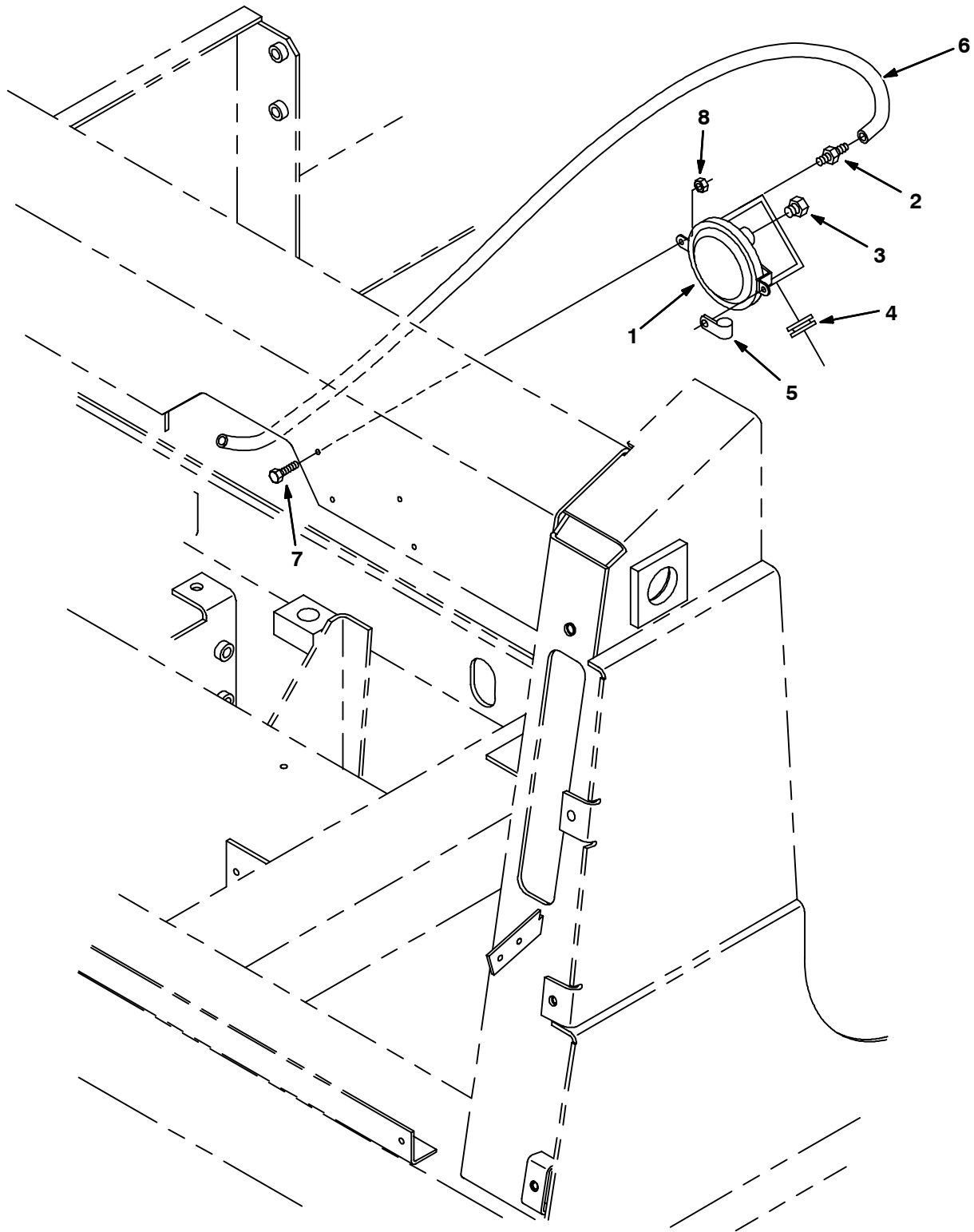


Fig. 16 - Hopper Pressure Switch Group

Ref.	Part No.	Serial Number	Description	Qty.
1	34868	(000000-	) Switch, Pressure	1
2	40607	(000000-	) Ftg, Brass,St Bm03/Pm02	1
3	82739	(000000-	) Ftg, Breather	1
4	10632-4	(000000-	) Grommet, Rbr,0.62ld,For .06Matl	1
5	46236	(000000-	) Clamp-Cable, 0.25Dia 0.56Wth	1
6	39780-1	(000000-	) Hose, Vacuum,.16ld X 28.0Lg	1
7	09228	(000000-	) Screw, Hex, M4 X 0.7 X 20, 8.8	2
8	02850	(000000-	) Nut, Hex, Lock, M4 X 0.7, NI	2

Fig. 17 - Engine and Alternator Group (00000-013227)

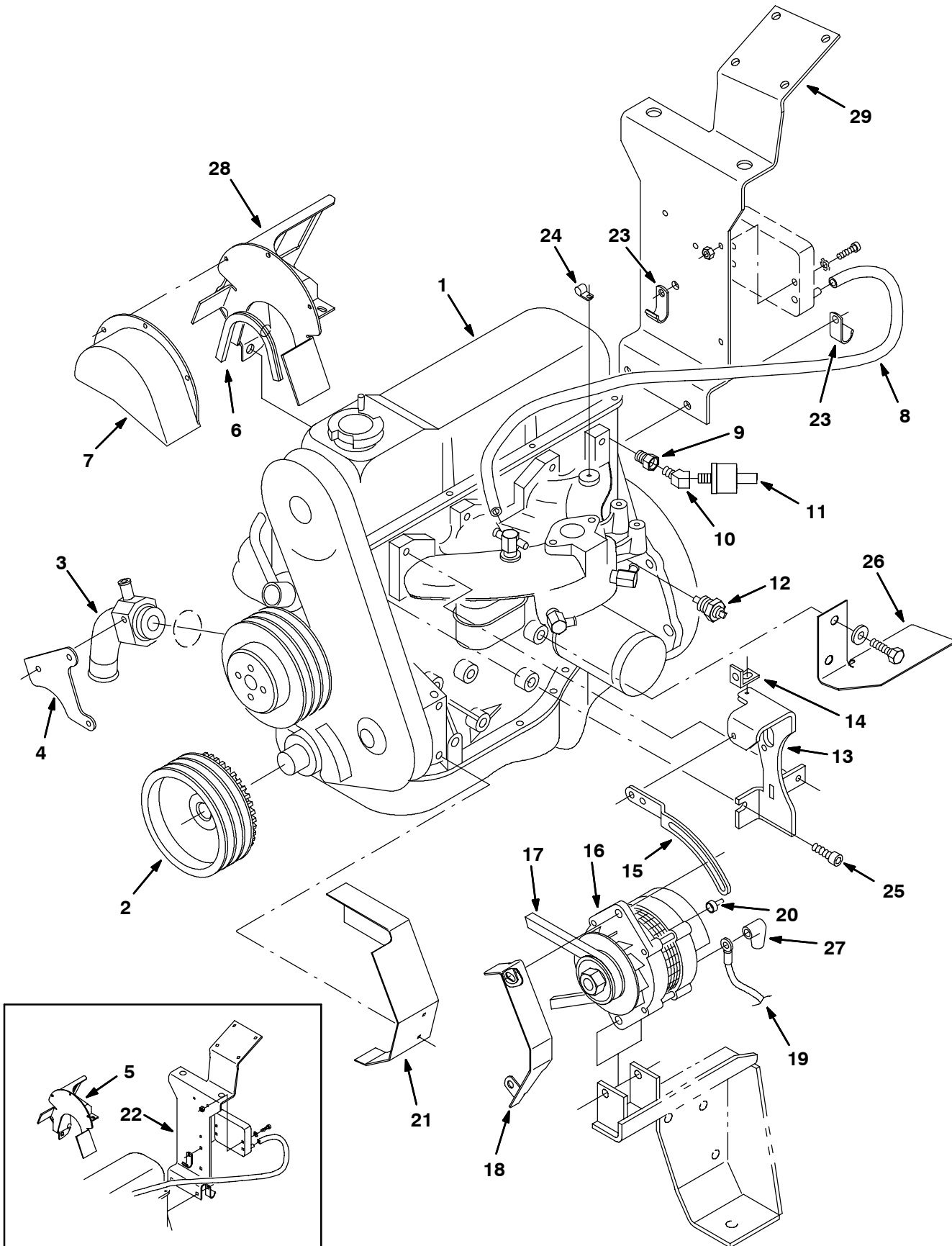




Fig. 17 - Engine and Alternator Group (000000-013227)

Ref.	Part No.	Serial Number	Description	Qty.
▽	1	83649	(000000-012574 ) Kit, Engine (See 2.3L Engine Breakdown)	1
▲		60938	(000000-013227 ) Starter, 12vdc, Ford 2.3 Fd	1
▽	1	385411	(012575-013227 ) Engine Purch Kit, Lrg425 (See 2.5L Engine Breakdown)	1
▲		60938	(000000-013227 ) Starter, 12vdc, Ford 2.3 Fd	1
	2	83664	(000000-013227 ) Sheave, Eng Crank, Fd W/Tg	1
	3	83729	(000000-013227 ) Adaptor, Water Pump Machined	1
	4	83731	(000000-013227 ) Plate, Mtg	1
	5	83768	(000000-012494 ) Bracket	1
	6	59375	(000000-013227 ) Extrusion,.062 Matl10.10Lg	1
	7	21294	(000000-013227 ) Cover	1
	8	19774	(000000-013227 ) Hose, Vacuum	1
	9	17414	(000000-013227 ) Fitting, Hyd, Str	1
	10	32376	(000000-013227 ) Fitting, Hyd, Elbow	1
	11	79399	(000000-013227 ) Switch, Pressure Oil	1
	12	36165	(000000-013227 ) Send Unit, Temperature	1
	13	83750	(000000-013227 ) Bracket, Alternator Mounting	1
	14	63310	(000000-013227 ) Bracket	1
	15	31526	(000000-013227 ) Arm	1
▽	16	60559	(000000-013227 ) Alternator	1
▲		61931	(000000-013227 ) Regulator	1
▲		86041	(000000-013227 ) Bearing, Ball	1
▲		61529	(000000-013227 ) Kit, Brush	1
▲		61531	(000000-013227 ) Rectifier	1
▲		70160	(000000-013227 ) Pulley	1
	17	83692	(000000-013227 ) Belt, V	1
	18	83581	(000000-013227 ) Guard, Alternator F/60559	1
	19	82731	(000000-013227 ) Wire, Ground	1
	20	61363	(000000-013227 ) Boot	2
	21	83853	(000000-013227 ) Cover, Oil Pump	1
	22	385434	(000000-012503 ) Kit, Replmt Brackets F/83986	1
	23	30407	(000000-013227 ) Clip	3
	24	40678	(000000-013227 ) Clamp, Cable	1
	25	39309	(000000-013227 ) Screw, Soc, M10-1.5 X 25, Al	1
	26	83572	(000000-013227 ) Bracket	1
	27	34065	(000000-013227 ) Boot	3
	28	385417	(012495-013227 ) Bracket	1
	29	385431	(012504-013227 ) Bracket Wldt, Air Filter 2.5	1

Fig. 18 - Engine Mount Group (000000-013227)

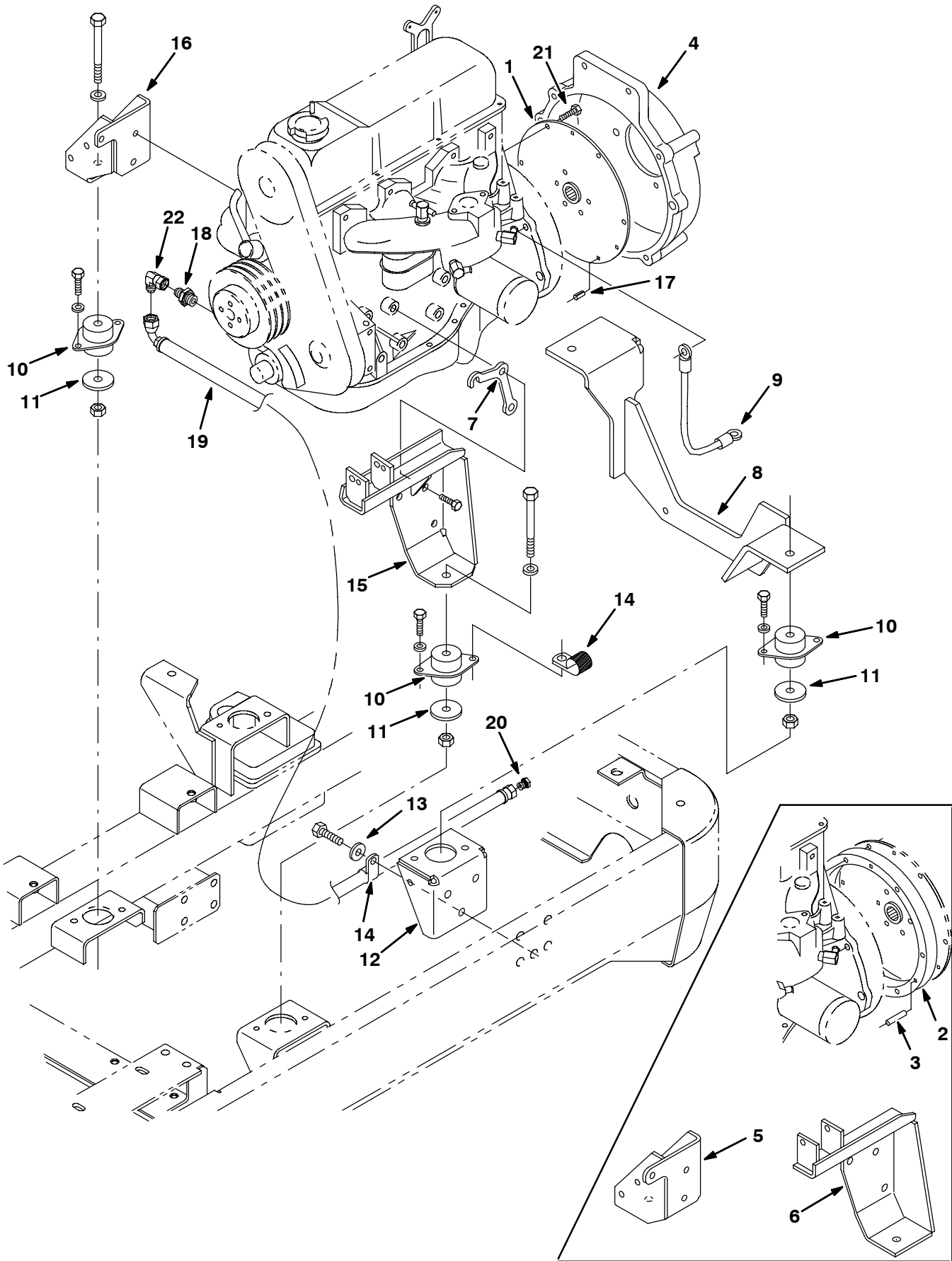


Fig. 18 - Engine Mount Group (000000-013227)

Ref.	Part No.	Serial Number	Description	Qty.
1	35980	(000000-013227 )	Coupling, Flywheel	1
2	72699	(000000-012574 )	Spacer	1
3	23574	(000000-012574 )	Pin	3
4	83689	(000000-012574 )	Housing, Flywheel	1
4	385433	(012575-013227 )	Housing, Flywheel, Mach, Lr	1
5	83662	(000000-012494 )	Bracket	1
6	83670	(000000-012462 )	Bracket Wldt, Eng/Alt Mount	1
7	83673	(000000-013227 )	Plate, Spacer, Mtg, Eng 2.3Fd	1
8	73289	(000000-013227 )	Bracket	1
9	73446	(000000-013227 )	Wire Assy	1
10	63695	(000000-013227 )	Isolator, Mtg	4
11	51564	(000000-013227 )	Washer	4
12	73072	(000000-013227 )	Bracket	2
13	41187	(000000-013227 )	Washer, Belleville, .38	6
14	58366	(000000-013227 )	Clamp, Cable	2
15	374589	(012463-013227 )	Bracket, Eng/Alt Mount	1
16	385426	(012495-013227 )	Bracket, Mtg, Engine Front Rh	1
17	14296	(012575-013227 )	Pin, Roll	3
18	375323	(000000-013227 )	Fitting, Hyd, Str, Metric	1
19	375205	(000000-013227 )	Hose, Hyd, Low06, 24.0	1
20	19747	(000000-013227 )	Fitting, Hyd, Plug	1
21	375193	(000000-013227 )	Screw, Hex, M08 X 1.00 X 16, 10.9	6
22	47504	(000000-013227 )	Fitting, Hyd, E90 Jf06/Jm06	1

**Fig. 19 - Engine Group (013228-013999)**

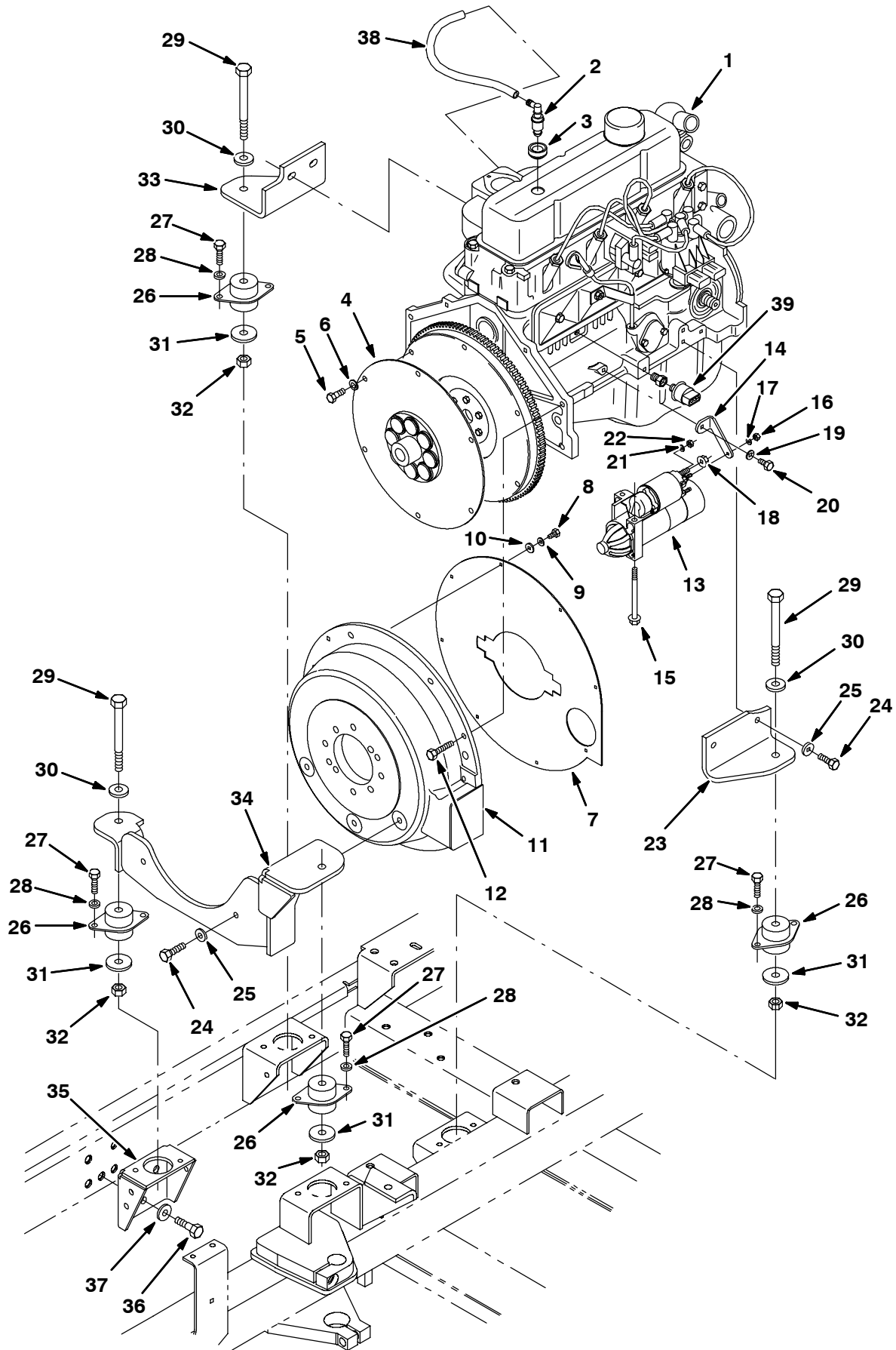


Fig. 19 - Engine Group (013228-013999)

Ref.	Part No.	Serial Number	Description	Qty.
1	392561	(013228-013999 )	Engine, Gm, Gas, Open Loop, (See GM Engine Break-down)	1
1	392563	(013228-013999 )	Engine, Gm, Lpg, Open Loop, (See GM Engine Break-down)	1
2	393975	(013228-013999 )	Valve, [Pcv]	1
3	393984	(013228-013999 )	Grommet	1
4	371507	(013228-013999 )	Plate, Drive	1
5	371508	(013228-013999 )	Bolt, Clutch	6
6	371509	(013228-013999 )	Washer, Lock, .38	11
7	371761	(013228-013999 )	Shield, Dust	1
8	19315	(013228-013999 )	Screw, Hex, .25-20 X 0.50, 5	8
9	371512	(013228-013999 )	Washer, Lock, .25	8
10	32483	(013228-013999 )	Washer, Flat, .25 Sae	8
11	371762	(013228-013999 )	Housing	1
12	55347	(013228-013999 )	Screw, Hex, .38-16 X 2.00, FI	1
13	371516	(013228-013999 )	Starter	1
14	371517	(013228-013999 )	Bracket, Starter	1
15	371518	(013228-013999 )	Bolt, Starter	1
16	50335	(013228-013999 )	Nut, Hex, Std, M05 X 0.8	2
17	371519	(013228-013999 )	Washer, Loc, M5	1
18	07791	(013228-013999 )	Nut, Hex, Flng, M08 X 1.25	1
19	393994	(013228-013999 )	Washer, Lock, .31	1
20	54396	(013228-013999 )	Screw, Hex, .31-18 X 0.75, 5	1
21	371520	(013228-013999 )	Washer, Lock, #10	1
22	19311	(013228-013999 )	Nut, Hex, Std, #10-24	1
23	392574	(013228-013999 )	Bracket, Mtg, Eng, Front, Rh	1
24	21197	(013228-013999 )	Screw, Hex, .38-16 X 1.00, 5	4
25	32492	(013228-013999 )	Washer, Flat, .38 Std	4
26	63695	(013228-013999 )	Isolator, Vib, Flng, 1.3l .5b 2/.39h	4
27	39277	(013228-013999 )	Screw, Hex, M08 X 1.25 X 25, 8.8	8
28	32491	(013228-013999 )	Washer, Flat, .31 Std	8
29	06972	(013228-013999 )	Screw, Hex, M12 X 1.75 X 60, 8.8	4
30	32493	(013228-013999 )	Washer, Flat, .50 Std	4
31	04414	(013228-013999 )	Washer, 0.53b 1.88d .12, Stl, PI	4
32	08711	(013228-013999 )	Nut, Hex, Lock, M12 X 1.75,NI	4
33	392575	(013228-013999 )	Bracket, Mtg, Eng, Lh	1
34	392565	(013228-013999 )	Bracket Wldt, Mtg, Eng, Rear	1
35	392576	(013228-013999 )	Bracket, Mtg, Eng, Rear, Lh	1
36	06968	(013228-013999 )	Screw, Hex, M12 X 1.75 X 35, 8.8	3
37	41187	(013228-013999 )	Washer, Belleville, .38	3
38	393973	(013228-013999 )	Hose, [Pcv]	1
39	371572	(013228-013999 )	Sending Unit, Oil Pressure	1

**Fig. 20 - Engine Group (014000-014999)**

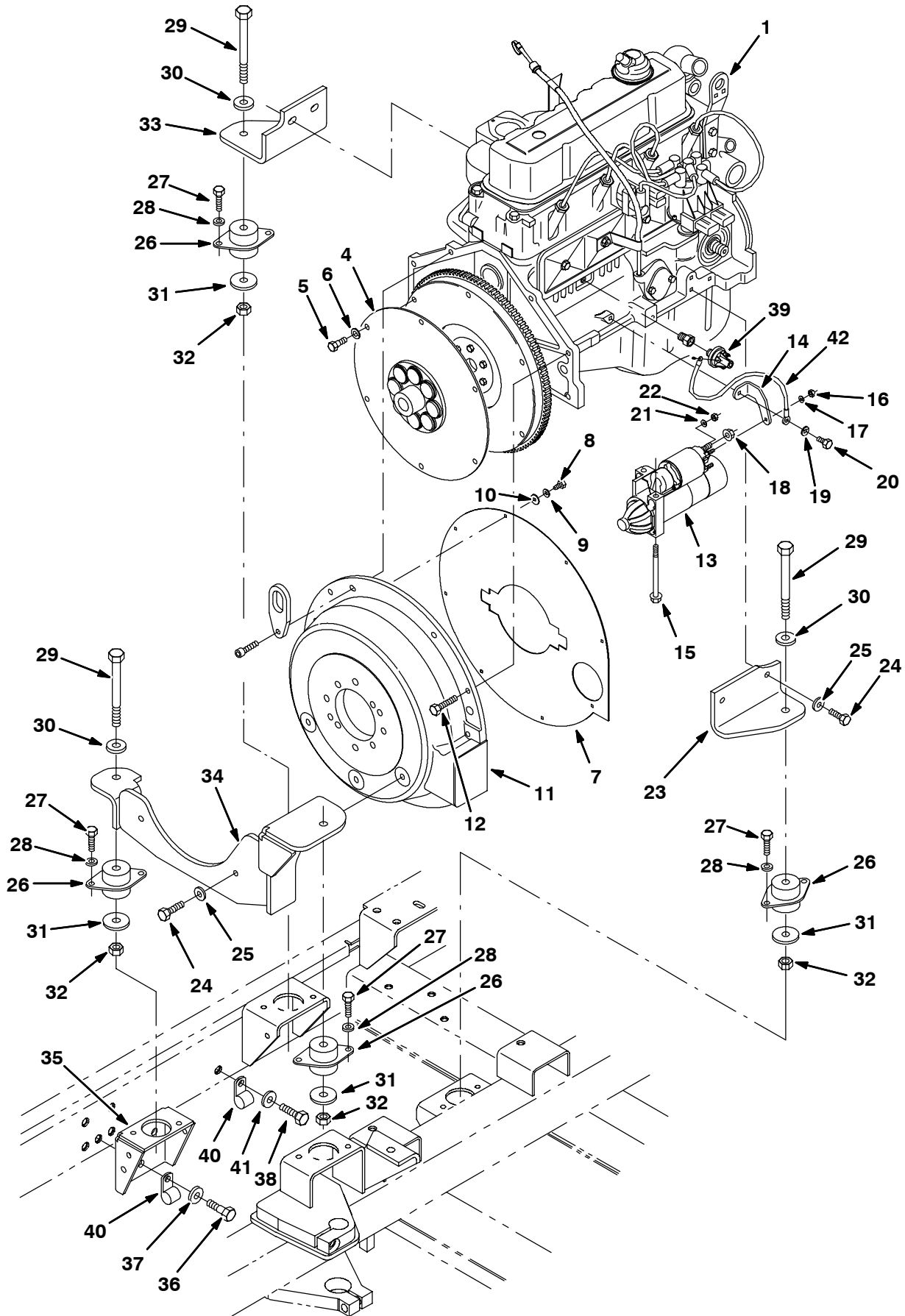


Fig. 20 - Engine Group (014000-014999)

Ref.	Part No.	Serial Number	Description	Qty.
1	1012719	(014000-014999 )	Engine Assy, Gas, Clsd Loop [Gm, 3.0] (See GM Engine Breakdown)	1
1	1012720	(014000-014999 )	Engine Assy, Lpg, Clsd Loop [Gm, 3.0] (See GM Engine Breakdown)	1
2	372457	(014000-014999 )	Bolt, Eye, Lift	1
3	372479	(014000-014999 )	Screw, Soc, .38-16 X 2.25, G5	1
4	372456	(014000-014999 )	Plate, Drive	1
5	371508	(014000-014999 )	Bolt, Clutch	6
6	371509	(014000-014999 )	Washer, Lock, .38	11
7	371761	(014000-014999 )	Shield, Dust	1
8	19315	(014000-014999 )	Screw, Hex, .25-20 X 0.50, 5	8
9	371512	(014000-014999 )	Washer, Lock, .25	8
10	32483	(014000-014999 )	Washer, Flat, .25 Sae	8
11	372458	(014000-014999 )	Housing, Flywheel [3.0]	1
12	55347	(014000-014999 )	Screw, Hex, .38-16 X 2.00, FI	1
13	371516	(014000-014999 )	Starter	1
14	372473	(014000-014999 )	Bracket, Starter	1
15	371518	(014000-014999 )	Bolt, Starter	1
16	50335	(014000-014999 )	Nut, Hex, Std, M05 X 0.8	2
17	371519	(014000-014999 )	Washer, Loc, M5	1
18	07791	(014000-014999 )	Nut, Hex, Flng, M08 X 1.25	1
19	393994	(014000-014999 )	Washer, Lock, .31	1
20	54396	(014000-014999 )	Screw, Hex, .31-18 X 0.75, 5	1
21	371520	(014000-014999 )	Washer, Lock, #10	1
22	19311	(014000-014999 )	Nut, Hex, Std, #10-24	1
23	392574	(014000-014999 )	Bracket, Mtg, Eng, Front, Rh	1
24	21197	(014000-014999 )	Screw, Hex, .38-16 X 1.00, 5	4
25	32492	(014000-014999 )	Washer, Flat, .38 Std	4
26	63695	(014000-014999 )	Isolator, Vib, Flng, 1.3l .5b 2/.39h	4
27	39277	(014000-014999 )	Screw, Hex, M08 X 1.25 X 25, 8.8	8
28	32491	(014000-014999 )	Washer, Flat, .31 Std	8
29	06972	(014000-014999 )	Screw, Hex, M12 X 1.75 X 60, 8.8	4
30	32493	(014000-014999 )	Washer, Flat, .50 Std	4
31	04414	(014000-014999 )	Washer, 0.53b 1.88d .12, Stl, PI	4
32	08711	(014000-014999 )	Nut, Hex, Lock, M12 X 1.75, NI	4
33	392575	(014000-014999 )	Bracket, Mtg, Eng, Lh	1
34	392565	(014000-014999 )	Bracket Wldt, Mtg, Eng, Rear	1
35	392576	(014000-014999 )	Bracket, Mtg, Eng, Rear, Lh	1
36	06968	(014000-014999 )	Screw, Hex, M12 X 1.75 X 35, 8.8	3
37	41187	(014000-014999 )	Washer, Belleville, .38	3
38	16931	(014000-014999 )	Screw, Hex, M8 X 1.25 X 20, 8.8	1
39	372445	(014000-014999 )	Switch, Pressure, 7psi, Spdt	1
40	58366	(014000-014999 )	Clamp, Cable, Stl, 1.25d X 1.00w, 1h	2
41	32491	(014000-014999 )	Washer, Flat, 0.31 Std	1
42	372474	(014000-014999 )	Harness, Switch, Oil Press, Ground Wire	1

**Fig. 21 - Engine Group (015000- )**

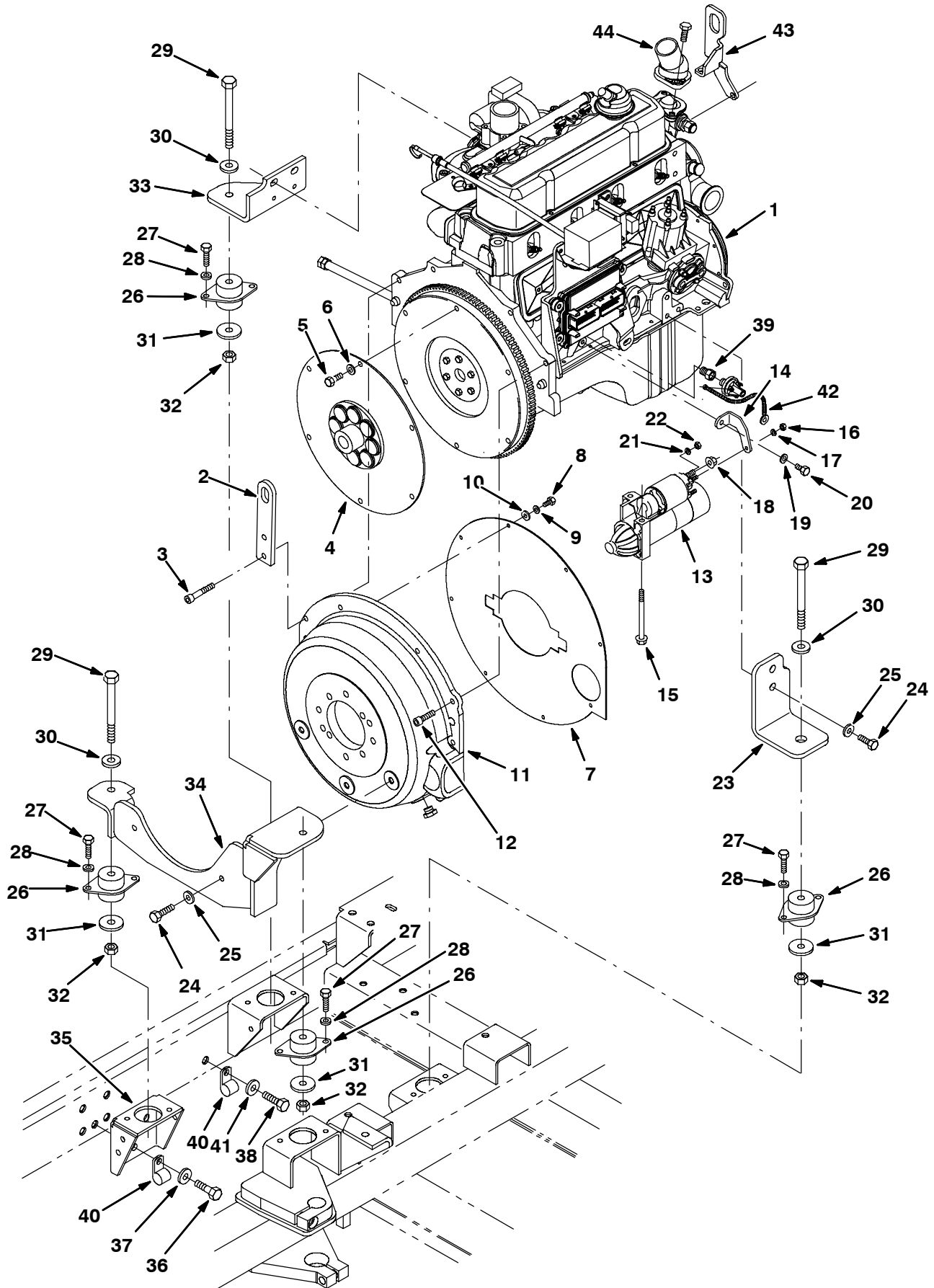




Fig. 21 - Engine Group (015000- )

Ref.	Part No.	Serial Number	Description	Qty.
1	385019	(015000-	) Engine, Block, Long [Gm3.0l] (See GM Engine Breakdown)	1
2	1034105	(015000-	) Hook, Lift [Gm3.0l 2007]	1
3	372479	(015000-	) Screw, Soc, .38-16 X 2.25, G5	1
4	372456	(015000-	) Plate, Drive	1
5	371508	(015000-	) Bolt, Clutch	6
6	371509	(015000-	) Washer, Lock, .38	11
7	371761	(015000-	) Shield, Dust	1
8	19315	(015000-	) Screw, Hex, .25-20 X 0.50, 5	8
9	371512	(015000-	) Washer, Lock, .25	8
10	32483	(015000-	) Washer, Flat, .25 Sae	8
11	372458	(015000-	) Housing, Flywheel [3.0l]	1
12	55347	(015000-	) Screw, Hex, .38-16 X 2.00, FI	1
13	371516	(015000-	) Starter	1
14	372473	(015000-	) Bracket, Starter	1
15	371518	(015000-	) Bolt, Starter	1
16	50335	(015000-	) Nut, Hex, Std, M05 X 0.8	2
17	371519	(015000-	) Washer, Loc, M5	1
18	07791	(015000-	) Nut, Hex, Flng, M08 X 1.25	1
19	393994	(015000-	) Washer, Lock, .31	1
20	54396	(015000-	) Screw, Hex, .31-18 X 0.75, 5	1
21	371520	(015000-	) Washer, Lock, #10	1
22	19311	(015000-	) Nut, Hex, Std, #10-24	1
23	1030220	(015000-	) Bracket, Mtg, Eng, Rh [8410]	1
24	21197	(015000-	) Screw, Hex, .38-16 X 1.00, 5	4
25	32492	(015000-	) Washer, Flat, .38 Std	4
26	63695	(015000-	) Isolator, Vib, Flng, 1.3l .5b 2/.39h	4
27	39277	(015000-	) Screw, Hex, M08 X 1.25 X 25, 8.8	8
28	32491	(015000-	) Washer, Flat, .31 Std	8
29	06972	(015000-	) Screw, Hex, M12 X 1.75 X 60, 8.8	4
30	32493	(015000-	) Washer, Flat, .50 Std	4
31	04414	(015000-	) Washer, 0.53b 1.88d .12, Stl, PI	4
32	08711	(015000-	) Nut, Hex, Lock, M12 X 1.75, NI	4
33	392575	(015000-	) Bracket, Mtg, Eng, Lh	1
34	392565	(015000-	) Bracket Wldt, Mtg, Eng, Rear	1
35	392576	(015000-	) Bracket, Mtg, Eng, Rear, Lh	1
36	06968	(015000-	) Screw, Hex, M12 X 1.75 X 35, 8.8	3
37	41187	(015000-	) Washer, Belleville, .38	3
38	16931	(015000-	) Screw, Hex, M8 X 1.25 X 20, 8.8	1
39	372445	(015000-	) Switch, Pressure, 7psi, Spdt	1
40	58366	(015000-	) Clamp, Cable, Stl, 1.25d X 1.00w, 1h	2
41	32491	(015000-	) Washer, Flat, 0.31 Std	1
42	372474	(015000-	) Harness, Switch, Oil Press, Ground Wire	1
43	1029334	(015000-	) Hook, Lift [Gm3.0l 2007]	1
44	1030272	(015000-	) Housing, Thermostat [Gm3.0l 2007]	1

Fig. 22 - Engine Alternator Group (013228-013999)

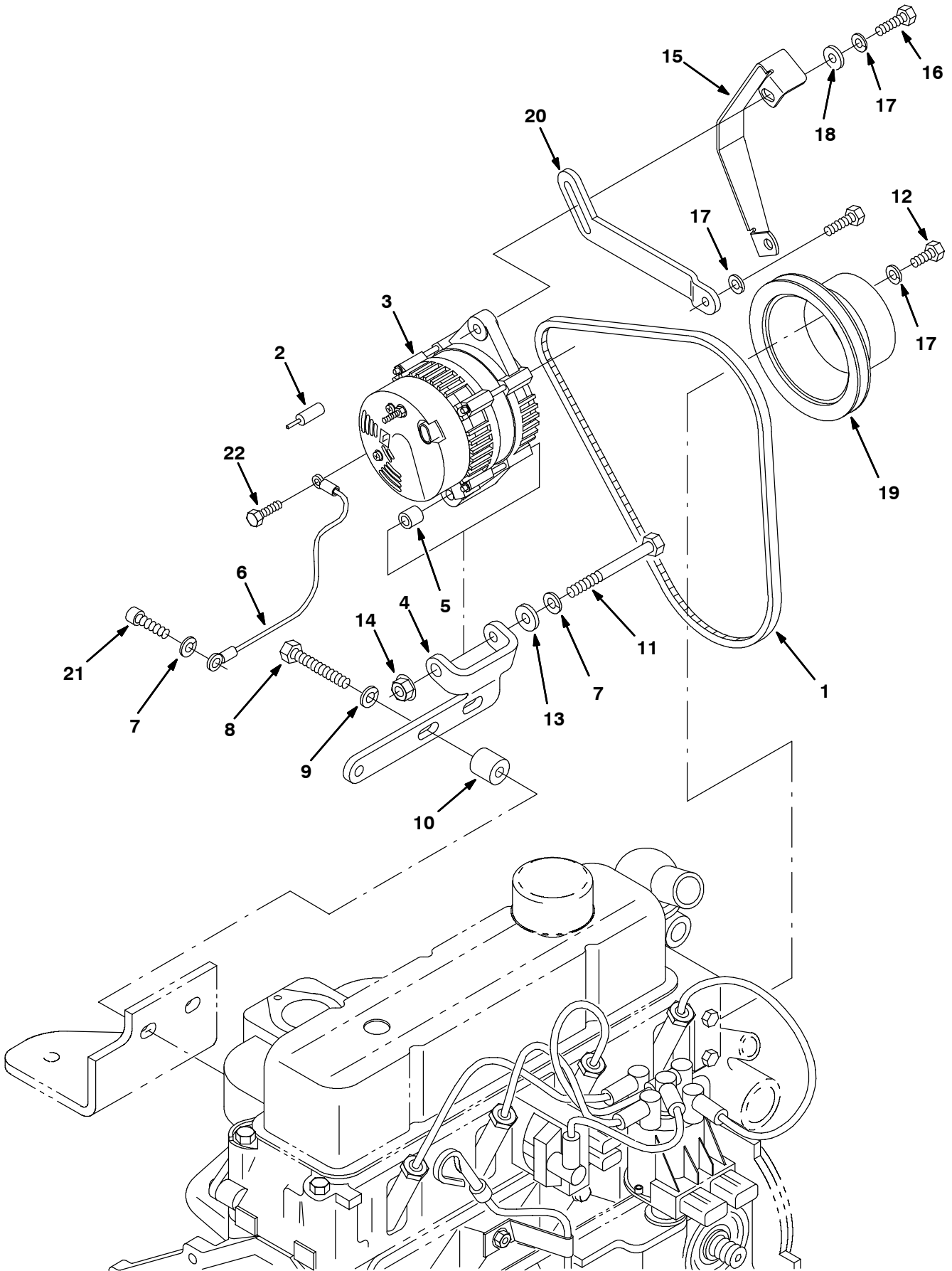


Fig. 22 - Engine Alternator Group (013228-013999)

Ref.	Part No.	Serial Number	Description	Qty.
1	64899	(013228-013999 )	Belt, V, [3v] 40.0l, 1only [Hc38]	1
2	61363	(013228-013999 )	Boot, Str 0.42id .12h 0.25l	1
3	392611	(013228-013999 )	Alternator, 12vdc, 075a [Valeo]	1
4	1008094	(013228-013999 )	Bracket, Alternator	1
5	371526	(013228-013999 )	Sleeve, Alternator	1
6	371527	(013228-013999 )	Wire, Ground	1
7	371509	(013228-013999 )	Washer, Lock, .38	2
8	27991	(013228-013999 )	Screw, Hex, .38-16 X 2.25, 5	2
9	32492	(013228-013999 )	Washer, Flat, .38 Std	2
10	35756	(013228-013999 )	Tube, 01.00d 00.50b 01.0l Stl Pnt	2
11	371529	(013228-013999 )	Screw, .38-24 X 4.0	1
12	07592	(013228-013999 )	Screw, Hex, .31-24 X 0.75, 5	4
13	32485	(013228-013999 )	Washer, Flat, .38 Sae	1
14	371528	(013228-013999 )	Nut, Flanged, .38-24	1
15	83581	(013228-013999 )	Guard, Belt, Alternator	1
16	76956	(013228-013999 )	Screw, Hex, .31-18 X 1.25, 5	1
17	393994	(013228-013999 )	Washer, Lock, .31	6
18	32491	(013228-013999 )	Washer, Flat, .31 Std	1
19	393998	(013228-013999 )	Pulley, Fan	1
20	1007162	(013228-013999 )	Arm, Alternator	1
21	371770	(013228-013999 )	Screw	1
22	42011	(013228-013999 )	Screw,Hex, #10-24 X 0.50, Ss	1

Fig. 23 - Engine Alternator Group (014000-014999)

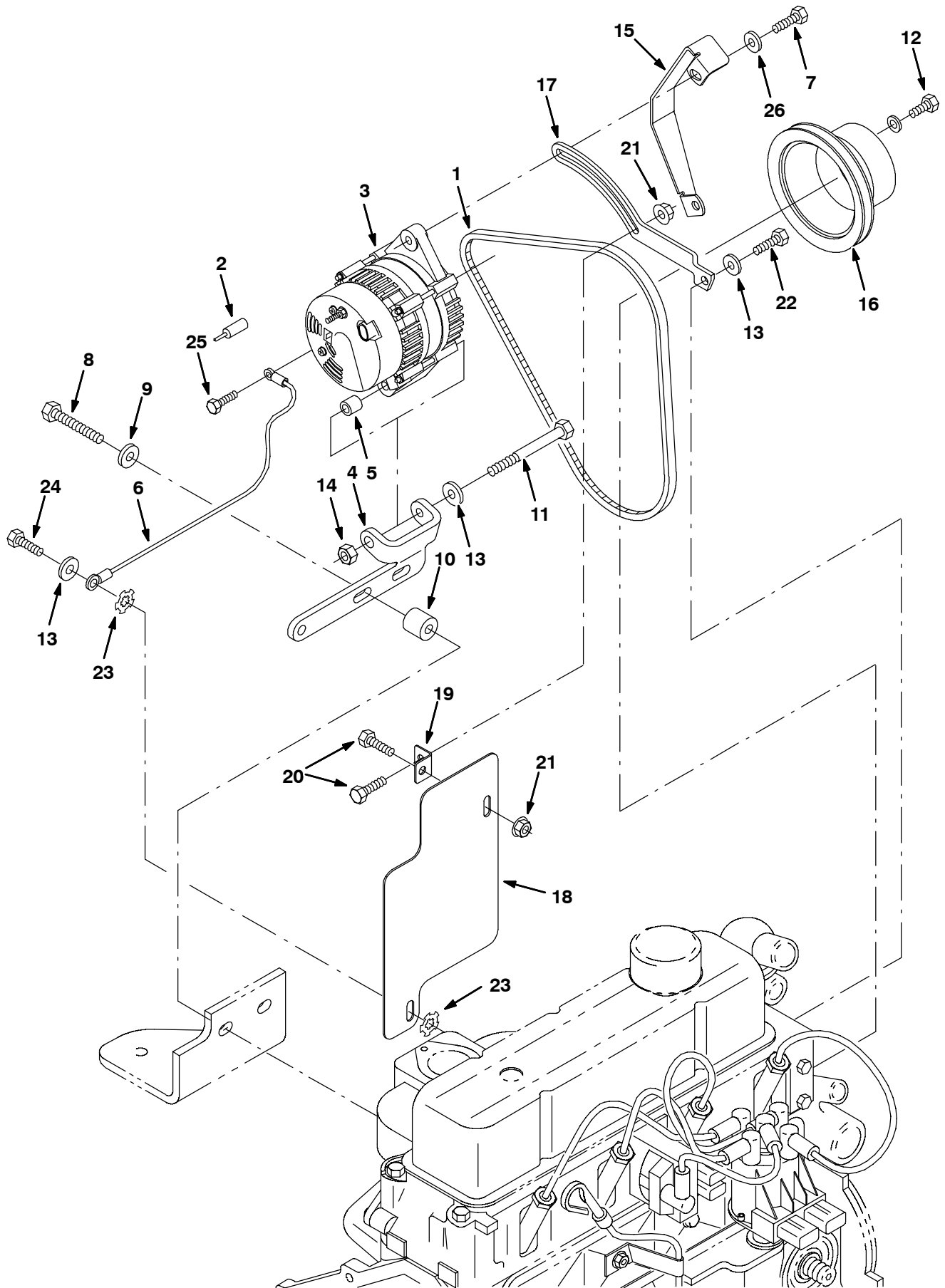


Fig. 23 - Engine Alternator Group (014000-014999)

Ref.	Part No.	Serial Number	Description	Qty.
1	64899	(014000-014999 )	Belt, V, [3v] 40.0l, 1only [Hc38]	1
2	61363	(014000-014999 )	Boot, Str 0.42id .12h 0.25l	1
3	392611	(014000-014999 )	Alternator, 12vdc, 075a [Valeo]	1
4	1008094	(014000-014999 )	Bracket, Alternator	1
5	371526	(014000-014999 )	Sleeve, Alternator	1
6	371527	(014000-014999 )	Wire, Ground	1
7	76955	(014000-014999 )	Screw, Hex, .31-18 X 1.00, 5	1
8	27991	(014000-014999 )	Screw, Hex, .38-16 X 2.25, 5	2
9	32492	(014000-014999 )	Washer, Flat, .38 Std	2
10	35756	(014000-014999 )	Tube, 01.00d 00.50b 01.0l Stl Pnt	2
11	20177	(014000-014999 )	Screw, Hex, .38-16 X 4.00, 5	1
12	07592	(014000-014999 )	Screw, Hex, .31-24 X 0.75, 5	4
13	32485	(014000-014999 )	Washer, Flat, .38 Sae	3
14	50902	(014000-014999 )	Nut, Hex, Lock, .38-16, NI	1
15	83581	(014000-014999 )	Guard, Belt, Alternator	1
16	393998	(014000-014999 )	Pulley, Fan	1
17	1008519	(014000-014999 )	Arm, Alternator	1
18	1008511	(014000-014999 )	Plate, Shield, Heat	1
19	1008513	(014000-014999 )	Angle, Heat, Shield	1
20	16735	(014000-014999 )	Screw, Hex, M8 X 1.25 X 16, 8.8	2
21	07791	(014000-014999 )	Nut, Hex, Flng, M8 X 1.25	2
22	21195	(014000-014999 )	Screw, Hex, .38-16 X 0.75, 5	1
23	41142	(014000-014999 )	Washer, Lock, Int-ext, .38	2
24	21197	(014000-014999 )	Screw, Hex, .38-16 X 1.00, 5	1
25	42011	(014000-014999 )	Screw, Hex, #10-24 X 0.50, Ss	1
26	41186	(014000-014999 )	Washer, Belleville, .31	1

Fig. 24 - Engine Alternator Group (015000-

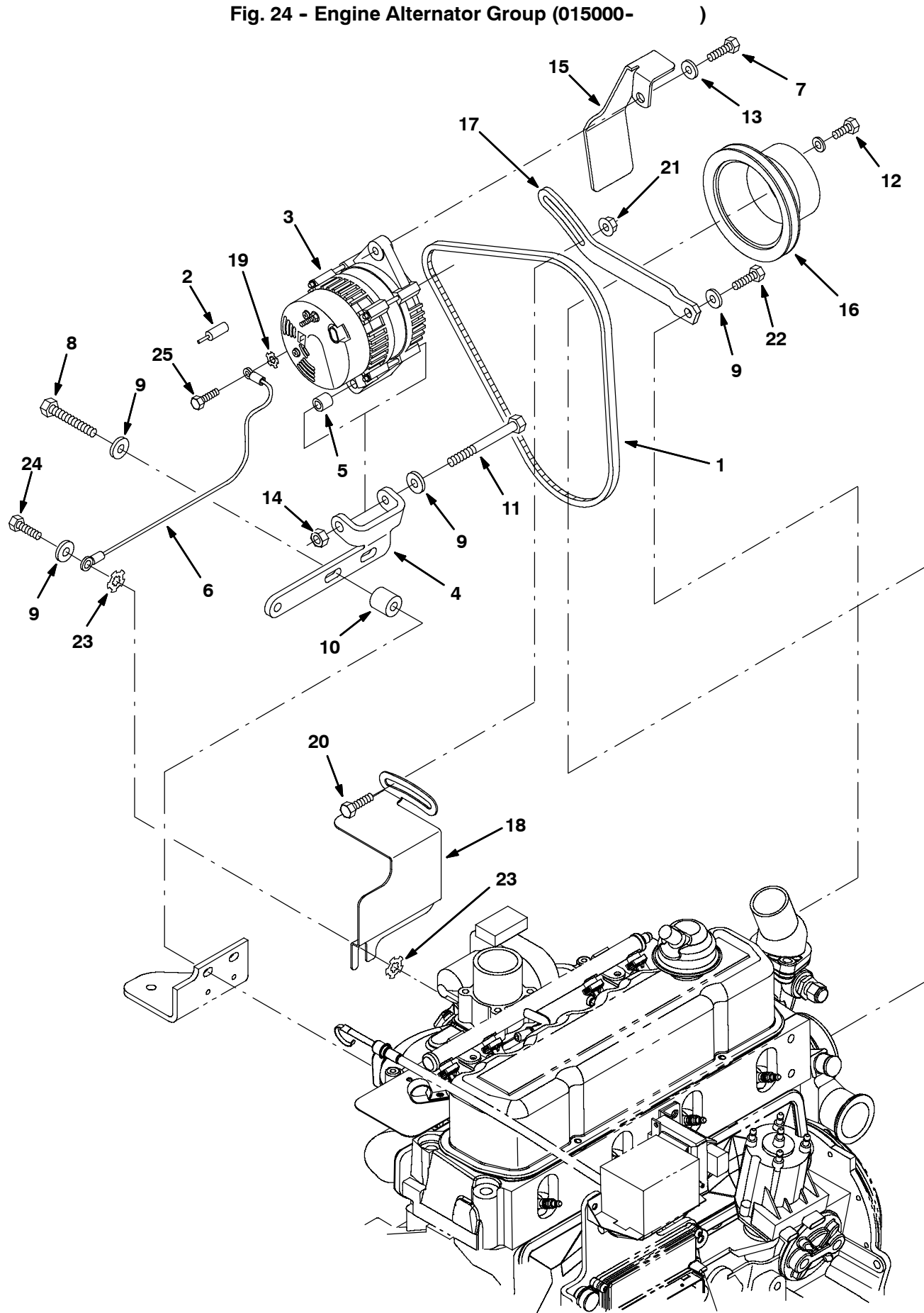


Fig. 24 - Engine Alternator Group (015000- )

Ref.	Part No.	Serial Number	Description	Qty.
1	393227	(015000-	) Belt, V, [3v] 39.6l [Hc41]	1
2	61363	(015000-	) Boot, Str 0.42id .12h 0.25l	1
3	392611	(015000-	) Alternator, 12vdc, 075a [Valeo]	1
4	1008094	(015000-	) Bracket, Alternator	1
5	371526	(015000-	) Sleeve, Alternator	1
6	371527	(015000-	) Wire, Ground	1
7	76955	(015000-	) Screw, Hex, .31-18 X 1.00, 5	1
8	27991	(015000-	) Screw, Hex, .38-16 X 2.25, 5	2
9	32485	(015000-	) Washer, Flat, 0.38 Sae	5
10	35756	(015000-	) Tube, 01.00d 00.50b 01.0l Stl Pnt	2
11	20177	(015000-	) Screw, Hex, .38-16 X 4.00, 5	1
12	07592	(015000-	) Screw, Hex, .31-24 X 0.75, 5	4
13	41186	(015000-	) Washer, Belleville, .31	1
14	50902	(015000-	) Nut, Hex, Lock, .38-16, NI	1
15	1008538	(015000-	) Bracket, Guard, Alternator, Hd [Gm3.0l]	1
16	393998	(015000-	) Pulley, Fan	1
17	1029649	(015000-	) Arm, Adjmt, Alternator	1
18	1030635	(015000-	) Shield, Heat, Alternator [2007]	1
19	32980	(015000-	) Washer, Lock, Int, #10	1
20	16735	(015000-	) Screw, Hex, M8 X 1.25 X 16, 8.8	1
21	07791	(015000-	) Nut, Hex, Flng, M8 X 1.25	1
22	21195	(015000-	) Screw, Hex, .38-16 X 0.75, 5	1
23	41142	(015000-	) Washer, Lock, Int-ext, .38	2
24	21197	(015000-	) Screw, Hex, .38-16 X 1.00, 5	1
25	42011	(015000-	) Screw, Hex, #10-24 X 0.50, Ss	1

Fig. 25 - Engine Oil Filter and Drain Group (013228- )

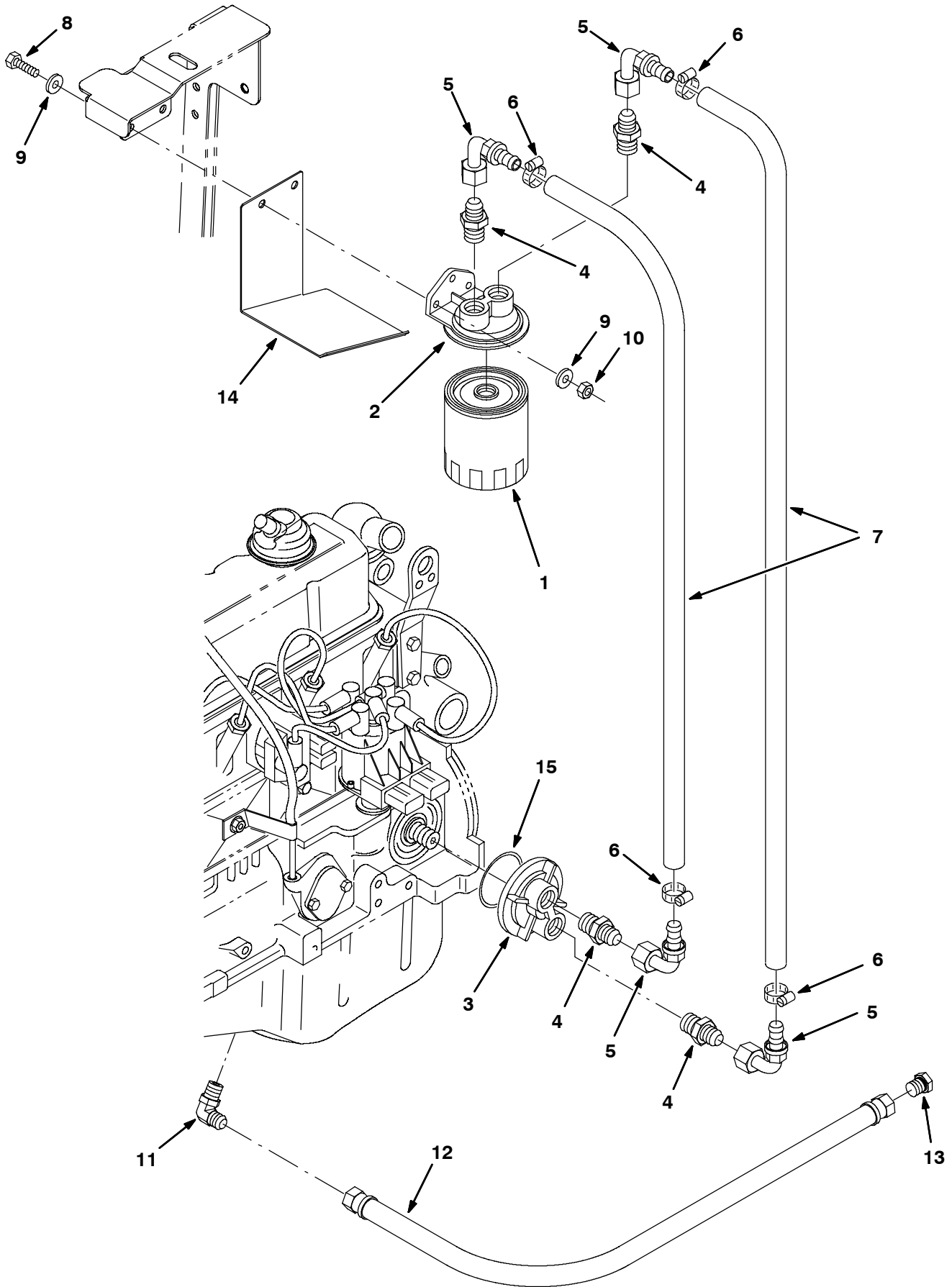




Fig. 25 - Engine Oil Filter and Drain Group (013228- )

Ref.	Part No.	Serial Number	Description	Qty.
1	393982	(013228-	) Element, Fltr, Oil, Eng, Spin-On[Gm]	1
2	371503	(013228-	) Mount, Filter, Remote	1
3	371504	(013228-	) Adaptor, Filter, Remote	1
4	371505	(013228-	) Fitting	4
5	371500	(013228-	) Fitting, 90 Deg	4
6	11399	(013228-	) Clamp, Hose, Wormdrive, 0.81-1.50d	4
7	371502	(013228-	) Hose, .50	2
8	76956	(013228-	) Screw, Hex, .31-18 X 1.25, 5	2
9	32491	(013228-	) Washer, Flat, .31 Std	4
10	32983	(013228-	) Nut, Hex, Lock, .31-18, NI	2
11	49934	(013228-	) Fitting, Hyd, E90, Pm06/Jm06	1
12	76762	(013228-	) Hose, Hyd,Low06, Jf06str /Jf06str , 26.0	1
13	19747	(013228-	) Fitting, Hyd, Plug, Jm06	1
14	1016322	(013228-	) Bracket, Tray, Drip	1
15	1032382	(013228-	) Seal, Org, .139 X 03.109 Id	1

**Fig. 26 - Engine Carburetor & Governor Group, Gasoline (000000-013227)**

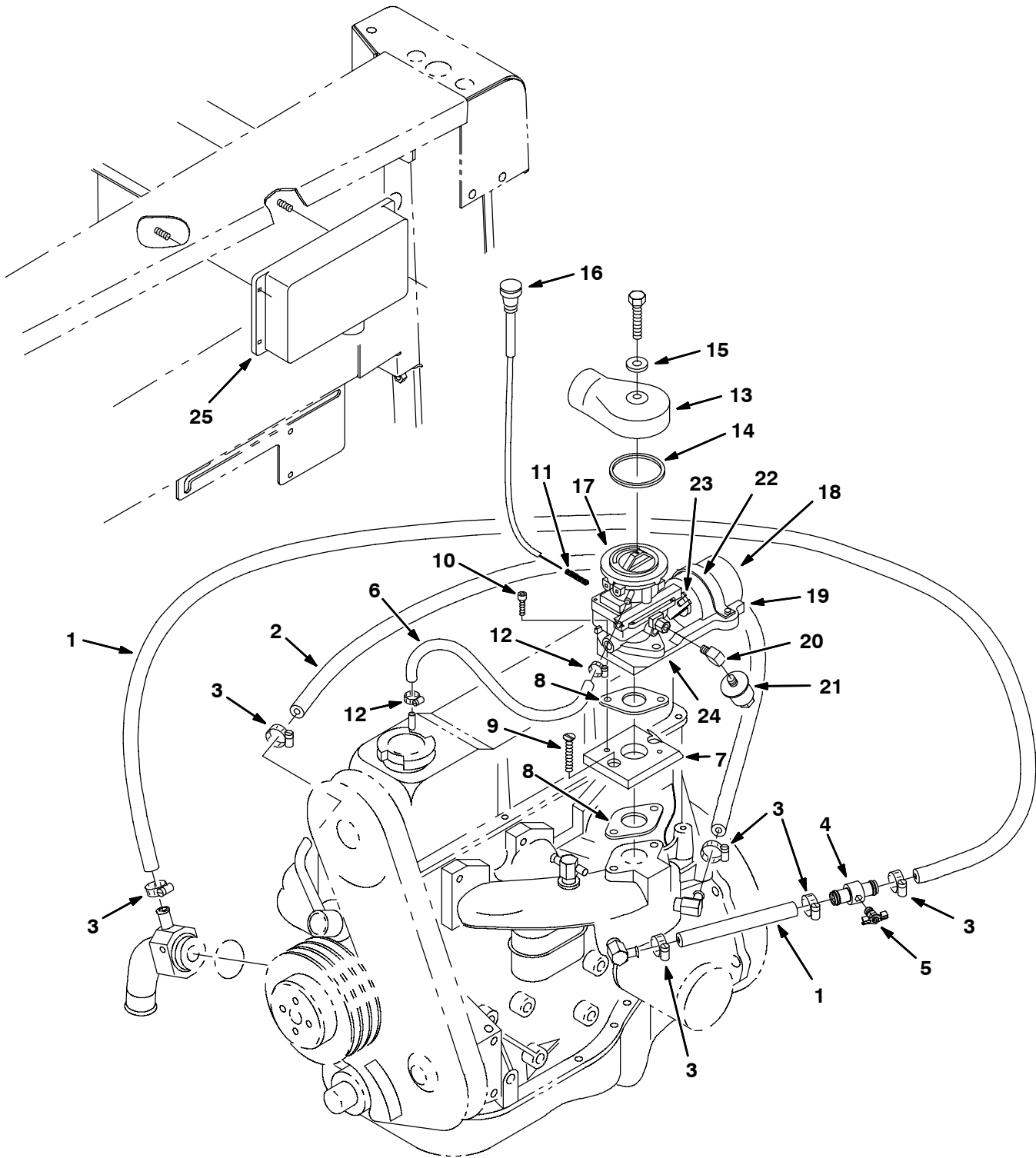


Fig. 26 - Engine Carburetor &amp; Governor Group, Gasoline (000000-013227)

Ref.	Part No.	Serial Number	Description	Qty.
1	30389	(000000-013227 )	Hose, Heater	1
2	13048	(000000-013227 )	Hose, Heater	1
3	63810	(000000-013227 )	Clamp, Wormdrive	6
4	83578	(000000-013227 )	Tvbe, Air Bleed	1
5	83580	(000000-013227 )	Fitting, Brass Drain Cock	1
6	70876	(000000-012654 )	Hose, Rubber	1
6	375718	(012655-013227 )	Hose, Molded	1
7	83686	(000000-013227 )	Adaptor, Carburetor	1
8	74443	(000000-013227 )	Gasket	2
9	32129	(000000-013227 )	Screw, Flat, M08-1.25X 20,10.9	2
10	33951	(000000-013227 )	Screw, Soc, M06-1.0 X 20,12.9	2
11	58846	(000000-013227 )	Spring, Compression	2
12	43844	(000000-013227 )	Clamp, Wormdrive	1
13	57934	(000000-013227 )	Adaptor, Elbow, Carburetor	1
14	16738	(000000-013227 )	Gasket	1
15	24924	(000000-013227 )	Washer	1
16	47313A	(000000-013227 )	Cable, Choke	1
▽	374590	(000000-012574 )	Governor Assy, 8410Gas 2.3	1
▲▽	83639	(000000-012574 )	Governor, Gas	1
▲▲	17 78897	(000000-012574 )	Carburetor, Gas [F/ LRG-423, Vent, Ze]	1
▲▲	18 83683	(000000-012574 )	Actuator	1
▲▲	19 83682	(000000-012574 )	Bracket	1
▲▲	20 11984	(000000-012574 )	Fitting, Elbow	1
▲▲	21 36050	(000000-012574 )	Filter, Fuel	1
▲▲	22 83685	(000000-012574 )	Strap. Mounting, Actuator	1
▲▲	23 83684	(000000-012574 )	Linkage Kit	1
▲▲	24 74443	(000000-012574 )	Gasket	1
▲▽	25 374592	(000000-012574 )	Control Unit, Gov (Replaced by 374127)	1
▲▲	374625	(000000-012574 )	Plug, Control Box	2
▽	385435	(012575-013227 )	Governor Assy, Ford 2.5 Gas	1
▲	17 385414	(012575-013227 )	Carburetor, Gas [F/ LRG-425, Vent, Ze]	1
▲	18 83683	(012575-013227 )	Actuator	1
▲	19 83682	(012575-013227 )	Bracket	1
▲	20 11984	(012575-013227 )	Fitting, Elbow	1
▲	21 36050	(012575-013227 )	Filter, Fuel	1
▲	22 83685	(012575-013227 )	Strap. Mounting, Actuator	1
▲	23 83684	(012575-013227 )	Linkage Kit	1
▲	24 74443	(012575-013227 )	Gasket	1
▲	374127	( xxxxxx-013227 )	Kit, Replmt, Control, Govnr, [All Purps]	1
▽	25 385437	(012575-xxxxxx )	Control, Gov. 1475,2000,2600 E (Replaced by 374127)	1
▲	374625	(012575-xxxxxx )	Plug, Control Box	2

Fig. 27 - Engine EFI Group, Gas (013228-013999)

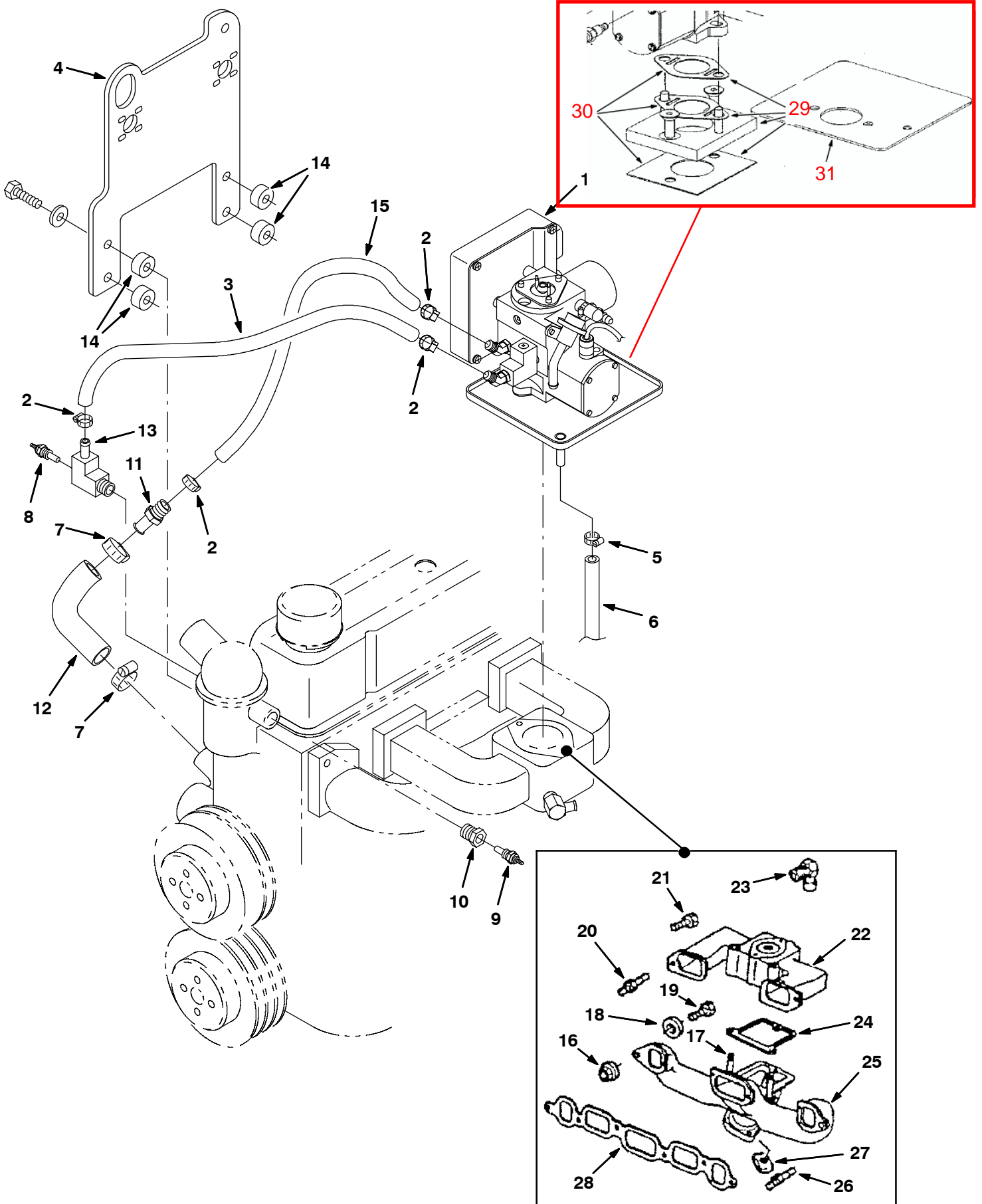


Fig. 27 - Engine EFI Group, Gas (013228-013999)

Ref.	Part No.	Serial Number	Description	Qty.
1	371896	(013228-013999 )	Housing Assy, Throttle, Gas, [With Ecu] (See Breakdowns)	1
1	371897	(013228-013999 )	Housing Assy, Throttle, Gas, [Without Ecu] (See Breakdowns)	1
2	371538	(013228-013999 )	Clamp	5
3	371532	(013228-013999 )	Hose, Heater, 0.38id	1
4	392570	(013228-013999 )	Plate	1
5	86824	(013228-013999 )	Clamp, Hose, Wormdrive, 0.50-1.06d	1
6	71427	(013228-013999 )	Hose, Fuel, 0.50id 34.0l	1
7	11399	(013228-013999 )	Clamp, Hose, Wormdrive, 0.81-1.50d	2
8	371764	(013228-013999 )	Sensor, Water Temp	1
9	36165	(013228-013999 )	Send-unit, Water, Temperature, .38npt	1
10	47167	(013228-013999 )	Fitting, Brs, Str, Pm08/Pf06	1
11	371763	(013228-013999 )	Fitting, Hose	1
12	371765	(013228-013999 )	Hose	1
13	371766	(013228-013999 )	Fitting, Elbow	1
14	371767	(013228-013999 )	Spacer	4
15	769808	(013228-013999 )	Hose, Heater, 0.38id x 18.0l	1
16	393905	(013228-013999 )	Nut	8
17	393906	(013228-013999 )	Stud	2
18	393907	(013228-013999 )	Washer	-
19	393898	(013228-013999 )	Bolt	3
20	393908	(013228-013999 )	Stud	1
21	393909	(013228-013999 )	Bolt	-
22	393910	(013228-013999 )	Manifold, Intake	1
23	393911	(013228-013999 )	Fitting	1
24	393912	(013228-013999 )	Gasket	1
25	393913	(013228-013999 )	Manifold, Exhaust	1
26	393914	(013228-013999 )	Stud	2
27	393915	(013228-013999 )	Clamp	4
28	393916	(013228-013999 )	Gasket	1

these parts are NOT included in #1;

- 29 371646 Kit, Adaptor
- 30 371647 Kit, Gasket (part of #29)
- 31 371658 Shield, Heat

Fig. 28 - Engine EFI Group, Gas (014000-014999)

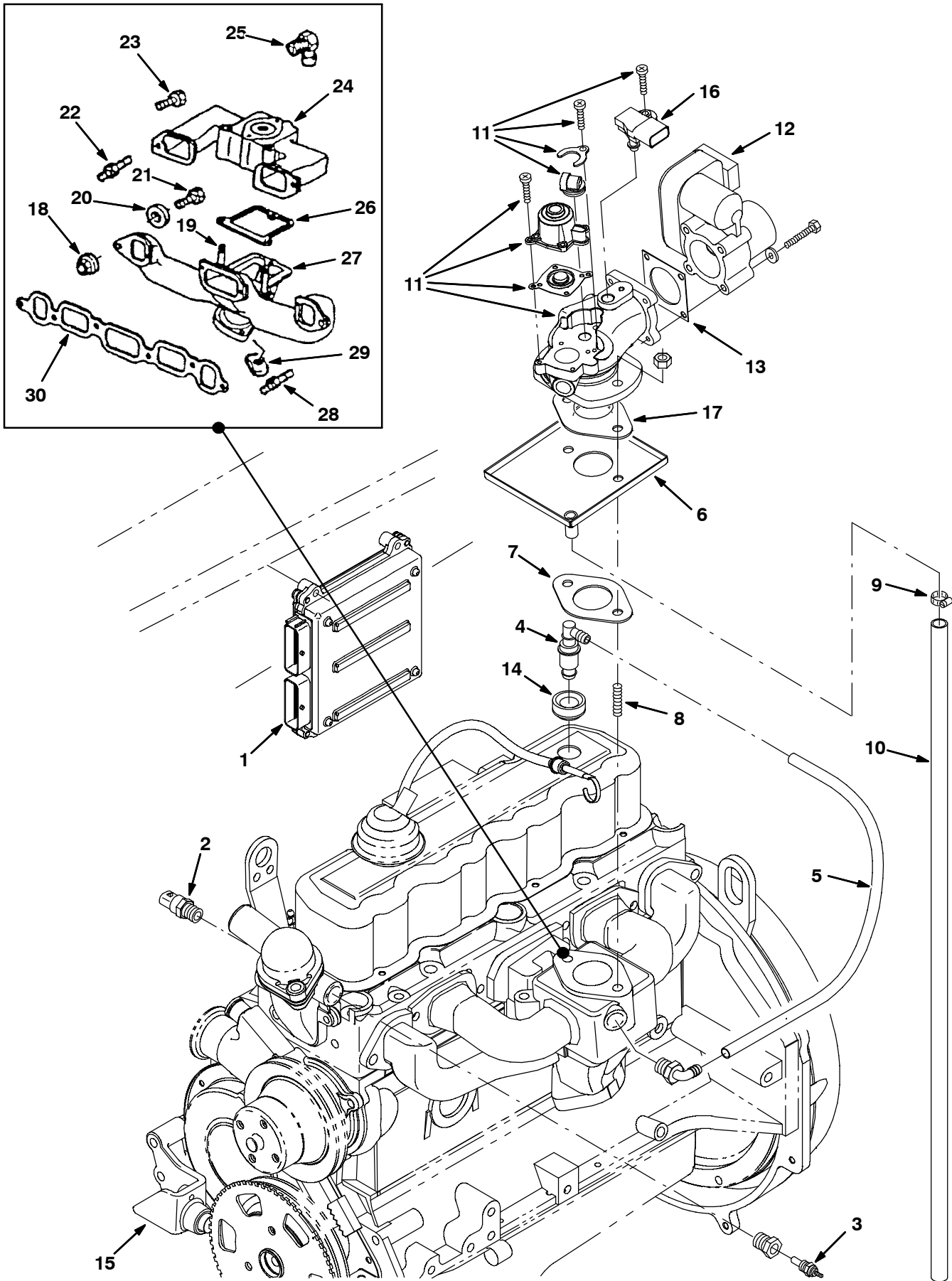


Fig. 28 - Engine EFI Group, Gas (014000-014999)

Ref.	Part No.	Serial Number	Description	Qty.
1	372860	(014000-014999 )	Module, Ecu, Gas [Gm 3.0]	1
2	372891	(014000-014999 )	Sensor, Temp, Coolant	1
3	372472	(014000-014999 )	Sensor, Temp	1
4	372483	(014000-014999 )	Valve, [Pcv]	1
5	372489	(014000-014999 )	Hose, 9.5mm X 450mm [Pcv]	1
6	1013350	(014000-014999 )	Tray Wldt, Drip, Gas [3.0]	1
7	372490	(014000-014999 )	Gasket, Carb	1
8	372466	(014000-014999 )	Stud, .38-16 X 1.2	2
9	63810	(014000-014999 )	Clamp, Hose, Wormdrive, 0.50-1.06d	1
10	16387	(014000-014999 )	Hose, Fuel, 0.50id 52.0	1
11	372488	(014000-014999 )	Housing Assy, Throttle, Gas	1
12	372482	(014000-014999 )	Housing, Throttle, 40mm [Bosch]	1
13	372545	(014000-014999 )	Gasket, Body, Throttle [1.6]	1
14	393984	(014000-014999 )	Grommet	1
15	372492	(014000-014999 )	Sensor, Speed, Timing Wheel [3.0]	1
16	372493	(014000-014999 )	Sensor, [Tmap]	1
17	372490	(014000-014999 )	Gasket, Carb	1
18	393905	(014000-014999 )	Nut	8
19	393906	(014000-014999 )	Stud	2
20	393907	(014000-014999 )	Washer	-
21	393898	(014000-014999 )	Bolt	3
22	393908	(014000-014999 )	Stud	1
23	393909	(014000-014999 )	Bolt	-
24	393910	(014000-014999 )	Manifold, Intake	1
25	393911	(014000-014999 )	Fitting	1
26	393912	(014000-014999 )	Gasket	1
27	393913	(014000-014999 )	Manifold, Exhaust	1
28	393914	(014000-014999 )	Stud	2
29	393915	(014000-014999 )	Clamp	4
30	393916	(014000-014999 )	Gasket	1

# STANDARD PARTS

Fig. 29 - Engine Electronic Fuel Ignition Group, Gas (015000- )

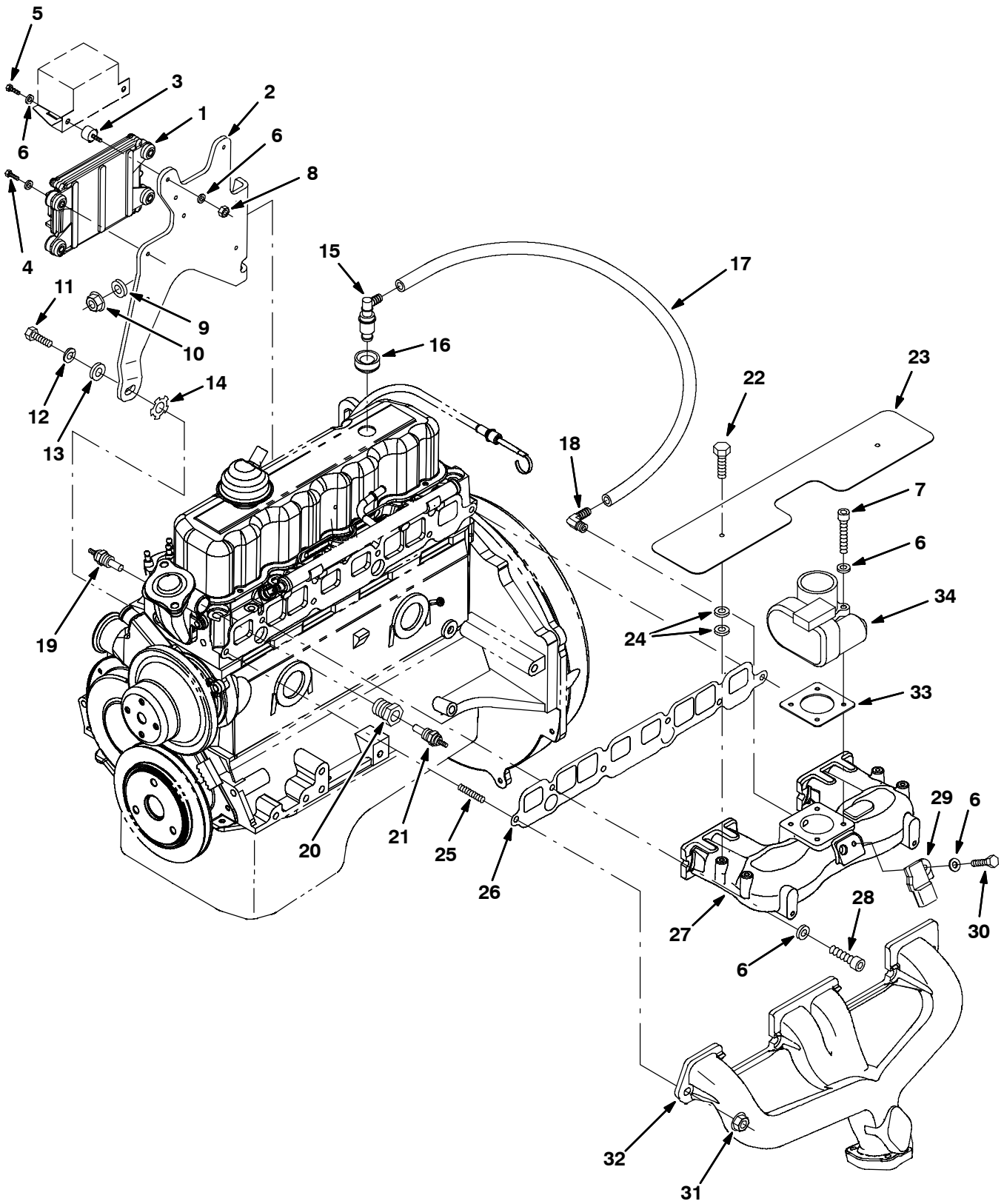




Fig. 29 - Engine Electronic Fuel Ignition Group, Gas (015000- )

Ref.	Part No.	Serial Number	Description	Qty.
1	1032804	(015000-	) Module, Ecu, Gas [Gm3.0l 2007]	1
2	385008	(015000-	) Bracket, Box, Relay	1
3	372470	(015000-	) Vr, Isolator, Box, Relay	1
4	25047	(015000-	) Screw, Hex, .25-20 X 1.25, G5	1
5	19315	(015000-	) Screw, Hex, .25-20 X 0.50, G5	1
6	32490	(015000-	) Washer, Flat, 0.25, Std	13
7	06948	(015000-	) Screw, Hex, M6 X 1.0 X 45, 8.8	4
8	19312	(015000-	) Nut, Hex, Std, .25-20	2
9	371877	(015000-	) Vr, Washer, Flat, 0.38, Hardened	1
10	27980	(015000-	) Nut, Hex, Flng, .38-16	1
11	371553	(015000-	) Screw, .38-16 X 1.00	1
12	371877	(015000-	) Washer, Flat, 0.38, Hardened	1
13	371509	(015000-	) Washer, Lock, 0.38	1
14	371875	(015000-	) Washer, Lock, Int / Ext, 0.38	1
15	372483	(015000-	) Valve [Pcv]	1
16	393984	(015000-	) Grommet	1
17	385001	(015000-	) Hose, Fuel, .38d, Rbr	1
18	385002	(015000-	) Fitting, E90	1
19	372891	(015000-	) Sensor, Temp, Coolant	1
20	385000	(015000-	) Fitting, Bshg	1
21	372472	(015000-	) Sensor, Temp	1
22	385007	(015000-	) Screw, M6 X 10mm	2
23	385006	(015000-	) Shield, Heat, Manifold	1
24	371877	(015000-	) Washer, Flat, 0.38, Hardened	4
25	372466	(015000-	) Stud, .38-16 X 1.2l	2
26	385003	(015000-	) Gasket, Manifold, Intake	1
27	385004	(015000-	) Manifold, Intake [2007]	1
28	10830	(015000-	) Screw, Soc, .38-16 X 1.00, Al	4
29	384985	(015000-	) Sensor [T Map]	1
30	19317	(015000-	) Screw, Hex, .25-20 X 0.75, G5	1
31	27980	(015000-	) Nut, Hex, Flng, .38-16	1
32	385005	(015000-	) Manifold, Exhaust [2007]	1
33	372545	(015000-	) Gasket, Body, Throttle [1.6l]	1
34	384974	(015000-	) Housing, Throttle, 40mm [Bosch]	1

Fig. 30 - Engine Carburetor & Governor Group, LPG (00000-013227)

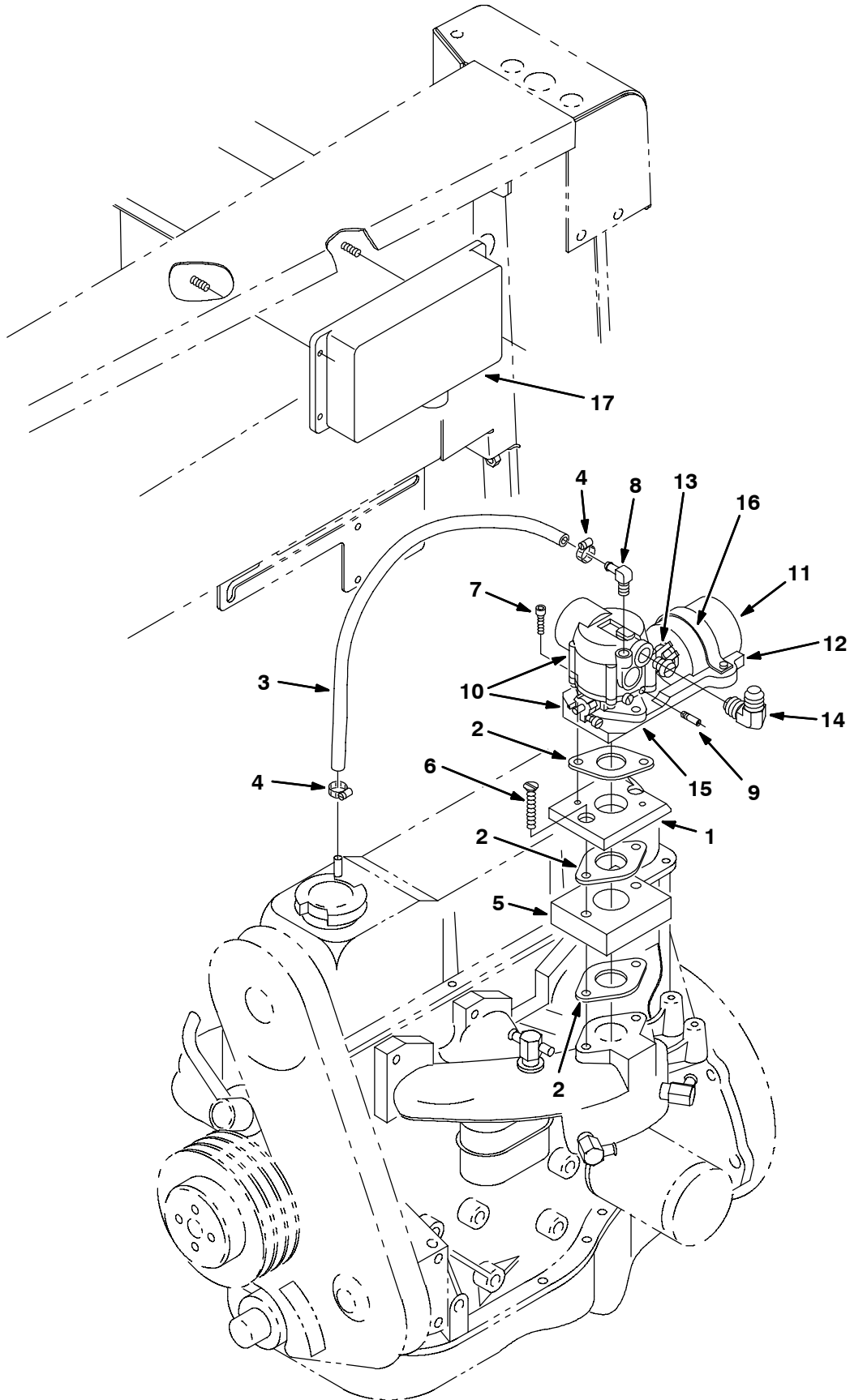


Fig. 30 - Engine Carburetor and Governor Group, LPG (000000-013227)

Ref.	Part No.	Serial Number	Description	Qty.
1	83686	(000000-013227 )	Adapter, Carburetor, Ford 2.3	1
2	74443	(000000-013227 )	Gasket, Carb To Engine	3
3	70876	(000000-012654 )	Hose, Rubber	1
3	375718	(012655-013227 )	Hose, Molded	1
4	43844	(000000-013227 )	Clamp-Wormdrive, 0.25- 0.62D	2
5	83587	(000000-013227 )	Spacer, Carb F/Impco Ca-50	1
6	73817	(000000-013227 )	Screw Flat M8X1.25 50	2
7	33951	(000000-013227 )	Screw Soc M 6X1.0	2
8	53029	(000000-013227 )	Fitting, Brass, Elbow	1
9	74402	(000000-013227 )	Fitting, Special	1
▽	374591	(000000-012574 )	Governor Assy, 8410 Lpg	1
▲▽	83640	(000000-012574 )	Governor, Lpg	1
▲▲	10 73017	(000000-012574 )	Carburetor, Lpg, With Gasket	1
▲▲	11 83683	(000000-012574 )	Actuator	1
▲▲	12 83682	(000000-012574 )	Bracket	1
▲▲	13 83684	(000000-012574 )	Linkage Kit	1
▲▲	14 69097	(000000-012574 )	Fitting, Hyd, Elbow	1
▲▲	15 74443	(000000-012574 )	Gasket	1
▲▲	16 83685	(000000-012574 )	Strap. Mounting, Actuator	1
▲▽	17 374592	(000000-012574 )	Control Unit, Gov (Replaced by 374127)	1
▲▲	374625	(000000-012574 )	Plug, Control Box	2
▽	385436	(012575-013227 )	Governor Assy, Ford 2.5 Lpg	1
▲▽	83640	(012575-013227 )	Governor, Lpg	1
▲▲	10 73017	(012575-013227 )	Carburetor, Lpg, With Gasket	1
▲▲	11 83683	(012575-013227 )	Actuator	1
▲▲	12 83682	(012575-013227 )	Bracket	1
▲▲	13 83684	(012575-013227 )	Linkage Kit	1
▲▲	14 69097	(012575-013227 )	Fitting, Hyd, Elbow	1
▲▲	15 74443	(012575-013227 )	Gasket	1
▲▲	16 83685	(012575-013227 )	Strap. Mounting, Actuator	1
▲▲	374127	( xxxxxx-013227 )	Kit, Replmt, Control, Govnr, [All Purps]	1
▽	17 385437	(012575-xxxxxx )	Control, Gov. 1475,2000,2600 E (Replaced by 374127)	1
▲	374625	(012575-xxxxxx )	Plug, Control Box	2

Fig. 31 - Engine Vaporizer Group, LPG (000000-013087)

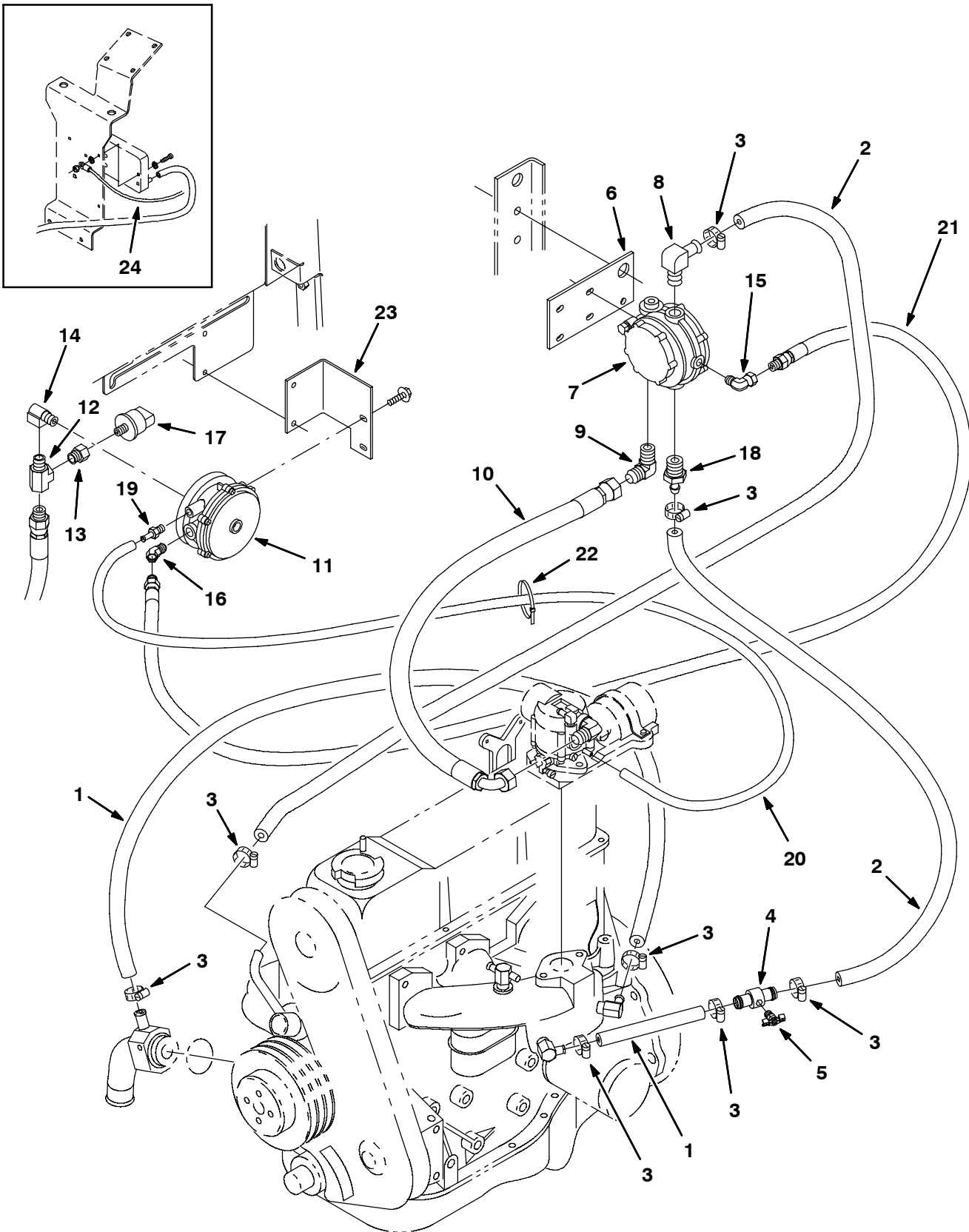


Fig. 31 - Engine Vaporizer Group, LPG (000000-013087)

Ref.	Part No.	Serial Number	Description	Qty.	
1	30389	(000000-013087 )	Hose,Heater .62ldx53.0Lg	1	
2	13048	(000000-013087 )	Hose,Heater .62ldx31.0Lg	2	
3	63810	(000000-013087 )	Clamp-Wormdrive, 0.56- 1.06D	8	
4	83578	(000000-013087 )	Tube, Air Bleed	1	
5	83580	(000000-013087 )	Fitting, Brass Drain Cock	1	
6	385425	(000000-013087 )	Plate, Mounting, Vaporizer	1	
▽	7	374648	(000000-013087 )	Vaporizer, Lpg	1
▲		374649	(000000-013087 )	Vaporizer Repair Kit	1
▲		374532	(000000-013087 )	High Alt Vaporizer Spring	1
8	51839	(000000-013087 )	Ftg-Brs E90 Bm10/Pm06	1	
9	05494	(000000-013087 )	Ftg-Hyd E90 Pm08/Jm12	1	
10	84006	(000000-013087 )	Hose-Lpg Med12 Spcl S12Jf/10J9	1	
11	73020	(000000-013087 )	Filter, Fuelockoff, Lpg	1	
12	56976A	(000000-013087 )	Ftg-Tee Npt 04Pm- 04Pf- 04Pf	1	
13	17414	(000000-013087 )	Ftg-Hyd Str Pm04/Pf02	1	
14	27048	(000000-013087 )	Fitting, Brass E90	1	
15	11442-1	(000000-013087 )	Ftg-El90 Npt/Npt S04Pf-04Pm	1	
16	47720	(000000-013087 )	Ftg-Hyd E45	1	
17	23156	(000000-013087 )	Switch, Pressure, Lpg Nc 70Psi	1	
18	27767	(000000-013087 )	Fitting Brass Str	1	
19	40607	(000000-013087 )	Ftg,Brass,St Bm03/Pm02	1	
20	369723	(000000-013087 )	Hose, Vacuum	1	
21	22308-3	(000000-013087 )	Hose, LPG	1	
22	49266	(000000-013087 )	Tie, Cable	2	
23	369719	(000000-013087 )	Angle	1	
24	374615	(000000-012400 )	Wire Kit	1	

**Fig. 32 - Engine Vaporizer Group, LPG (013088-013227)**

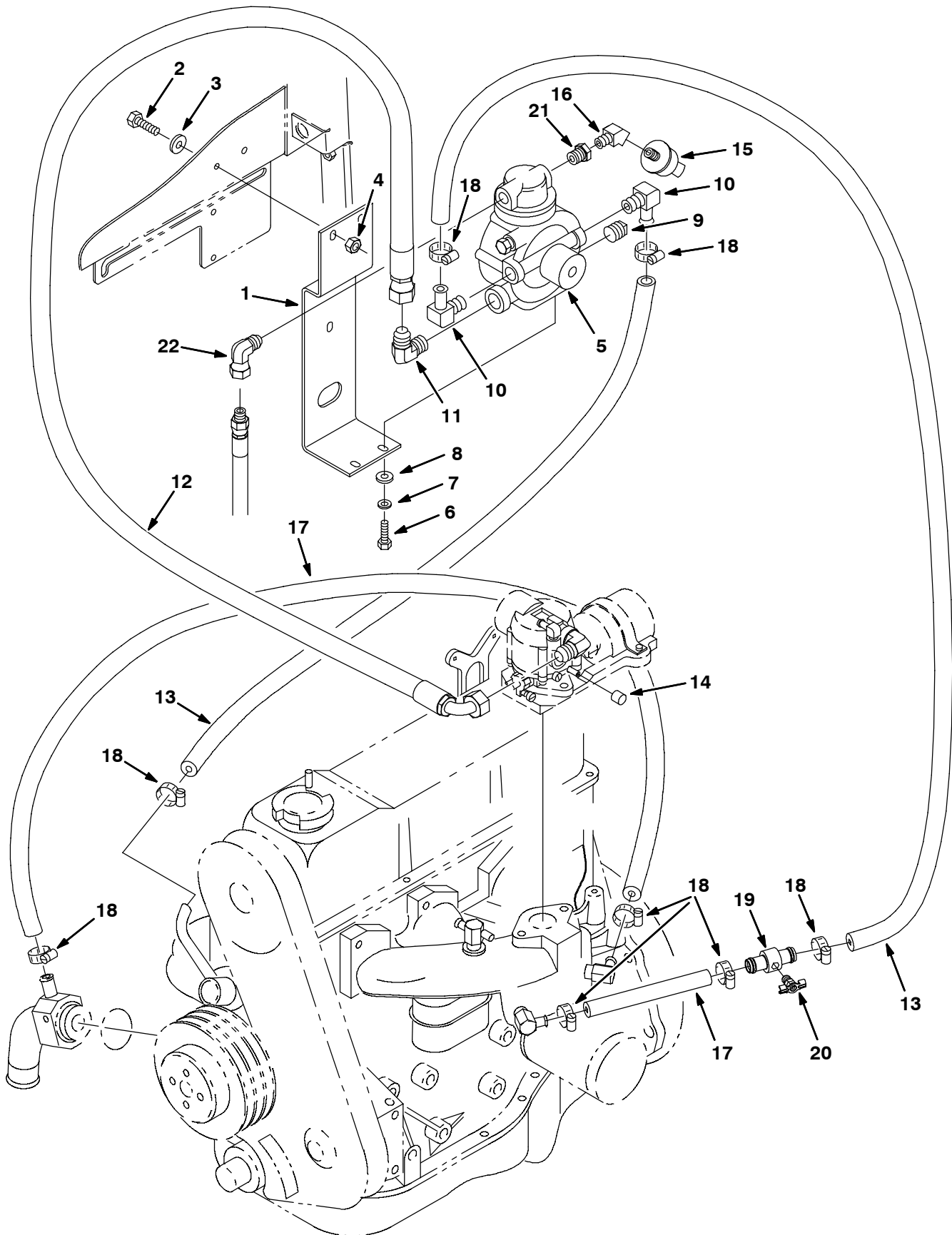


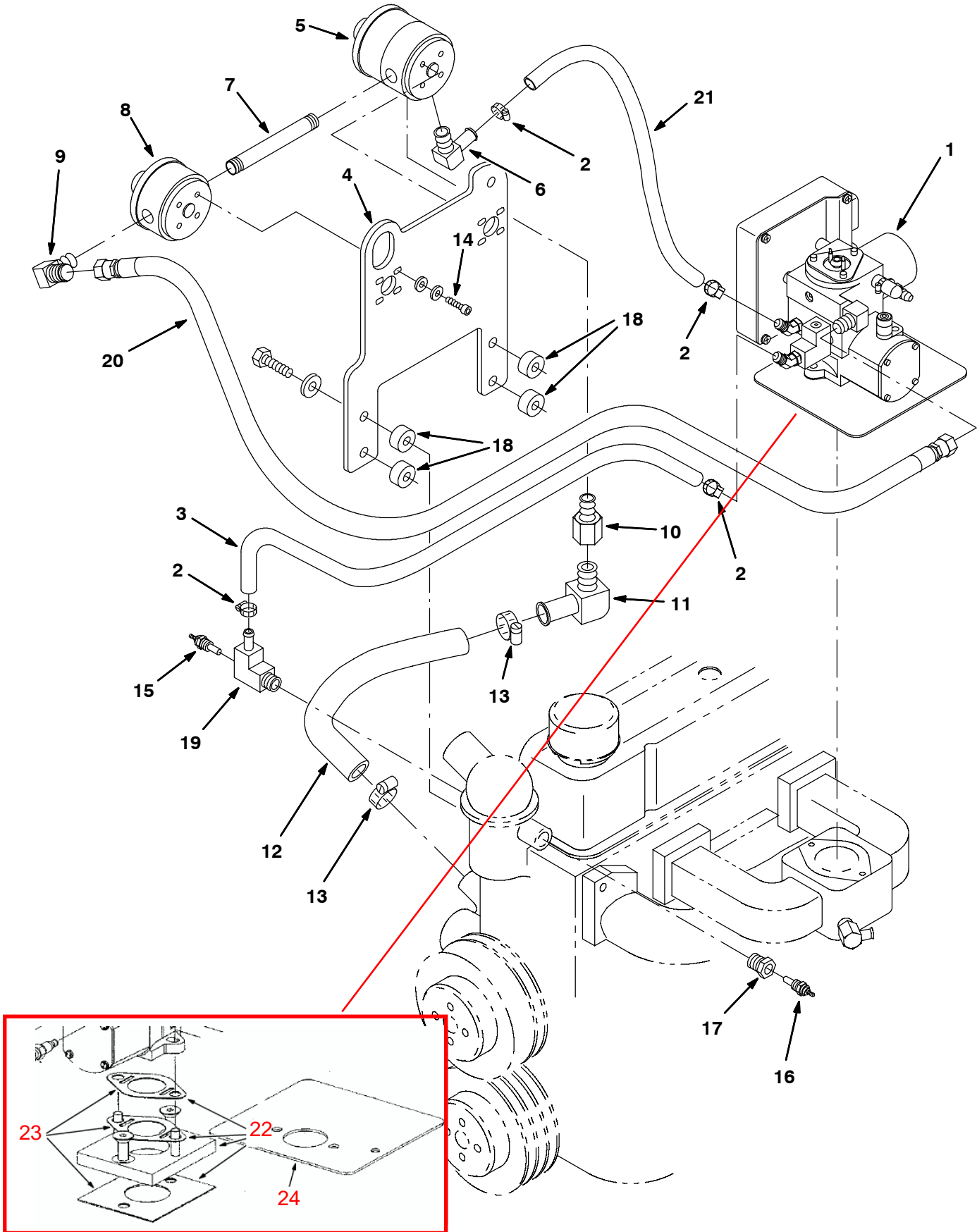
Fig. 32 - Engine Vaporizer Group, LPG (013088-013227)

Ref.	Part No.	Serial Number	Description	Qty.	
1	374153	(013088-013227 )	Bracket, Mtg, Regulator/Lockoff	1	
2	06943	(013088-013227 )	Screw, Hex, M06 X 1.0 X 20, 8.8	4	
3	32483	(013088-013227 )	Washer, Flt, .25 Sae	4	
4	07790	(013088-013227 )	Nut, Hex, Flng, M06 X 1.0	4	
▽	5	383170	(013088-013227 )	Controller, Lpg, 12vdc	1
▲	383014	(013088-013227 )	Kit, Repair, Vaporizer, F/383170	1	
6	06942	(013088-013227 )	Screw, Hex, M06 X 1.0 X 16, 8.8	2	
7	32982	(013088-013227 )	Washer, Lock, Int, .25	2	
8	32483	(013088-013227 )	Washer, Flt, .25 Sae	2	
9	17521	(013088-013227 )	Fitting, Plug, Pm08 Sq Head	1	
10	51839	(013088-013227 )	Fitting, Brs, E90, Pm06/Em10	2	
11	46611	(013088-013227 )	Fitting, Hyd, E90, Pm08/Jm10	1	
12	374155	(013088-013227 )	Hose, Lpg, 52 L	1	
13	374157	(013088-013227 )	Hose, Heater, 0.62id 48.0L	2	
14	630094	(013088-013227 )	Grip, Console Adjust Lever	1	
15	23156	(013088-013227 )	Switch	1	
16	24976	(013088-013227 )	Fitting, Brs, E45, Pm02/Pf02	1	
17	30389	(013088-013227 )	Hose, Heater, 0.62id 53.0l (Cut in 2)	1	
18	63810	(013088-013227 )	Clamp, Hose, Wormdrive, 0.56-1.06d	8	
19	83578	(013088-013227 )	Tube, Air Bleed	1	
20	83580	(013088-013227 )	Fitting, Brs, Drain Cock	1	
21	17414	(013088-013227 )	Fitting, Hyd, Str, Pm04/Pf02	1	
22	11442-1	(013088-013227 )	Fitting, Hyd, E90, Swivel Pf04/Pm04	1	

# STANDARD PARTS

**Fig. 33 - Engine EFI and Vaporizer Group, LPG (013228-013999 version 1)**

*NOTE: Repair parts in this Serial Number range are identified in Fig.30 or Fig. 31.*





**Fig. 33 - Engine EFI and Vaporizer Group, LPG (013228-013999 version 1)**

NOTE: Repair parts in this Serial Number range are identified in Fig.30 or Fig. 31.

Ref.	Part No.	Serial Number	Description	Qty.
1	371894	(013228-013999 )	Housing Assy, Throttle, Lpg, [With Ecu] (See Breakdowns)	1
1	371895	(013228-013999 )	Housing Assy, Throttle, Lpg, [Without Ecu] (See Breakdowns)	1
2	371538	(013228-013999 )	Clamp	4
3	769808	(013228-013999 )	Hose, Heater, 0.38id x 18	2
4	392570	(013228-013999 )	Plate	1
5	371749	(013228-013999 )	Vaporizer	1
6	371754	(013228-013999 )	Fitting	1
7	371755	(013228-013999 )	Pipe	1
8	371750	(013228-013999 )	Regulator	1
9	371758	(013228-013999 )	Fitting	1
10	371768	(013228-013999 )	Fitting	1
11	371757	(013228-013999 )	Fitting	1
12	393972	(013228-013999 )	Hose, Conv	1
13	11399	(013228-013999 )	Clamp, Hose, Wormdrive, 0.81-1.50d	2
14	371759	(013228-013999 )	Screw	8
15	371764	(013228-013999 )	Sensor, Water Temp	1
16	36165	(013228-013999 )	Send-unit, Water, Temperature, .38npt	1
17	47167	(013228-013999 )	Fitting, Brs, Str, Pm08/Pf06	1
18	371767	(013228-013999 )	Spacer	4
19	371766	(013228-013999 )	Fitting, Elbow	1
20	07597	(013228-013999 )	Hose, Hi Press, Lp	1
21	769806	(013228-013999 )	Hose, Heater, 0.38id x 21.0id	1

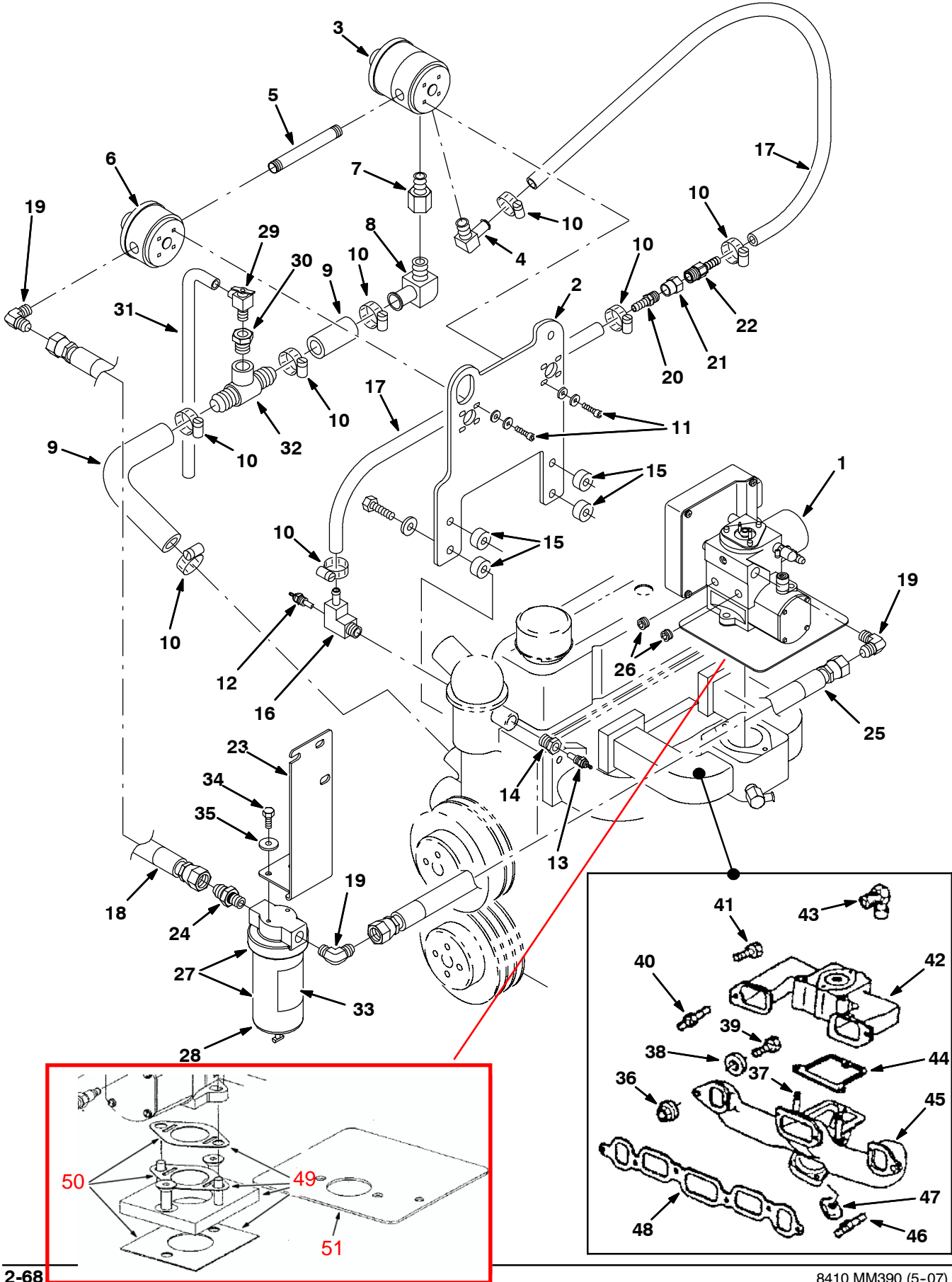
these parts are NOT included in #1;

- 22 371646 Kit, Adaptor
- 23 371647 Kit, Gasket (part of #22)
- 24 371658 Shield, Heat

# STANDARD PARTS

**Fig. 34 - Engine EFI and Vaporizer Group, LPG (013228-013999 version 2)**

*NOTE: Repair parts in this Serial Number range are identified in Fig.30 or Fig. 31.*



**Fig. 34 - Engine EFI and Vaporizer Group, LPG (013228-013999 version 2)**

NOTE: Repair parts in this Serial Number range are identified in Fig.30 or Fig. 31.

Ref.	Part No.	Serial Number	Description	Qty.	
1	371894	(013228-013999 )	Housing Assy, Throttle, Lpg, [With Ecu] (See Breakdowns)	1	
1	371895	(013228-013999 )	Housing Assy, Throttle, Lpg, [Without Ecu] (See Bkdns)	1	
2	392570	(013228-013999 )	Plate	1	
3	371749	(013228-013999 )	Vaporizer	1	
4	371754	(013228-013999 )	Fitting	1	
5	371755	(013228-013999 )	Pipe	1	
6	371750	(013228-013999 )	Regulator	1	
7	371768	(013228-013999 )	Fitting	1	
8	371757	(013228-013999 )	Fitting	1	
9	393972	(013228-013999 )	Hose, Conv	1	
10	11399	(013228-013999 )	Clamp, Hose, Wormdrive, 0.81-1.50d	8	
11	371759	(013228-013999 )	Screw	8	
12	371764	(013228-013999 )	Sensor, Water Temp	1	
13	36165	(013228-013999 )	Send-unit, Water, Temperature, .38npt	1	
14	47167	(013228-013999 )	Fitting, Brs, Str, Pm08/Pf06	1	
15	371767	(013228-013999 )	Spacer	4	
16	371766	(013228-013999 )	Fitting, Elbow	1	
17	769806	(013228-013999 )	Hose, Heater, 0.38id x 21.0id	1	
18	1017471	(013228-013999 )	Hose, Lpg, Med08, Jf08str/Jf08str , 8.5	1	
19	1017272	(013228-013999 )	Fitting, Hyd, E90, Jm08/Pm04	3	
20	150516	(013228-013999 )	Fitting, Brs, Str, Pm04/Bm06, T	1	
21	1017239	(013228-013999 )	Fitting, Brs, Rst, Pf04/.69-16f, .063	1	
22	1017598	(013228-013999 )	Fitting, Plstc, Str, Bm06/M.69-16	1	
23	1017072	(013228-013999 )	Bracket, Fltr, Lpg [8410]	1	
24	87833	(013228-013999 )	Fitting, Hyd, Str, Pm04/Jm08	1	
25	1017475	(013228-013999 )	Hose, Lpg, Med08, Jf08str/Jf08str , 10.5	1	
26	02247	(013228-013999 )	Fitting, Pipe, Plug, Pm04 Hex Soc	2	
▽	27	1017500	(013228-013999 )	Filter, Fuel, Lpg [Coalescent]	1
▲	28	372937	(013228-013999 )	Element, Fltr, Fuel Lpg [Coalescent]	1
29	51305	(013228-013999 )	Fitting, Draincock, .25npt 90	1	
30	311828	(013228-013999 )	Fitting, Brs, Str, Pm08/Pf04	1	
31	392258	(013228-013999 )	Hose, Pvc, Clr, 0.38id 0.56od 13.00l	1	
32	64740	(013228-013999 )	Fitting, Plstc, Tee, Bm12/Pf08/Bm12	1	
33	1017662	(013228-013999 )	Label, Instr, Filter Drain	1	
34	19317	(013228-013999 )	Screw, Hex, .25-20 X 0.75, 5	2	
35	29570	(013228-013999 )	Washer, Flat, 0.28b 1.00d .06, Stl	2	
	130041	(013228-013999 )	Tie, Wire 11-1/2x.19 Ny (not shown)	6	
36	393905	(013228-013999 )	Nut	8	
37	393906	(013228-013999 )	Stud	2	
38	393907	(013228-013999 )	Washer	-	
39	393898	(013228-013999 )	Bolt	3	
40	393908	(013228-013999 )	Stud	1	
41	393909	(013228-013999 )	Bolt	-	
42	393910	(013228-013999 )	Manifold, Intake	1	
43	393911	(013228-013999 )	Fitting	1	
44	393912	(013228-013999 )	Gasket	1	
45	393913	(013228-013999 )	Manifold, Exhaust	1	
46	393914	(013228-013999 )	Stud	2	
47	393915	(013228-013999 )	Clamp	4	
48	393916	(013228-013999 )	Gasket	1	

these parts are NOT included in #1;

49 371646 Kit, Adaptor

50 371647 Kit, Gasket (part of #48)

51 371658 Shield, Heat

# STANDARD PARTS

Fig. 35 - Engine Electronic Fuel Ignition and Vaporizer Group, LPG (014000-014999)

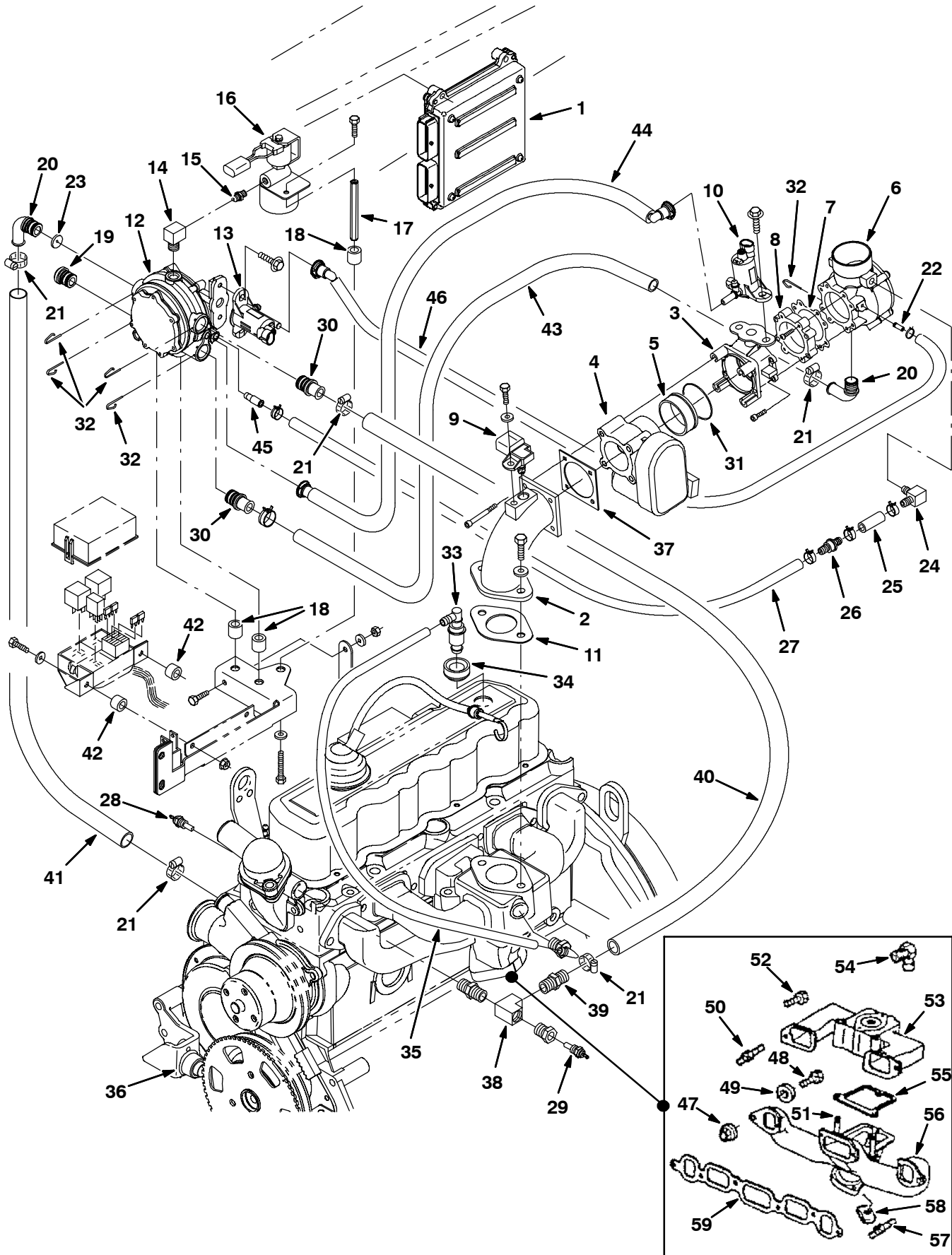


Fig. 35 - Engine Electronic Fuel Ignition and Vaporizer Group, LPG (014000-014999)

Ref.	Part No.	Serial Number	Description	Qty.	
1	372859	(014000-014999 )	Module, Ecu, Lpg [Gm 3.0]	1	
2	372495	(014000-014999 )	Adaptor, Intake, Lpg [3.0]	1	
3	372496	(014000-014999 )	Adaptor, Valve, Fuel Trim	1	
372482	<del>372497</del>	(014000-014999 )	<del>Valve, Body, Throttle, Lpg</del> Housing, Throttle, 40MM (Bosch)	1	
5	372498	(014000-014999 )	Sleeve, Throttle [Bosch], Plstc	1	
6	372899	(014000-014999 )	Housing Assy, Throttle, Lpg [Gm 3.0]	1	
7	372608	(014000-014999 )	Gasket	1	
8	372612	(014000-014999 )	Adapter, Throttle Body	1	
9	372493	(014000-014999 )	Sensor, [Tmap]	1	
13	<del>10</del> 372501	(014000-014999 )	Valve, Trim, Fuel, <del>Normal Flow</del> LPG	1	
11	372490	(014000-014999 )	Gasket, Carb	1	
12	372500	(014000-014999 )	Converter, Lpg	1	
372497	<del>10</del> <del>13</del> 372581	(014000-014999 )	Valve, Trim, Fuel, <del>Normal Flow, E90</del> LPG	1	
14	372611	(014000-014999 )	Fitting, Str, E90, .25npt	1	
15	372610	(014000-014999 )	Fitting, Nipple, .25npt, Brs	1	
▽	16	372503	(014000-014999 )	Valve, Fuelock, Lpg, W/ Wire Connector	1
▲		372615	(014000-014999 )	Filter Kit, Lpg Lockoff	1
17	372577	(014000-014999 )	Spacer, Sppt, Filter Lock Off	1	
18	372518	(014000-014999 )	Isolator Kit, Mtg, Vaporizer, Rbr	3	
19	372515	(014000-014999 )	Fitting, Cap	1	
20	372512	(014000-014999 )	Fitting, E70	2	
21	63810	(014000-014999 )	Clamp, Hose, Wormdrive, 0.56-1.06d	5	
22	372511	(014000-014999 )	Fitting, Hose, Vacuum, .25	1	
23	372517	(014000-014999 )	Restrictor, Jet, Coolant	1	
24	372510	(014000-014999 )	Fitting, E90	1	
25	372507	(014000-014999 )	Hose, Balancing, Press, 45mm	1	
26	372569	(014000-014999 )	Valve, Check	1	
27	372506	(014000-014999 )	Hose, Balancing, Press, 680mm	1	
28	372891	(014000-014999 )	Sensor, Temp, Coolant	1	
29	372472	(014000-014999 )	Sensor, Temp	1	
30	372514	(014000-014999 )	Fitting, Str	2	
31	372484	(014000-014999 )	Seal, Org	1	
32	372523	(014000-014999 )	Pin, Retainer	5	
33	372483	(014000-014999 )	Valve, [Pcv]	1	
34	393984	(014000-014999 )	Grommet	1	
35	372489	(014000-014999 )	Hose, 9.5mm X 450mm [Pcv]	1	
36	372492	(014000-014999 )	Sensor, Speed, Timing Wheel [3.0]	1	
37	372545	(014000-014999 )	Gasket, Body, Throttle [1.6]	1	
38	372527	(014000-014999 )	Fitting, Pipe, Tee, Pm06/Pf06/Pf06	1	
39	372526	(014000-014999 )	Fitting, Hose, 10hose/Pm06	1	
40	372531	(014000-014999 )	Hose, Mold, .62 X 37.0	1	
41	372528	(014000-014999 )	Hose, Mold, .62 To .75	1	
42	372470	(014000-014999 )	Isolator, Box, Relay	2	
43	372508	(014000-014999 )	Hose, Fuel, 165mm	1	
44	372504	(014000-014999 )	Hose, Valve, Fuel Trim, 325mm	1	
45	372516	(014000-014999 )	Fitting, Brs, Adapter	1	
46	372505	(014000-014999 )	Hose, Valve, Press Trim, 405mm	1	
47	393905	(014000-014999 )	Nut	8	
48	393906	(014000-014999 )	Stud	2	
49	393907	(014000-014999 )	Washer	-	
50	393898	(014000-014999 )	Bolt	3	

**Fig. 35 - Engine Electronic Fuel Ignition and Vaporizer Group, LPG (014000-014999)**

<b>Ref.</b>	<b>Part No.</b>	<b>Serial Number</b>	<b>Description</b>	<b>Qty.</b>
51	393908	(014000-014999 )	Stud	1
52	393909	(014000-014999 )	Bolt	-
53	393910	(014000-014999 )	Manifold, Intake	1
54	393911	(014000-014999 )	Fitting	1
55	393912	(014000-014999 )	Gasket	1
56	393913	(014000-014999 )	Manifold, Exhaust	1
57	393914	(014000-014999 )	Stud	2
58	393915	(014000-014999 )	Clamp	4
59	393916	(014000-014999 )	Gasket	1



# STANDARD PARTS

Fig. 36 - Engine Electronic Fuel Ignition and Vaporizer Group, LPG (015000- )

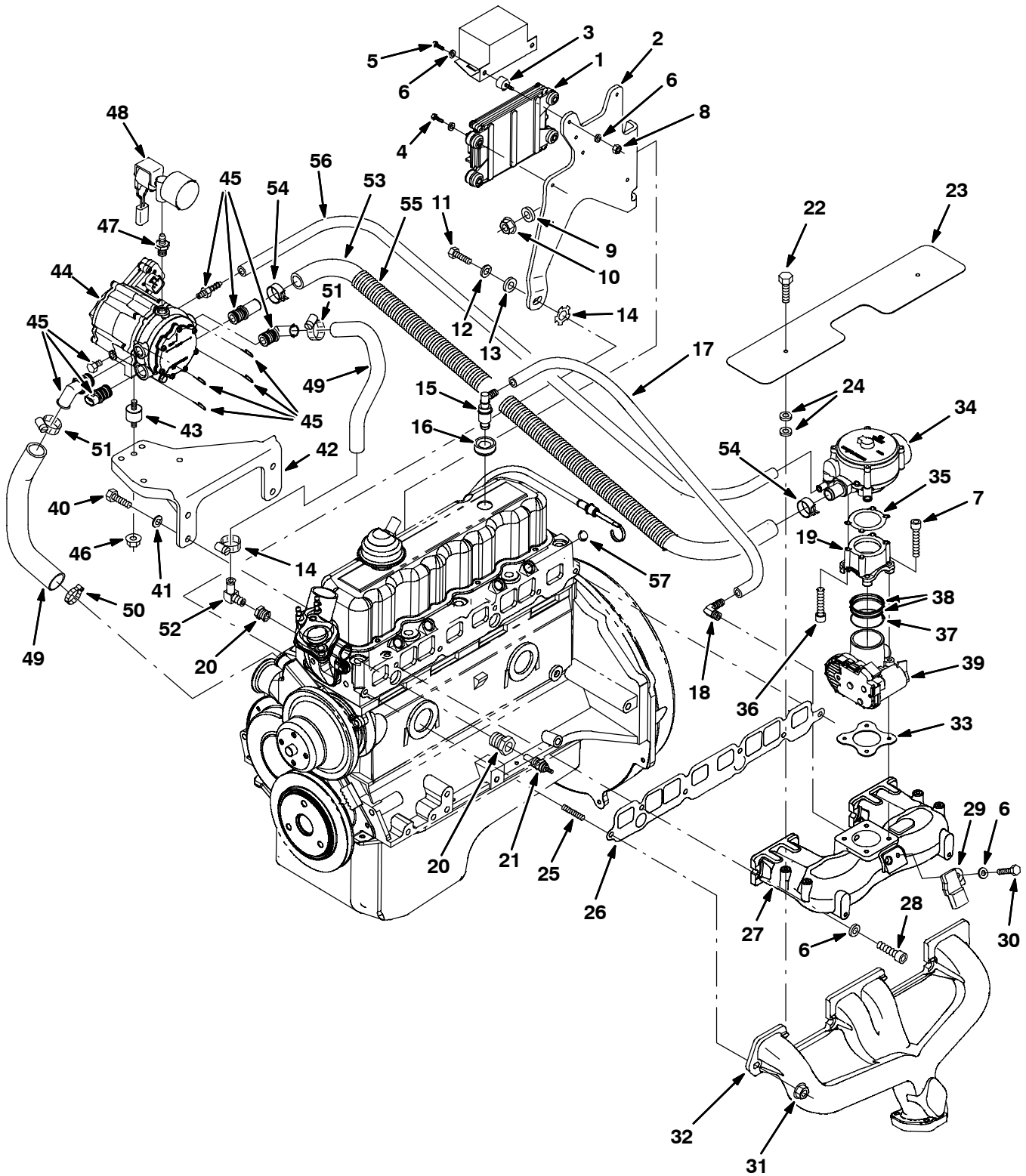




Fig. 36 - Engine Electronic Fuel Ignition and Vaporizer Group, LPG (015000- )

Ref.	Part No.	Serial Number	Description	Qty.
1	1032805	(015000-	) Module, Ecu, Lpg [Gm3.0l 2007]	1
2	385008	(015000-	) Bracket, Box, Relay	1
3	372470	(015000-	) Vr, Isolator, Box, Relay	1
4	25047	(015000-	) Screw, Hex, .25-20 X 1.25, G5	4
5	19315	(015000-	) Screw, Hex, .25-20 X 0.50, G5	2
6	32490	(015000-	) Washer, Flat, 0.25, Std	13
7	385016	(015000-	) Screw, Soc, M6 X 1.00 X 70	4
8	19312	(015000-	) Nut, Hex, Std, .25-20	2
9	371877	(015000-	) Vr, Washer, Flat, 0.38, Hardened	1
10	27980	(015000-	) Nut, Hex, Flng, .38-16	1
11	371553	(015000-	) Screw, .38-16 X 1.00	1
12	371877	(015000-	) Washer, Flat, 0.38, Hardened	1
13	371509	(015000-	) Washer, Lock, 0.38	1
14	371875	(015000-	) Washer, Lock, Int / Ext, 0.38	1
15	372483	(015000-	) Valve [Pcv]	1
16	393984	(015000-	) Grommet	1
17	385001	(015000-	) Hose, Fuel, .38d, Rbr	1
18	385002	(015000-	) Fitting, E90	1
19	384996	(015000-	) Adapter, Valve, 400mm [Bosch]	1
20	385000	(015000-	) Fitting, Bshg	2
21	372472	(015000-	) Sensor, Temp	1
22	385007	(015000-	) Screw, M6 X 10mm	2
23	385006	(015000-	) Shield, Heat, Manifold	1
24	371877	(015000-	) Washer, Flat, 0.38, Hardened	4
25	372466	(015000-	) Stud, .38-16 X 1.2l	2
26	385003	(015000-	) Gasket, Manifold, Intake	1
27	385004	(015000-	) Manifold, Intake [2007]	1
28	10830	(015000-	) Screw, Soc, .38-16 X 1.00, Al	4
29	384985	(015000-	) Sensor [T Map]	1
30	19317	(015000-	) Screw, Hex, .25-20 X 0.75, G5	1
31	27980	(015000-	) Nut, Hex, Flng, .38-16	1
32	385005	(015000-	) Manifold, Exhaust [2007]	1
33	372545	(015000-	) Gasket, Body, Throttle [1.6l]	1
34	385012	(015000-	) Valve, Lpg [Mixer]	1
35	1037313	(015000-	) Gasket, Lpg, Adapter [Gm 2007]	1
36	385017	(015000-	) Screw, Soc, #12-24 X 1.50	1
37	1037311	(015000-	) Seal,Org, Lpg, Mixer [Gm 2007]	1
38	1037312	(015000-	) Gasket, Lpg, Mixer [Gm 2007]	2
39	384974	(015000-	) Housing, Throttle, 40mm [Bosch]	1
40	371553	(015000-	) Screw, .38-16 X 1.00	4
41	371509	(015000-	) Washer, Lock, 0.38	4
42	385014	(015000-	) Bracket [Epr]	2
43	384986	(015000-	) Isolator [Epr]	3
44	384977	(015000-	) Regulator [Ep]	1
45	384978	(015000-	) Fitting Kit [Epr]	1
46	385015	(015000-	) Nut, Flng, M8	3
47	372529	(015000-	) Fitting, Nipple, .25mal	1
48	384975	(015000-	) Valve, Lock Off	1
49	372528	(015000-	) Hose, Mold, .62 To .75	2
50	63810	(015000-	) Clamp, Hose, Wormdrive, 0.56-1.06d, .56w	1

## STANDARD PARTS

354175 - 8410, 800, LP

**Fig. 36 - Engine Electronic Fuel Ignition and Vaporizer Group, LPG (015000- )**

<b>Ref.</b>	<b>Part No.</b>	<b>Serial Number</b>	<b>Description</b>	<b>Qty.</b>
51	372539	(015000-	) Clamp, Hose, 1.0	3
52	385011	(015000-	) Fitting, E90	1
53	385013	(015000-	) Hose, Mold [Epr To Mixer]	1
54	384979	(015000-	) Clamp, Hose, Spring, 0.62d	2
55	384971	(015000-	) Cover, Hose	1
56	384973	(015000-	) Hose, Supply, Gas, .25id	1
57	372579	(015000-	) Plug, Hole, Injector	4



Fig. 37 - Engine Air Cleaner Group (000000-013227)

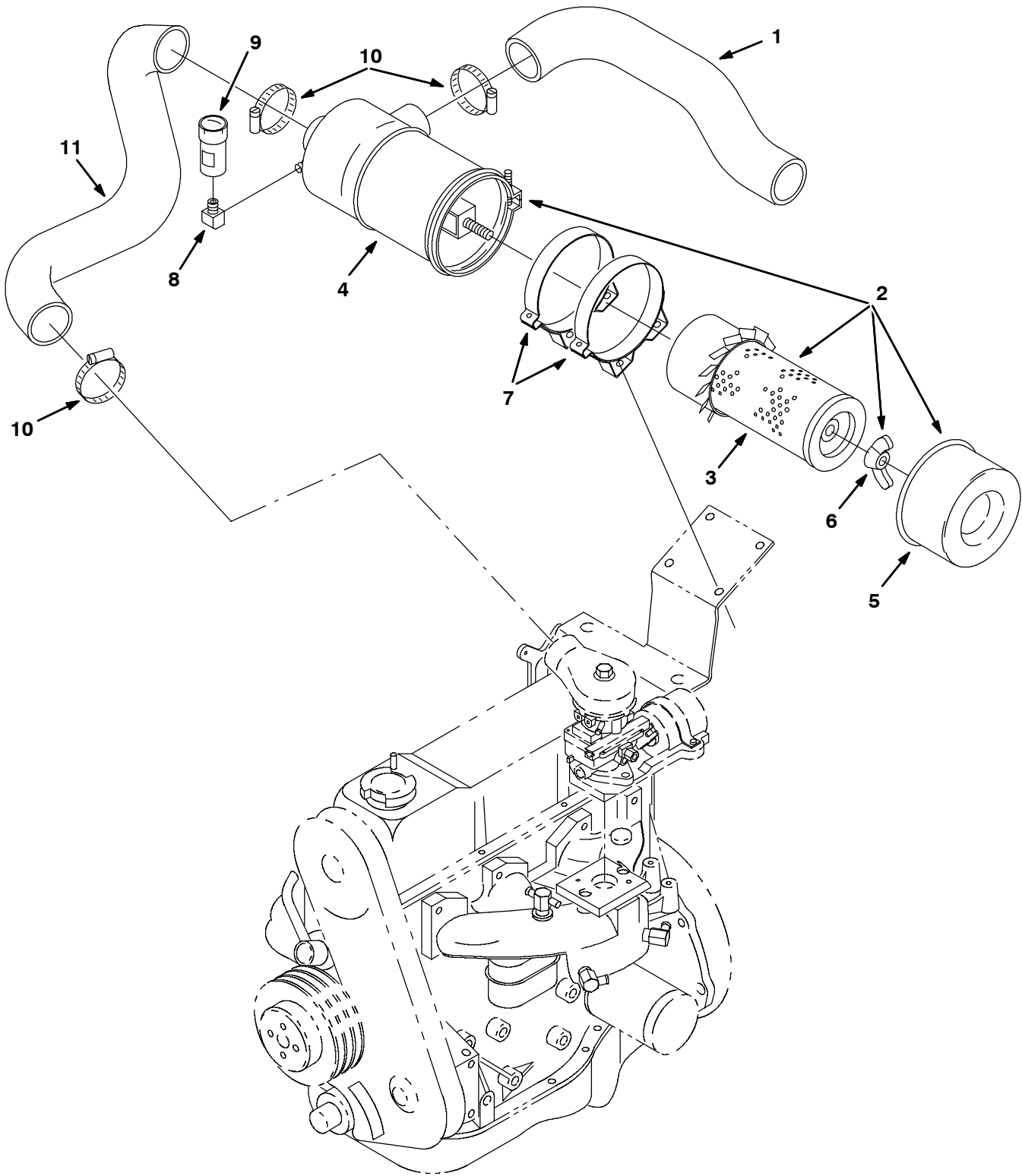


Fig. 37 - Engine Air Cleaner Group (000000-013227)

Ref.	Part No.	Serial Number	Description	Qty.
	1	78845	(000000-013227 ) Hose, Air Intake, Molded	1
▽	2	58538	(000000-013227 ) Air Cleaner	1
▲	3	58120	(000000-013227 ) Filter Element, Air	1
▲	4	02740	(000000-013227 ) Clamp Assy	1
▲	5	02741	(000000-013227 ) Cup Assy	1
▲	6	07562	(000000-013227 ) Nut,Wing .44-20 Special	1
	7	51560-3	(000000-013227 ) Clamp,Mounting,Cyclopac Aircl.	2
	8	11984	(000000-013227 ) Ftg, EI90 Npt/02Pf-02Pm	1
	9	03026	(000000-013227 ) Indicator Service Air Filter	1
	10	14432	(000000-013227 ) Clamp-Wormdrive, 1.81- 2.75D	3
	11	84087	(000000-013227 ) Hose, Air Intake, Molded, Gas	1

**Fig. 38 - Engine Air Cleaner Group (013228-013999)**

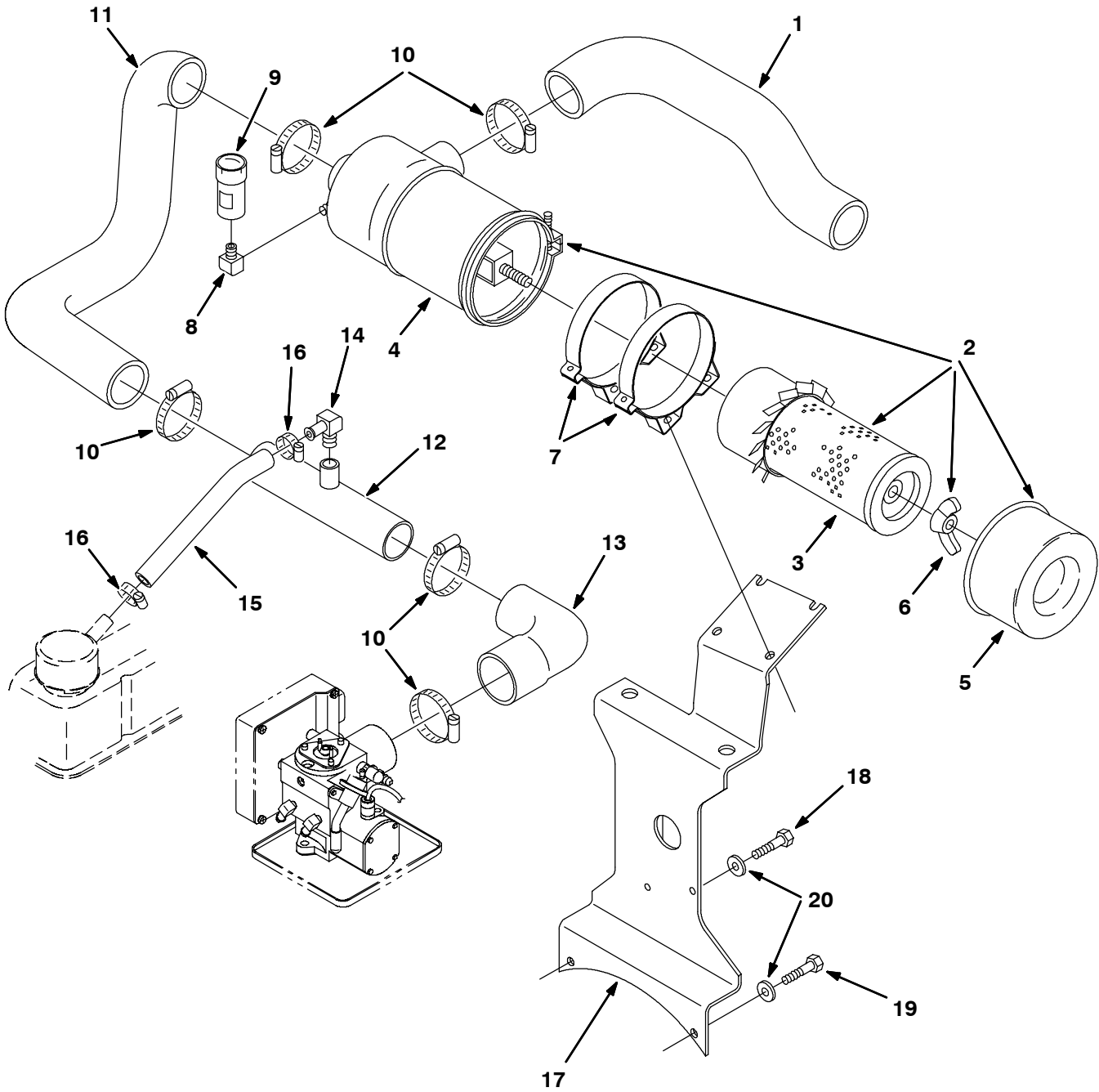


Fig. 38 - Engine Air Cleaner Group (013228-013999)

Ref.	Part No.	Serial Number	Description	Qty.
	1	78845	(013228-013999 ) Hose, Air Intake, Molded	1
▽	2	58538	(013228-013999 ) Air Cleaner	1
▲	3	58120	(013228-013999 ) Filter Element, Air	1
▲	4	02740	(013228-013999 ) Clamp Assy	1
▲	5	02741	(013228-013999 ) Cup Assy	1
▲	6	07562	(013228-013999 ) Nut,Wing .44-20 Special	1
	7	51560-3	(013228-013999 ) Clamp,Mounting,Cyclopac Aircl.	2
	8	11984	(013228-013999 ) Ftg, EI90 Npt/02Pf-02Pm	1
	9	03026	(013228-013999 ) Indicator Service Air Filter	1
	10	14432	(013228-013999 ) Clamp-Wormdrive, 1.81- 2.75D	5
	11	392639	(013228-013999 ) Hose, Air, Rework, G/Lp [Gm 3.0], Mold	1
	12	392648	(013228-013999 ) Tube Wldt, Intake, 2.0d .38npt	1
	13	392641	(013228-013999 ) Hose, Air, G/Lp [Gm 3.0], Mold	1
	14	51839	(013228-013999 ) Fitting, Brs, E90, Em10/Pm06	1
	15	72978	(013228-013999 ) Hose, Heater, 0.62id 13.0l	1
	16	63810	(013228-013999 ) Clamp, Hose, Wormdrive, 0.56-1.06d	2
	17	392577	(013228-013999 ) Bracket Wldt, Mtg, Fltr, Air, [Gm3.0]	1
	18	21198	(013228-013999 ) Screw, Hex, .38-16 X 1.25, 5	1
	19	27989	(013228-013999 ) Screw, Hex, .38-16 X 1.75, 5	1
	20	32492	(013228-013999 ) Washer, Flat, .38 Std	2

**Fig. 39 - Engine Air Cleaner Group (014000-014999)**

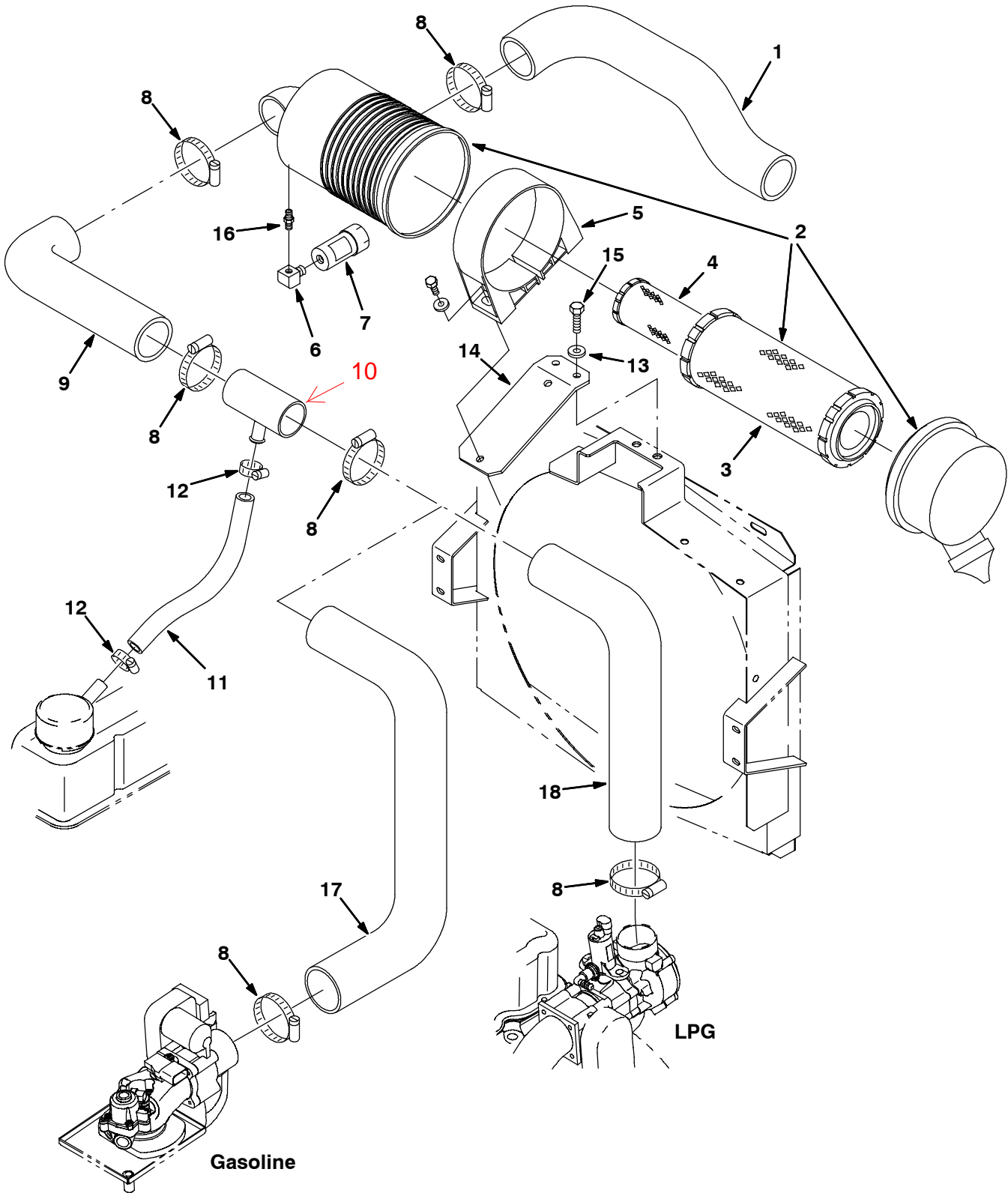
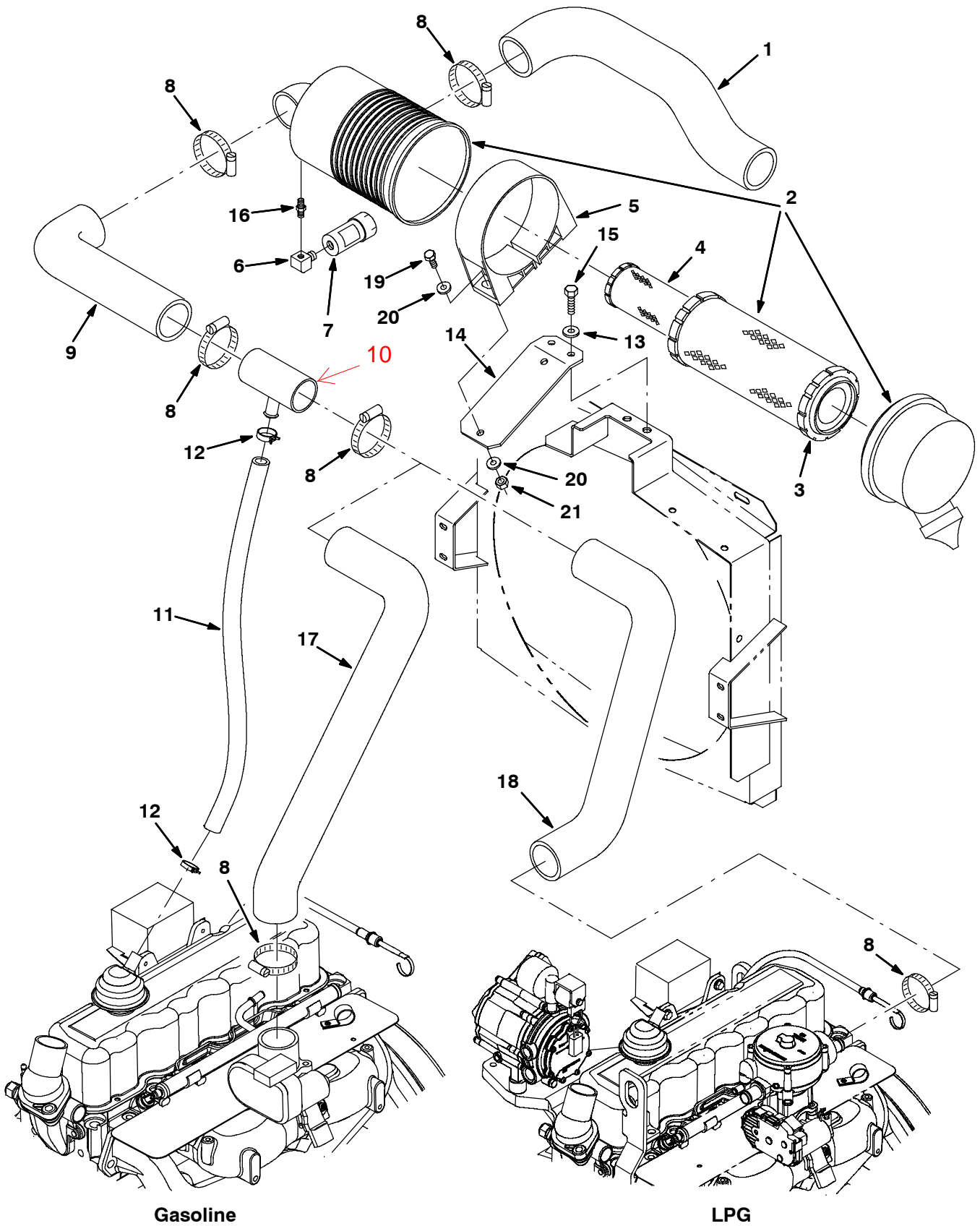




Fig. 39 - Engine Air Cleaner Group (014000-014999)

Ref.	Part No.	Serial Number	Description	Qty.
	1	1012317	(014000-014999 ) Hose, Intake, Mold, 2.00id 2.00id [Epdm]	1
▽	2	369745	(014000-014999 ) Filter, Assy, Air	1
▲	3	369746	(014000-014999 ) Element, Fltr, Air, [Dn#P831424]	1
	4	398279	(014000-014999 ) Element, Fltr, Air, [Dn#P822858] Safety	1
	5	369747	(014000-014999 ) Clamp, Mtg, Filter, Air	1
	6	11984	(014000-014999 ) Fitting, Pipe, E90, Pm02/Pf02	1
	7	03026	(014000-014999 ) Indicator, Filter, Air	1
	8	14432	(014000-014999 ) Clamp, Hose, Wormdrive, 1.81-2.75d	5
	9	1012204	(014000-014999 ) Hose, Intake, Mold, E90 2.00id 2.00id	1
	10	1011780	(014000-014999 ) Tube Wldt, Tee	1
	11	13124	(014000-014999 ) Hose, Heater, 0.62id 18.0l	1
	12	1011899	(014000-014999 ) Clamp, Hose, Spring Stl, 0.86d X 0.38w	2
	13	32492	(014000-014999 ) Washer, Flat, 0.38 Std	4
	14	1013677	(014000-014999 ) Plate, Mtg, Air-Clnr	1
	15	39277	(014000-014999 ) Screw, Hex, M8 X 1.25 X 25, 8.8	2
	16	51560-5	(014000-014999 ) Fitting, Brs, Str, Pm02, Service	1
	17	1014206	(014000-014999 ) Hose, Intake, Mold, 2.00id 2.00id	1
	18	1012206	(014000-014999 ) Hose, Intake, Mold, E90 2.00id 2.00id	1

**Fig. 40 - Engine Air Cleaner Group (015000- )**



**Gasoline**

**LPG**

Fig. 40 - Engine Air Cleaner Group (015000- )

Ref.	Part No.	Serial Number	Description	Qty.
	1	1012317	(015000- ) Hose, Intake, Mold, 2.00id 2.00id [Epdm]	1
▽	2	369745	(015000- ) Filter, Assy, Air	1
▲	3	369746	(015000- ) Element, Fltr, Air, [Dn#P831424]	1
	4	398279	(015000- ) Element, Fltr, Air, [Dn#P822858] Safety	1
	5	369747	(015000- ) Clamp, Mtg, Filter, Air	1
	6	11984	(015000- ) Fitting, Pipe, E90, Pm02/Pf02	1
	7	03026	(015000- ) Indicator, Filter, Air	1
	8	14432	(015000- ) Clamp, Hose, Wormdrive, 1.81-2.75d	5
	9	1012204	(015000- ) Hose, Intake, Mold, E90 2.00id 2.00id	1
	10	1011780	(015000- ) Tube Wldt, Tee	1
	11	13124	(015000- ) Hose, Heater, 0.62id 18.0l	1
	12	1011899	(015000- ) Clamp, Hose, Spring Stl, 0.86d X 0.38w	2
	13	32492	(015000- ) Washer, Flat, 0.38 Std	4
	14	1013677	(015000- ) Plate, Mtg, Air-Clnr	1
	15	39277	(015000- ) Screw, Hex, M8 X 1.25 X 25, 8.8	2
	16	51560-5	(015000- ) Fitting, Brs, Str, Pm02, Service	1
	17	1029257	(015000- ) Hose, Intake, Gas, 2.00id [Epdm 8410]	1
	18	1032254	(015000- ) Hose, Intake, Lpg, 2.00id [Epdm 8410]	1
	19	76570	(015000- ) Screw, Hex, M8 X 1.25 X 30, 8.8	2
	20	32491	(015000- ) Washer, Flat, 0.31, Std	4
	21	08709	(015000- ) Nut, Hex, Lock, M8 X 1.25, NI	2

Fig. 41 - Engine Muffler Group (00000-013227)

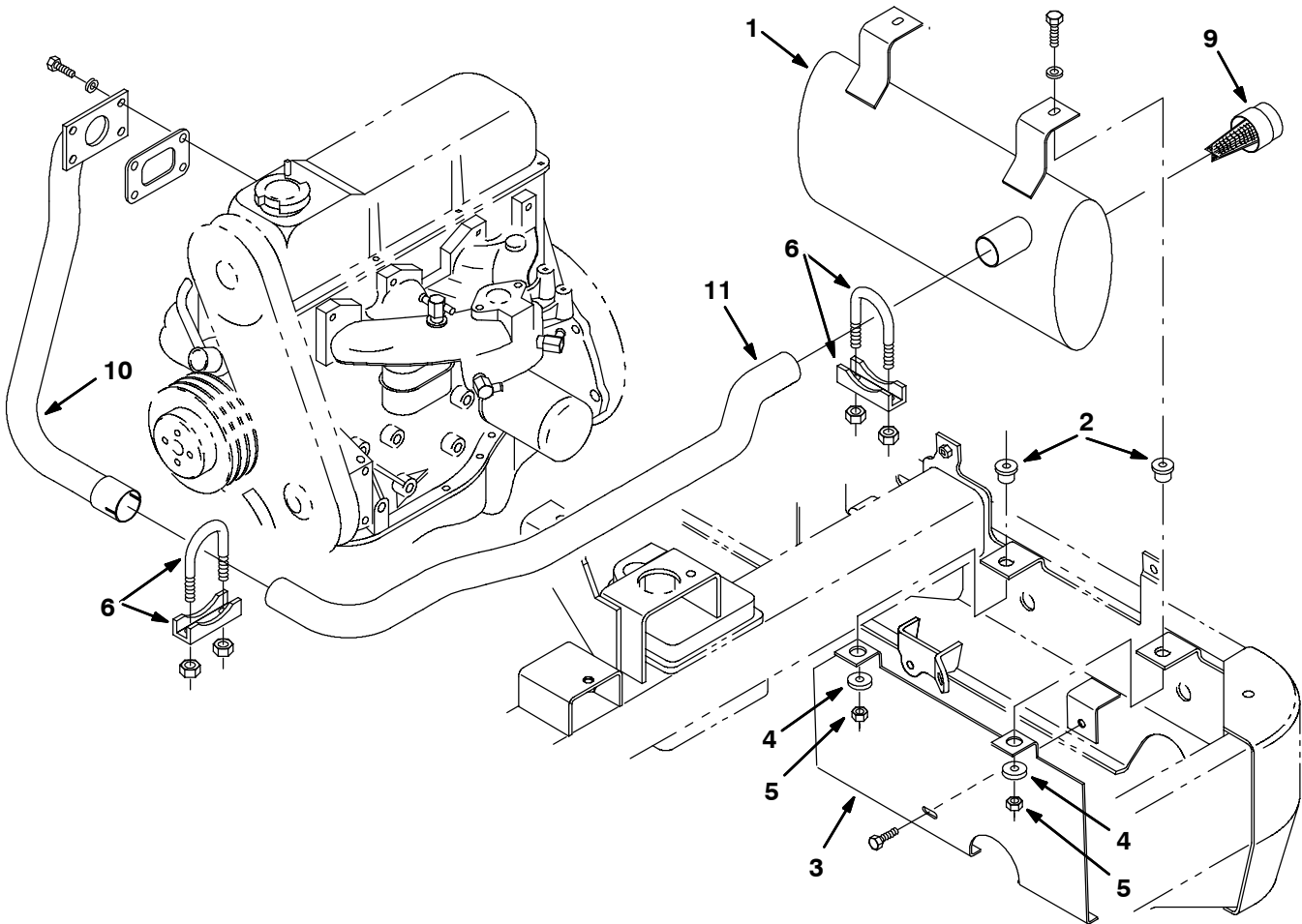
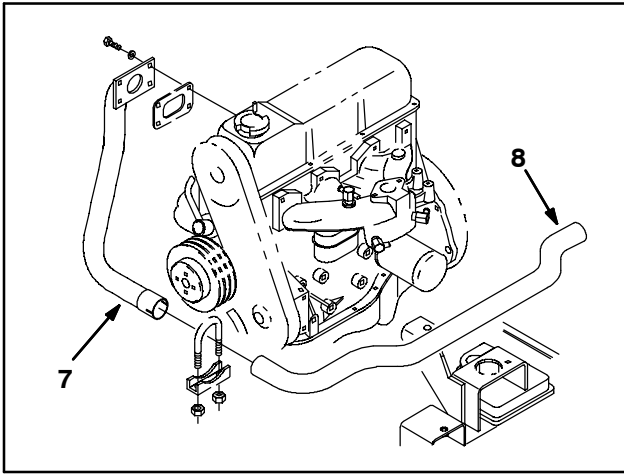


Fig. 41 - Engine Muffler Group (000000-013227)

Ref.	Part No.	Serial Number	Description	Qty.
1	374599	(000000-013227 )	Muffler, Exhaust	1
2	54274	(000000-013227 )	Isolator-Vibration,125Lb.Ratng	2
3	83563	(000000-013227 )	Plate, Shield, Muffler	1
4	13248	(000000-013227 )	Washer .400B 1.12D .12Cr Znc	2
5	41430	(000000-013227 )	Nut-Hxlocnyln M10X1.5	2
6	24012	(000000-013227 )	Clamp-Muffler,For 1.62 Od Tube	2
7	73028	(000000-012503 )	Pipe, Exhaust, Ford 2.3	1
8	77287	(000000-012503 )	Pipe, Exhaust, Gas/Lpg	1
9	70832	(000000-013227 )	Screen, Muffler	1
10	385419	(012504-013227 )	Pipe, Exhaust	1
11	385420	(012504-013227 )	Tube, Exhaust	1

Fig. 42 - Engine Muffler Group (013228-013999)

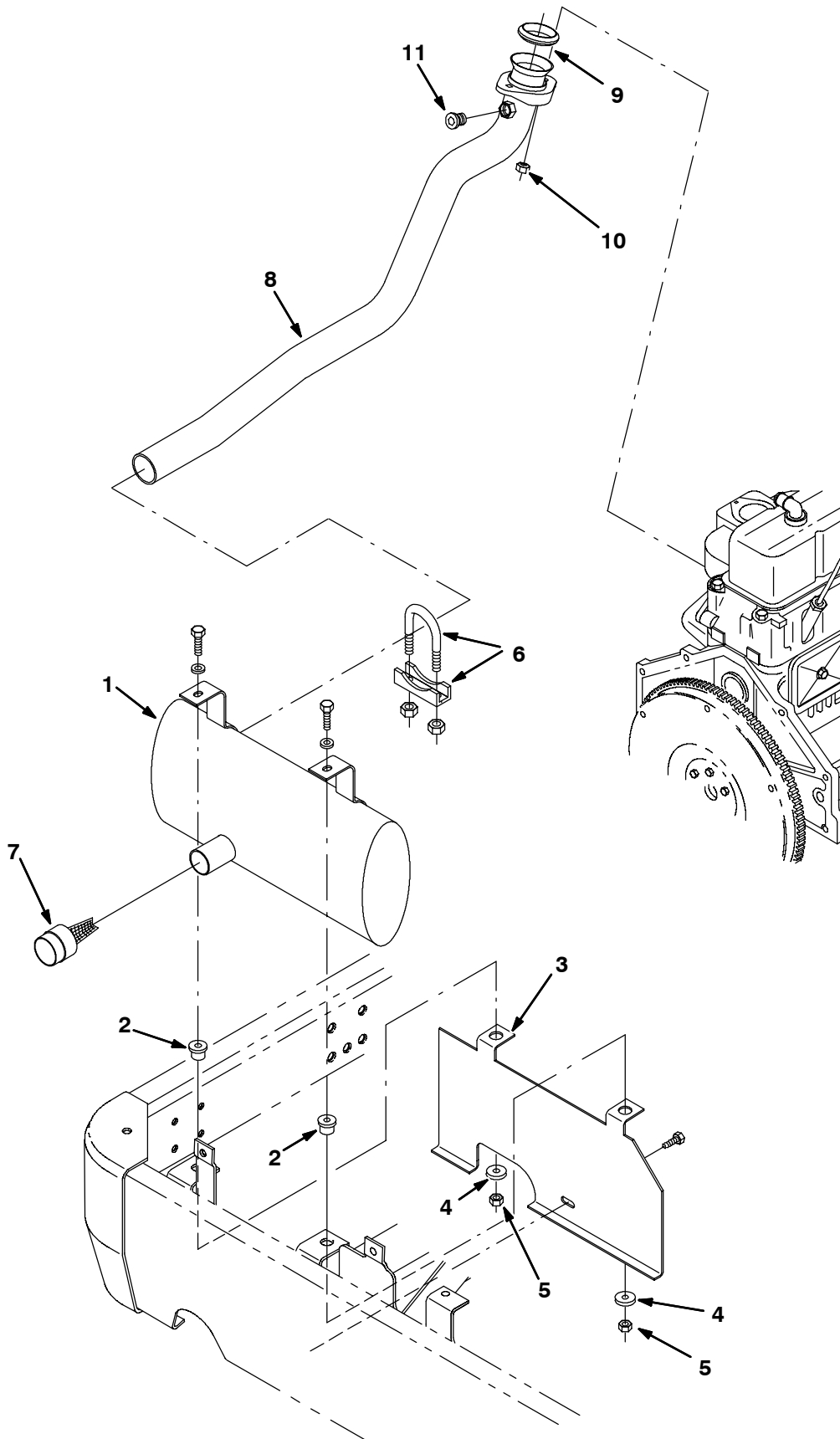


Fig. 42 - Engine Muffler Group (013228-013999)

Ref.	Part No.	Serial Number	Description	Qty.
1	374599	(013228-013999 )	Muffler, Exhaust	1
2	54274	(013228-013999 )	Isolator-Vibration,125Lb.Ratng	2
3	83563	(013228-013999 )	Plate, Shield, Muffler	1
4	13248	(013228-013999 )	Washer .400B 1.12D .12Cr Znc	2
5	41430	(013228-013999 )	Nut-Hxlocnyln M10X1.5	2
6	24012	(013228-013999 )	Clamp-Muffler,For 1.62 Od Tube	2
7	70832	(013228-013999 )	Screen, Muffler	1
8	392585	(013228-013999 )	Tube, Exhaust, 2.0d [Gm3.0] [8410]	1
9	371573	(013228-013999 )	Gasket	1
10	25014	(013228-013999 )	Nut, Hex, Std, .38-16	1
11	393264	(013228-013999 )	Fitting, Hyd, Plug, M18x1.5 Metric	1

Fig. 43 - Engine Muffler Group (014000-014999)

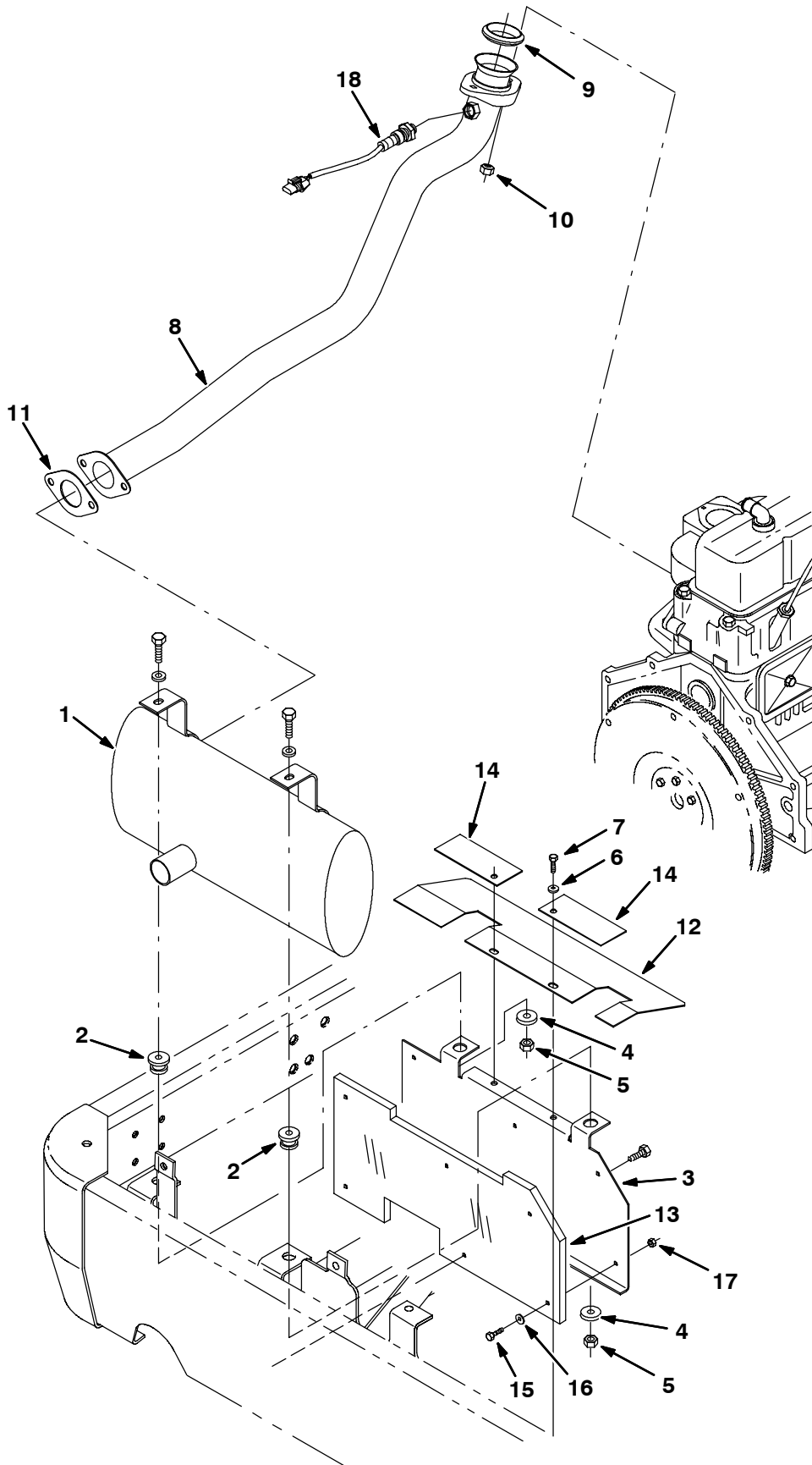




Fig. 43 - Engine Muffler Group (014000-014999)

Ref.	Part No.	Serial Number	Description	Qty.
1	1011400	(014000-014999 )	Muffler, Catalytic, [Gm3.0l 8410]	1
2	1013590	(014000-014999 )	Isolator, Vib, Bshg, 1.1d 0.6l .4b 0.78h	2
3	1013399	(014000-014999 )	Panel, Shield, Heat, Muffler	1
4	13248	(014000-014999 )	Washer, Flat, 0.40b 1.12d .12, Stl, Pl	2
5	41430	(014000-014999 )	Nut, Hex, Lock, M10 X 1.5, NI	2
6	32483	(014000-014999 )	Washer, Flat, 0.25 Sae	2
7	06943	(014000-014999 )	Screw, Hex, M6 X 1.0 X 20, 8.8	2
8	1011939	(014000-014999 )	Tube, Exhaust, 2.0d [Gm3.0l 8410]	1
9	371573	(014000-014999 )	Gasket	1
10	25014	(014000-014999 )	Nut, Hex, Std, .38-16	1
11	1011216	(014000-014999 )	Gasket, Exhaust, 2 Hole, 3.4bc	1
12	1013465	(014000-014999 )	Shield, Heat	1
13	1017847	(014000-014999 )	Insulation, 0.5, Ntch [Durablanket]	1
14	1014143	(014000-014999 )	Retainer, Shield	2
15	06943	(014000-014999 )	Screw, Hex, M6 X 1.0 X 20, 8.8	6
16	41178	(014000-014999 )	Washer, Flat, 0.25 Fender	6
17	08164	(014000-014999 )	Nut, Hex, Stover, M6 X 1.0	6
18	372491	(014000-014999 )	Sensor, Oxygen	1

Fig. 44 - Engine Muffler Group (015000- )

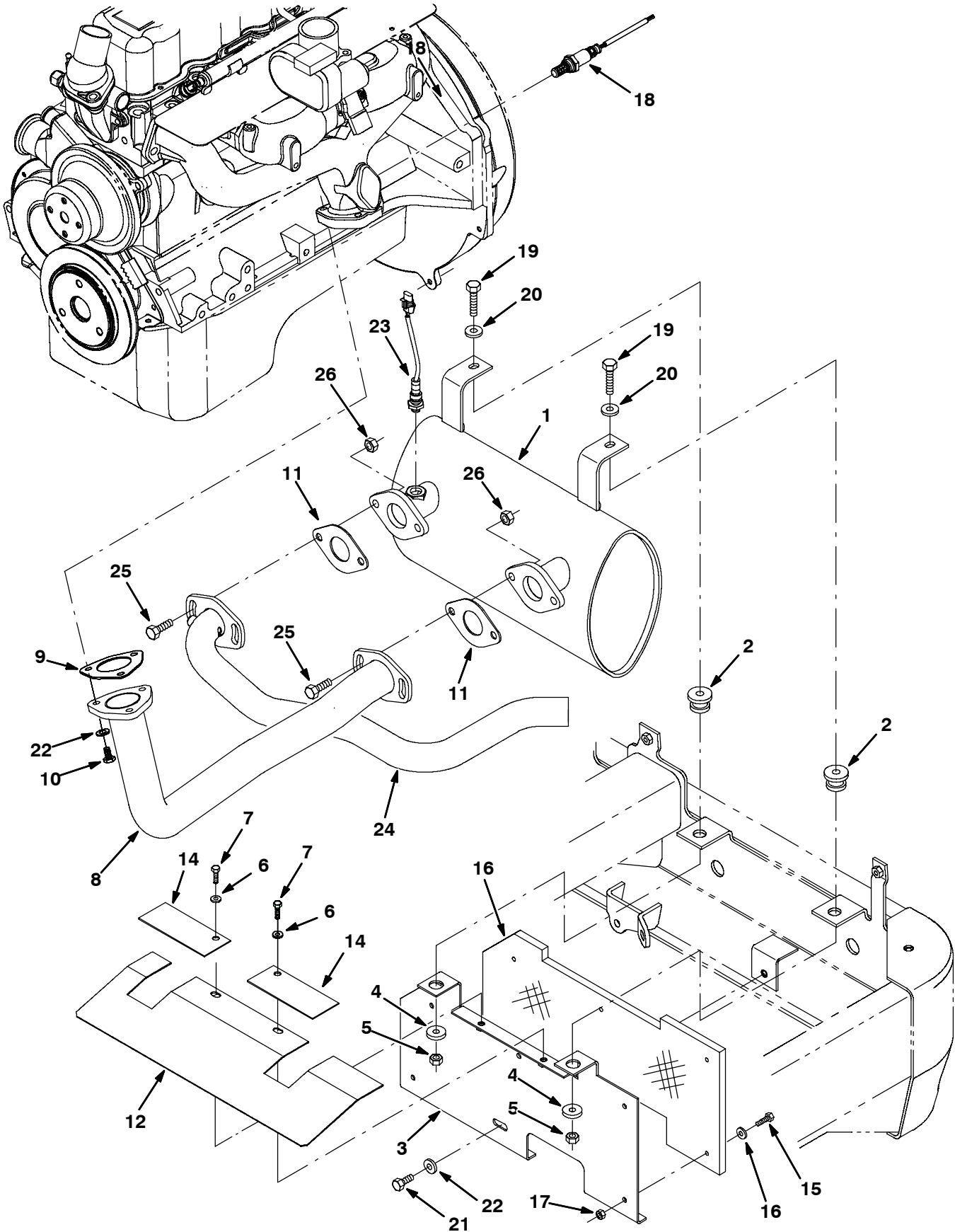


Fig. 44 - Engine Muffler Group (015000- )

Ref.	Part No.	Serial Number	Description	Qty.
1	1028419	(015000-	) Muffler, Catalytic [Gm3.0l, 8410 2007]	1
2	1013590	(015000-	) Isolator, Vib, Bshg, 1.1d 0.6l .4b 0.78h	2
3	1013399	(015000-	) Panel, Shield, Heat, Muffler	1
4	13248	(015000-	) Washer, Flat, 0.40b 1.12d .12, Stl, Pl	2
5	08166	(015000-	) Nut, Hex, M10 X 1.50 [Stover]	2
6	32483	(015000-	) Washer, Flat, 0.25 Sae	2
7	06943	(015000-	) Screw, Hex, M6 X 1.0 X 20, 8.8	2
8	1032292	(015000-	) Tube Wldt, Exhaust, 2.0d[Gm3.0l 8410 07]	1
9	1033739	(015000-	) Gasket, Flng, Exhaust	1
10	76570	(015000-	) Screw, Hex, M8 X 1.25 X 30, 8.8	3
11	1011216	(015000-	) Gasket, Exhaust, 2hole, 3.4bc	2
12	1028925	(015000-	) Shield, Heat	1
13	1017847	(015000-	) Insulation, 0.5, Ntch [Durablanket]	1
14	1014143	(015000-	) Retainer, Shield	2
15	06942	(015000-	) Screw, Hex, M6 X 1.0 X 16, 8.8	5
16	41178	(015000-	) Washer, Flat, 0.25 Fender	6
17	08164	(015000-	) Nut, Hex, Stover, M6 X 1.0	6
18	1028559	(015000-	) Sensor, Oxygen [Gm 1.6l/3.0l 2007]	1
19	39285	(015000-	) Screw, Hex, M10 X 1.5 X 40, 8.8	2
20	32492	(015000-	) Washer, Flat, 0.38, Std	2
21	16931	(015000-	) Screw, Hex, M8 X 1.25 X 20, 8.8	1
22	32491	(015000-	) Washer, Flat, 0.31, Std	4
23	1028558	(015000-	) Sensor, Exhaust, Tailpipe	1
24	1028455	(015000-	) Tube, Exhaust, Tailpipe [Gm3.0l 8410]	1
25	39284	(015000-	) Screw, Hex, M10 X 1.5 X 35, 8.8	4
26	08166	(015000-	) Nut, Hex, M10 X 1.50 [Stover]	4

# STANDARD PARTS

Fig. 45 - Engine Fuel Tank Group, Gasoline (000000-013227)

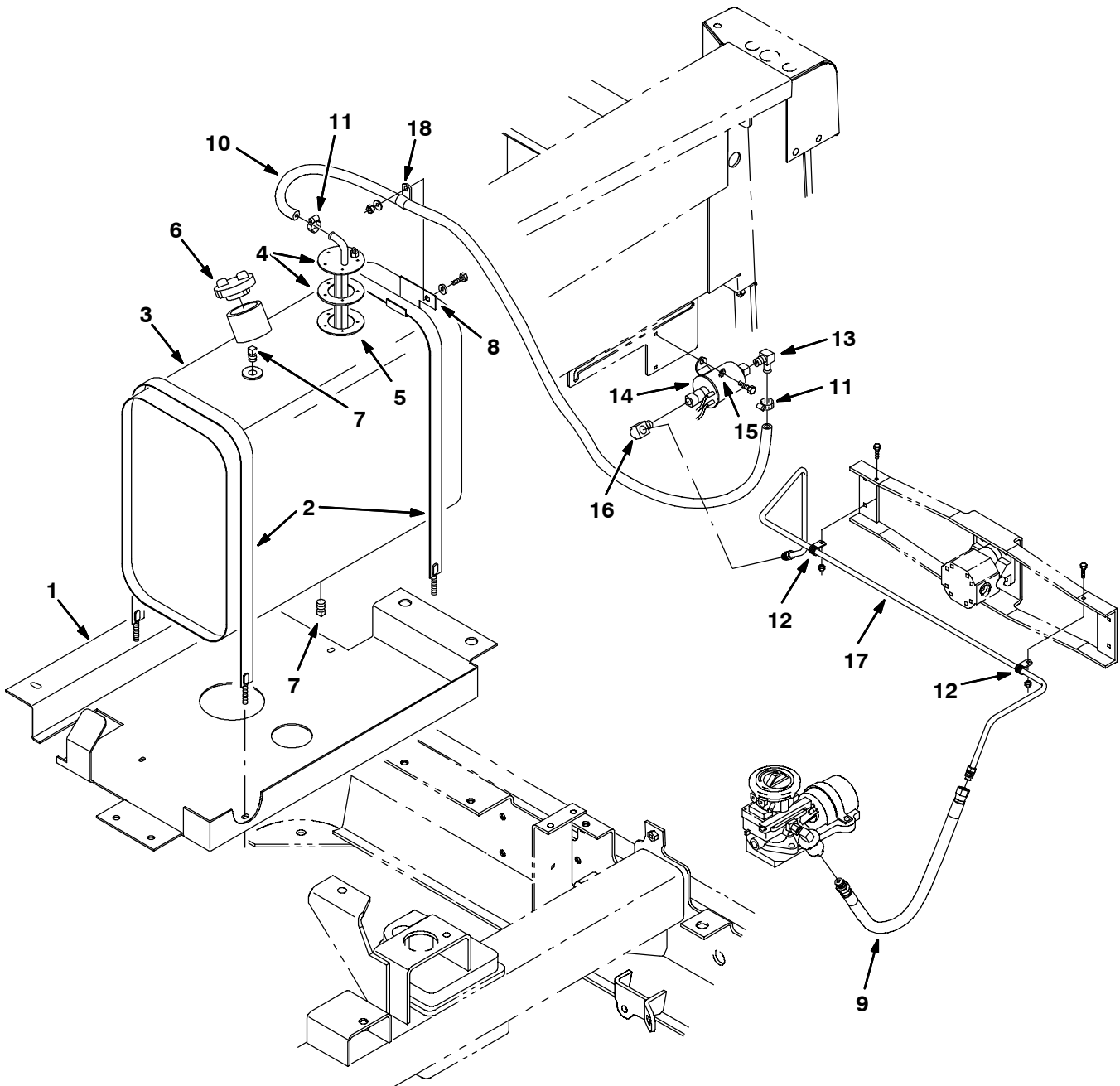


Fig. 45 - Engine Fuel Tank Group, Gasoline (000000-013227)

Ref.	Part No.	Serial Number	Description	Qty.
	1	83841	(000000-013227 ) Tray, Fuel	1
	2	87396	(000000-013227 ) Strap Weldmt, Gas Tank	2
▽	3	84101	(000000-013227 ) Tank, Fuel W/Label	1
▲▽	4	78937	(000000-013227 ) Sending Unit	1
▲▲	5	14131	(000000-013227 ) Gasket, 2.7D 1.5B.12T 5/ 2.1Bc	1
▲	6	48267	(000000-013227 ) Cap, Fuel	1
▲	7	48126	(000000-013227 ) Ftg-Plug Npt 02Pm Sq Hd	2
	8	70767	(000000-013227 ) Tab,Fuelline	1
	9	70173	(000000-013227 ) Hose, Fuelline, 10.0L	1
	10	84054	(000000-013227 ) Hose-Fuel, .31ld 23.0L	1
	11	43844	(000000-013227 ) Clamp-Wormdrive, 0.25- 0.62D	2
	12	26395-2	(000000-013227 ) Clamp-Cable, 0.38Dia 0.38Wth	2
	13	53029	(000000-013227 ) Ftg-Brs E90 Bm05/Pm02	1
	14	59015	(000000-013227 ) Pump, Fuel	1
	15	41140	(000000-013227 ) Washer-Loc Int-Ext .25 Pltd	1
	16	15555-1	(000000-013227 ) Ftg-Brs E90 lf05/Pm02	1
	17	84055	(000000-013227 ) Fuelline, .312 Od	1
	18	76736	(000000-013227 ) Clamp-Cable, 0.38Dia 0.62Wth	1

Fig. 46 - Engine Fuel Tank Group, Gasoline (013228-013999)

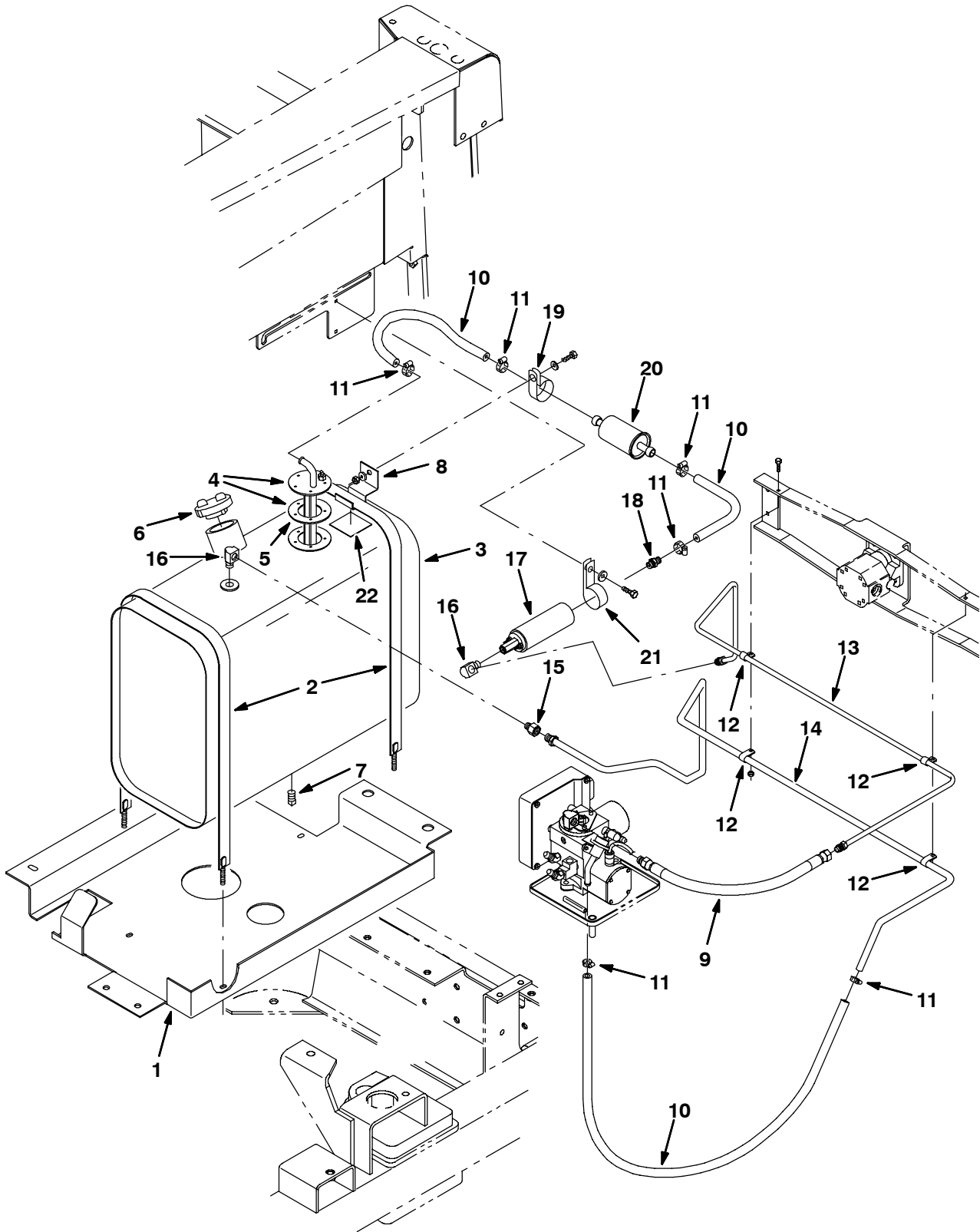


Fig. 46 - Engine Fuel Tank Group, Gasoline (013228-013999)

Ref.	Part No.	Serial Number	Description	Qty.	
1	83841	(013228-013999 )	Tray, Fuel	1	
2	87396	(013228-013999 )	Strap Weldmt, Gas Tank	2	
▽	3	84101	(013228-013999 )	Tank, Fuel W/Label	1
▲▽	4	78937	(013228-013999 )	Sending Unit	1
▲▲	5	14131	(013228-013999 )	Gasket, 2.7D 1.5B.12T 5/ 2.1Bc	1
▲	6	48267	(013228-013999 )	Cap, Fuel	1
▲	7	48126	(013228-013999 )	Ftg-Plug Npt 02Pm Sq Hd	2
	8	392636	(013228-013999 )	Bracket, Filter, Fuel	1
	9	70173	(013228-013999 )	Hose, Fuelline, 10.0L	1
	10	84054	(013228-013999 )	Hose-Fuel, .31ld 23.0L	2
	11	43844	(013228-013999 )	Clamp-Wormdrive, 0.25- 0.62D	2
	12	26395-2	(013228-013999 )	Clamp-Cable, 0.38Dia 0.38Wth	2
	13	392581	(013228-013999 )	Fuelline, .31d 05if/05if Stl	1
	14	392582	(013228-013999 )	Fuelline, .31d Bea/Bea Stl	1
	15	40585	(013228-013999 )	Fitting, Brs, Str, lf05/Pm02	1
	16	15555-1	(013228-013999 )	Ftg-Brs E90 lf05/Pm02	2
	17	371661	(013228-013999 )	Pump, Fuel, Gas	1
	18	82544	(013228-013999 )	Fitting, Brs, Str, Bm05/Pm02	1
	19	41016	(013228-013999 )	Clamp, Cable, Stl, 2.25d X 1.00w, 1h	1
	20	371662	(013228-013999 )	Filter, Fuel	1
	21	86328	(013228-013999 )	Clamp, Cable, Stl, 1.50d X 0.75w, 1h	1
	22	36661	(013228-013999 )	Strip, Rbr, 0.06 01.00w 04.0l	1

**Fig. 47 - Engine Fuel Tank Group, Gasoline (014000-014999)**

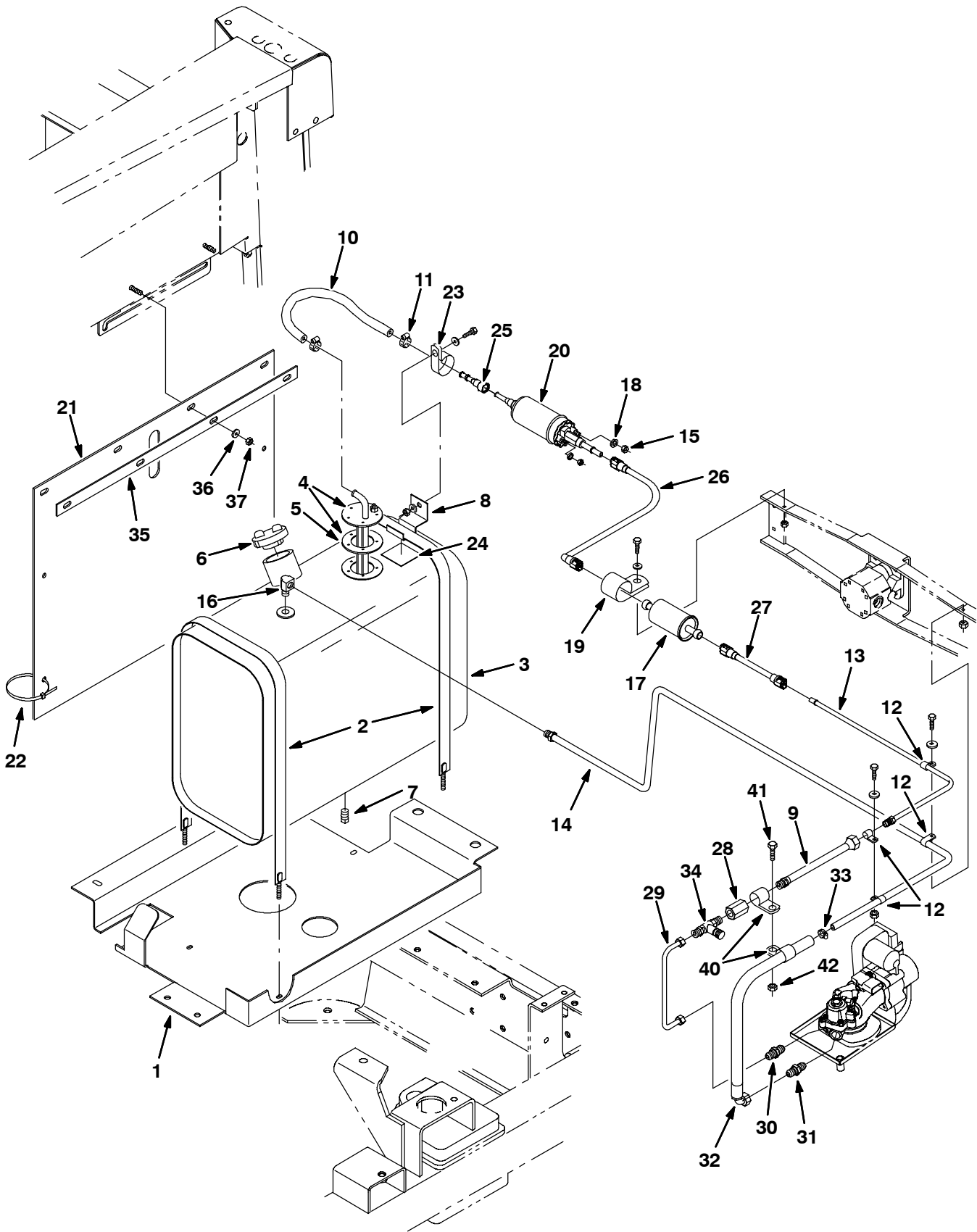




Fig. 47 - Engine Fuel Tank Group, Gasoline (014000-014999)

Ref.	Part No.	Serial Number	Description	Qty.	
1	83841	(014000-014999 )	Tray, Mtg, Tank, Fuel	1	
2	87396	(014000-014999 )	Strap Wldt, Tank, .06th X 1.0w, 37.7l	2	
▽	3	9000610	(014000-014999 )	Tank, Fuel, 9.4 Gal, W/ Label	1
▲	4	372942	(014000-014999 )	Send-Unit, Fuel	1
▲	5	21732	(014000-014999 )	Gasket, Sender, Fuel	1
▲	6	48267	(014000-014999 )	Cap, Tank, Fuel, 2.3neck 2.6d	1
▲	7	48126	(014000-014999 )	Fitting, Pipe, Plug, Pm02 Sq Head	2
	8	392636	(014000-014999 )	Bracket, Fltr, Fuel	1
	9	70173	(014000-014999 )	Hose, 0050, 04, lm05str /lf05str , 10.0	1
	10	72560	(014000-014999 )	Hose, Fuel, 0.31id 31.0l	2
	11	43844	(014000-014999 )	Clamp, Hose, Wormdrive, 0.25-0.62d	2
	12	26395-2	(014000-014999 )	Clamp, Cable, Stl, 0.38d X 0.38w, 1h	4
	13	1012128	(014000-014999 )	Fuelline, .31d 05if/Qm Stl	1
	14	1012102	(014000-014999 )	Fuelline, .38d .06if/Bea Stl	1
	15	50335	(014000-014999 )	Nut, Hex, Std, M5 X 0.8, 8	1
	16	54140	(014000-014999 )	Fitting, Brs, E90, lf06/Pm04	1
	17	372440	(014000-014999 )	Fuel, Fltr [Gm 1.6l/3.0l]	1
	18	32980	(014000-014999 )	Washer, Lock, Int, #10	1
	19	41016	(014000-014999 )	Clamp, Cable, Stl, 2.25d X 1.00w, 1h	1
	20	1011107	(014000-014999 )	Pump, Fuel, Hi-press [Gm 1.6l/3.0l]	1
	21	1014506	(014000-014999 )	Skirt, Side	1
	22	49266	(014000-014999 )	Tie, Cable, Nyl, 07.3l .19w 1.8 Max D	3
	23	1011895	(014000-014999 )	Clamp, Cable, Stl, 2.00d X 0.75w, 1h	1
	24	36661	(014000-014999 )	Strip, Rbr, 0.06 01.00w 04.0l	1
	25	1013086	(014000-014999 )	Connector, Fuel, Qf	1
	26	1012314	(014000-014999 )	Fuelline, .31d E90/Str, Plstc	1
	27	1012248	(014000-014999 )	Fuelline, .31d Str/Str, Plstc	1
	28	25610	(014000-014999 )	Fitting, Brs, Str, lf05/lf05	1
	29	1012468	(014000-014999 )	Fuelline, .31d 05if/05jf Stl	1
	30	1012677	(014000-014999 )	Fitting, Hyd, Str, Jm05/Om06	1
	31	56690	(014000-014999 )	Fitting, Hyd, Str, Jm06/Om06	1
	32	1013030	(014000-014999 )	Hose, Fuel, Jf06e90, 20.3l	1
	33	54333	(014000-014999 )	Clamp, Hose, Wormdrive, 0.31-0.88d	1
	34	1014595	(014000-014999 )	Adapter, Fuelline	1
	35	1014659	(014000-014999 )	Retainer, Skirt	1
	36	32490	(014000-014999 )	Washer, Flat, 0.25 Std	4
	37	08708	(014000-014999 )	Nut, Hex, Lock, M6 X 1.0, NI	4
	38	42368	(014000-014999 )	Nut, Hex, Std, M4 X 0.7, 8	1
	39	32978	(014000-014999 )	Washer, Lock, Int, #08	1
	40	67767	(014000-014999 )	Clamp, Cable, Stl, 0.69d X 0.62w, 1h	2
	41	16931	(014000-014999 )	Screw, Hex, M8 X 1.25 X 20, 8.8	1
	42	07791	(014000-014999 )	Nut, Hex, Fing, M8 X 1.25	1

# STANDARD PARTS

Fig. 48 - Engine Fuel Tank Group, Gasoline (015000- )

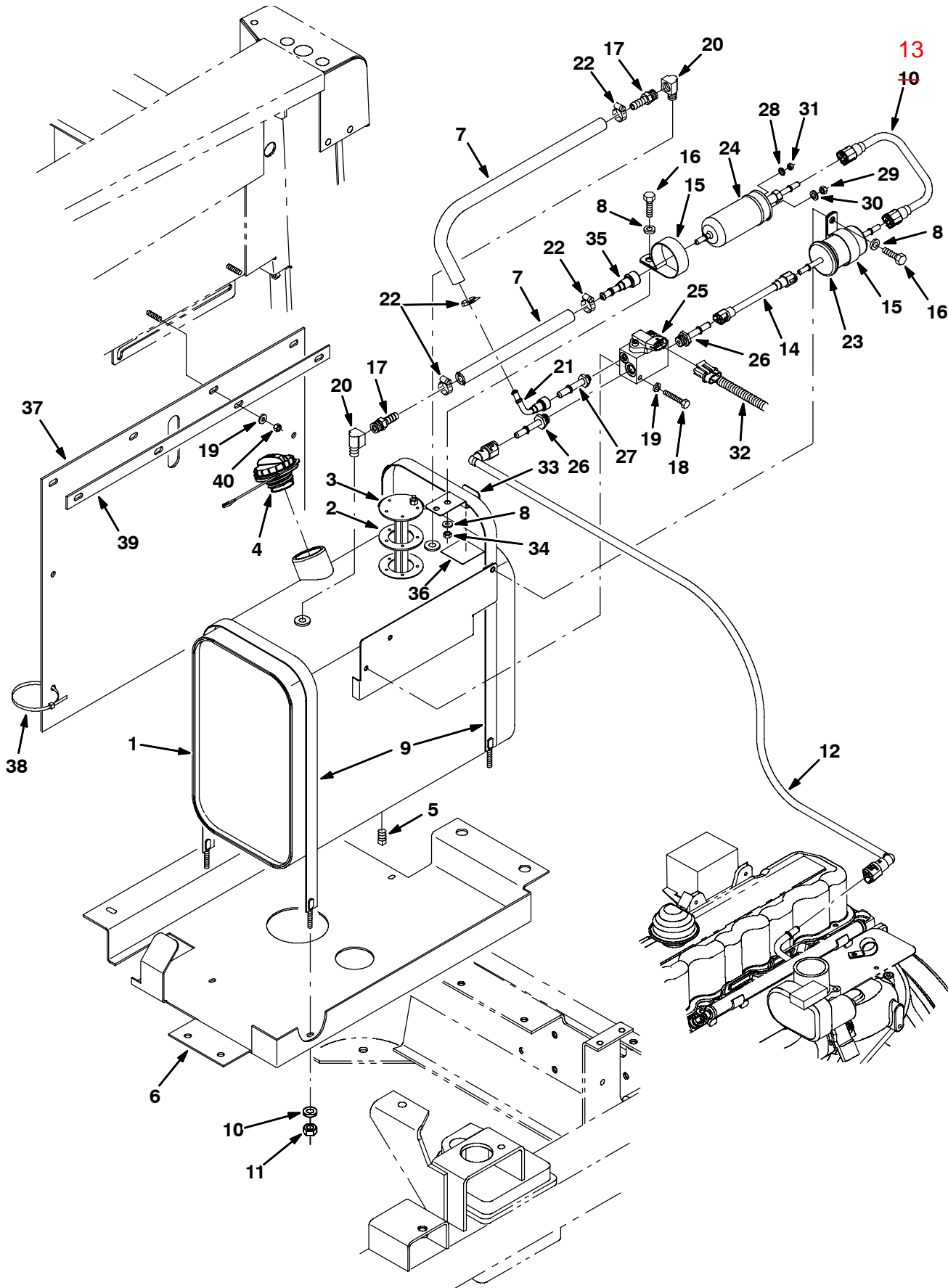


Fig. 48 - Engine Fuel Tank Group, Gasoline (015000- )

1033898

Ref.	Part No.	Serial Number	Description	Qty.
▽	1	9003609	(015000- ) Tank, Fuel, 09.4gal, W/ Label	1
▲	2	1033897	(015000- ) Gasket, Sender, Fuel	1
▲	3	<del>1033899</del>	(015000- ) Send-Unit, Fuel [800/810 2007]	1
▲	4	1032812	(015000- ) Cap, Fuel, Tank	1
▲	5	48126	(015000- ) Fitting, Pipe, Plug, Pm02 Sq Head	2
	6	83841	(015000- ) Tray, Mtg, Tank, Fuel	1
	7	1033746	(015000- ) Hose, Fuel, 0.31id [Evap Emission 07]	2
	8	32491	(015000- ) Washer, Flat, 0.31, Std	3
	9	87396	(015000- ) Strap Wldt, Tank, 0.06 1.0w 37.7l	2
	10	32483	(015000- ) Washer, Flat, 0.25, Sae	4
	11	32981	(015000- ) Nut, Hex, Lock, .25-20, NI	4
	12	1030485	(015000- ) Fuelline, .31d E90, 05/06, Plstc	1
	13	1013509	(015000- ) Fuelline, .31d Str/Str, Plstc [8200]	1
	14	1012248	(015000- ) Fuelline, .31d Str/Str, Plstc	1
	15	1011895	(015000- ) Clamp, Cable, Stl, 2.00d X 0.75w, 1hole	1
	16	16931	(015000- ) Screw, Hex, M8 X 1.25 X 20, 8.8	1
	17	392629	(015000- ) Fitting, Brs, Str, Bm05/Pm04	2
	18	06949	(015000- ) Screw, Hex, M6 X 1.0 X 50, 8.8	2
	19	32490	(015000- ) Washer, Flat, 0.25, Std	6
	20	9000355	(015000- ) Fitting, Brs, E90, Em05/Pm04	2
	21	1019939	(015000- ) Connector, Fuel, E90, Qf	1
	22	43844	(015000- ) Clamp, Hose, Wormdrive, 0.25-0.62d, .31w	4
	23	372440	(015000- ) Filter, Fuel [Gm 1.6l/3.0l]	1
	24	1011107	(015000- ) Pump, Fuel, Hi Press [Gm 1.6l/3.0l]	1
	25	1028924	(015000- ) Manifold, Gas, Relief, Valve	1
	26	1029293	(015000- ) Fitting, Fuel, Str, 0.56-18 [07 Eng]	2
	27	1029295	(015000- ) Fitting, Fuel, Str, 0.38-24 [07 Eng]	1
	28	32980	(015000- ) Washer, Lock, Int, #10	1
	29	42368	(015000- ) Nut, Hex, Std, M4 X 0.70, 8	1
	30	32978	(015000- ) Washer, Lock, Int, #08	1
	31	50335	(015000- ) Nut, Hex, Std, M5 X 0.80, 8	1
	32	385009	(015000- ) Harness, Eng	1
	33	1030256	(015000- ) Bracket, Fltr, Fuel [8410 2007]	1
	34	07791	(015000- ) Nut, Hex, Flng, M8 X 1.25	1
	35	1013086	(015000- ) Connector, Fuel, Qf	1
	36	36661	(015000- ) Strip, Rbr, 0.06 01.00w 04.0l	1
	37	1014506	(015000- ) Skirt, Rbr, .12, 20.00w 24.00l, 09/ H&S	1
	38	49266	(015000- ) Tie, Cable, Nyl, 07.3l .19w 1.8 Max D	3
	39	1014659	(015000- ) Retainer, Skirt	1
	40	08708	(015000- ) Nut, Hex, Lock, M6 X 1.00, NI	4

**Fig. 49 - Engine Fuel Tank Group, LPG (000000-013227)**

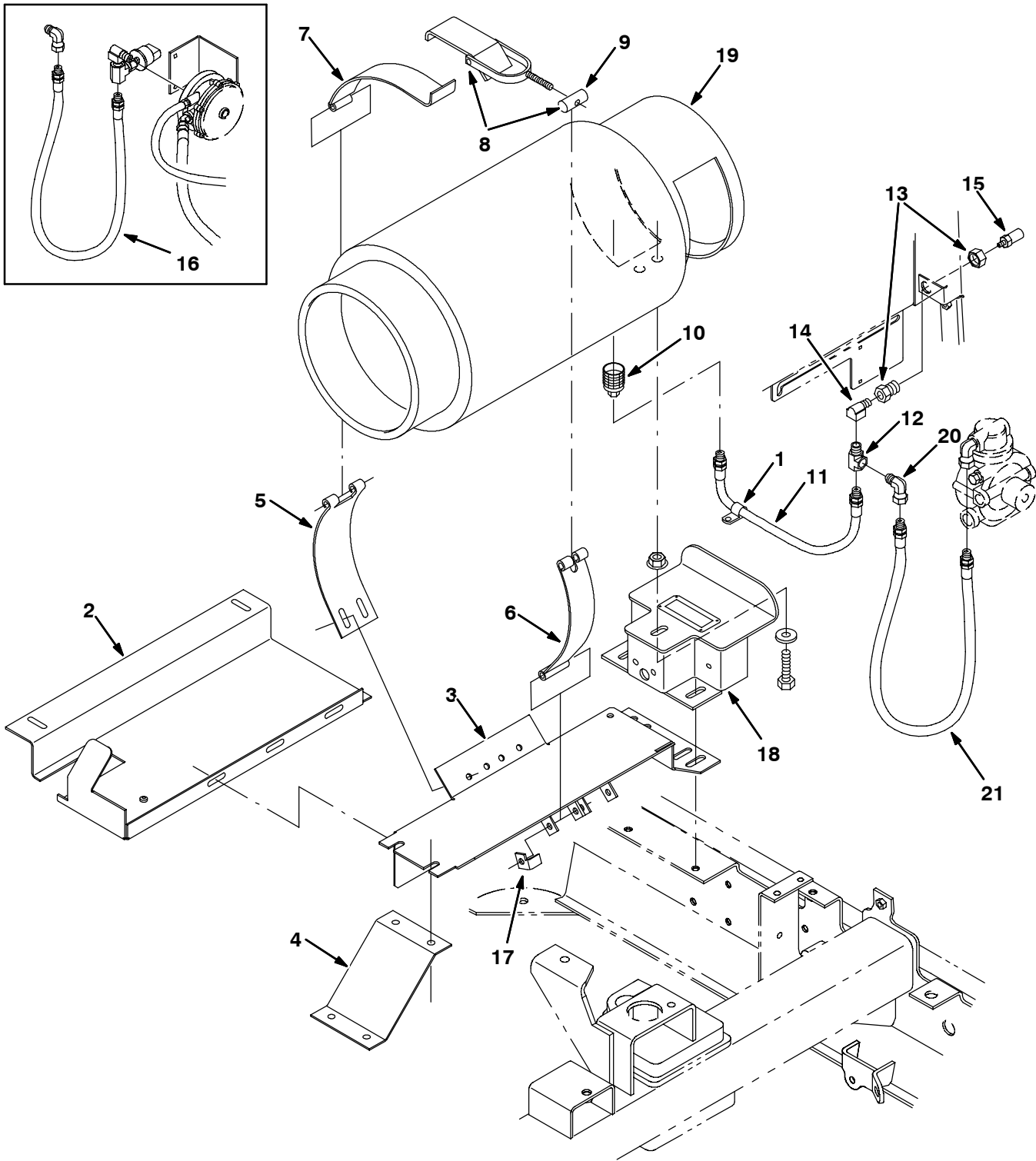


Fig. 49 - Engine Fuel Tank Group, LPG (000000-013227)

Ref.	Part No.	Serial Number	Description	Qty.	
1	67767	(000000-013227 )	Clamp-Cable,.69Dia. 62Wth	1	
2	10653	(000000-013227 )	Tray, Detergent	1	
3	10652	(000000-013227 )	Panel Wldt	1	
4	10654	(000000-013227 )	Bracket	1	
5	58589	(000000-013227 )	Strap, Mtg.- Lp Tank	1	
6	58590	(000000-013227 )	Strap, Tank Retainer - Lp	1	
7	57297	(000000-013227 )	Strap, Hinge - Lp Tank Mtg	1	
▽	8	53400-1	(000000-013227 )	Latch Assy, Lpg Tank Mtg,W/Nut	1
▲	9	53400-4	(000000-013227 )	Nut, Adjustable, Lpg Tank Mtg	1
10	26496	(000000-013227 )	Coupling, Quick Disc. Shwd	1	
11	22308	(000000-013227 )	Hose, Lpg, 4Lpg X 35.0 Lg	1	
12	56976A	(000000-013227 )	Ftg-Tee Npt 04Pm- 04Pf- 04Pf	1	
13	78122	(000000-013227 )	Ftg,Bulkhead .25Npt Wh W21204	1	
14	27048	(000000-013227 )	Fitting, El 90Npt/Npt 04Pf-	1	
15	24047	(000000-013227 )	Valve, Press Relief, Lpg Rego	1	
16	22308-6	(000000-013087 )	Hose, Lpg	1	
17	374690	(012776-013227 )	Angle, Stop, LP Strap	1	
18	10661	(000000-013227 )	Bracket Assy, Lpg Tank W/Label	1	
19	24928-1	(000000-013227 )	Tank-Lp,33@,Liq,Both,Fill Ga L	1	
20	11442-1	(000000-013227 )	Fitting, Elbow	1	
21	10754	(013088-013227 )	Hose, Lpg, Med05, 24.0l	1	

Fig. 50 - Engine Fuel Tank Group, LPG (013228-013999)

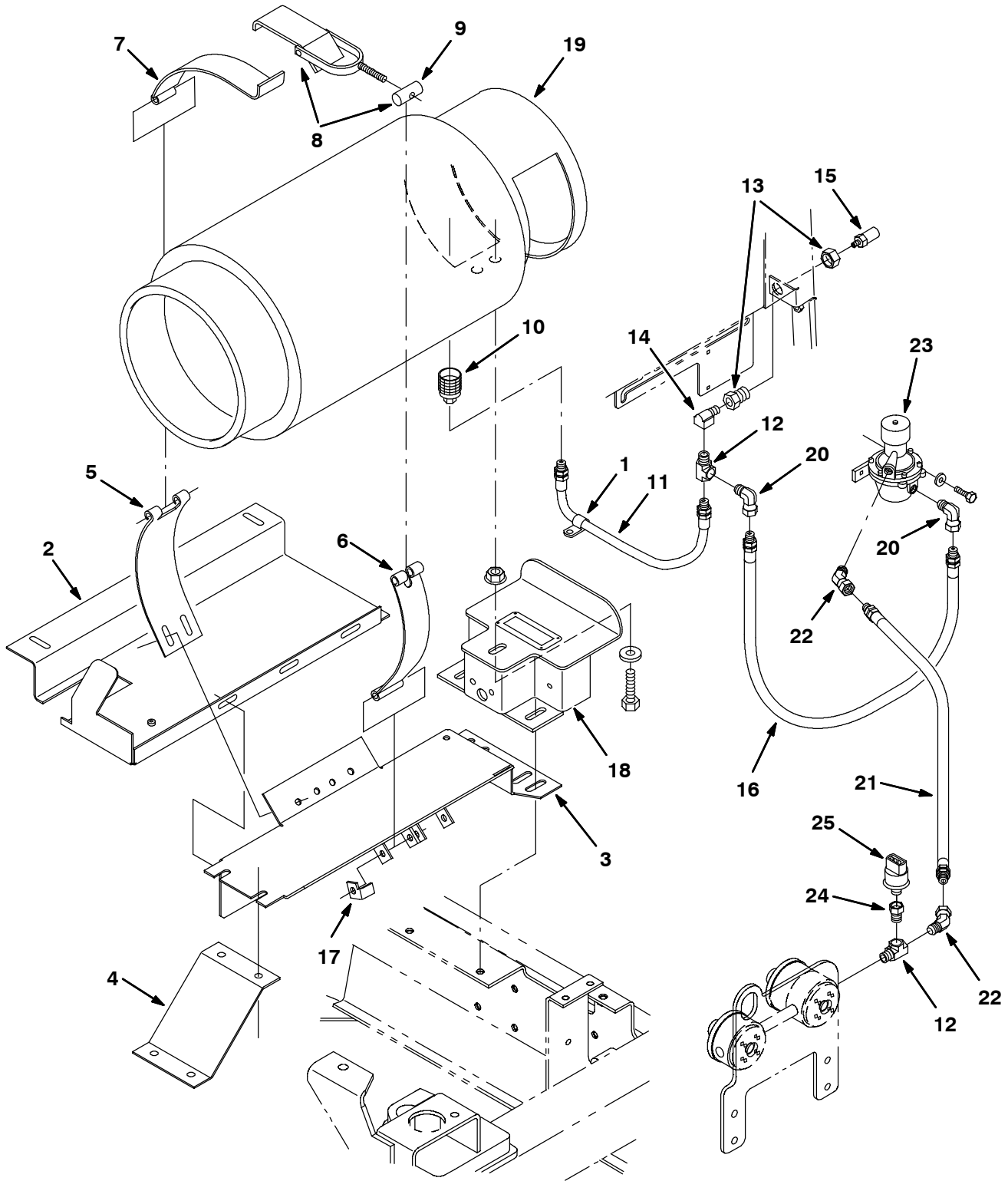


Fig. 50 - Engine Fuel Tank Group, LPG (013228-013999)

Ref.	Part No.	Serial Number	Description	Qty.	
1	67767	(013228-013999 )	Clamp-Cable,.69Dia. 62Wth	1	
2	10653	(013228-013999 )	Tray, Detergent	1	
3	10652	(013228-013999 )	Panel Wldt	1	
4	10654	(013228-013999 )	Bracket	1	
5	58589	(013228-013999 )	Strap, Mtg.- Lp Tank	1	
6	58590	(013228-013999 )	Strap, Tank Retainer - Lp	1	
7	57297	(013228-013999 )	Strap, Hinge - Lp Tank Mtg	1	
▽	8	53400-1	(013228-013999 )	Latch Assy, Lpg Tank Mtg,W/Nut	1
▲	9	53400-4	(013228-013999 )	Nut, Adjustable, Lpg Tank Mtg	1
10	26496	(013228-013999 )	Coupling, Quick Disc. Shwd	1	
11	22308	(013228-013999 )	Hose, Lpg, 4Lpg X 35.0 Lg	1	
12	56976A	(013228-013999 )	Ftg-Tee Npt 04Pm- 04Pf- 04Pf	2	
13	78122	(013228-013999 )	Ftg,Bulkhead .25Npt Wh W21204	1	
14	27048	(013228-013999 )	Fitting, El 90Npt/Npt 04Pf-	1	
15	24047	(013228-013999 )	Valve, Press Relief, Lpg Rego	1	
16	22308-6	(013228-013999 )	Hose, Lpg	1	
17	374690	(013228-013999 )	Angle, Stop, LP Strap	1	
18	10661	(013228-013999 )	Bracket Assy, Lpg Tank W/Label	1	
19	24928-1	(013228-013999 )	Tank-Lp,33@,Liq,Both,Fill Ga L	1	
20	11442-1	(013228-013999 )	Fitting, Elbow	2	
21	22324	(013228-013999 )	Hose, Lpg, Med05, Pm04str/Sm04str, 31.0l	1	
22	47720	(013228-013999 )	Fitting, Hyd, E45, Pm04/Pf04	2	
▽	23	53395-2	(013228-013999 )	Filter, Fuelock, [Ballwin#4-2384b]	1
▲	48282	(013228-013999 )	Kit, Repair, Fuelock, Mv 310-6	1	
24	17414	(013228-013999 )	Fitting, Pipe, Str, Pm04/Pf02	1	
25	23156	(013228-013999 )	Switch, Press, 12vdc 08a Spst Nc 0070psi	1	

Fig. 51 - Engine Fuel Tank Group, LPG (014000-014999)

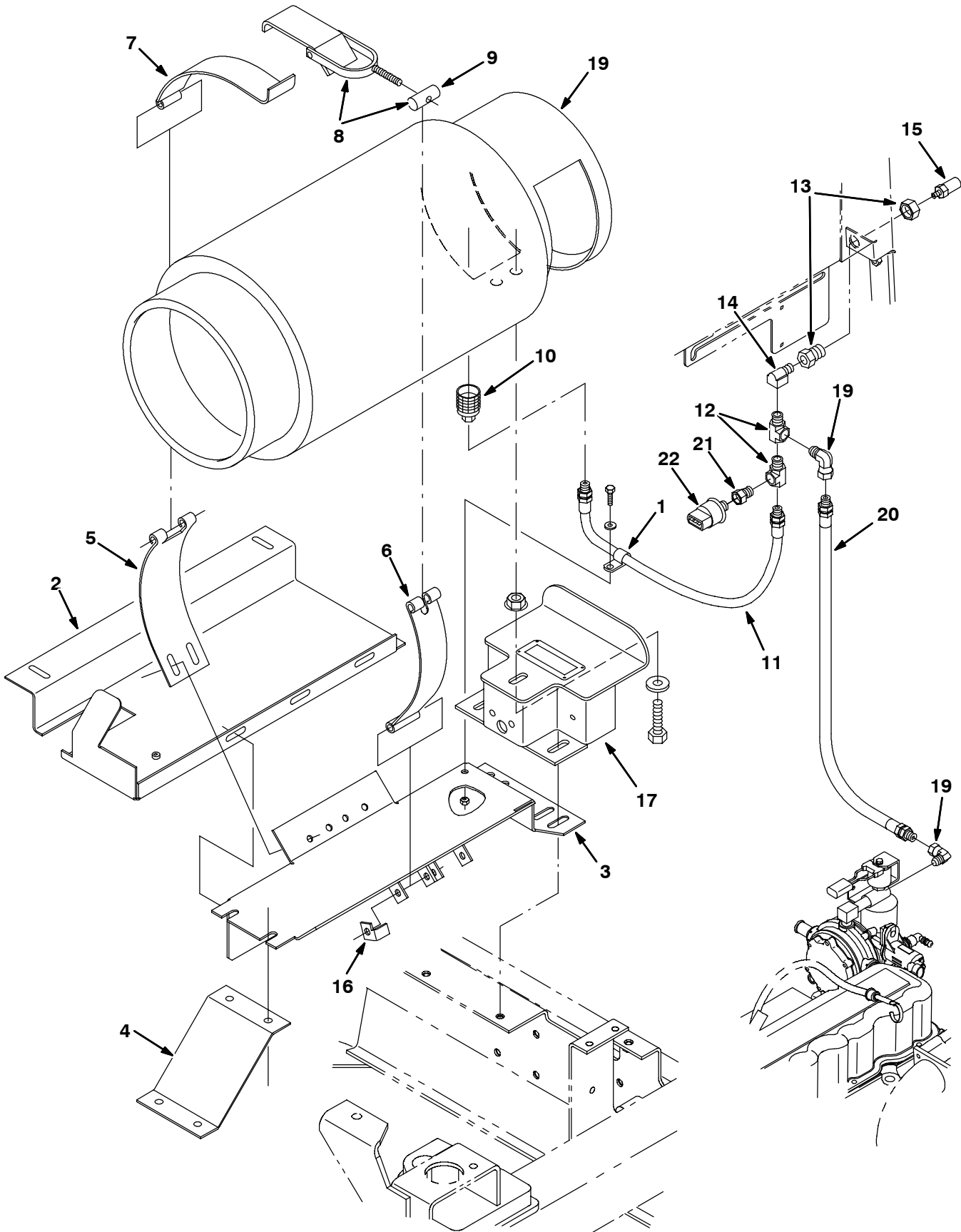




Fig. 51 - Engine Fuel Tank Group, LPG (014000-014999)

Ref.	Part No.	Serial Number	Description	Qty.	
1	67767	(014000-014999 )	Clamp, Cable, Stl, 0.69d X 0.62w, 1h	1	
2	10653	(014000-014999 )	Tray, Detgt	1	
3	10652	(014000-014999 )	Panel Wldt, Cradle, Tank, Lpg	1	
4	10654	(014000-014999 )	Bracket, Mtg, Tank, Lpg	1	
5	58589	(014000-014999 )	Strap, Mtg, Tank, Lpg	1	
6	58590	(014000-014999 )	Strap, Mtg, Tank, Lpg	1	
7	57297	(014000-014999 )	Strap, Mtg, Tank, Lpg, Hinge	1	
▽	8	53400-1	(014000-014999 )	Latch Assy, Mtg, Tank, Lpg, W/Nut	1
▲	9	53400-4	(014000-014999 )	Nut, Adj, Mtg, Tank, Lpg	1
10	26496	(014000-014999 )	Fitting, Brs, Qdc, Pf04 Lpg Fem	1	
11	22308	(014000-014999 )	Hose, Lpg, Med05, Pm04str/Sm04str, 27.0l	1	
12	56976A	(014000-014999 )	Fitting, Hyd, Tee, Pm04/Pf04/Pf04	2	
13	78122	(014000-014999 )	Fitting, Brs, Str, Pf04/Pf04, Bkhd	1	
14	27048	(014000-014999 )	Fitting, Brs, E90, Pm04/Pf04	1	
15	24047	(014000-014999 )	Valve, Lpg, Press Relief, [Rego]	1	
16	374690	(014000-014999 )	Angle, Stop, Lp Strap	1	
17	10661	(014000-014999 )	Bracket Assy, Tank, W/ Label, Lpg	1	
18	24928-1	(014000-014999 )	Tank, Lpg, 33lb, W/ Gauge [Empty] [Liq]	1	
19	11442-1	(014000-014999 )	Fitting, Pipe, E90, Sf04/Pm04	2	
20	22324	(014000-014999 )	Hose, Lpg, Med05, Pm04str/Sm04str, 31.0l	1	
21	17414	(014000-014999 )	Fitting, Pipe, Str, Pm04/Pf02	1	
22	23156	(014000-014999 )	Switch, Press, 12vdc 08a Spst Nc 0070psi	1	

Fig. 52 - Engine Fuel Tank Group, LPG (015000- )

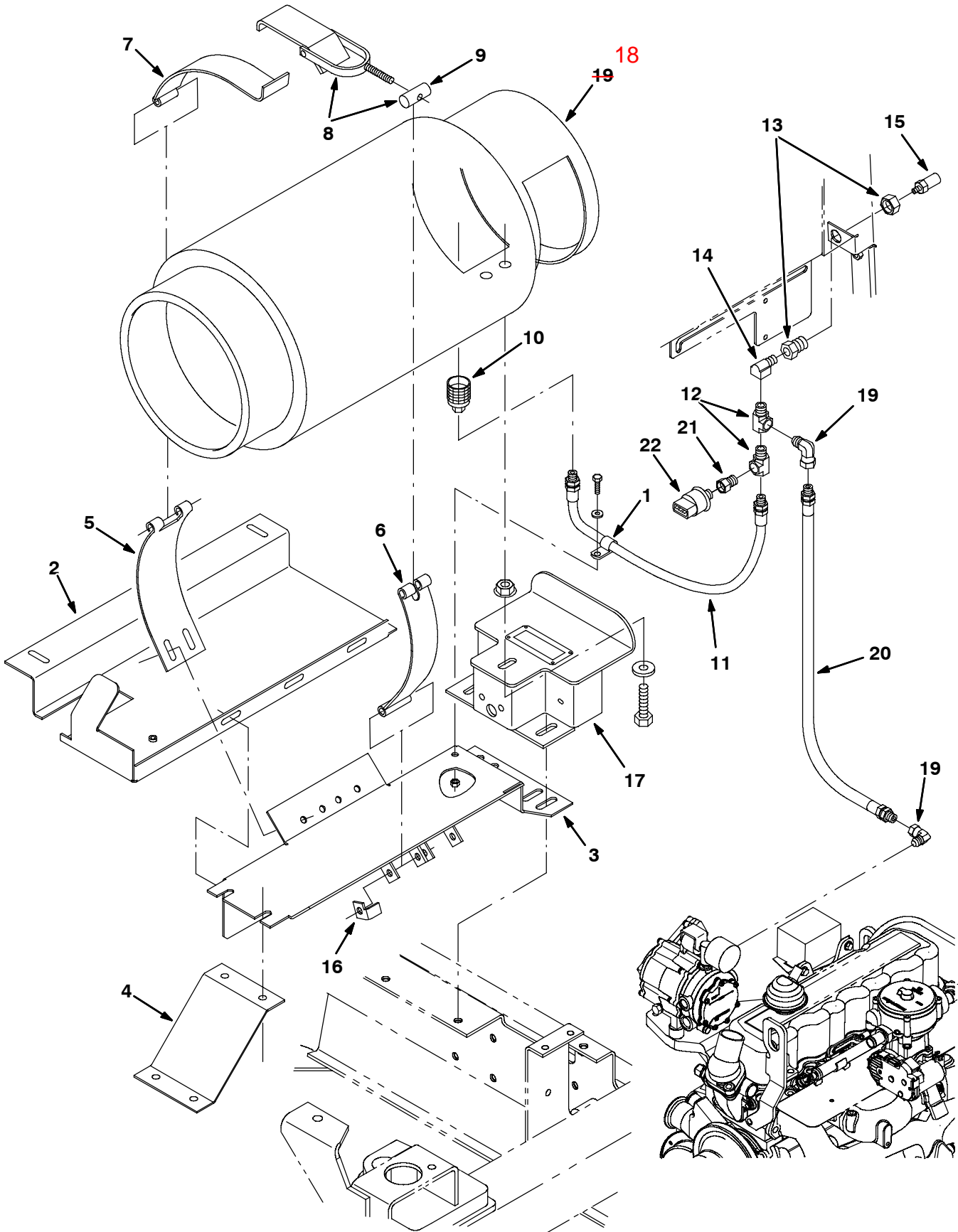


Fig. 52 - Engine Fuel Tank Group, LPG (015000- )

Ref.	Part No.	Serial Number	Description	Qty.	
1	67767	(015000-	) Clamp, Cable, Stl, 0.69d X 0.62w, 1h	1	
2	10653	(015000-	) Tray, Detgt	1	
3	10652	(015000-	) Panel Wldt, Cradle, Tank, Lpg	1	
4	10654	(015000-	) Bracket, Mtg, Tank, Lpg	1	
5	58589	(015000-	) Strap, Mtg, Tank, Lpg	1	
6	58590	(015000-	) Strap, Mtg, Tank, Lpg	1	
7	57297	(015000-	) Strap, Mtg, Tank, Lpg, Hinge	1	
▽	8	53400-1	(015000-	) Latch Assy, Mtg, Tank, Lpg, W/Nut	1
▲	9	53400-4	(015000-	) Nut, Adj, Mtg, Tank, Lpg	1
10	26496	(015000-	) Fitting, Brs, Qdc, Pf04 Lpg Fem	1	
11	22308	(015000-	) Hose, Lpg, Med05, Pm04str/Sm04str, 27.0l	1	
12	56976A	(015000-	) Fitting, Hyd, Tee, Pm04/Pf04/Pf04	2	
13	78122	(015000-	) Fitting, Brs, Str, Pf04/Pf04, Bkhd	1	
14	27048	(015000-	) Fitting, Brs, E90, Pm04/Pf04	1	
15	24047	(015000-	) Valve, Lpg, Press Relief, [Rego]	1	
16	374690	(015000-	) Angle, Stop, Lp Strap	1	
17	10661	(015000-	) Bracket Assy, Tank, W/ Label, Lpg	1	
18	24928-1	(015000-	) Tank, Lpg, 33lb, W/ Gauge [Empty] [Liq]	1	
19	11442-1	(015000-	) Fitting, Pipe, E90, Sf04/Pm04	2	
20	19760	(015000-	) Hose, Lpg, Med05, Pm04str/Sm04str, 055.0	1	
21	17414	(015000-	) Fitting, Pipe, Str, Pm04/Pf02	1	
22	23156	(015000-	) Switch, Press, 12vdc 08a Spst Nc 0070psi	1	

**Fig. 53 - Engine Radiator and Hydraulic Cooler Group (000000-012179)**

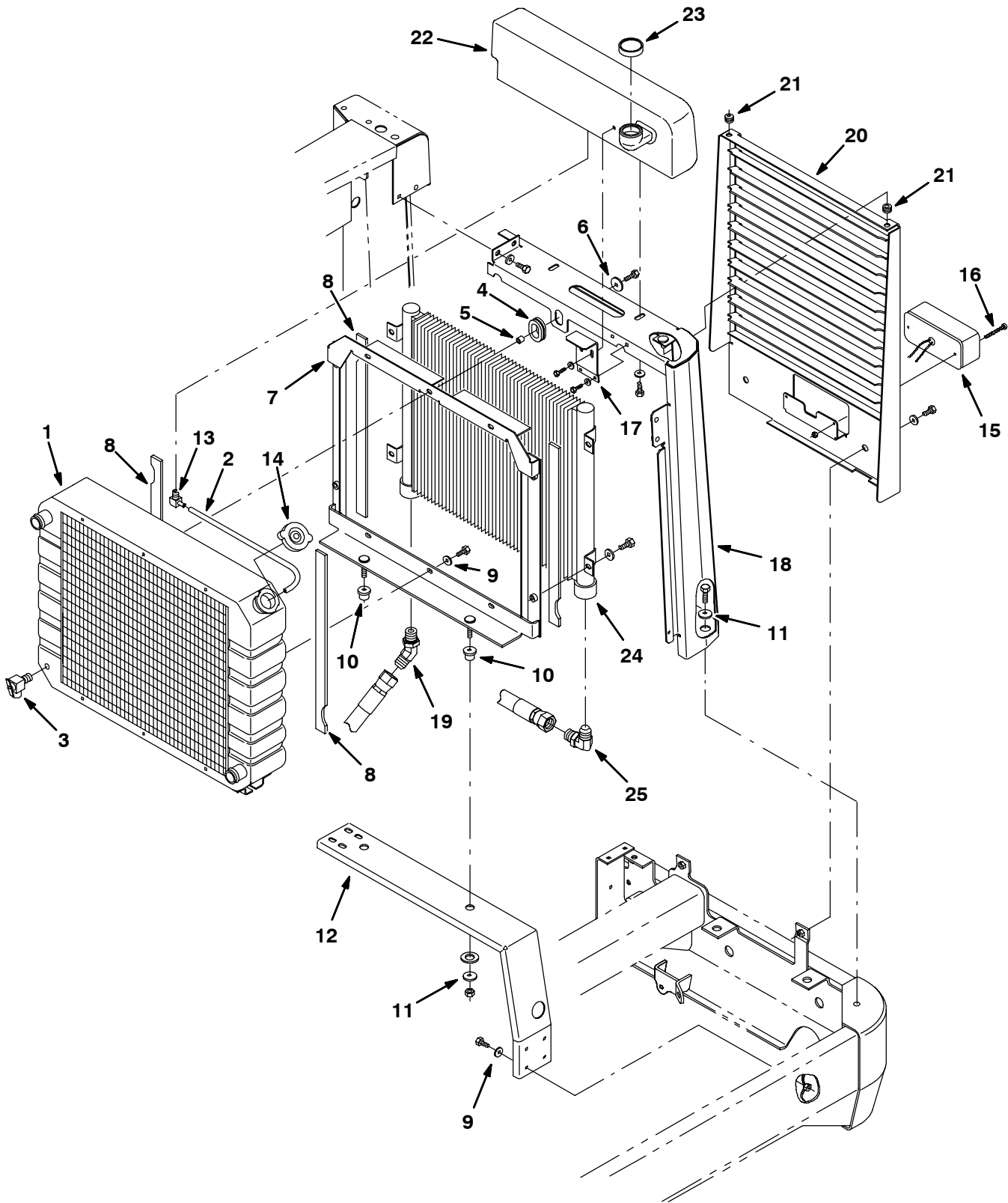


Fig. 53 - Engine Radiator and Hydraulic Cooler Group (000000-012179)

Ref.	Part No.	Serial Number	Description	Qty.
▽ 1	1018063AM	(000000-012179 )	Radiator, F/1018063 Afmkt	1
▲ 2	61683	(000000-012179 )	Hose	1
3	51305	(000000-012179 )	Drain Cock,.25Npt Wh#120 Angl	1
4	10632-14	(000000-012179 )	Grommet,Rbr,1.00ld,For .12Matl	1
5	22140	(000000-012179 )	Sleeve, .370B .50D .50 Butwcd	1
6	30013	(000000-012179 )	Washer-Flt .31 Fender Pltd	1
7	78928	(000000-012179 )	Frame Wldt, Mtg, Radiator	1
8	63818	(000000-012179 )	Seal, Duct	4
9	41186	(000000-012179 )	Washer-Belleville .31 Pltd	11
10	54274	(000000-012179 )	Isolator-Vibration,125Lb.Ratng	2
11	13248	(000000-012179 )	Washer .400B 1.12D .12Cr Znc	3
12	72688	(000000-012179 )	Channel, Mounting, Radiator	1
13	08228	(000000-012179 )	Ftg. Brass, Elb, 0.4Npt-.04 Brb	1
14	31755	(000000-012179 )	Cap Radiator	1
15	84030	(000000-012179 )	Taillight Assy, W/Quick Disc	1
16	54093	(000000-012179 )	Screw-Chs M 5X0.8 60 4.8	2
17	83845	(000000-012179 )	Bracket, Support	1
18	83753	(000000-012179 )	Panel Wldt, Corner	1
19	57479	(000000-012179 )	Ftg-Hyd E45	1
20	83740	(000000-012179 )	Grill	1
21	10632-12	(000000-012179 )	Grommet,Rbr,0.38ld,For .12Matl	2
22	83784	(000000-012179 )	Tank, Radiator Fill	1
23	83844	(000000-012179 )	Cap, Tank, Overflow	1
24	73106	(000000-012179 )	Cooler, Hyd 25Gpm 400Btu 0500	1
25	53077	(000000-012179 )	Ftg-Hyd E90 Jm16/Om16	1

Fig. 54 - Engine Radiator and Hydraulic Cooler Group (012180-013227)

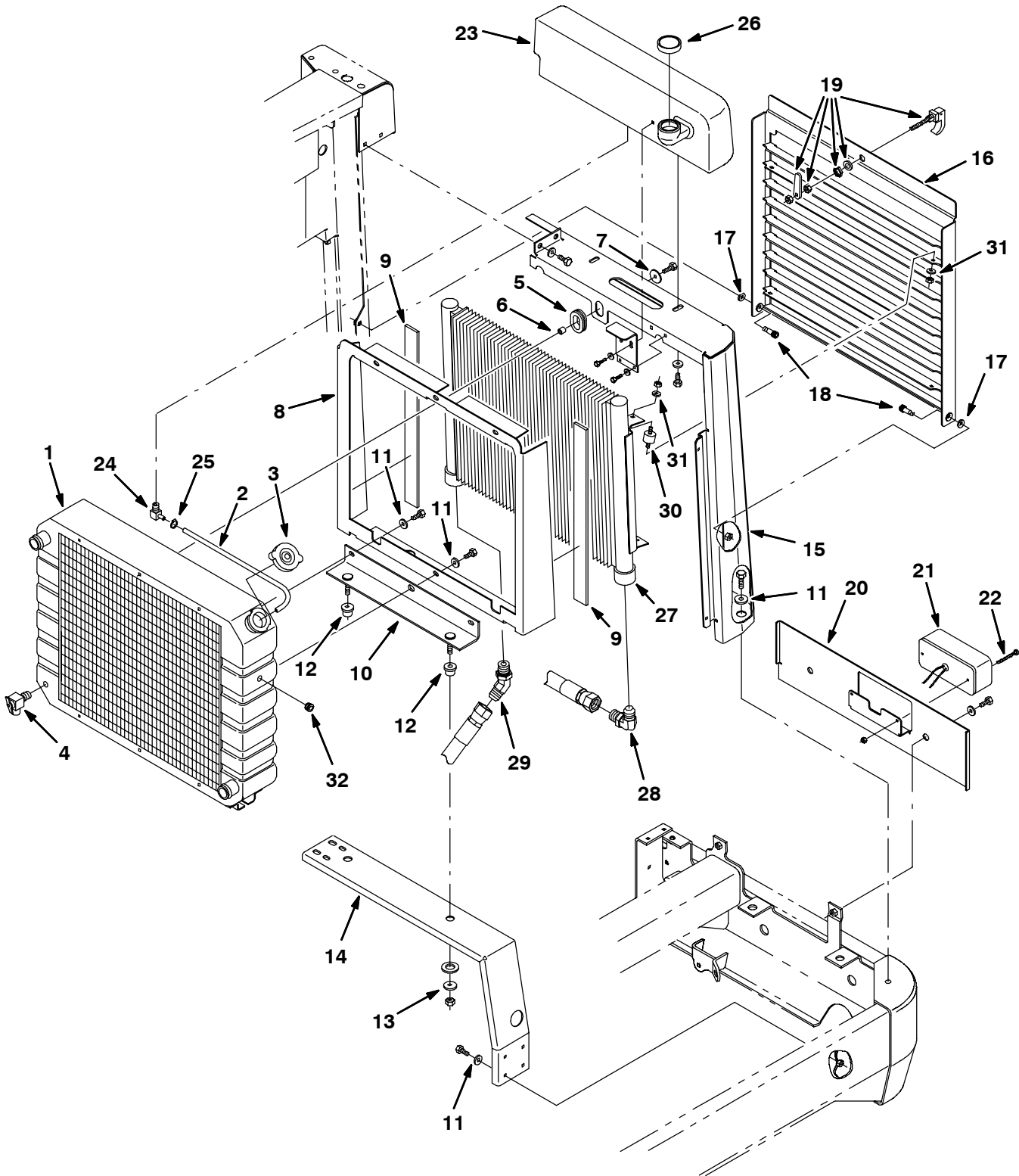


Fig. 54 - Engine Radiator and Hydraulic Cooler Group (012180-013227)

Ref.	Part No.	Serial Number	Description	Qty.
▽ 1	1018063AM	(012180-013227 )	Radiator, F/1018063 Afmkt	1
▲ 2	61683	(012180-013227 )	Hose	1
3	31755	(012180-013227 )	Cap Radiator	1
4	51305	(012180-013227 )	Drain Cock,.25Npt Wh#120 Angl	1
5	10632-14	(012180-013227 )	Grommet,Rbr,1.00ld,For .12Matl	1
6	22140	(012180-013227 )	Sleeve, .370B .50D .50 Butwcd	1
7	30013	(012180-013227 )	Washer-Flt .31 Fender Pltd	1
8	83575	(012180-013227 )	Frame, Air Duct	1
9	63818	(012180-013227 )	Seal, Duct	2
10	84136	(012180-013227 )	Plate, Mtg, Radiator	1
11	41186	(012180-013227 )	Washer-Belleville .31 Pltd	11
12	54274	(012180-013227 )	Isolator-Vibration,125Lb.Ratng	2
13	13248	(012180-013227 )	Washer .400B 1.12D .12Cr Znc	4
14	72688	(012180-013227 )	Channel, Mounting, Radiator	1
15	84127	(012180-013227 )	Tower Wldt, Corner	1
16	84132	(012180-013227 )	Grill Wldt, Rear	1
17	43611	(012180-013227 )	Washer, .391B .75D .06Nylon	1
18	02129	(012180-013227 )	Scr-Shld .375Dx0.38L .31-18	1
19	20838	(012180-013227 )	Fastener, Southco #62-10-102-30	1
20	84128	(012180-013227 )	Plate, Mtg, Channel	1
21	84030	(012180-013227 )	Taillight Assy, W/Quick Disc	1
22	54093	(012180-013227 )	Screw-Chs M 5X0.8 60 4.8	2
23	83784	(012180-013227 )	Tank, Radiator Fill	1
24	08228	(012180-013227 )	Ftg. Brass, Elb, 0.4Npt-.04 Brb	1
25	43844	(012180-013227 )	Clamp-Wormdrive, 0.25-0.62D	1
26	83844	(012180-013227 )	Cap, Tank, Overflow	1
27	84134	(012180-013227 )	Cooler, Hydraulic	1
28	53077	(012180-013227 )	Ftg-Hyd E90 Jm16/Om16	1
29	57479	(012180-013227 )	Ftg-Hyd E45	1
30	51322	(012180-013227 )	Isolator-Vibration .31-18	4
31	43952	(012180-013227 )	Washer-Loc int .31 Ss	8
32	02247	(xxxxxx-013227 )	Fitting, Plug	1

Fig. 55 - Engine Radiator and Hydraulic Cooler Group (013228- )

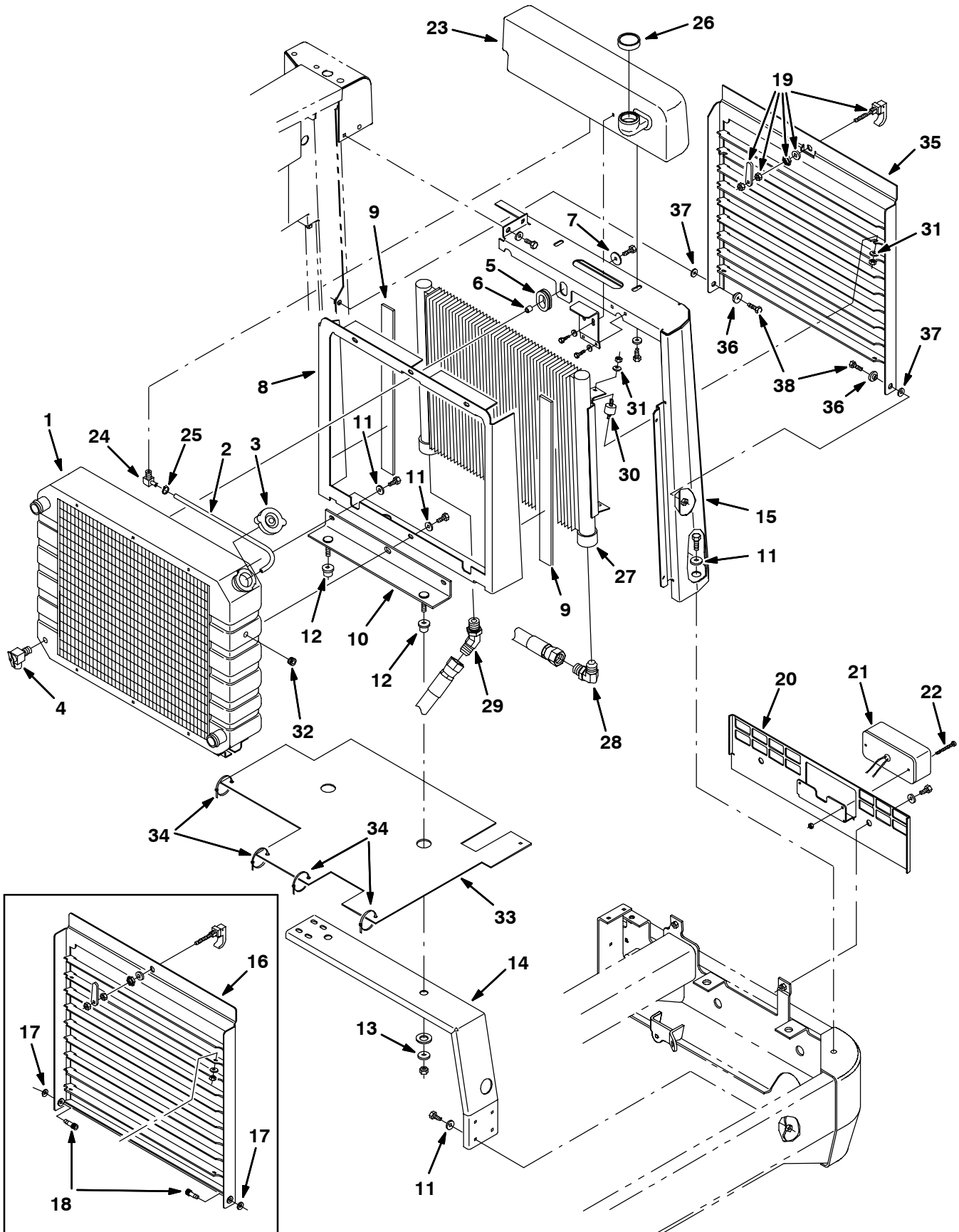




Fig. 55 - Engine Radiator and Hydraulic Cooler Group (013228- )

Ref.	Part No.	Serial Number	Description	Qty.
▽ 1	1018063AM	(013228-	) Radiator, F/1018063 Afmkt	1
▲ 2	61683	(013228-	) Hose	1
3	368132	(013228-	) Cap, Radiator, 15psi, [Stant #a02502]	1
4	51305	(013228-	) Drain Cock,.25Npt Wh#120 Angl	1
5	10632-14	(013228-	) Grommet,Rbr,1.00Id,For .12Matl	1
6	22140	(013228-	) Sleeve, .370B .50D .50 Butwcd	1
7	30013	(013228-	) Washer-Flt .31 Fender Pltd	1
8	1013941	(013228-	) Shroud, Duct, Air	1
9	63818	(013228-	) Seal, Duct	2
10	84136	(013228-	) Plate, Mtg, Radiator	1
11	41186	(013228-	) Washer-Belleville .31 Pltd	11
12	54274	(013228-	) Isolator-Vibration,125Lb.Ratng	2
13	13248	(013228-	) Washer .400B 1.12D .12Cr Znc	4
14	72688	(013228-	) Channel, Mounting, Radiator	1
15	84127	(013228-	) Tower Wldt, Corner	1
16	84132	(013228-014023	) Grill Wldt, Rear	1
17	43611	(013228-014023	) Washer, .391B .75D .06Nylon	1
18	02129	(013228-014023	) Scr-Shld .375Dx0.38L .31-18	1
19	20838	(013228-	) Fastener, Southco #62-10-102-30	1
20	1014689	(013228-	) Plate, Mtg, Channel	1
21	84030	(013228-	) Taillight Assy, W/Quick Disc	1
22	393203	(013228-	) Screw, Chz, M 5 X 0.8 X 55, 4.8	2
23	83784	(013228-	) Tank, Radiator Fill	1
24	08228	(013228-	) Ftg. Brass, Elb, 0.4Npt-.04 Brb	1
25	43844	(013228-	) Clamp-Wormdrive, 0.25-0.62D	1
26	83844	(013228-	) Cap, Tank, Overflow	1
27	84134	(013228-	) Cooler, Hydraulic	1
28	53077	(013228-	) Ftg-Hyd E90 Jm16/Om16	1
29	57479	(013228-	) Ftg-Hyd E45	1
30	51322	(013228-	) Isolator-Vibration .31-18	4
31	43952	(013228-	) Washer-Loc int .31 Ss	8
32	02247	(013228-	) Fitting, Plug	1
33	1012199	(013228-	) Skirt, Recirculation	1
34	49266	(013228-	) Tie, Cable, Nyl, 07.3l .19w 1.8 Max D	4
35	84129	(014024-	) Grill, Rear	1
36	80950	(014024-	) Bushing, Flng, 0.32b 0.50d 0.24l, Bnz	2
37	32490	(014024-	) Washer, Flat, 0.25 Std	2
38	76955	(014024-	) Screw, Hex, .31-18 X 1.00, 5	2

# STANDARD PARTS

Fig. 56 - Engine Radiator Housing and Fan Motor Group (000000-014999)

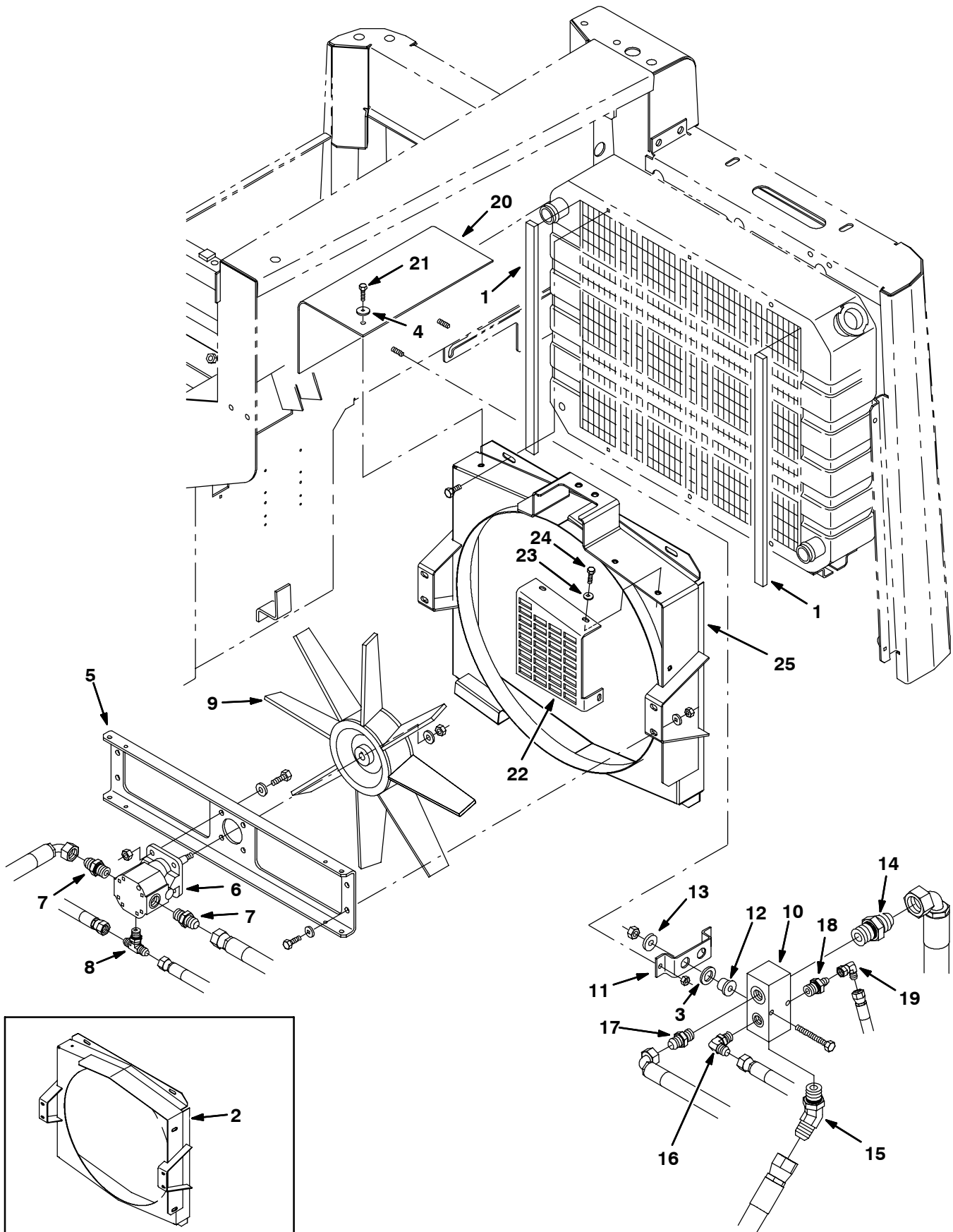


Fig. 56 - Engine Radiator Housing and Fan Motor Group (000000-014999)

Ref.	Part No.	Serial Number	Description	Qty.
1	48629	(000000-014999 )	Seal,Foam Rbr, .38 .75W 18.2L	2
2	380726	(000000-013999 )	Guard Wldt, Fan W/Label	1
3	39350	(000000-014999 )	Washer-Flt .75	2
4	41178	(000000-014999 )	Washer-Flt .25 Fender Pltd	1
5	1018919	(000000-014999 )	Channel, Mtg, Fan Motor	1
6	73098	(000000-014999 )	Motor, Hyd Gear Ex 0.26 R3000	1
7	52402	(000000-014999 )	Ftg-Hyd Str Jm06/Om08	2
8	31599	(000000-014999 )	Ftg-Hyd Tee Jm04Omjm	1
9	375586	(000000-014999 )	Fan, Radiator	1
10	73108	(000000-014999 )	Manifold, Hyd Collector	1
11	10740	(000000-014999 )	Bracket, Support	1
12	54274	(000000-014999 )	Isolator-Vibration,125Lb.Ratng	2
13	13248	(000000-014999 )	Washer .400B 1.12D .12Cr Znc	2
14	52929	(000000-014999 )	Ftg-Hyd Str Jm16/Om16	1
15	16081	(000000-014999 )	Ftg-Hyd E45 Jm12/Om12	1
16	56820	(000000-014999 )	Ftg-Hyd E90 Jm06/Om06	1
17	44869	(000000-014999 )	Fitting, Hyd, Str, Jm08/Om08	1
18	55686	(000000-014999 )	Ftg-Hyd Str Jm04/Om08	1
19	39210	(000000-014999 )	Ftg-Hyd E90 Jm04/Jf04	1
20	75375	(000000-014999 )	Flap, Containment	1
21	06943	(000000-014999 )	Scr Hex M6X1.0	1
22	1019351	(014000-014999 )	Shield, Fan	1
23	32483	(014000-014999 )	Washer, Flat, 0.25 Sae	3
24	06943	(014000-014999 )	Screw, Hex, M6 X 1.0 X 20, 8.8	3
25	9001064	(014000-014999 )	Shroud Wldt, Fan, Radiator, W/ Label	1

Fig. 57 - Engine Radiator Housing and Fan Motor Group (015000- )

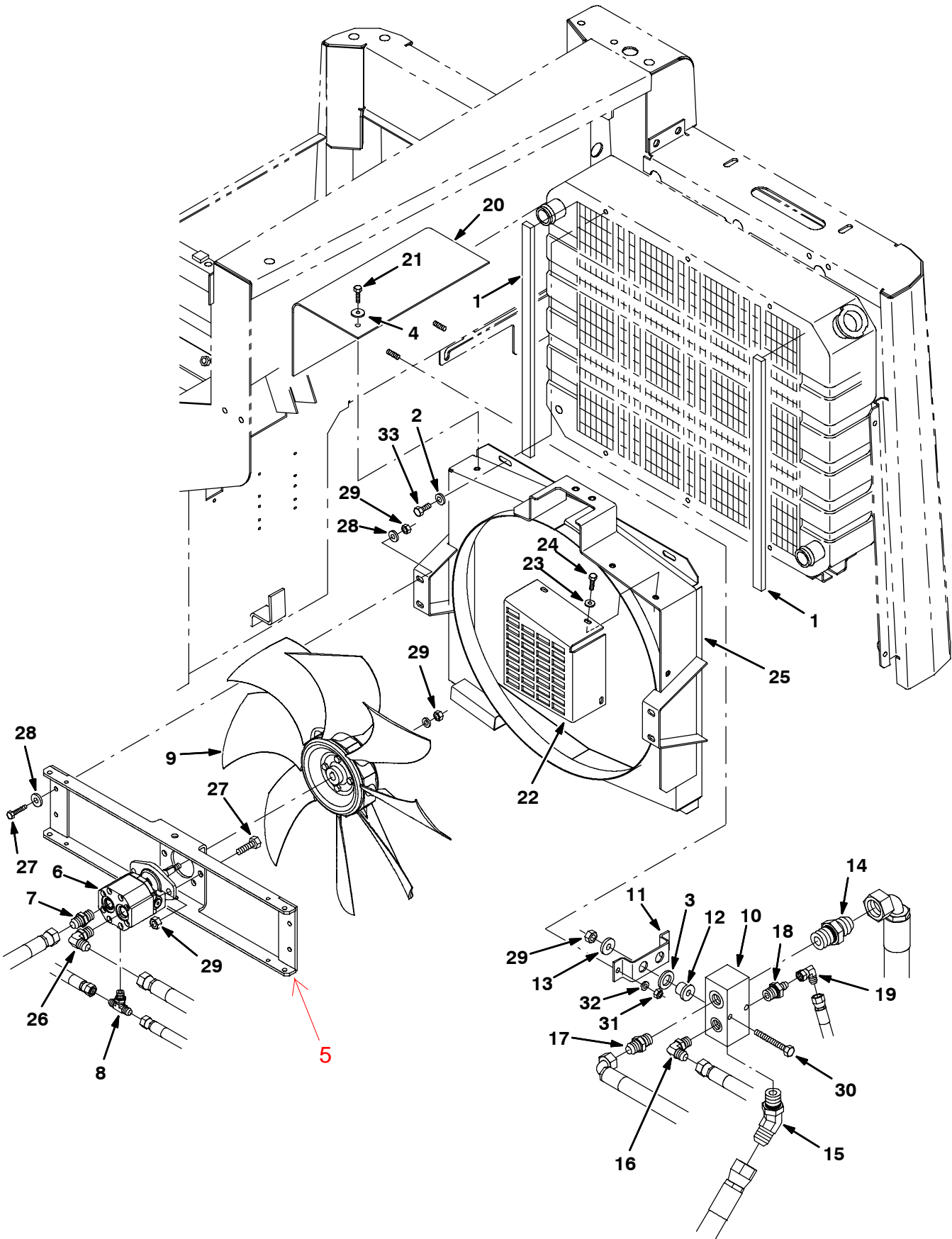


Fig. 57 - Engine Radiator Housing and Fan Motor Group (015000- )

Ref.	Part No.	Serial Number	Description	Qty.
1	48629	(015000-	) Seal,Foam Rbr, .38 .75W 18.2L	2
2	41186	(015000-	) Washer, Flat, Belleville, .31	4
3	39350	(015000-	) Washer-Flt .75	2
4	41178	(015000-	) Washer-Flt .25 Fender Pltcl	1
1033344	<del>103344</del>	(015000-	) <del>Channel, Mtg, Fan Motor</del> Bracket, Wldt, Mtg, Motor 2007	1
6	71719	(015000-	) Motor, Hyd, Gear, Ext 0.29 Rh 3000	1
7	52402	(015000-	) Fitting, Hyd, Str, Jm06/Om08	1
8	31599	(015000-	) Ftg-Hyd Tee Jm04Omjm	1
9	375586	(015000-	) Fan, Radiator	1
10	73108	(015000-	) Manifold, Hyd Collector	1
11	10740	(015000-	) Bracket, Support	1
12	54274	(015000-	) Isolator-Vibration,125Lb.Ratng	2
13	13248	(015000-	) Washer .400B 1.12D .12Cr Znc	2
14	52929	(015000-	) Ftg-Hyd Str Jm16/Om16	1
15	16081	(015000-	) Ftg-Hyd E45 Jm12/Om12	1
16	56820	(015000-	) Ftg-Hyd E90 Jm06/Om06	1
17	44869	(015000-	) Fitting, Hyd, Str, Jm08/Om08	1
18	55686	(015000-	) Ftg-Hyd Str Jm04/Om08	1
19	39210	(015000-	) Ftg-Hyd E90 Jm04/Jf04	1
20	75375	(015000-	) Flap, Containment	1
21	06943	(015000-	) Scr Hex M6X1.0	1
22	1033687	(015000-	) Shield, Fan, Gas/Lpg [8410 07]	1
23	32483	(015000-	) Washer, Flat, 0.25 Sae	3
24	06943	(015000-	) Screw, Hex, M6 X 1.0 X 20, 8.8	3
25	9001064	(015000-	) Shroud Wldt, Fan, Radiator, W/ Label	1
26	47512	(015000-	) Fitting, Hyd, E90, Jm06/Om08	1
27	39277	(015000-	) Screw, Hex, M8 X 1.25 X 25, 8.8	6
28	32491	(015000-	) Washer, Flat, 0.31, Std	8
29	08709	(015000-	) Nut, Hex, Lock, M8 X 1.25, NI	9
30	06958	(015000-	) Screw, Hex, M8 X 1.25 X 80, 8.8	2
31	08708	(015000-	) Nut, Hex, Lock, M6 X 1.00, NI	2
32	19066	(015000-	) Washer, Flat, #10	4
33	16735	(015000-	) Screw, Hex, M8 X 1.25 X 16, 8.8	4

# STANDARD PARTS

Fig. 58 - Engine Radiator Hose and Hydraulic Filter Group (000000-013227)

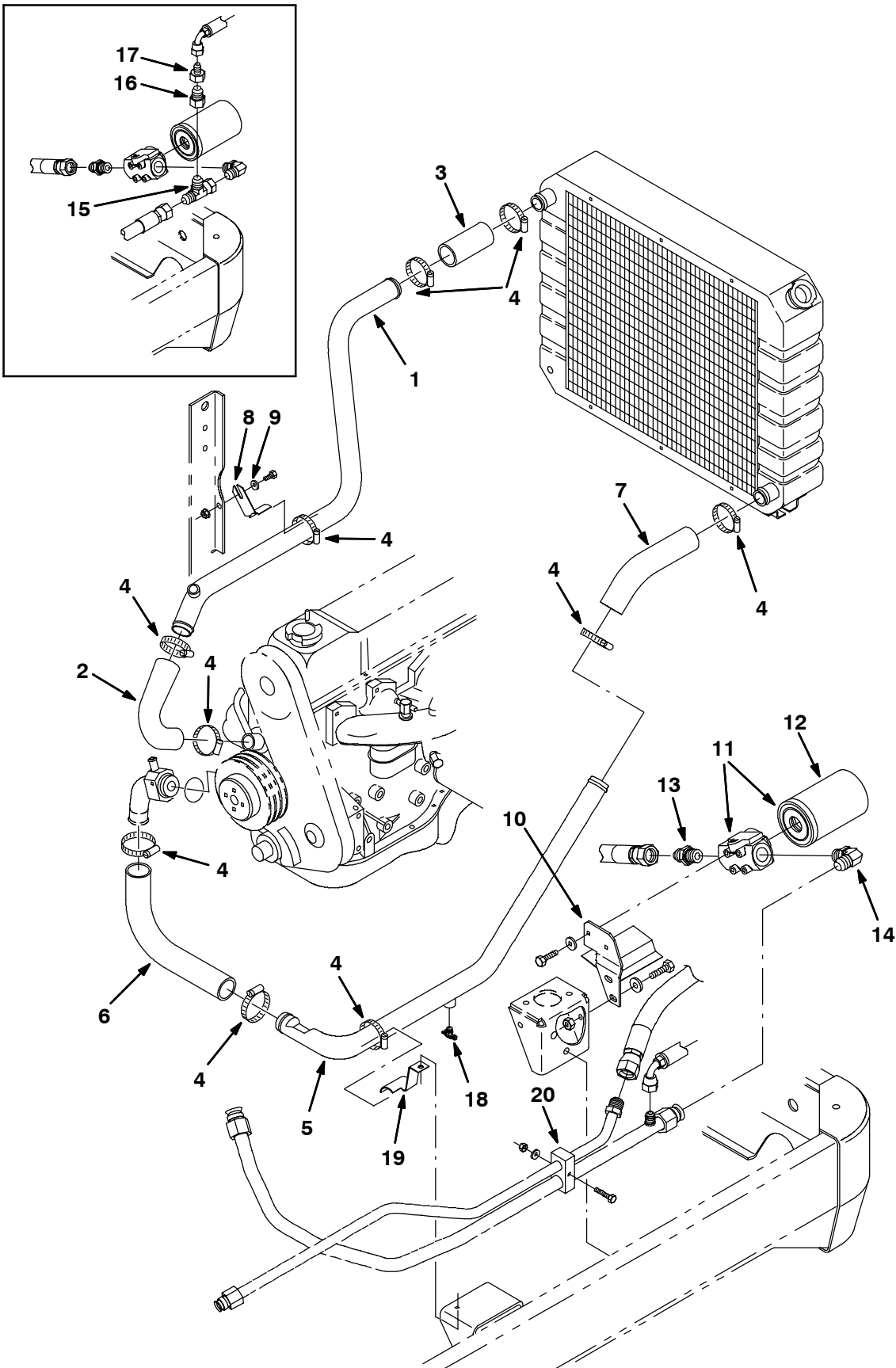


Fig. 58 - Engine Radiator Hose and Hydraulic Filter Group (000000-013227)

Ref.	Part No.	Serial Number	Description	Qty.	
1	83746	(000000-013227 )	Tube, Radiator, Upper, Gas/Lpg	1	
2	70636	(000000-013227 )	Hose, Radiator, Upper	1	
3	74944	(000000-013227 )	Coupling, Hose	1	
4	79381	(000000-013227 )	Clamp Wormdrive, 1.25-2.00	10	
5	73266	(000000-013227 )	Tube, Radiator, Lower, Gas/Lpg	1	
6	83690	(000000-013227 )	Hose, Radiator, Lower	1	
7	77289	(000000-013227 )	Hose, Elbow, Molded 45 1.50ld	1	
8	74058	(000000-013227 )	Bracket	1	
9	41185	(000000-013227 )	Washer-Belleville .25 Pltd	1	
10	77362	(000000-013227 )	Bracket Wldt	1	
▽	11	10664	(000000-013227 )	Filter Assy, Spin-On	1
▲	12	65221	(000000-013227 )	Element, Filter	1
	13	34357	(000000-013227 )	Ftg-Hyd Str Jm16/Om12	1
	14	52142	(000000-013227 )	Ftg-Hyd E90 Jm16/Om12	1
	15	73113	(000000-012574 )	Fitting-Hyd Tee	1
	16	35002	(000000-012574 )	Ftg-Hyd Str See60054 Jm12/Jf16	1
	17	78143	(000000-012574 )	Ftg-Hyd Str Jm08/Jf12	1
	18	54911-32	(000000-013227 )	Fitting, Brass Drain Cock	1
	19	84123	(000000-013227 )	Bracket, MTG, Radiator Tube	1
	20	84169	(012513-013227 )	Clamp-Tube 2 Hole	1

Fig. 59 - Engine Radiator Hose and Hydraulic Filter Group (013228-013999)

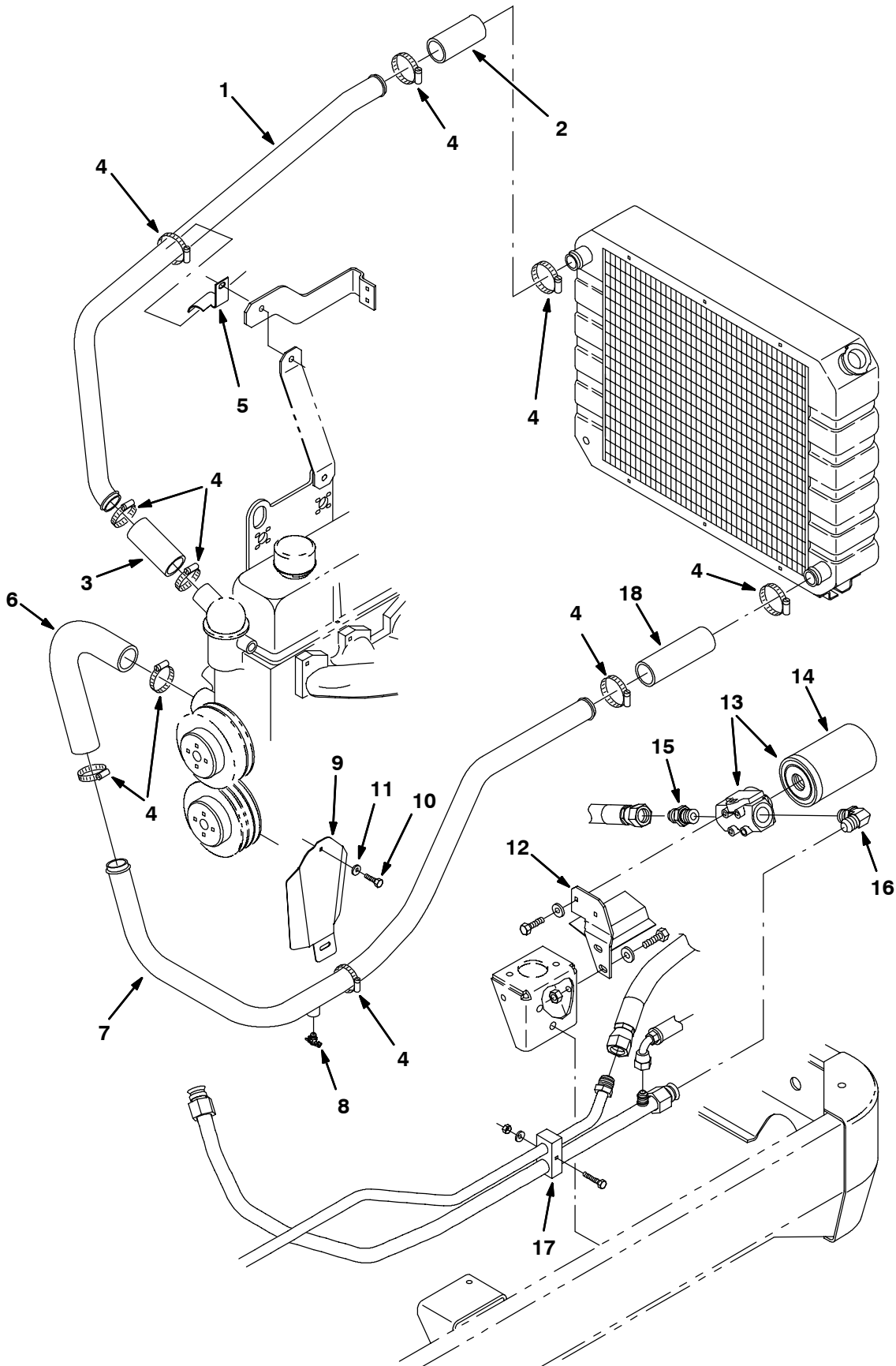




Fig. 59 - Engine Radiator Hose and Hydraulic Filter Group (013228-013999)

Ref.	Part No.	Serial Number	Description	Qty.	
1	392584	(013228-013999 )	Tube, Coolant, 1.5d Upper, Gas/Lpg	1	
2	74944	(013228-013999 )	Hose, Rbr, 1.50id 1.88od 04.0l	1	
3	62378	(013228-013999 )	Hose, Rbr, 1.25id 1.62od 03.0l	1	
4	79381	(013228-013999 )	Clamp Wormdrive, 1.25-2.00	10	
5	392638	(013228-013999 )	Bracket, Mtg, Radiator, Tube, Upper	1	
6	392647	(013228-013999 )	Hose, Coolant, 1.50id To 1.75id, Mold	1	
7	392583	(013228-013999 )	Tube, Coolant, 1.5d W/.25npt Low,Gas/Lpg	1	
8	54911-32	(013228-013999 )	Fitting, Brass Drain Cock	1	
9	393216	(013228-013999 )	Plate, Shield, Heat, w/Label	1	
10	54396	(013228-013999 )	Screw, Hex, .31-18 X 0.75, 5	1	
11	32491	(013228-013999 )	Washer, Flat, .31 Std	1	
12	77362	(013228-013999 )	Bracket Wldt	1	
▽	13	10664	(013228-013999 )	Filter Assy, Spin-On	1
▲	14	65221	(013228-013999 )	Element, Filter	1
15	34357	(013228-013999 )	Ftg-Hyd Str Jm16/Om12	1	
16	52142	(013228-013999 )	Ftg-Hyd E90 Jm16/Om12	1	
17	84169	(013228-013999 )	Clamp-Tube 2 Hole	1	
18	78750	(013228-013999 )	Hose, Rbr, 1.50id 1.88od 06.0l	1	

Fig. 60 - Engine Radiator Hose and Hydraulic Filter Group (014000-014999)

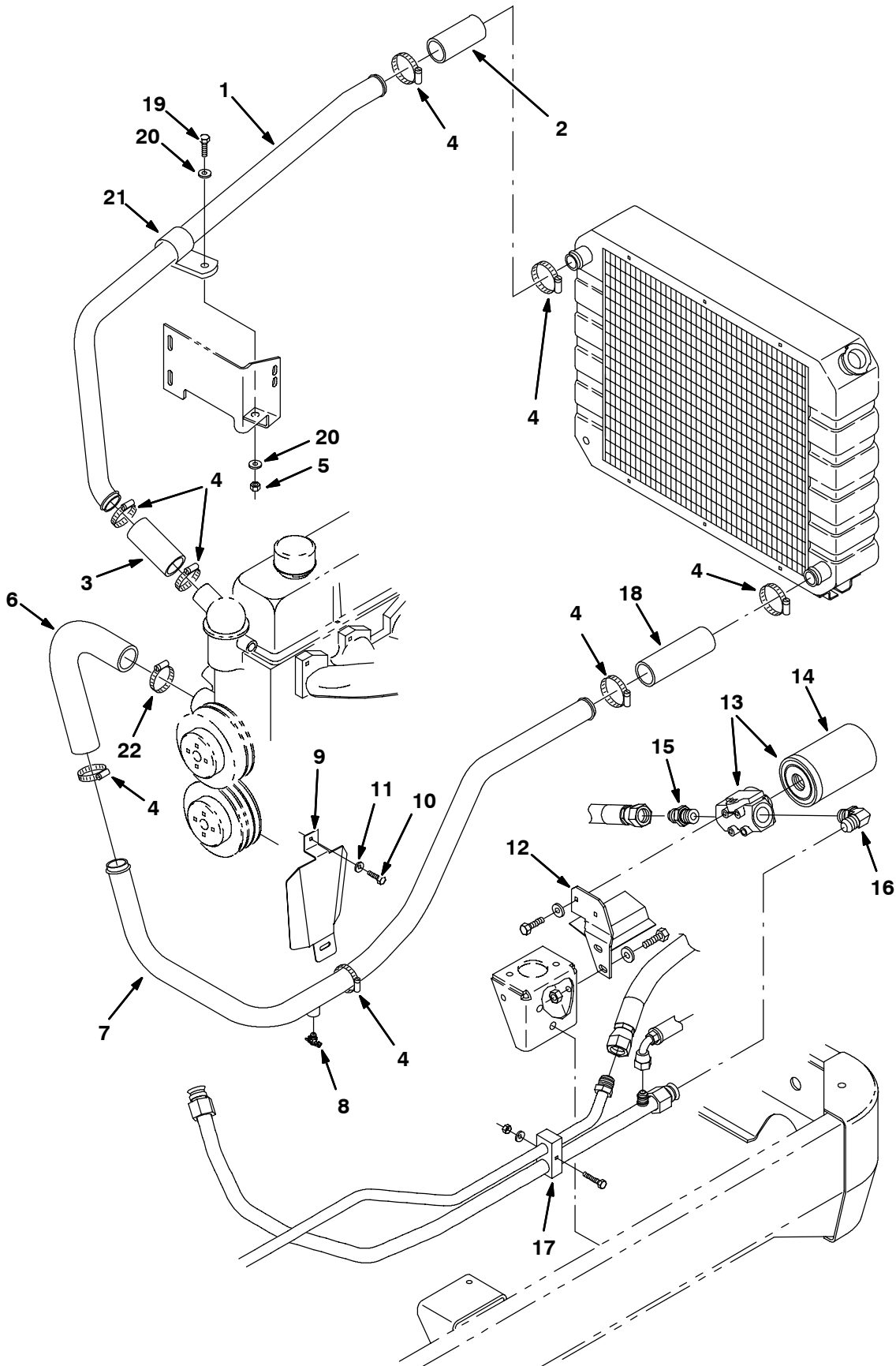


Fig. 60 - Engine Radiator Hose and Hydraulic Filter Group (014000-014999)

Ref.	Part No.	Serial Number	Description	Qty.	
1	392584	(014000-014179 )	Tube, Coolant, 1.5d Upper, Gas/Lpg	1	
1	1018644	(014180-014999 )	Tube, Coolant, 1.5d Upper, Gas/Lpg	1	
2	74944	(014000-014999 )	Hose, Rbr, 1.50id 1.88od 04.0l	1	
3	62378	(014000-014179 )	Hose, Rbr, 1.25id 1.62od 03.0l	1	
3	62377	(014180-014999 )	Hose, Rbr, 1.50id 1.88od 03.0l	1	
4	79381	(014000-014999 )	Clamp Wormdrive, 1.25-2.00	8	
5	08709	(014000-014999 )	Nut, Hex, Lock, M8 X 1.25, NI	1	
6	392647	(014000-014999 )	Hose, Coolant, 1.50id To 1.75id, Mold	1	
7	392583	(014000-014999 )	Tube, Coolant, 1.5d W/.25npt Low, Gas/Lpg	1	
8	54911-32	(014000-014999 )	Fitting, Brass Drain Cock	1	
9	9000596	(014000-014999 )	Shield, Heat, W/Label	1	
10	54396	(014000-014999 )	Screw, Hex, .31-18 X 0.75, 5	1	
11	32491	(014000-014999 )	Washer, Flat, .31 Std	1	
12	1013438	(014000-014999 )	Bracket Wldt, Fltr, Hyd	1	
▽	13	10664	(014000-014999 )	Filter Assy, Spin-On	1
▲	14	65221	(014000-014999 )	Element, Filter	1
	15	34357	(014000-014999 )	Ftg-Hyd Str Jm16/Om12	1
	16	52142	(014000-014999 )	Ftg-Hyd E90 Jm16/Om12	1
	17	84169	(014000-014999 )	Clamp-Tube 2 Hole	1
	18	78750	(014000-014999 )	Hose, Rbr, 1.50id 1.88od 06.0l	1
	19	16931	(014000-014999 )	Screw, Hex, M8 X 1.25 X 20, 8.8	1
	20	32491	(014000-014999 )	Washer, Flat, 0.31 Std	2
	21	53466	(014000-014999 )	Clamp, Cable, Stl, 1.50d X 1.00w, 1h	1
	22	22297	(014000-014999 )	Clamp, Hose, Wormdrive, 1.56-2.50d, .50w	1

**Fig. 61 - Engine Radiator Hose and Hydraulic Filter Group (015000- )**

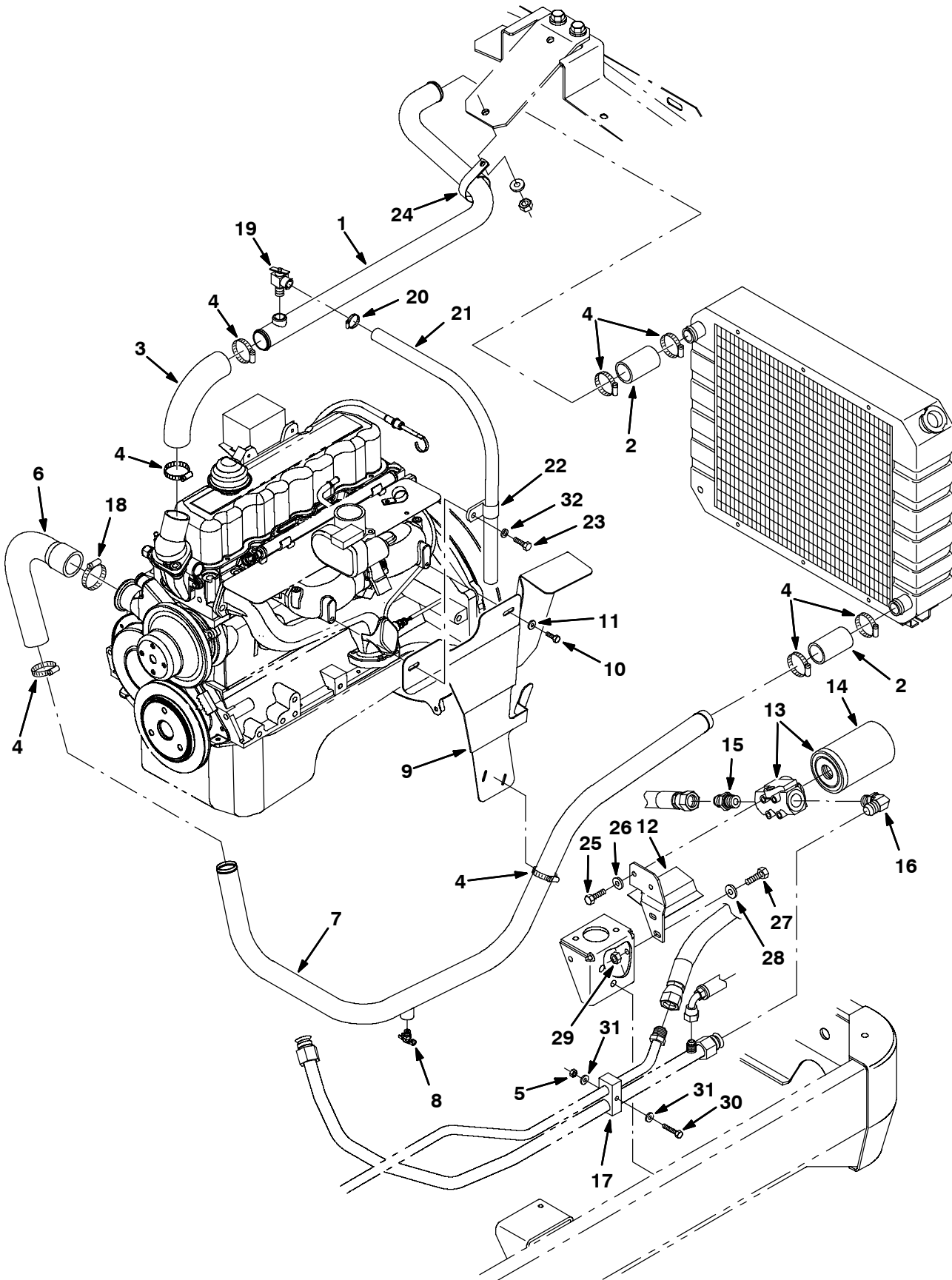


Fig. 61 - Engine Radiator Hose and Hydraulic Filter Group (015000- )

Ref.	Part No.	Serial Number	Description	Qty.	
1	1030224	(015000-	) Tube, Radiator, Upper [8410/Lpg/Gas]	1	
2	74944	(015000-	) Hose, Rbr, 1.50id 1.88od 04.0l	2	
3	380748	(015000-	) Hose, Rbr, E90, 1.50id 1.50id 06.3 04.5	1	
4	79381	(015000-	) Clamp Wormdrive, 1.25-2.00	8	
5	08709	(015000-	) Nut, Hex, Lock, M8 X 1.25, NI	1	
6	392647	(015000-	) Hose, Coolant, 1.50id To 1.75id, Mold	1	
7	1030143	(015000-	) Tube, Coolant, Gas/Lpg [8410 2007]	1	
8	54911-32	(015000-	) Fitting, Brass Drain Cock	1	
9	1029737	(015000-	) Shield Wldt, Heat, Manifold	1	
10	16931	(015000-	) Screw, Hex, M8 X 1.25 X 20, 8.8	1	
11	32490	(015000-	) Washer, Flat, 0.25, Std	1	
12	1013438	(015000-	) Bracket Wldt, Fltr, Hyd	1	
▽	13	10664	(015000-	) Filter Assy, Spin-On	1
▲	14	65221	(015000-	) Element, Filter	1
15	34357	(015000-	) Ftg-Hyd Str Jm16/Om12	1	
16	52142	(015000-	) Ftg-Hyd E90 Jm16/Om12	1	
17	84169	(015000-	) Clamp-Tube 2 Hole	1	
18	22297	(015000-	) Clamp, Hose, Wormdrive, 1.56-2.50d, .50w	1	
19	51305	(015000-	) Fitting, Draincock, E90, .25npt	1	
20	43844	(015000-	) Clamp, Hose, Wormdrive, 0.25-0.62d, .31w	1	
21	1006416	(015000-	) Hose, Afmkt, Pvc, Clr, 0.38id, 03ft	1	
22	67767	(015000-	) Clamp, Cable, Stl, 0.69d X 0.62w, 1hole	1	
23	06942	(015000-	) Screw, Hex, M6 X 1.0 X 16, 8.8	1	
24	70157	(015000-	) Clamp, Cable, Ss, 2.50d X 1.00w, 1hole	1	
25	21195	(015000-	) Screw, Hex, .38-16 X 0.75, G5	2	
26	32491	(015000-	) Washer, Flat, 0.31, Std	2	
27	03192	(015000-	) Screw, Hex, M10 X 1.5 X 30, 8.8	2	
28	32492	(015000-	) Washer, Flat, 0.38, Std	2	
29	07792	(015000-	) Nut, Hex, Flng, M10 X 1.50	2	
30	39278	(015000-	) Screw, Hex, M8 X 1.25 X 50, 8.8	1	
31	32485	(015000-	) Washer, Flat, 0.38, Sae	2	
32	32483	(015000-	) Washer, Flat, 0.25, Sae	1	

Fig. 62 - Engine Battery Group

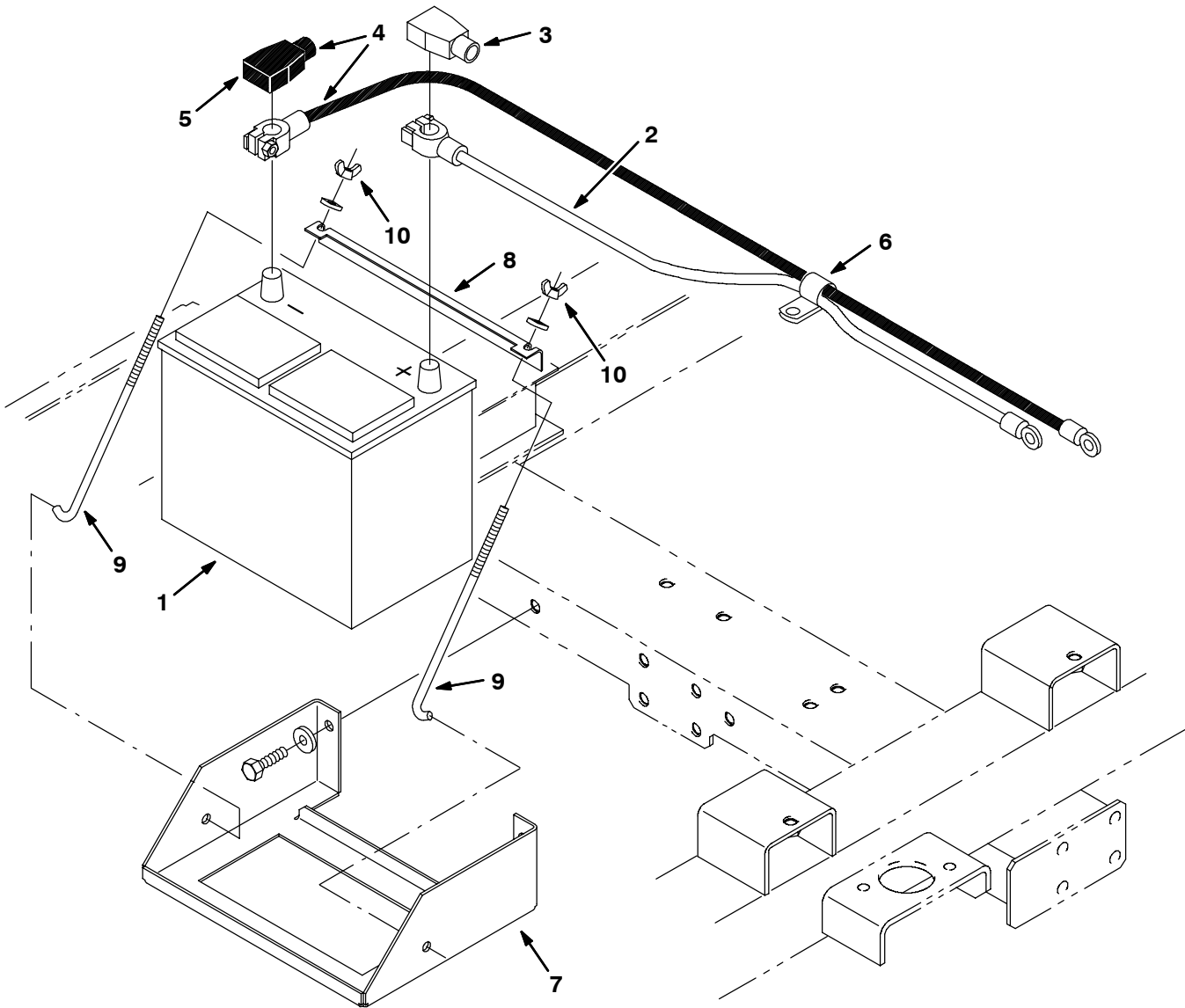


Fig. 62 - Engine Battery Group

Ref.	Part No.	Serial Number	Description	Qty.	
1	10137	(000000-	) Battery, 12V, Cc Amps:475 Wet	1	
2	34823	(000000-	) Cable, Batt. Term. 1-2Ga. Red	1	
3	68873	(000000-	) Boot,Batt.Term. 1-2Ga. Red	1	
▽	4	60293	(000000-	) Wire, 42.0 Lg, 2Ga, Neg	1
▲	5	68872	(000000-	) Boot,Batt.Term.1-2Ga. Black	1
6	69234	(000000-	) Clamp-Cable, 1.00Dia. .62Wth	1	
7	10606	(000000-	) Tray, Battery	1	
8	72977	(000000-	) Angle, Battery	1	
9	13015	(000000-	) Bolt, Hold Down, Battery, 7.5 Lg	2	
10	39272	(000000-	) Nut-Wing .31-18 Pltd	2	

Fig. 63 - Wheel Group, Rear Drive

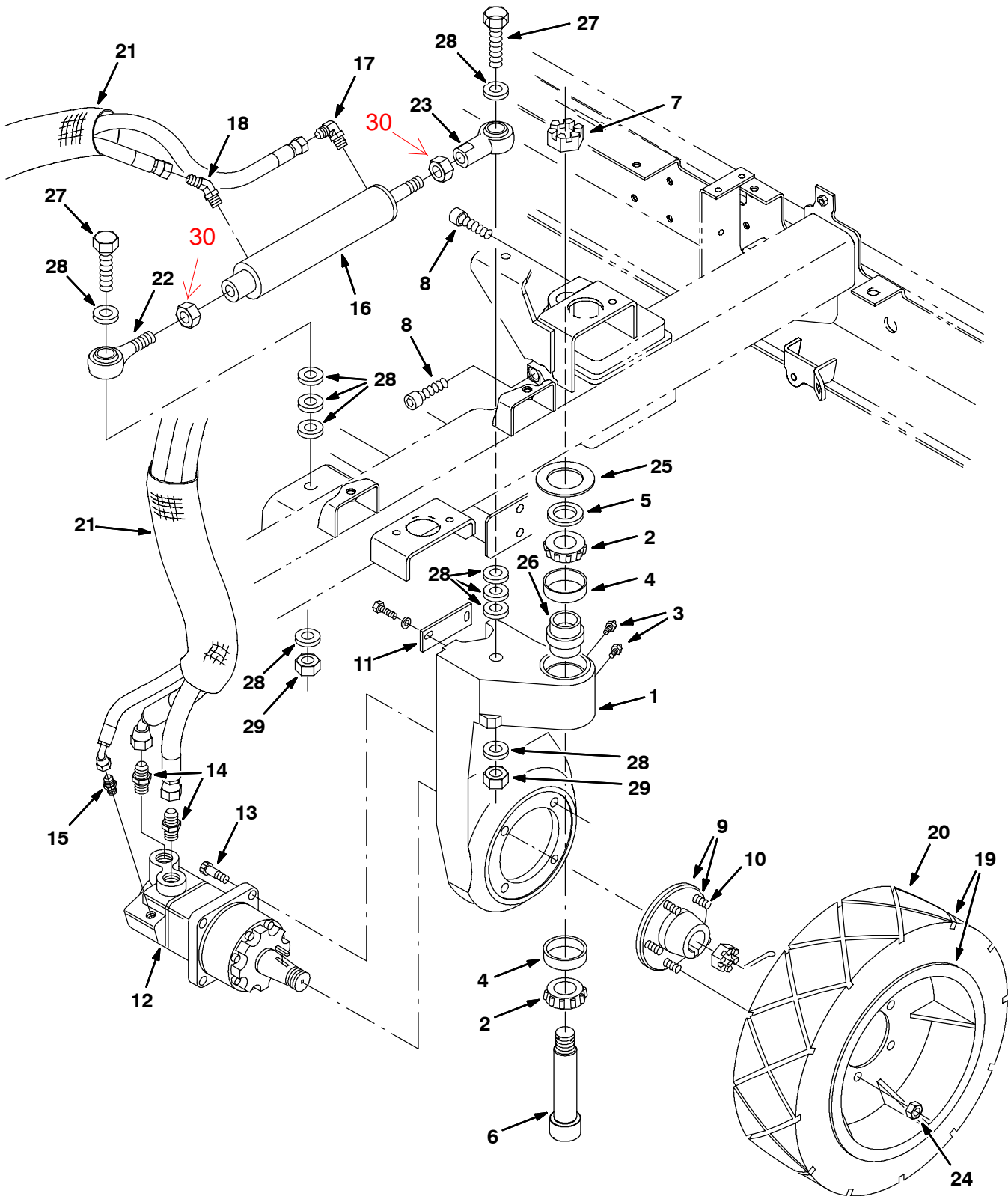




Fig. 63 - Wheel Group, Rear Drive

Ref.	Part No.	Serial Number	Description	Qty.	
1	374565	(000000-012332 )	Replm. Kit, Rear Drive Housing	1	
1	374561	(012333- )	Housing, Rear Drive Support	1	
2	51339	(000000- )	Bearing-Cone, 1.38Bore 0.71Wth	2	
3	47801	(000000- )	Ftg, Grease.25-28Th Strt .63L	3	
4	51338AM	(000000- )	Bearing-Cup , 2.56Dia 0.55Wth	2	
5	54051	(000000- )	Washer, Thrust	1	
6	73281	(000000- )	Pin, Support, Wheel, Rear	1	
7	54052	(000000- )	Nut-Hex Slot 1.12-18	1	
8	72926	(000000- )	Scr-Soc M16X2.0 50 12.9Pltd	2	
▽	9	54087	(000000- )	Hub & Stud	1
▲	10	54086	(000000- )	Stud, Wheel .50-20X1.50 pLTD	5
11	58842	(000000- )	Plate - Hose Support	1	
12	74162	(000000-012147 )	Motor, Hyd Gear In 19.0 (See Breakdowns)	1	
12	22604	(012148- )	Motor, Hyd Gear In 19.0 (See Breakdowns)	1	
13	19583	(000000- )	Scr Soc .50-13X1.50	4	
14	42223	(000000- )	Ftg-Hyd Str Jm10/Om12	2	
15	55586	(000000- )	Ftg-Hyd Str Jm04/Om04	1	
▽	16	53601	(000000-014376 )	Cylinder, Hyd, 2.0b,15.0l, Rep.By1028492	1
▲	04483	(000000-014376 )	Seal Kit, Cyl, Hyd	1	
16	1028492	(014377- )	Cylinder, Hyd, 2.0b 15.0l 08.00strk 1500	1	
17	56820	(000000- )	Ftg-Hyd E90 Jm06/Om06	1	
18	47522	(000000- )	Ftg-Hyd E45 Jm06/Om06	1	
▽	19	84597	(000000- )	Tire & Wheel Assy	1
▲	20	84596	(000000- )	Tire, Solid, 18X6X12.125	1
21	82832	(000000- )	Sleeve, Nyl	2	
22	64886	(000000- )	Balljoint, Rod End	1	
23	64887	(000000- )	Balljoint, Rod End	1	
24	24339	(000000- )	Nut Wheel .50-20 60 Angle	5	
25	374563	(012333- )	Washer 2.156B 3.50 Od .156 Felt	1	
26	374560	(012333- )	Seal, Rear Drive Grease Cavity	1	
27	77345	(000000- )	Screw, Hex, .75-10 X 3.25, G5	2	
28	39350	(000000- )	Washer, Flat, 0.75, Sae	10	
29	32987	(000000- )	Nut, Hex, Lock, .75-10, NI	2	
30	43958	(000000- )	Nut, Hex, Std	2	

Fig. 64 - Wheels and Brakes Group, Front

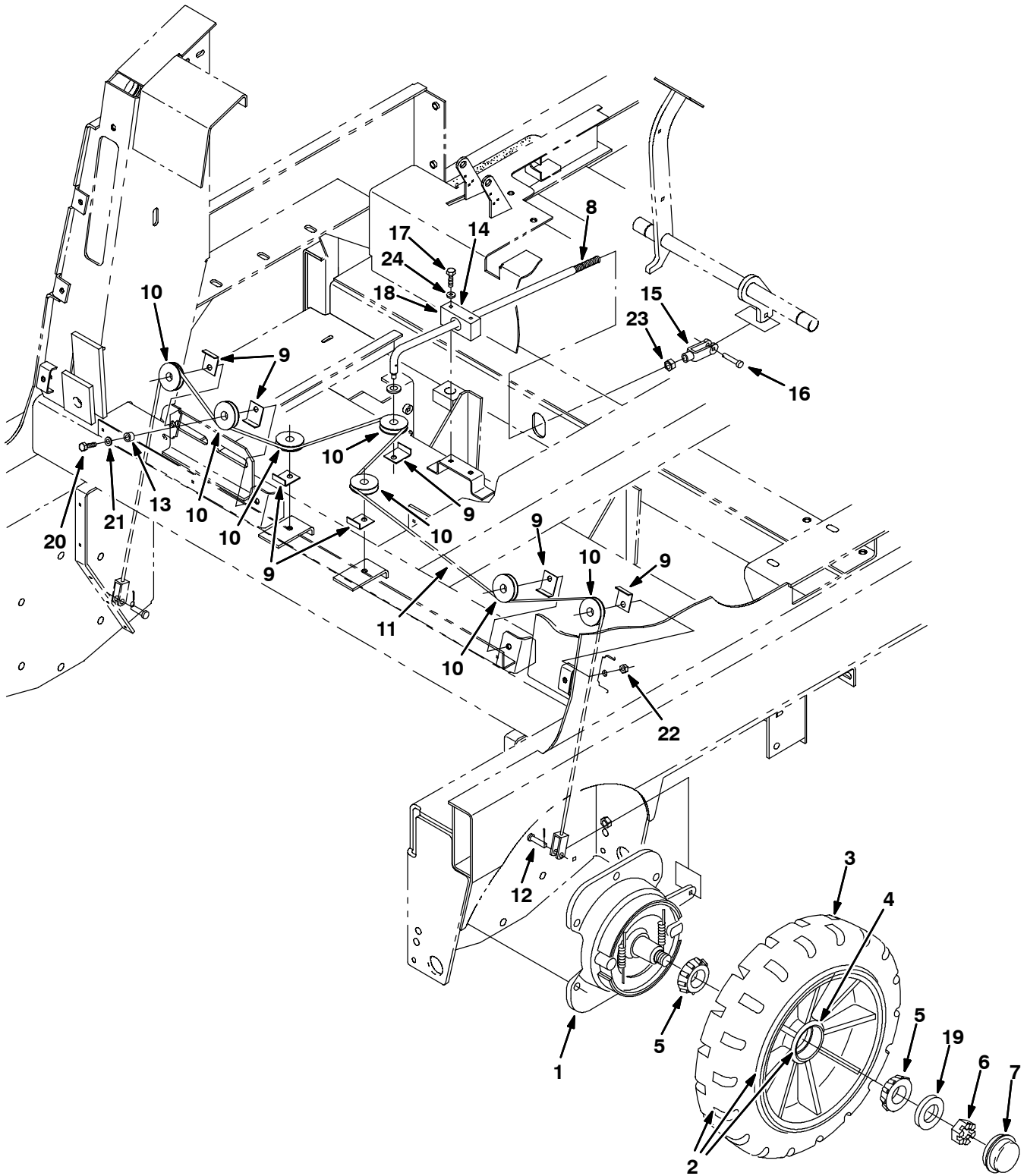


Fig. 64 - Wheels and Brakes Group, Front

Ref.	Part No.	Serial Number	Description	Qty.
▽	1	54577	(000000- ) Brake Assy, Drum, Mech, 07.9d [6600]]	2
▲		66211	(000000- ) Shoe Set, Brake [1 Set=1pkg=2 Shoes]	2
▲▽		66213	(000000- ) Brake Kit, Repair	1
▲▲		70161	(000000- ) Shaft	1
▲		70158	(000000- ) Spring	2
▽	2	54437	(000000- ) Tire Assy, Solid, 18.0x5.0 1.56b	2
▲	3	54567	(000000- ) Tire, Solid, 18.0 X 5.0 X 12.1 [No Rim]	1
▲	4	51338AM	(000000- ) Bearing, Cup, 2.56d 0.55w	2
	5	51339	(000000- ) Bearing, Cone, 1.38b 0.71w	4
	6	14242	(000000- ) Nut, Hex, Slted, 1.00-20	2
	7	54390	(000000- ) Cap, Hub, Dust 2.57d 0.77l	2
	8	72735	(000000- ) Rod	1
	9	54400	(000000- ) Bracket, Angle, Keeper, Cable	7
	10	369781	(000000- ) Pulley, Cable, 1.5d Nyl	7
	11	398208	(000000- ) Cable, Ss .19d 082.1l .4clevis /.4clevis	1
	12	09088	(000000- ) Pin, Clevis, 0.37d X 1.00l	2
	13	56624	(000000- ) Spacer Rep.By222460	6
	14	363215	(000000- ) Bearing, Pillowblock, 1.02b [Solid Pye]	1
	15	54467	(000000- ) Clevis, Adj, 0.38pin, M12x1.75	1
	16	86240	(000000- ) Pin, Clevis, 0.38d X 1.13l	1
	17	222504	(000000- ) Screw, Hex, M8 X 1.25 X 55, Ss	2
	18	32491	(000000- ) Washer, Flat, 0.31, Std	2
	19	32969	(000000- ) Washer, Flat, 1.00 Sae	2
	20	09023	(000000- ) Screw, Hex, M8 X 1.25 X 35, Ss, Fl	6
	21	39349	(000000- ) Washer, Flat, 0.31 Sae	6
	22	08713	(000000- ) Nut, Hex, Lock, M8 X 1.25, NI, Ss	2
	23	39313	(000000- ) Nut, Hex, Std, M12 X 1.75	1
	24	32490	(000000- ) Washer, Flat, 0.25 Std	2

Fig. 65 - Brake Pedals Group

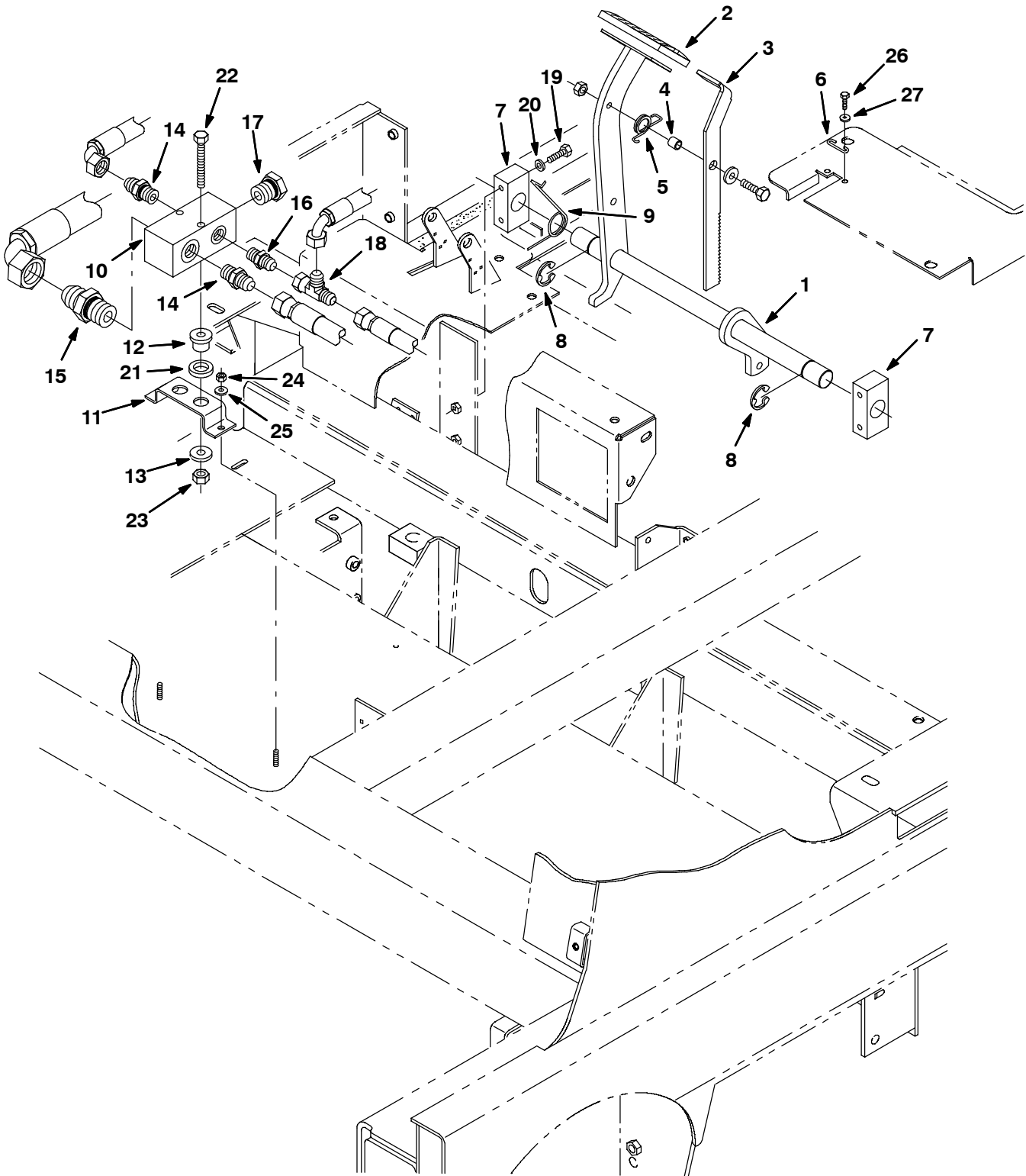


Fig. 65 - Brake Pedals Group

Ref.	Part No.	Serial Number	Description	Qty.
1	22727	(000000-	) Shaft Wldt, Brake	1
2	51109	(000000-	) Pad	1
3	22731	(000000-	) Pedal, Brake Lock	1
4	46563	(000000-	) Bshg,Sleeve,0.37Bx0.50Odx0.50L	1
5	59009	(000000-	) Spring, Tors 0.75D 1.00L .060W	1
6	97031	(000000-	) Spring, Parking Brake	1
7	363215	(000000-	) Bearing, Brake	2
8	23788	(000000-	) Ring,Retain,Ex,0.98Od,E-Ring	2
9	54607	(000000-	) Spring, Torsion	1
10	73108	(000000-	) Manifold, Hyd Collector	1
11	10740	(000000-	) Bracket, Support	1
12	54274	(000000-	) Isolator-Vibration,125Lb.Ratng	2
13	13248	(000000-	) Washer .400B 1.12D .12Cr Znc	2
14	44869	(000000-	) Ftg-Hyd Str Jm08/Om08	2
15	67310	(000000-	) Fitting-Hyd Str	1
16	55685	(000000-	) Ftg-Hyd Str Jm04/Om06	1
17	33817	(000000-	) Ftg-Hyd Plg Om12	1
18	57988	(000000-	) Ftg-Hyd Tee Jm04Jmjf	1
19	222504	(000000-	) Scr Hex Ssm M8X55	4
20	32491	(000000-	) Washer Flat .31	4
21	39350	(000000-	) Washer Flat .75	2
22	06958	(000000-	) Screw, Hex, M8 X 1.25 X 80, 8.8	2
23	08709	(000000-	) Nut, Hex, Lock, M8 X 1.25, NI	2
24	08708	(000000-	) Nut, Hex, Lock, M6 X 1.0, NI	2
25	19066	(000000-	) Washer, Flat, #10	2
26	09738	(000000-	) Screw, Hex, M5 X 0.8 X 12, Ss	2
27	01683	(000000-	) Washer, Flat, #10, Ss	2

Fig. 66 - Directional Control Group (000000-013227)

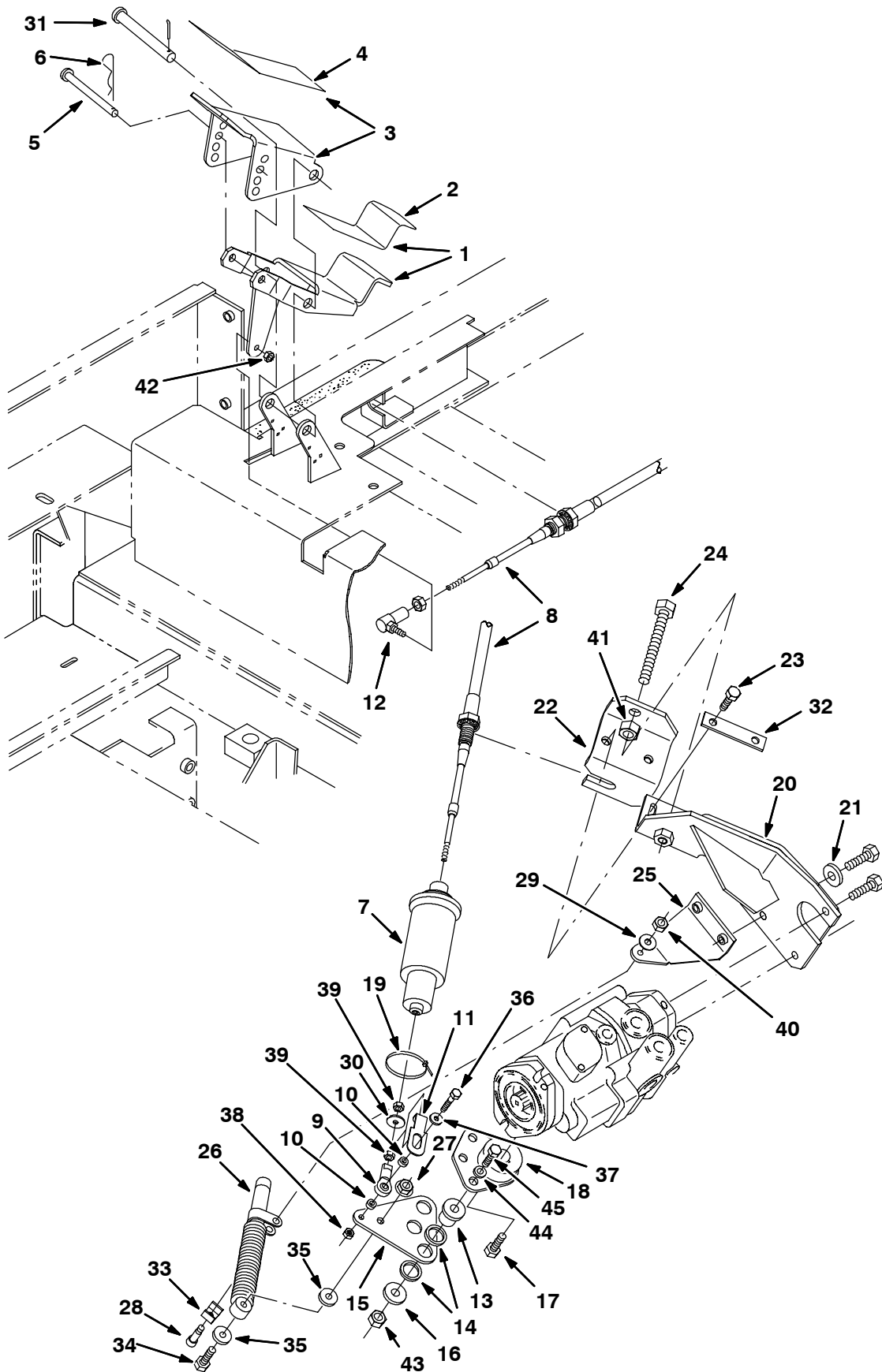


Fig. 66 - Directional Control Group (000000-013227)

Ref.	Part No.	Serial Number	Description	Qty.
▽	1	84102	(000000-013227 ) Pedal, Propel, Lower W/Tread	1
▲	2	82839	(000000-013227 ) Pad, Tread	1
▽	3	84103	(000000-013227 ) Pedal, Propel, Upper W/Tread	1
▲	4	82839	(000000-013227 ) Pad, Tread	1
	5	59672	(000000-013227 ) Pin, Clevis .31 Dia X 4.50 Lg	1
	6	97163	(000000-013227 ) Pin, Hair Cotter 13D 3 Wire	1
	7	63292	(000000-013227 ) Spring, Propel, Centering	1
	8	10539	(000000-013227 ) Replm Kit, Propel Cable	1
	9	68866	(000000-013227 ) Rod End .250-28 .25Dia	1
	10	65441	(000000-013227 ) Spacer, .259Id 375Od .250Lg	2
	11	83887	(000000-013227 ) Bracket, Safety Clip	1
	12	14601	(000000-013227 ) Ball Joint, 250-28	1
	13	54274	(000000-013227 ) Isolator-Vibration,125Lb.Ratng	3
	14	09832	(000000-013227 ) Washer, .812B 1.06D .06Cr.	6
	15	83894	(000000-013227 ) Arm, Propel, Lower 8410	1
	16	13248	(000000-013227 ) Washer .400B 1.12D .12Cr Znc	3
	17	83879	(000000-013227 ) Scr-Hex .31-24X0.75 Nylon Loc	1
	18	83892	(000000-013227 ) Arm Wldt, Propel 8410	1
	19	49266	(000000-013227 ) Tie, Cable 1.75D Max 7.50Lg	1
	20	83989	(000000-013227 ) Bracket, Wldt, Propel Adj.	1
	21	41187	(000000-013227 ) Washer-Belleville .3 Pltd	1
	22	83897	(000000-013227 ) Bracket, Propel Adj. Guide	1
	23	12333	(000000-013227 ) Scr-Hexssm 8X1.25 25 NylInloc	2
	24	84036	(000000-013227 ) Scr-Hex M12X1.75 110 Full Thd	1
	25	73423	(000000-013227 ) Bracket, Shock	1
	26	73411	(000000-013227 ) Shock Absorber	1
	27	08713	(000000-013227 ) Nut-Hxlocnyln M 8X1.25 Reg Ss	1
	28	16213	(000000-013227 ) Scr-Shld .312Dx1.00L .25-20	1
	29	01685	(000000-013227 ) Washer Flt .31 Ss	1
	30	78785	(000000-013227 ) Washer, .250b .88D .06Neopre	1
	31	59668	(000000-013227 ) Pin, Clevis .50 Dia X 4.50 Lg	1
	32	83703	(000000-013227 ) Strip, .12 .8w3 .3l2 .38dia 2.25ctr	1
	33	84170	(000000-013227 ) Bracket, Retainer	1
	34	09023	(000000-013227 ) Screw, Hex, M8 X 1.25 X 35, Ss, Fl	1
	35	01685	(000000-013227 ) Washer, Flat, 0.31 Ss	2
	36	25049	(000000-013227 ) Screw, Hex, .25-20 X 1.75, 5	1
	37	32483	(000000-013227 ) Washer, Flat, 0.25 Sae	1
	38	32981	(000000-013227 ) Nut, Hex, Lock, .25-20, NI	1
	39	01714	(000000-013227 ) Nut, Hex, Std, .25-28	2
	40	75934	(000000-013227 ) Nut, Hex, Lock, .25-20, NI	1
	41	08711	(000000-013227 ) Nut, Hex, Lock, M12 X 1.75,NI	1
	42	13513	(000000-013227 ) Nut, Hex, Lock, .25-28, NI	1
	43	41430	(000000-013227 ) Nut, Hex, Lock, M10 X 1.5, NI	3
	44	32492	(000000-013227 ) Washer, Flat, 0.38 Std	3
	45	39285	(000000-013227 ) Screw, Hex, M10 X 1.5 X 40, 8.8	3

**Fig. 67 - Directional Control Group (013228- )**

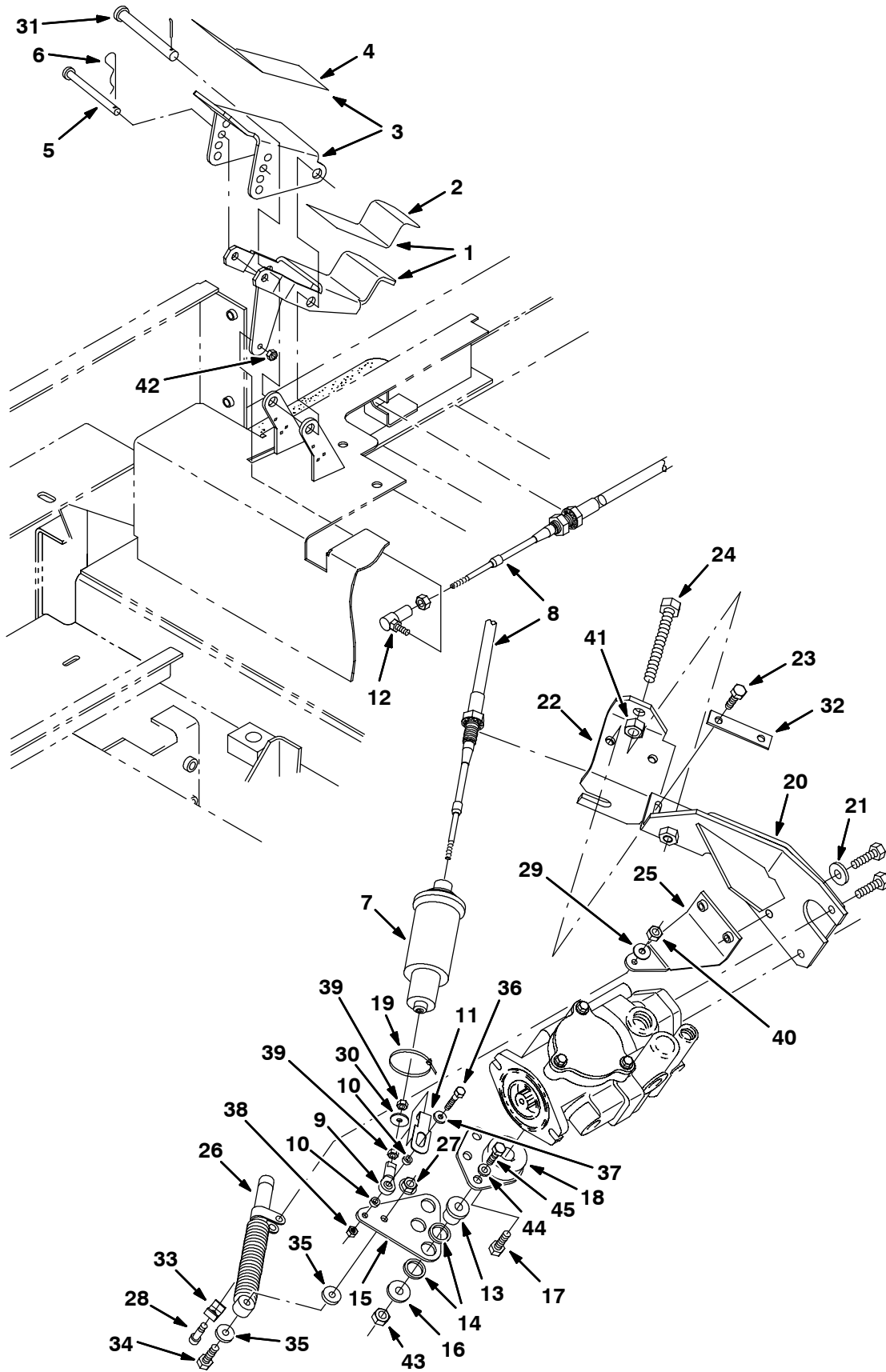




Fig. 67 - Directional Control Group (013228- )

Ref.	Part No.	Serial Number	Description	Qty.
▽	1	84102	(013228- ) Pedal, Propel, Lower W/Tread	1
▲	2	82839	(013228- ) Pad, Tread	1
▽	3	84103	(013228- ) Pedal, Propel, Upper W/Tread	1
▲	4	82839	(013228- ) Pad, Tread	1
	5	59672	(013228- ) Pin, Clevis .31 Dia X 4.50 Lg	1
	6	97163	(013228- ) Pin, Hair Cotter 13D 3 Wire	1
	7	63292	(013228- ) Spring, Propel, Centering	1
	8	10539	(013228- ) Replm Kit, Propel Cable	1
	9	68866	(013228- ) Rod End .250-28 .25Dia	1
	10	65441	(013228- ) Spacer, .259Id 375Od .250Lg	2
	11	83887	(013228- ) Bracket, Safety Clip	1
	12	14601	(013228- ) Ball Joint, 250-28	1
	13	54274	(013228- ) Isolator-Vibration,125Lb.Ratng	3
	14	09832	(013228- ) Washer, .812B 1.06D .06Cr.	6
	15	83894	(013228- ) Arm, Propel, Lower 8410	1
	16	13248	(013228- ) Washer .400B 1.12D .12Cr Znc	3
	17	83879	(013228- ) Scr-Hex .31-24X0.75 Nylon Loc	1
	18	83892	(013228- ) Arm Wldt, Propel 8410	1
	19	49266	(013228- ) Tie, Cable 1.75D Max 7.50Lg	1
	20	83989	(013228- ) Bracket, Wldt, Propel Adj.	1
	21	41187	(013228- ) Washer-Belleville .3 Pltd	1
	22	83897	(013228- ) Bracket, Propel Adj. Guide	1
	23	12333	(013228- ) Scr-Hexssm 8X1.25 25 NylInloc	2
	24	84036	(013228- ) Scr-Hex M12X1.75 110 Full Thd	1
	25	392600	(013228- ) Bracket, Shock	1
	26	73411	(013228- ) Shock Absorber	1
	27	08713	(013228- ) Nut-Hxlocnyln M 8X1.25 Reg Ss	1
	28	16213	(013228- ) Scr-Shld .312Dx1.00L .25-20	1
	29	01685	(013228- ) Washer Flt .31 Ss	1
	30	78785	(013228- ) Washer, .250b .88D .06Neopre	1
	31	59668	(013228- ) Pin, Clevis .50 Dia X 4.50 Lg	1
	32	83703	(013228- ) Strip, .12 .8w3 .3l2 .38dia 2.25ctr	1
	33	84170	(013228- ) Bracket, Retainer	1
	34	09023	(013228- ) Screw, Hex, M8 X 1.25 X 35, Ss, Fl	1
	35	01685	(013228- ) Washer, Flat, 0.31 Ss	2
	36	25049	(013228- ) Screw, Hex, .25-20 X 1.75, 5	1
	37	32483	(013228- ) Washer, Flat, 0.25 Sae	1
	38	32981	(013228- ) Nut, Hex, Lock, .25-20, NI	1
	39	01714	(013228- ) Nut, Hex, Std, .25-28	2
	40	75934	(013228- ) Nut, Hex, Lock, .25-20, NI	1
	41	08711	(013228- ) Nut, Hex, Lock, M12 X 1.75,NI	1
	42	13513	(013228- ) Nut, Hex, Lock, .25-28, NI	1
	43	41430	(013228- ) Nut, Hex, Lock, M10 X 1.5, NI	3
	44	32492	(013228- ) Washer, Flat, 0.38 Std	3
	45	39285	(013228- ) Screw, Hex, M10 X 1.5 X 40, 8.8	3

Fig. 68 - Hydraulic Pumps Group (00000-013227)

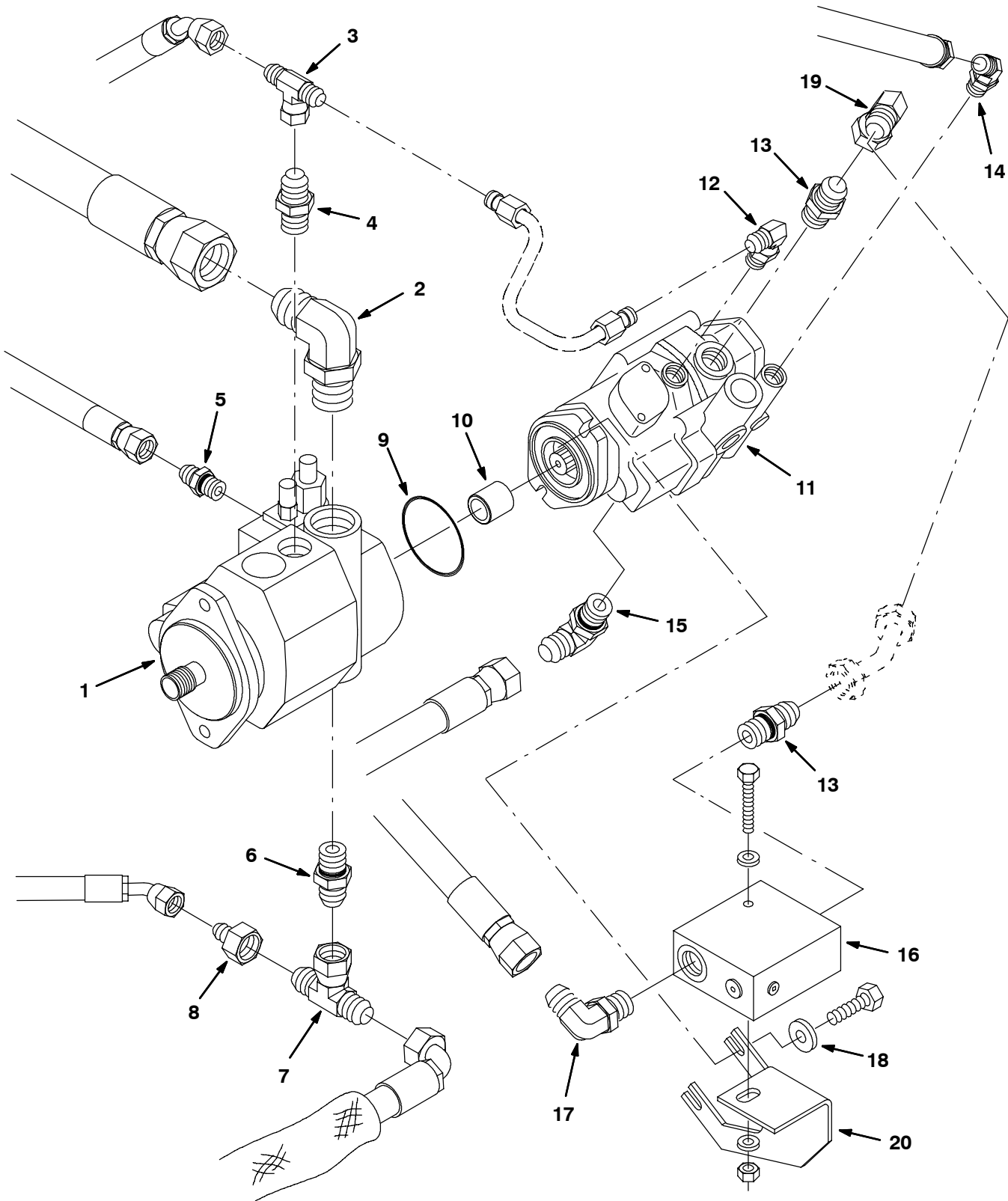


Fig. 68 - Hydraulic Pumps Group (000000-013227)

Ref.	Part No.	Serial Number	Description	Qty.
1	73101	(000000-013227 )	Pump, Hyd Piston L 2.77 R 2500 (See Breakdowns)	1
2	73109	(000000-013227 )	Fitting-Hyd	1
3	76315	(000000-013227 )	Ftg-Hyd Tee Jm08Jfjm	1
4	56835	(000000-013227 )	Ftg-Hyd Str Jm08/Om06	1
5	50960	(000000-013227 )	Ftg-Hyd Str Jm06/Om04	1
6	67310	(000000-013227 )	Fitting-Hyd Str	1
7	62389	(000000-013227 )	Ftg-Hyd Tee Jm12Jfjm	1
8	78143	(000000-013227 )	Ftg-Hyd Str Jm08/Jf12	1
9	65145-1	(000000-013227 )	O-Ring Gland	1
10	73111	(000000-013227 )	Coupler	1
11	79770	(000000-013227 )	Pump, Hyd Piston V 1.24 R 4000 (See Breakdowns)	1
12	42213	(000000-013227 )	Ftg-Hyd E90 Jm08/Om06	1
13	42223	(000000-013227 )	Ftg-Hyd Str Jm10/Om12	2
14	42226	(000000-013227 )	Ftg-Hyd E45 Jm08/Om08	1
15	53076	(000000-013227 )	Ftg-Hyd E90 Jm10/Om12	1
16	73430	(000000-013227 )	Switch, Hyd Flow Sensor (See Breakdowns)	1
17	53076	(000000-013227 )	Ftg-Hyd E90 Jm10/Om12	1
18	41187	(000000-013227 )	Washer-Bellville .38 Pltd	2
19	54194	(000000-013227 )	Ftg-Hyd E90 Jm10/Jf10	1
20	77239	(000000-013227 )	Bracket, Mounting, Flow Switch	1

**Fig. 69 - Hydraulic Pumps Group (013228-**

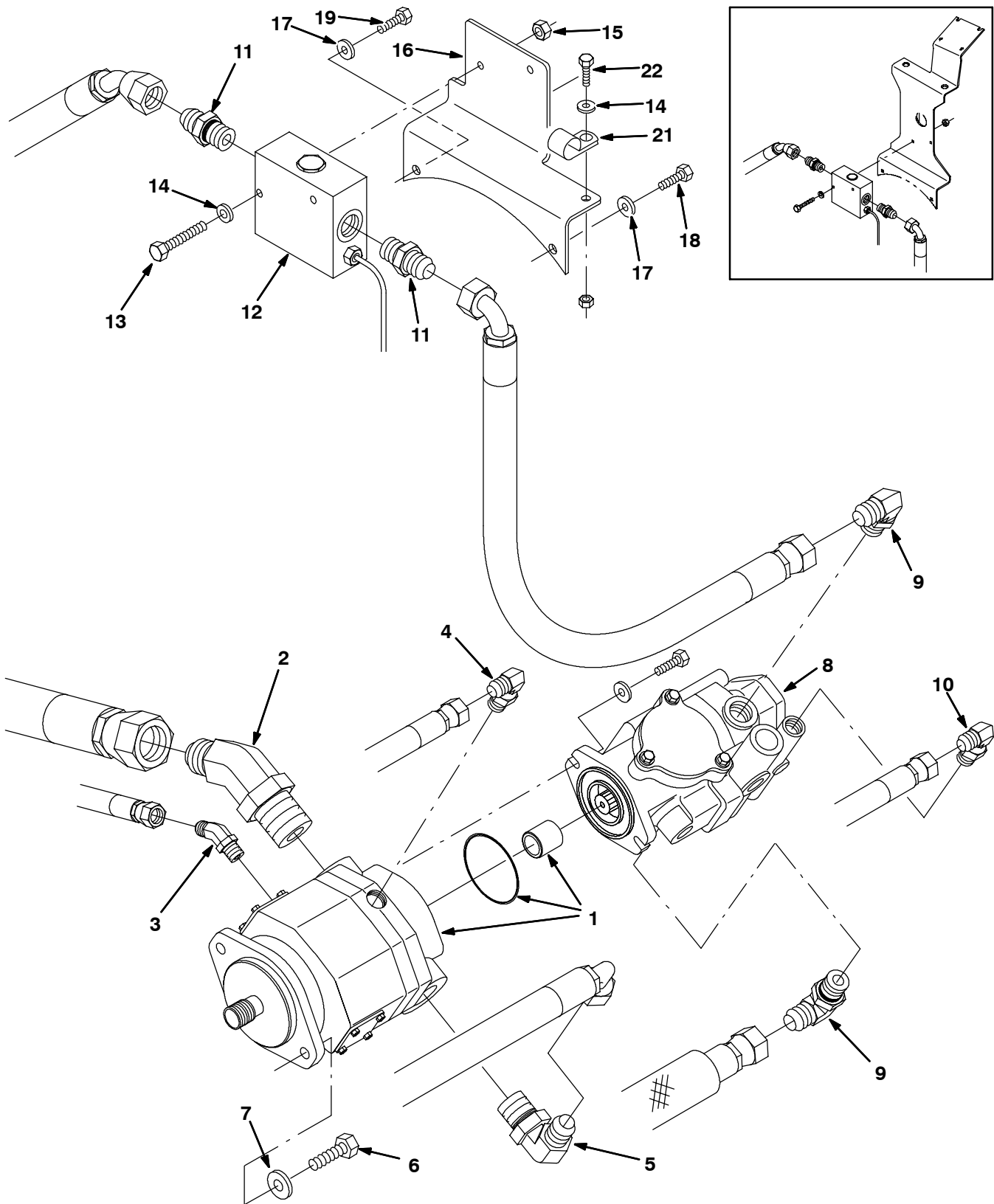


Fig. 69 - Hydraulic Pumps Group (013228- )

Ref.	Part No.	Serial Number	Description	Qty.
1	373486	(013228-	) Pump, Hyd, Piston [L] 2.75 [R] 2500 (See Breakdown)	1
2	392604	(013228-	) Fitting, Hyd, E45, Jm20 /Om24	1
3	392609	(013228-	) Fitting, Hyd, E45, Jm06 /Om04	1
4	56821	(013228-	) Fitting, Hyd, E90, Jm08/Om10	1
5	52911	(013228-	) Fitting, Hyd, E90, Jm12/Om16	1
6	39810	(013228-	) Screw, Hex, .50-13 X 1.25, 5	2
7	32486	(013228-	) Washer, Flat, .50 Sae	2
8	373485	(013228-	) Pump, Hyd, Piston [V] 1.24 [R] 4000 (See Breakdown)	1
9	53076	(013228-	) Fitting, Hyd, E90, Jm10/Om12	2
10	44868	(013228-	) Fitting, Hyd, E90, Jm08/Om08	1
11	42223	(013228-	) Fitting, Hyd, Str, Jm10/Om12	2
12	73430	(013228-	) Switch	1
13	39279	(013228-	) Screw, Hex, M08 X 1.25 X 70, 8.8	2
14	32491	(013228-	) Washer, Flat, .31 Std	2
15	08709	(013228-	) Nut, Hex, Lock, M08 X 1.25,NI	2
16	1013699	(014000-	) Bracket, Mtg, Hyd Valve	1
17	32492	(014000-	) Washer, Flat, 0.38 Std	2
18	27989	(014000-	) Screw, Hex, .38-16 X 1.75, 5	1
19	21198	(014000-	) Screw, Hex, .38-16 X 1.25, 5	1
20	1015036	(014000-	) Hose, Sleeve, Fire	1
21	58366	(014000-	) Clamp, Cable, Stl, 1.25d X 1.00w, 1h	1
22	16931	(014000-	) Screw, Hex, M8 X 1.25 X 20, 8.8	1
23	21198	(014000-	) Screw, Hex, .38-16 X 1.25, 5	2
24	32485	(014000-	) Washer, Flat, 0.38 Sae	2

Fig. 70 - Hydraulic Schematic

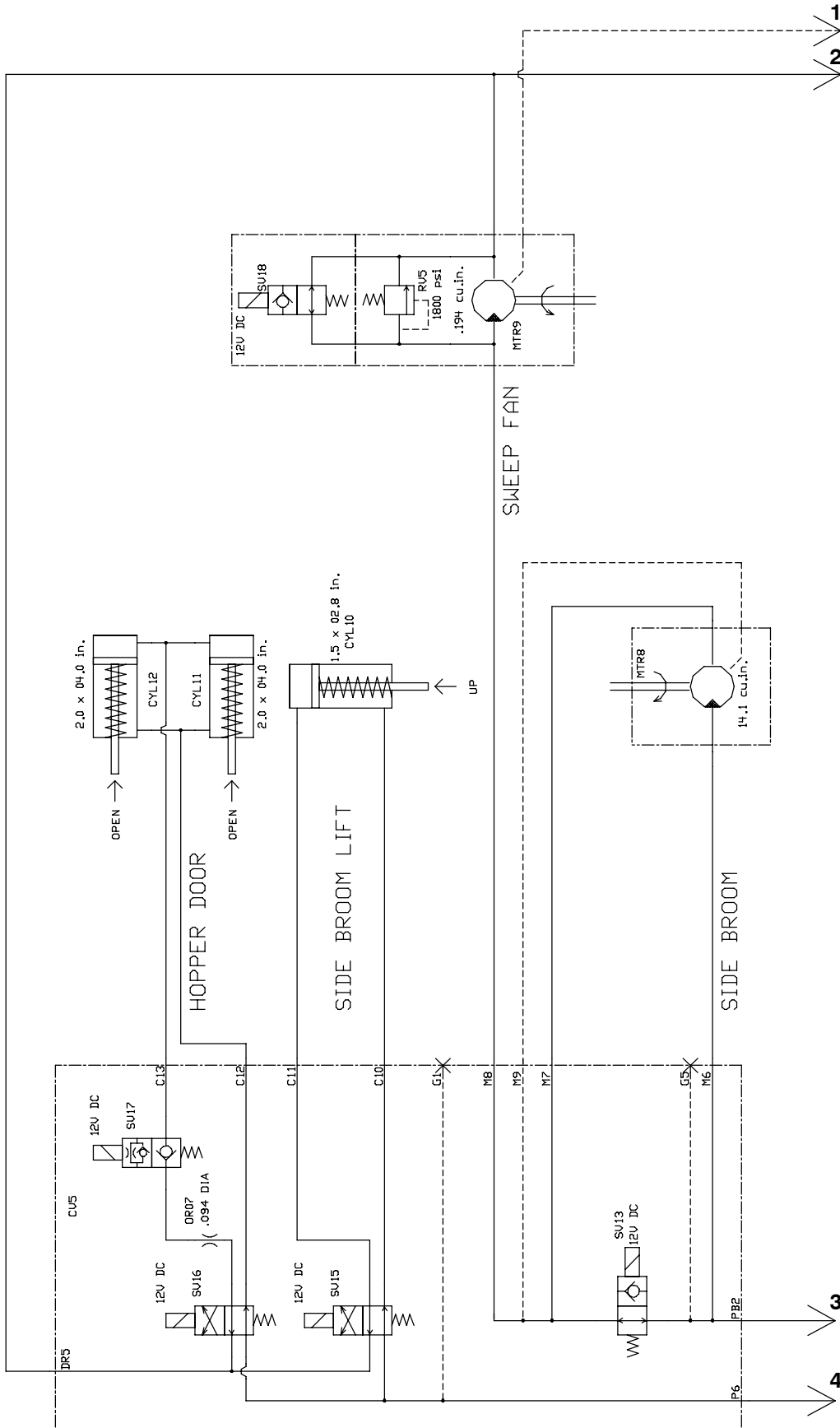


Fig. 70 - Hydraulic Schematic

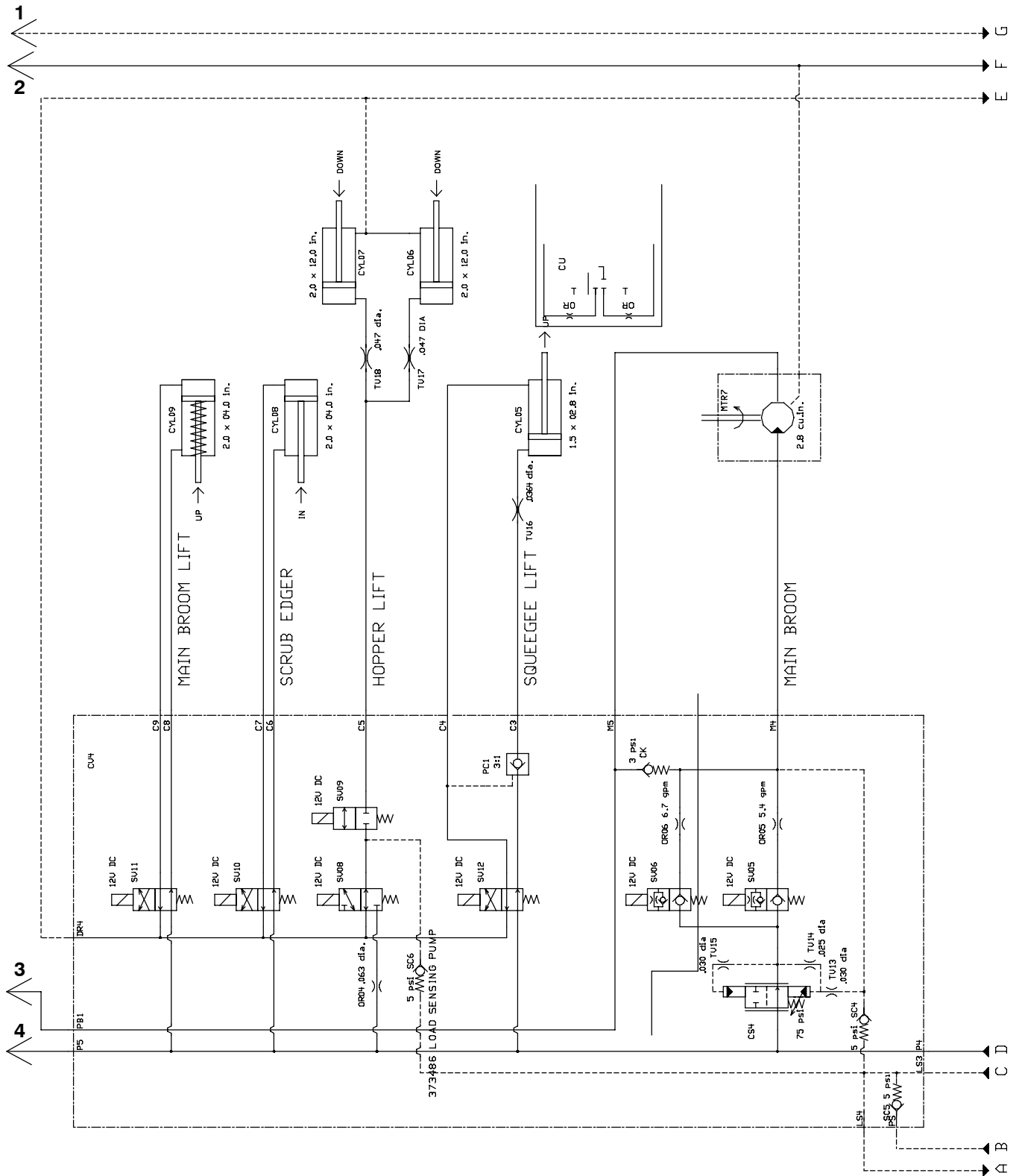


Fig. 70 - Hydraulic Schematic

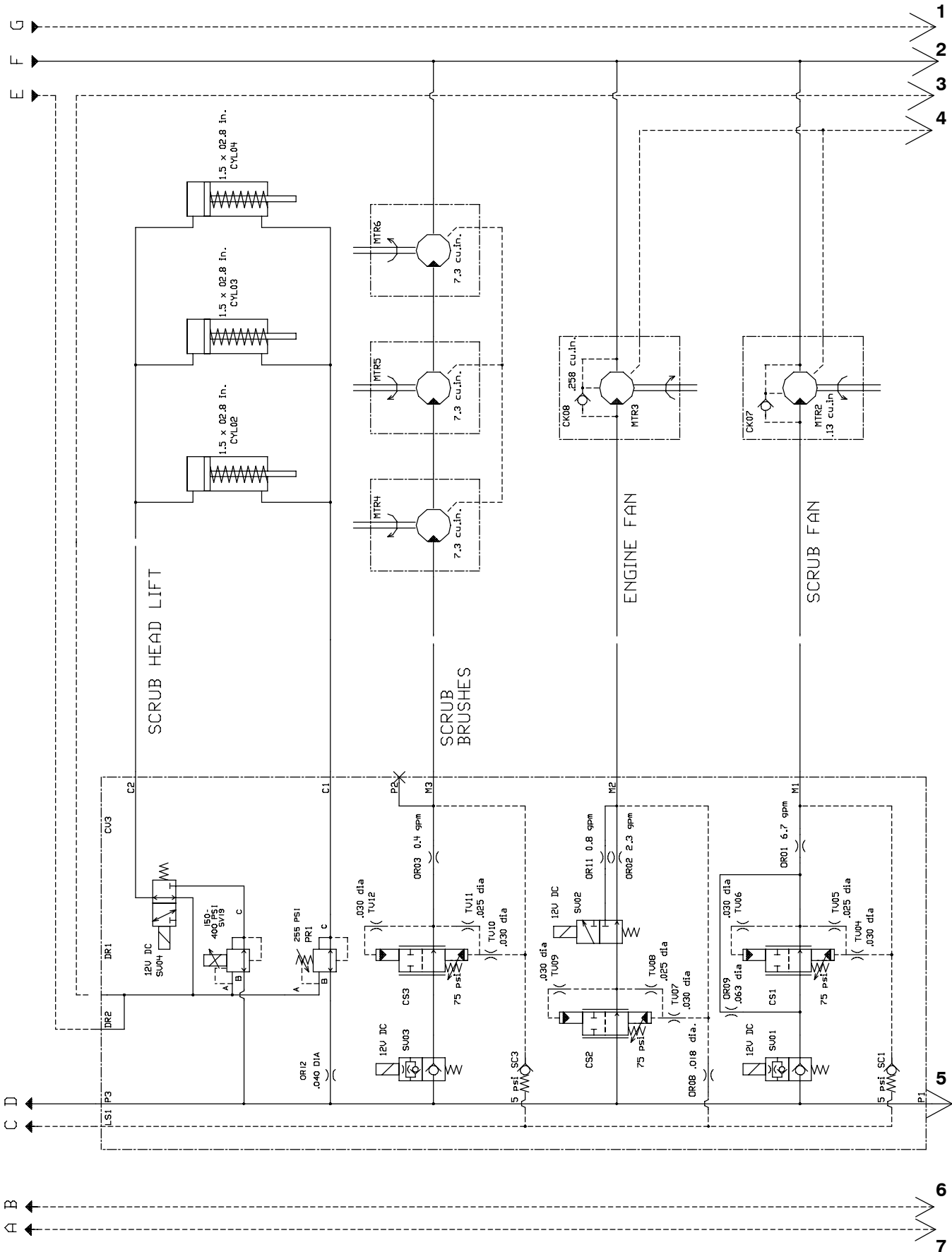




Fig. 70 - Hydraulic Schematic

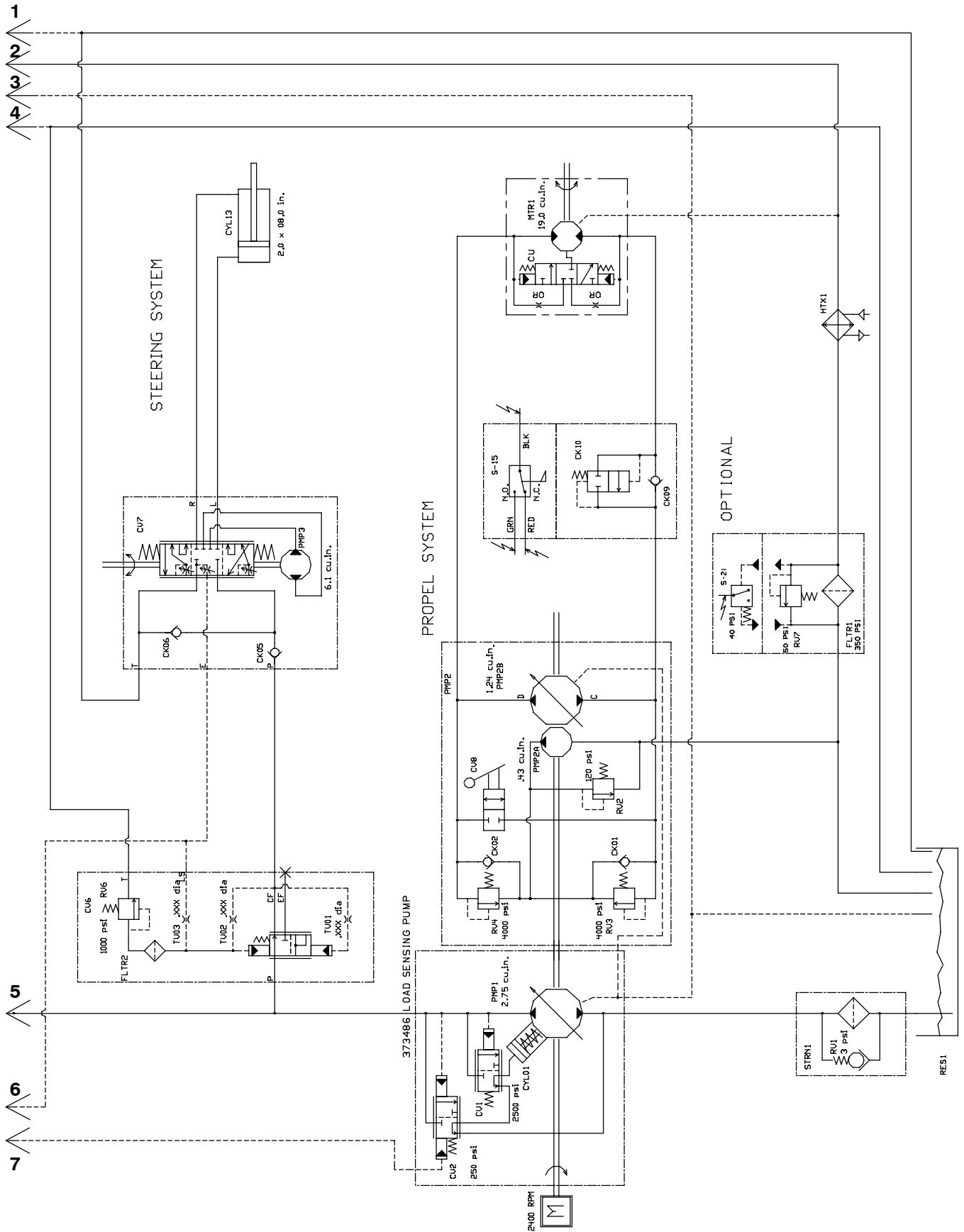


Fig. 71 - Hydraulic Hose Group (000000-013227)

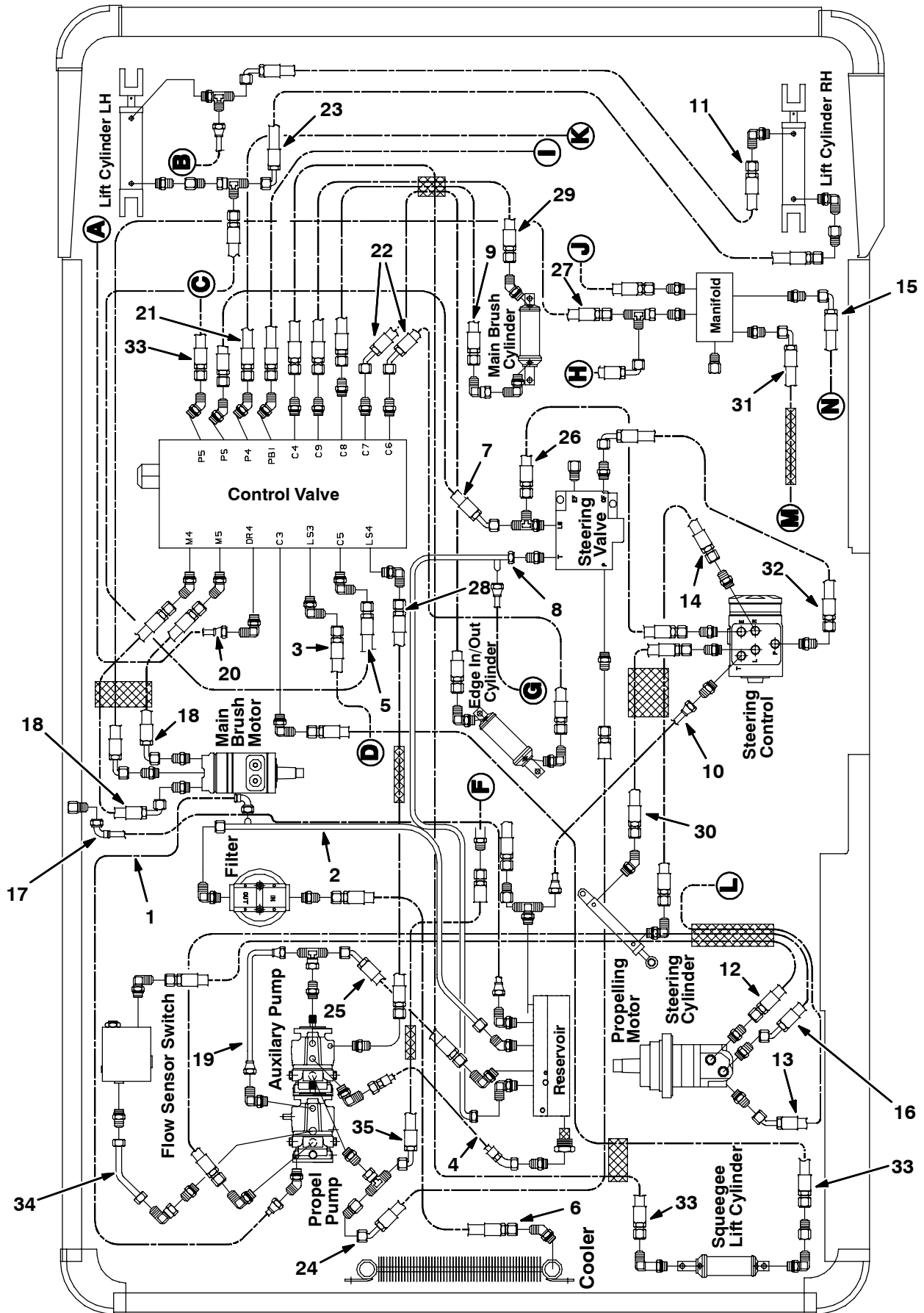


Fig. 71 - Hydraulic Hose Group (000000-013227)

Ref.	Part No.	Serial Number	Description	Qty.
1	78811	(000000-012574 )	Hose, Hyd	1
1	57971	(012575-013227 )	Hose, Hyd	1
2	77316	(000000-012574 )	Hose, Hyd	1
2	84147	(012575-013227 )	Tube, Hyd 16 Jf16/Jf16	1
3	77307	(000000-013227 )	Hose, Hyd	1
4	77312	(000000-013227 )	Hose, Hyd	1
5	77308	(000000-013227 )	Hose, Hyd	1
6	78777	(000000-013227 )	Hose, Hyd	1
7	77305	(000000-013227 )	Hose, Hyd	1
8	77309	(000000-012512 )	Hose, Hyd	1
8	84145	(012513-013227 )	Tube, Hyd 06 Jf06/Jf06	1
9	77306	(000000-013227 )	Hose, Hyd	1
10	76762	(000000-013227 )	Hose, Hyd	1
11	77303	(000000-013227 )	Hose, Hyd	1
12	77314	(000000-013227 )	Hose, Hyd	1
13	19644	(000000-013227 )	Hose, Hyd	1
14	77304	(000000-013227 )	Hose, Hyd	1
15	78776	(000000-013227 )	Hose, Hyd	1
16	77315	(000000-013227 )	Hose, Hyd	1
17	71557	(000000-013227 )	Hose, Hyd	1
18	34355	(000000-013227 )	Hose, Hyd	2
19	13115	(000000-012512 )	Hose, Hyd	1
19	84146	(012513-013227 )	Tube, Hyd 08 Jf08/Jf08	1
20	31602	(000000-013227 )	Hose, Hyd	1
21	82844	(000000-013227 )	Hose, Hyd	1
22	02361	(000000-013227 )	Hose, Hyd	2
23	87681	(000000-013227 )	Hose, Hyd	1
24	16462	(000000-013227 )	Hose, Hyd	1
25	77338	(000000-013227 )	Hose, Hyd	1
26	55700	(000000-013227 )	Hose, Hyd	1
27	82817	(000000-013227 )	Hose, Hyd	1
28	84122	(000000-013227 )	Hose, Hyd	1
29	31568	(000000-013227 )	Hose, Hyd	1
30	62100	(000000-013227 )	Hose, Hyd	1
31	02676	(000000-013227 )	Hose, Hyd	1
32	57944	(000000-013227 )	Hose, Hyd	1
33	01988	(000000-013227 )	Hose, Hyd	3
34	73107	(000000-013227 )	Tube, Hyd 10	1
35	57949	(012513-013227 )	Hose, Hyd, Hi 12, Jf Str/E90	1

**Fig. 72 - Hydraulic Hose Group (000000-013227)**

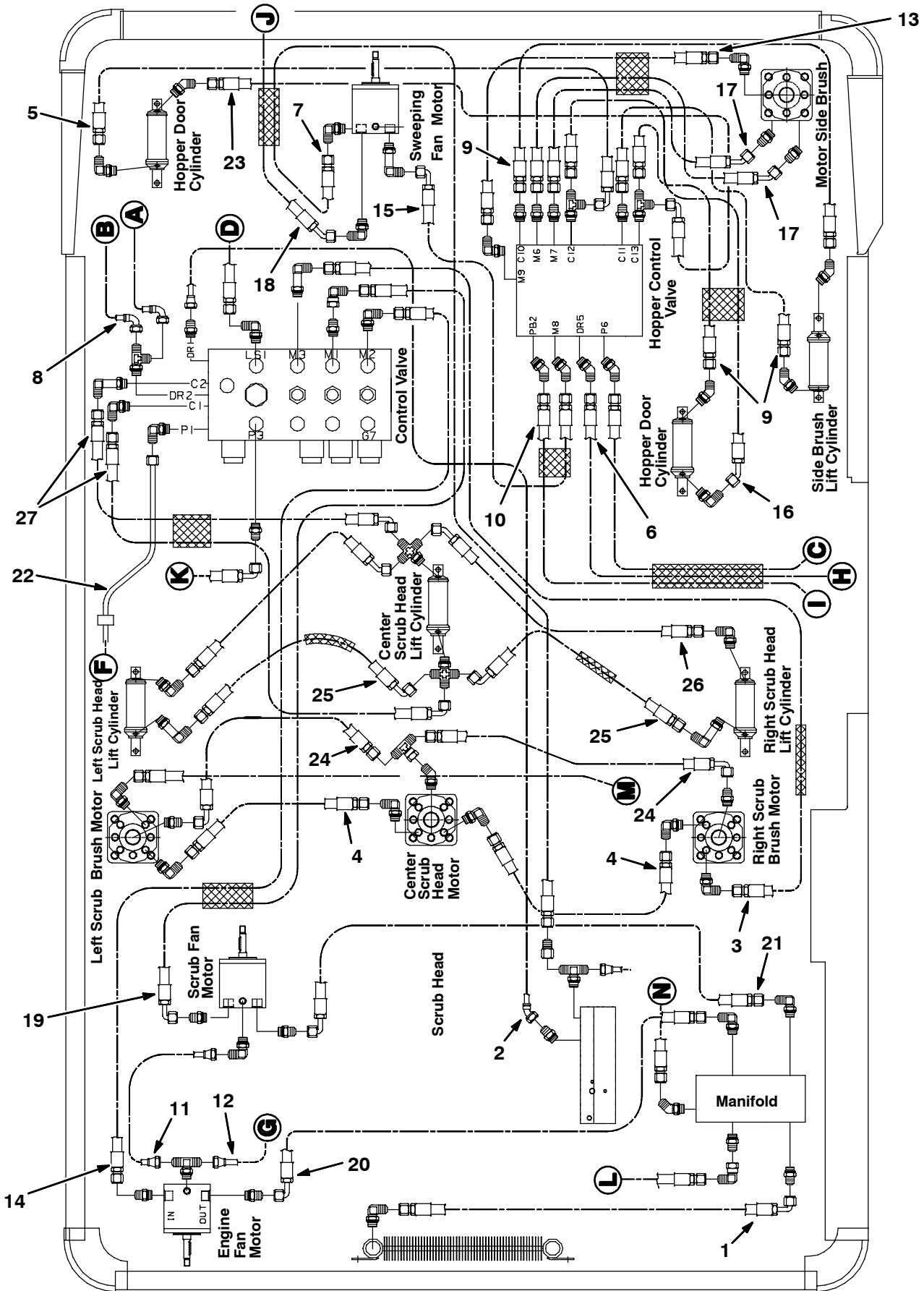


Fig. 72 - Hydraulic Hose Group (000000-013227)

Ref.	Part No.	Serial Number	Description	Qty.
1	78780	(000000-013227 )	Hose-Hyd Med16 Jf/J9	1
2	77311	(000000-013227 )	Hose-Hyd Low06	1
3	65224	(000000-013227 )	Hose-Hyd Med08	1
4	77302	(000000-013227 )	Hose-Hyd Med08	2
5	77359	(000000-013227 )	Hose-Hyd Med04 Jf/J9	1
6	87652	(000000-013227 )	Hose-Hyd Med 04 Jf/J9	1
7	57966	(000000-013227 )	Hose-Hyd Med04 Jf/Jf	1
8	31602	(000000-013227 )	Hose-Hyd Low04 Jf/J9	1
9	82814	(000000-013227 )	Hose-Hyd Med04 Jf/Jf	3
10	57160	(000000-013227 )	Hose-Hyd Med08 Jf/Jf	1
11	16465	(000000-013227 )	Hose-Hyd Low04 Jf/Jf	1
12	78779	(000000-013227 )	Hose-Hyd Low04 Jf/Jf	1
13	31568	(000000-013227 )	Hose-Hyd Med04 Jf/Jf	1
14	77337	(000000-013227 )	Hose-Hyd Med 06	1
15	78820	(000000-013227 )	Hose-Hyd Med08 Jf/J9	1
16	57173	(000000-013227 )	Hose-Hyd Med04 Jf/J4	1
17	57219	(000000-013227 )	Hose-Hyd Med08 Jf/J4	2
18	78821	(000000-013227 )	Hose-Hyd Med08 Jf/J4	1
19	78810	(000000-013227 )	Hose, Hyd Med08	1
20	78781	(000000-013227 )	Hose-Hyd Med06 Jf/J9	1
21	78775	(000000-013227 )	Hose-Hyd Med08 Jf/J9	1
22	82826	(000000-012512 )	Hose-Hyd Hi 12 Jf/J9	1
22	84148	(012513-013227 )	Tube, Hyd 12 Jf12/Jm12	1
23	59579	(000000-013227 )	Hose-Hyd Med04	1
24	87651	(000000-013227 )	Hose-Hyd Med04 Jf/J9	2
25	48617	(000000-013227 )	Hose-Hyd Med04 Jf/J9	2
26	57972	(000000-013227 )	Hose-Hyd Med04	2
27	57963	(000000-013227 )	Hose-Hyd Med04	2

Fig. 73 - Hydraulic Hose Group (013228- )

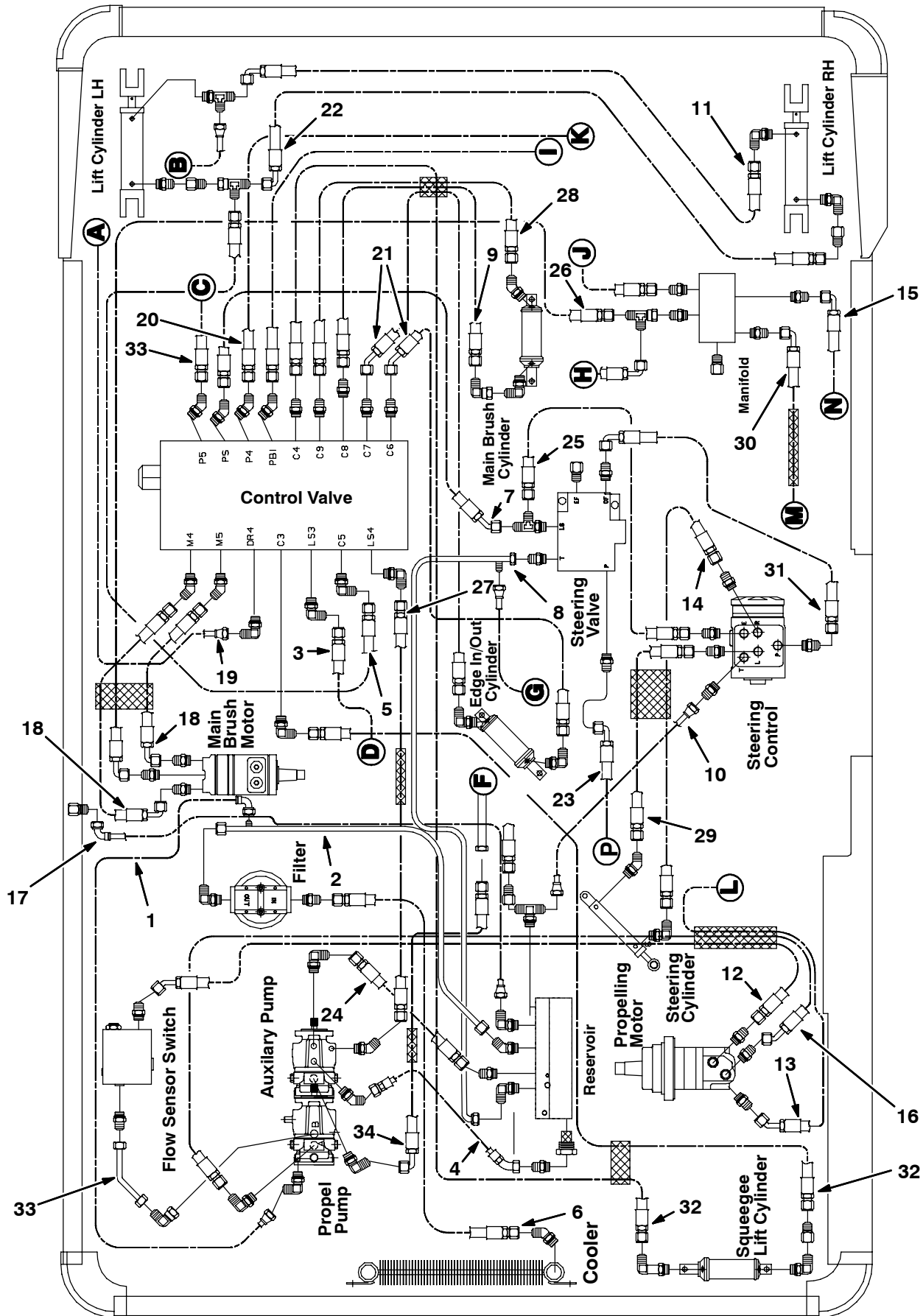


Fig. 73 - Hydraulic Hose Group (013228- )

Ref.	Part No.	Serial Number	Description	Qty.
1	78811	(013228-013999 )	Hose, Hyd	1
1	1014446	(014000- )	Hose, Hyd,Tc 08, Jf08str /Jf08e90 , 19.0	1
2	84147	(013228- )	Tube, Hyd 16 Jf16/Jf16	1
3	77307	(013228- )	Hose, Hyd	1
4	392646	(013228- )	Hose, Hyd	1
5	31568	(013228- )	Hose, Hyd	1
6	78777	(013228- )	Hose, Hyd	1
7	77305	(013228- )	Hose, Hyd	1
8	1031967	(013228- )	Tube, Hyd, Tank [8410] (Gas only)	1
8	31722	(015000- )	Hose, Hyd, Low04, Jf04str/Jf04str, 015.0 (LPG only)	1
9	77306	(013228- )	Hose, Hyd	1
10	76762	(013228- )	Hose, Hyd	1
11	77303	(013228- )	Hose, Hyd	1
12	71743	(013228- )	Hose, Hyd	1
13	19644	(013228- )	Hose, Hyd	1
14	77304	(013228- )	Hose, Hyd	1
15	78776	(013228- )	Hose, Hyd	1
16	77315	(013228- )	Hose, Hyd	1
17	71557	(013228- )	Hose, Hyd	1
18	34355	(013228- )	Hose, Hyd	2
19	31602	(013228- )	Hose, Hyd	1
20	82844	(013228- )	Hose, Hyd	1
21	02361	(013228- )	Hose, Hyd	2
22	87681	(013228- )	Hose, Hyd	1
23	55697	(013228- )	Hose, Hyd	1
24	392608	(013228- )	Hose, Hyd	1
25	55700	(013228- )	Hose, Hyd	1
26	82817	(013228- )	Hose, Hyd	1
27	361046	(013228- )	Hose, Hyd	1
28	31568	(013228- )	Hose, Hyd	1
29	62100	(013228- )	Hose, Hyd	1
30	02676	(013228- )	Hose, Hyd	1
31	57944	(013228- )	Hose, Hyd	1
32	01988	(013228- )	Hose, Hyd	3
33	392607	(013228- )	Jose, Hyd	1
34	57949	(013228- )	Hose, Hyd, Hi 12, Jf Str/E90	1

**Fig. 74 - Hydraulic Hose Group (013228- )**

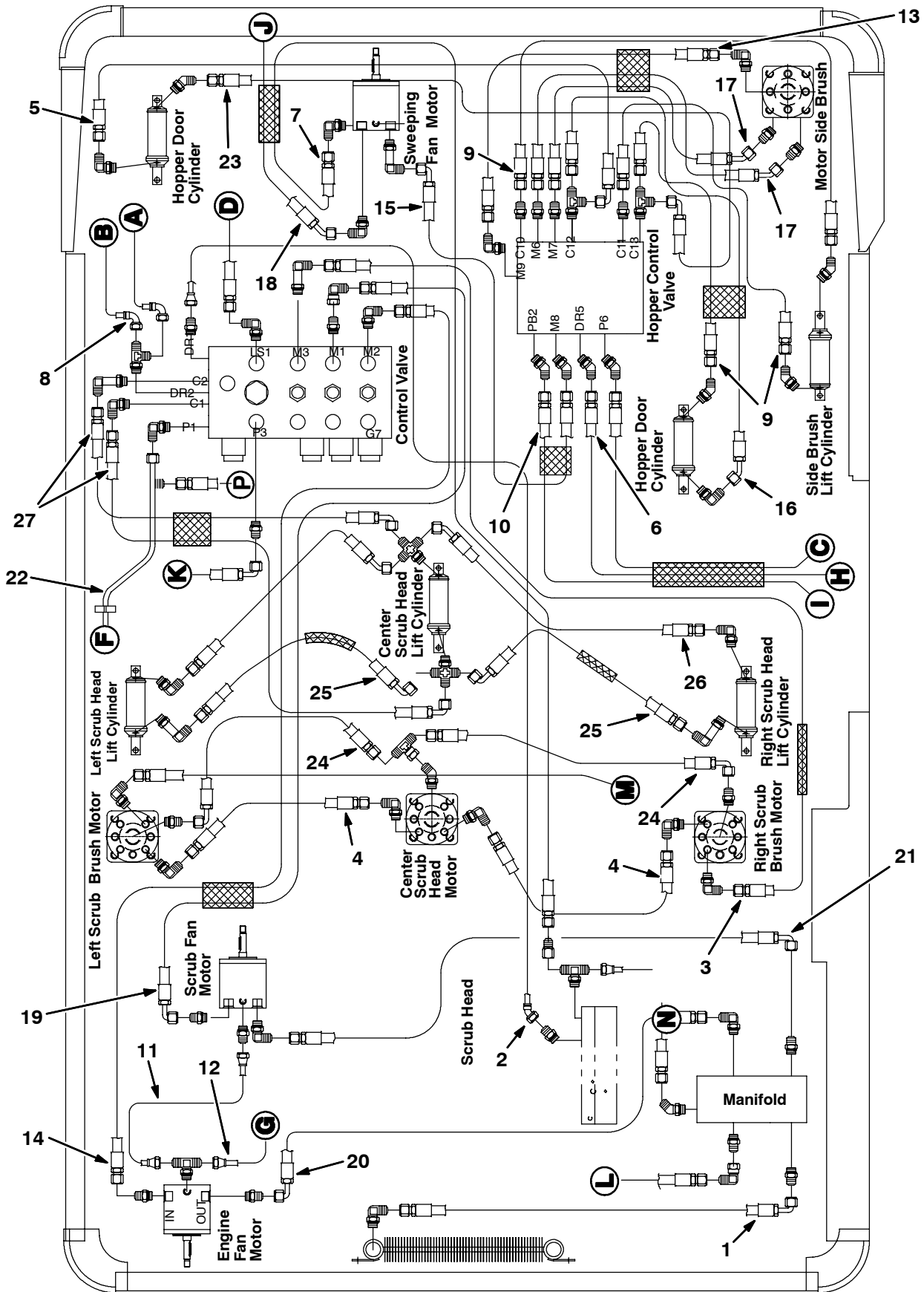




Fig. 74 - Hydraulic Hose Group (013228- )

Ref.	Part No.	Serial Number	Description	Qty.
1	78780	(013228-	) Hose-Hyd Med16 Jf/J9	1
2	77311	(013228-	) Hose-Hyd Low06	1
3	65224	(013228-	) Hose-Hyd Med08	1
4	77302	(013228-	) Hose-Hyd Med08	2
5	77359	(013228-	) Hose-Hyd Med04 Jf/J9	1
6	87652	(013228-	) Hose-Hyd Med 04 Jf/J9	1
7	57966	(013228-	) Hose-Hyd Med04 Jf/Jf	1
8	31602	(013228-	) Hose-Hyd Low04 Jf/J9	1
9	82814	(013228-	) Hose-Hyd Med04 Jf/Jf	3
10	57160	(013228-	) Hose-Hyd Med08 Jf/Jf	1
11	16465	(013228-013999	) Hose-Hyd Low04 Jf/Jf	1
11	02205	(014000-	) Hose, Hyd,Low04, Jf04str /Jf04e90 , 32.0	1
12	78779	(013228-	) Hose-Hyd Low04 Jf/Jf (Gas only)	1
12	1033423	(015000-	) Hose, Hyd, Low04, Jf04str/Jf04str, 028.0 (LPG only)	1
13	31568	(013228-	) Hose-Hyd Med04 Jf/Jf	1
14	77337	(013228-	) Hose-Hyd Med 06	1
15	78820	(013228-	) Hose-Hyd Med08 Jf/J9	1
16	57173	(013228-	) Hose-Hyd Med04 Jf/J4	1
17	57219	(013228-	) Hose-Hyd Med08 Jf/J4	2
18	78821	(013228-	) Hose-Hyd Med08 Jf/J4	1
19	78810	(013228-013999	) Hose, Hyd Med08	1
19	57487	(014000-	) Hose, Hyd,Med08, Jf08str /Jf08e90 , 68.0	1
20	78781	(013228-	) Hose-Hyd Med06 Jf/J9	1
21	78775	(013228-013999	) Hose-Hyd Med08 Jf/J9	1
21	396278	(014000-	) Hose, Hyd,Tc 08, Jf08str /Jf08e90 , 20.0	1
22	392580	(013228-	) Tube, Hyd 12 Jf12/Jm12	1
23	59579	(013228-	) Hose-Hyd Med04	1
24	87651	(013228-	) Hose-Hyd Med04 Jf/J9	2
25	48617	(013228-	) Hose-Hyd Med04 Jf/J9	2
26	57972	(013228-	) Hose-Hyd Med04	2
27	57963	(013228-	) Hose-Hyd Med04	2

Fig. 75 - Hydraulic Reservoir Group

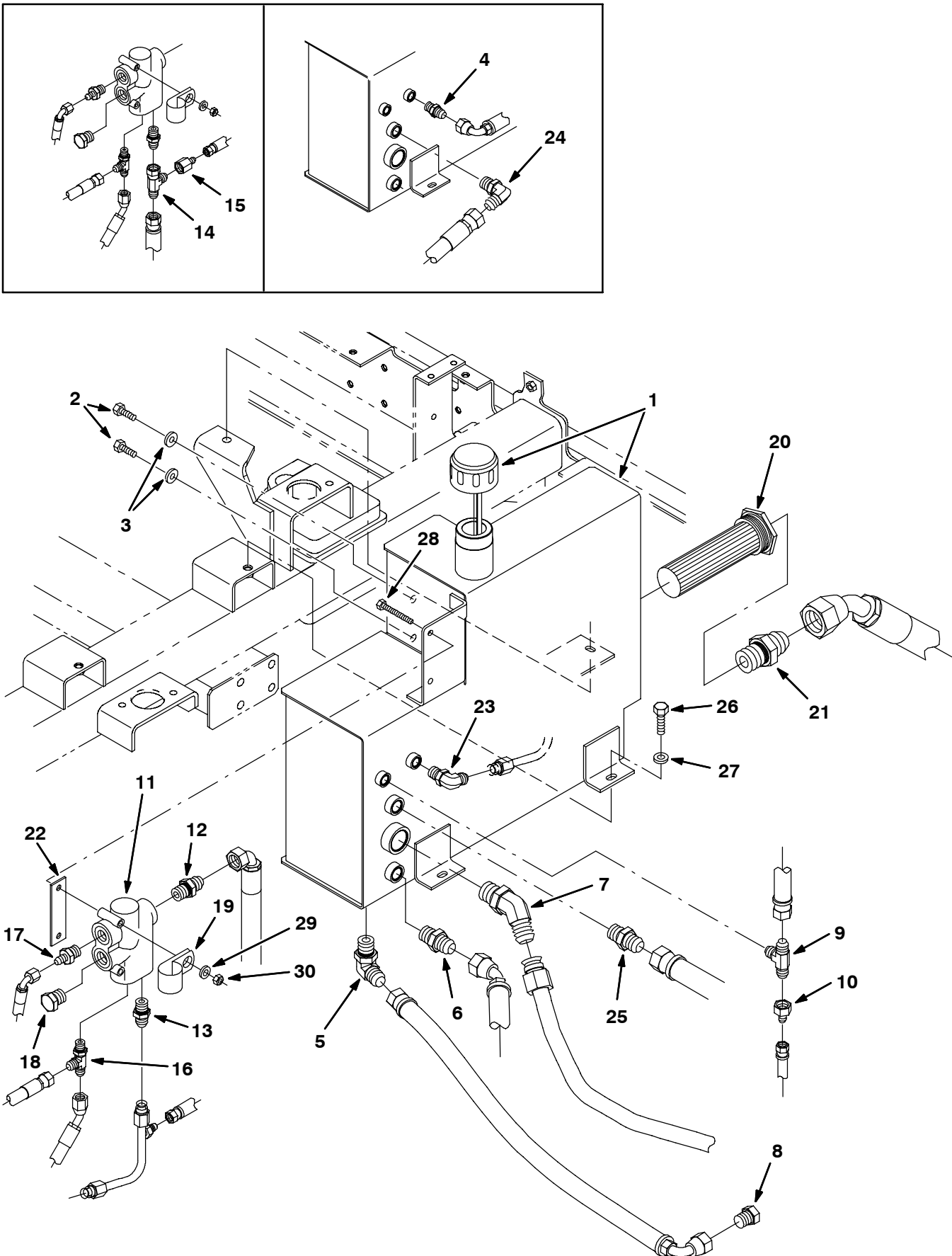


Fig. 75 - Hydraulic Reservoir Group

Ref.	Part No.	Serial Number	Description	Qty.
▽	1	9000681	(000000- ) Reservoir, 10.0 Gal, W/Label [8410]	1
▲▽		78730	(000000- ) Breather, Hyd Cap 40Mic 8.5Ds	1
▲▲		70006	(000000- ) Gasket, Hyd Cap	1
▲	2	21197	(000000- ) Scr Hex .38-16X1.00	2
▲	3	84097	(000000- ) Washer, Sealing	2
	4	56690	(000000-012512 ) Ftg-Hyd Str Jm06/Om06	1
	5	44868	(000000- ) Ftg-Hyd E90 Jm08/Om08	1
	6	52402	(000000- ) Ftg-Hyd Str Jm06/Om08	1
	7	57479	(000000- ) Ftg-Hyd E45	1
	8	16376	(000000- ) Ftg-Hyd Plg Jm08	1
	9	67683	(000000- ) Ftg-Hyd Tee Jm06Omjm	1
	10	47752	(000000- ) Ftg-Hyd Str Jm04/Jf06	1
	11	9002675	(000000-014333 ) Valve Kit, Hyd, F/73094/84145, Replmt	1
	11	1032036	(014334- ) Valve, Hyd [Priority Ds16g1000]	1
	12	56692	(000000- ) Ftg-Hyd Str Jm08/Om10	1
	13	50960	(000000- ) Ftg-Hyd Str Jm06/Om04	1
	14	42215	(000000-012512 ) Ftg-Hyd Tee Jm06Jmjf	1
	15	47752	(000000-012512 ) Ftg-Hyd Str Jm04/Jf06	1
	16	34390	(000000- ) Ftg-Hyd Tee Jm04Jmom	1
	17	52402	(000000- ) Ftg-Hyd Str Jm06/Om08	1
	18	40362	(000000- ) Ftg-Hyd Plg Om10	1
	19	86328	(000000- ) Clamp, Cable 1.5 Dia	1
	20	31613	(000000- ) Strainer-Hyd Suction 25-100-03	1
	21	19458	(000000-013227 ) Ftg-Hyd Str	1
	21	58858	(013228- ) Ftg-Hyd Str	1
	22	78898	(000000- ) Isolator, Valve	1
	23	56820	(012513- ) Ftg-hyd E90 Jm06/Om06	1
	24	44868	(000000-013227 ) Ftg-Hyd E90 Jm08/Om08	1
	25	44869	(013228- ) Fitting, Hyd, Str, Jm08/Om08	1
	26	03192	(000000- ) Screw, Hex, M10 X 1.5 X 30, 8.8	3
	27	32492	(000000- ) Washer, Flat, 0.38, Std	3
	28	39279	(000000- ) Screw, Hex, M8 X 1.25 X 70, 8.8	2
	29	32490	(000000- ) Washer, Flat, 0.25, Std	2
	30	08709	(000000- ) Nut, Hex, Lock, M8 X 1.25, NI	2

Fig. 76 - Hydraulic Reservoir Group, LPG (015000- )

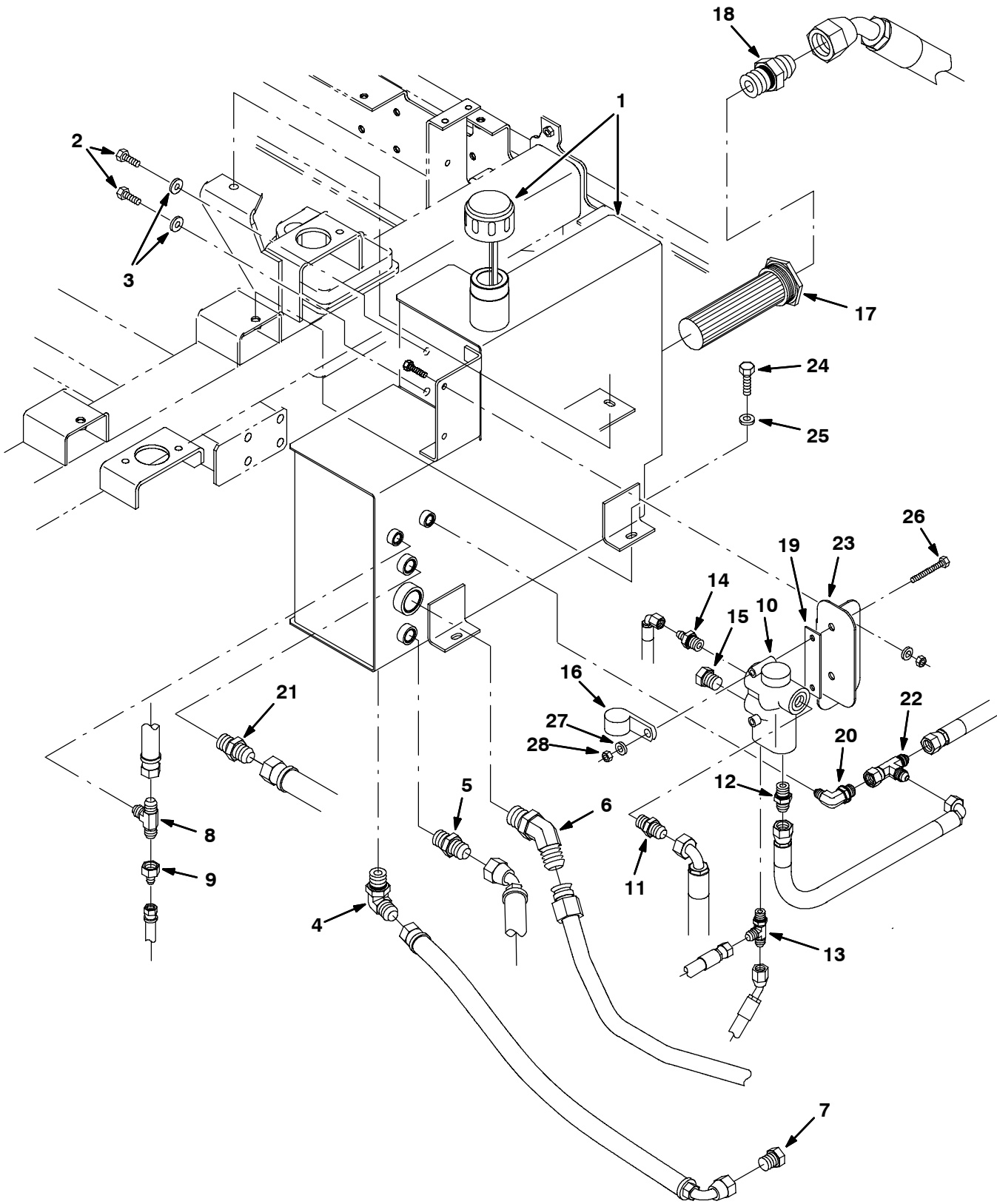


Fig. 76 - Hydraulic Reservoir Group, LPG (015000- )

Ref.	Part No.	Serial Number	Description	Qty.
▽	1	9000681	(015000- ) Reservoir, 10.0 Gal, W/Label [8410]	1
▲▽	78730	(015000- )	Breather, Hyd Cap 40Mic 8.5Ds	1
▲▲	70006	(015000- )	Gasket, Hyd Cap	1
▲	2	21197	(015000- ) Scr Hex .38-16X1.00	2
▲	3	84097	(015000- ) Washer, Sealing	2
	4	44868	(015000- ) Ftg-Hyd E90 Jm08/Om08	1
	5	52402	(015000- ) Ftg-Hyd Str Jm06/Om08	1
	6	57479	(015000- ) Ftg-Hyd E45	1
	7	16376	(015000- ) Ftg-Hyd Plg Jm08	1
	8	67683	(015000- ) Ftg-Hyd Tee Jm06Omjm	1
	9	47752	(015000- ) Ftg-Hyd Str Jm04/Jf06	1
	10	1032036	(015000- ) Valve, Hyd [Priority Ds16g1000]	1
	11	56692	(015000- ) Ftg-Hyd Str Jm08/Om10	1
	12	55586	(015000- ) Fitting, Hyd, Str, Jm04/Om04	1
	13	34390	(015000- ) Ftg-Hyd Tee Jm04Jmom	1
	14	52402	(015000- ) Ftg-Hyd Str Jm06/Om08	1
	15	40362	(015000- ) Ftg-Hyd Plg Om10	1
	16	86328	(015000- ) Clamp, Cable 1.5 Dia	1
	17	31613	(015000- ) Strainer-Hyd Suction 25-100-03	1
	18	58858	(015000- ) Ftg-Hyd Str	1
	19	78898	(015000- ) Isolator, Valve	1
	20	47638	(015000- ) Fitting, Hyd, E90, Jm04/Om06	1
	21	44869	(015000- ) Fitting, Hyd, Str, Jm08/Om08	1
	22	57988	(015000- ) Fitting, Hyd, Tee, Jf04/Jm04/Jm04, Run	1
	23	1029477	(015000- ) Bracket, Plt, Hyd Valve, Adj	1
	24	03192	(015000- ) Screw, Hex, M10 X 1.5 X 30, 8.8	3
	25	32492	(015000- ) Washer, Flat, 0.38, Std	3
	26	39279	(015000- ) Screw, Hex, M8 X 1.25 X 70, 8.8	2
	27	32490	(015000- ) Washer, Flat, 0.25, Std	2
	28	08709	(015000- ) Nut, Hex, Lock, M8 X 1.25, NI	2

Fig. 77 - Sweeper Main Hydraulic Valve Group

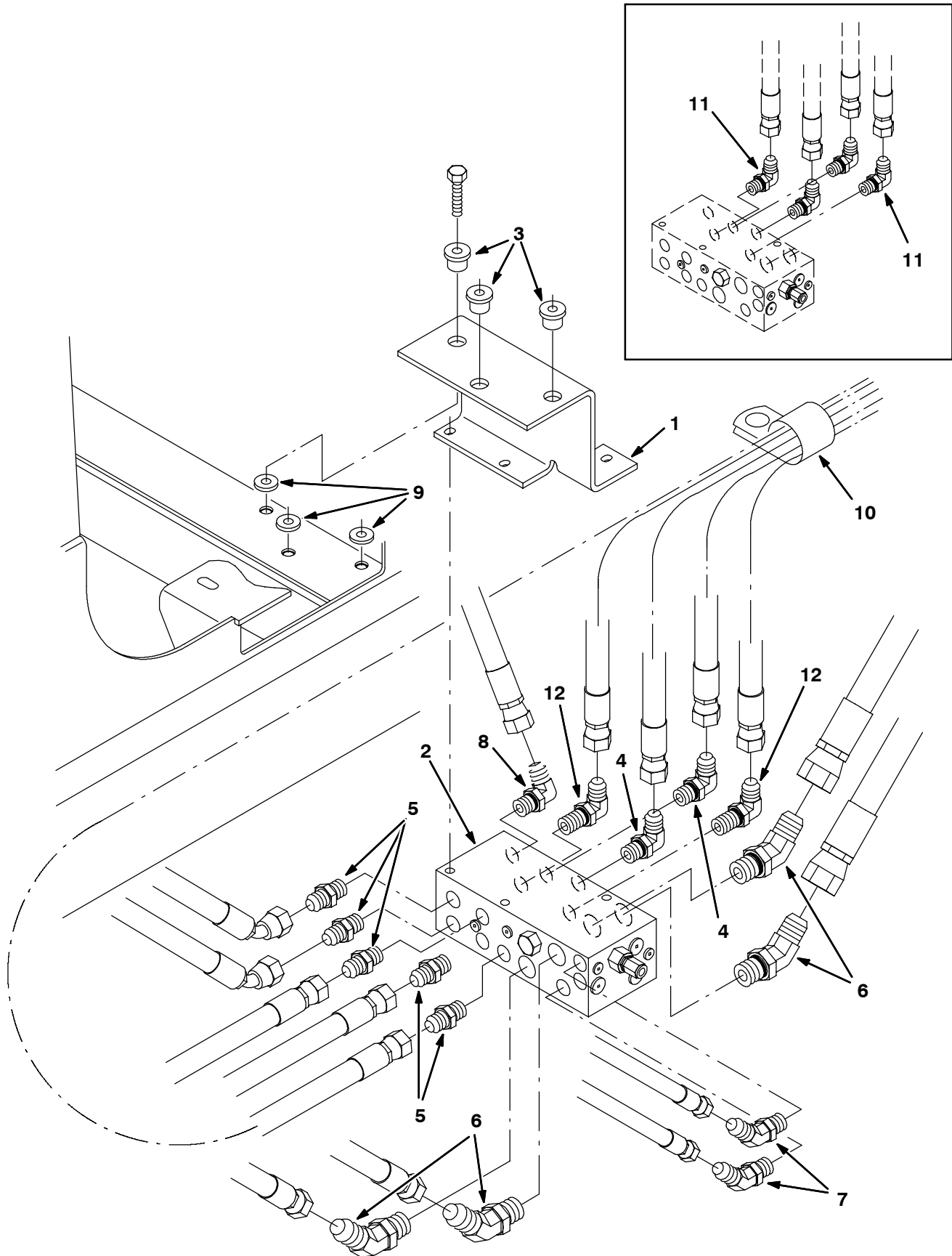


Fig. 77 - Sweeper Main Hydraulic Valve Group

Ref.	Part No.	Serial Number	Description	Qty.
1	10618	(010308-	) Bracket Wldt, Mtg, Valve	1
2	84012	(000000-	) Valve, Hyd Control Sol (See Breakdowns)	1
3	54274	(000000-	) Isolator-Vibration, 125Lb. Ratng	3
4	77097	(000000-	) Ftg-Hyd E90 Jm04/Om04	2
5	55586	(000000-	) Ftg-Hyd Str Jm04/Om04	5
6	42226	(000000-	) Ftg-Hyd E45 Jm08/Om08	4
7	34359	(000000-	) Ftg-Hyd E45 Jm04/Om04	2
8	77098	(000000-	) Ftg-Hyd E90 Jm06/Om04	1
9	13248	(000000-	) Washer, .400B 1.12D .12Cr.Znc	1
10	53466	(000000-	) Clamp, Hose	1
11	77097	(000000-013227	) Ftg-Hyd E90 Jm04/Om04	2
12	82825	(013228-	) Fitting, Hyd, E90, Jm04om04I	2

Fig. 78 - Sweeper Side Brush Lift Group

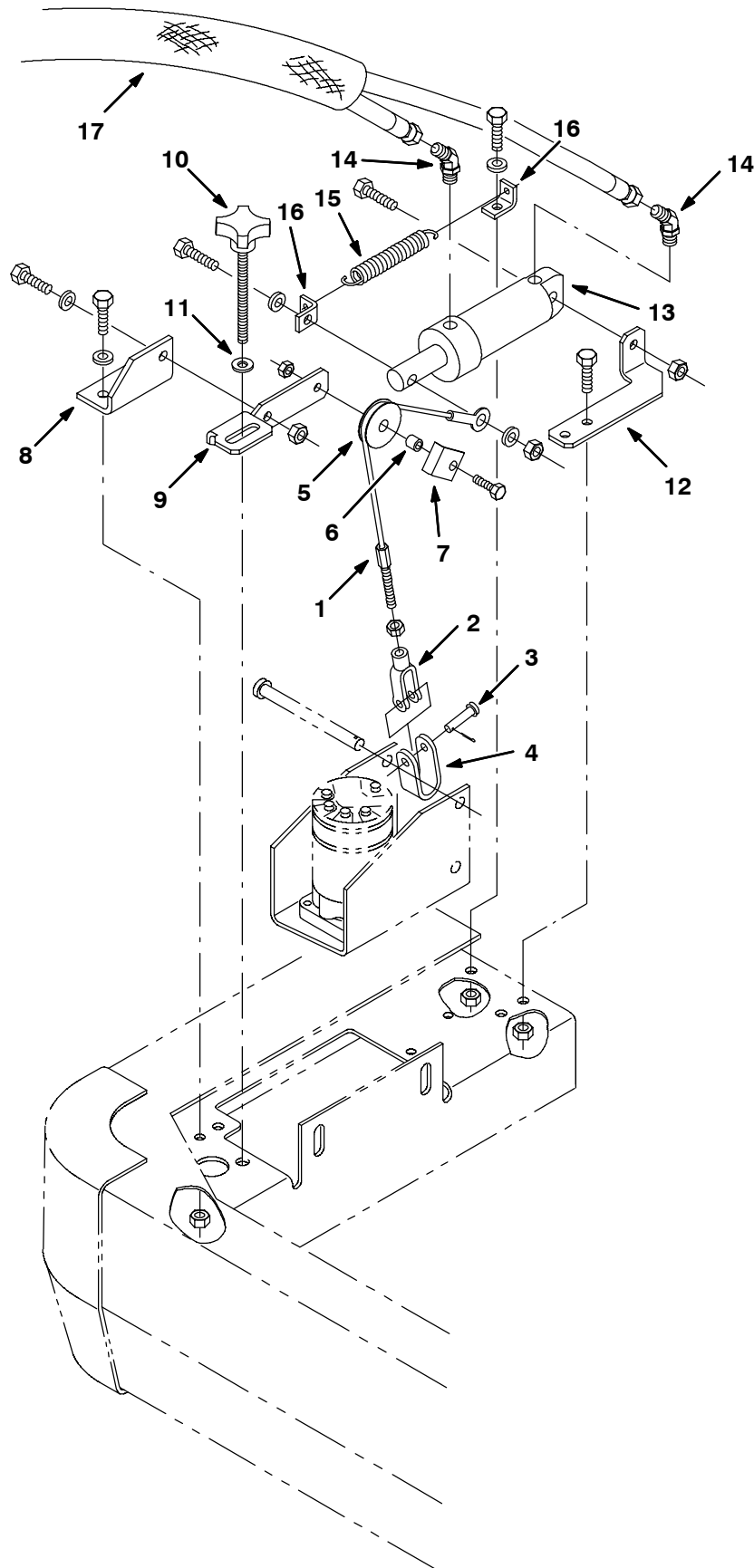




Fig. 78 - Sweeper Side Brush Lift Group

Ref.	Part No.	Serial Number	Description	Qty.
1	77335	(000000-	) Cable, Lift, Side Brush	1
2	12267	(000000-	) Yoke, End-Adjustable	1
3	29558	(000000-	) Pin,Clevis,0.37 Dia.X 1.50 Lg	1
4	59899	(000000-	) Bracket, Side Brush	1
5	369781	(000000-	) Pulley, Cable, 1.5d, Nyl	1
6	56624	(000000-	) Spacer, Pulley	1
7	54400	(000000-	) Angle, Cable Keeper	1
8	72743	(000000-	) Bracket, Support, Pulley	1
9	72740	(000000-	) Bracket, Adjustment, Sidebrush	1
10	54848	(000000-	) Knob, Adjusting	1
11	52296	(000000-	) Washer,Nyl,0.405Bx0.812X.060Th	1
12	72741	(000000-	) Bracket, Support, Cylinder	1
13	73089	(000000-	) Cylinder, Hyd 1.5B 02.8S.2500	1
14	34359	(000000-	) Ftg-Hyd E45 Jm04/Om04	2
15	29499	(000000-	) Spring, Tens.750Dx.10Wirex4.5	1
16	77336	(000000-	) Angle, Retainer, Spring	2
17	31646	(000000-	) Sleeve, Nylon 25.0L	1

Fig. 79 - Sweeper Side Brush Motor and Pivot Group

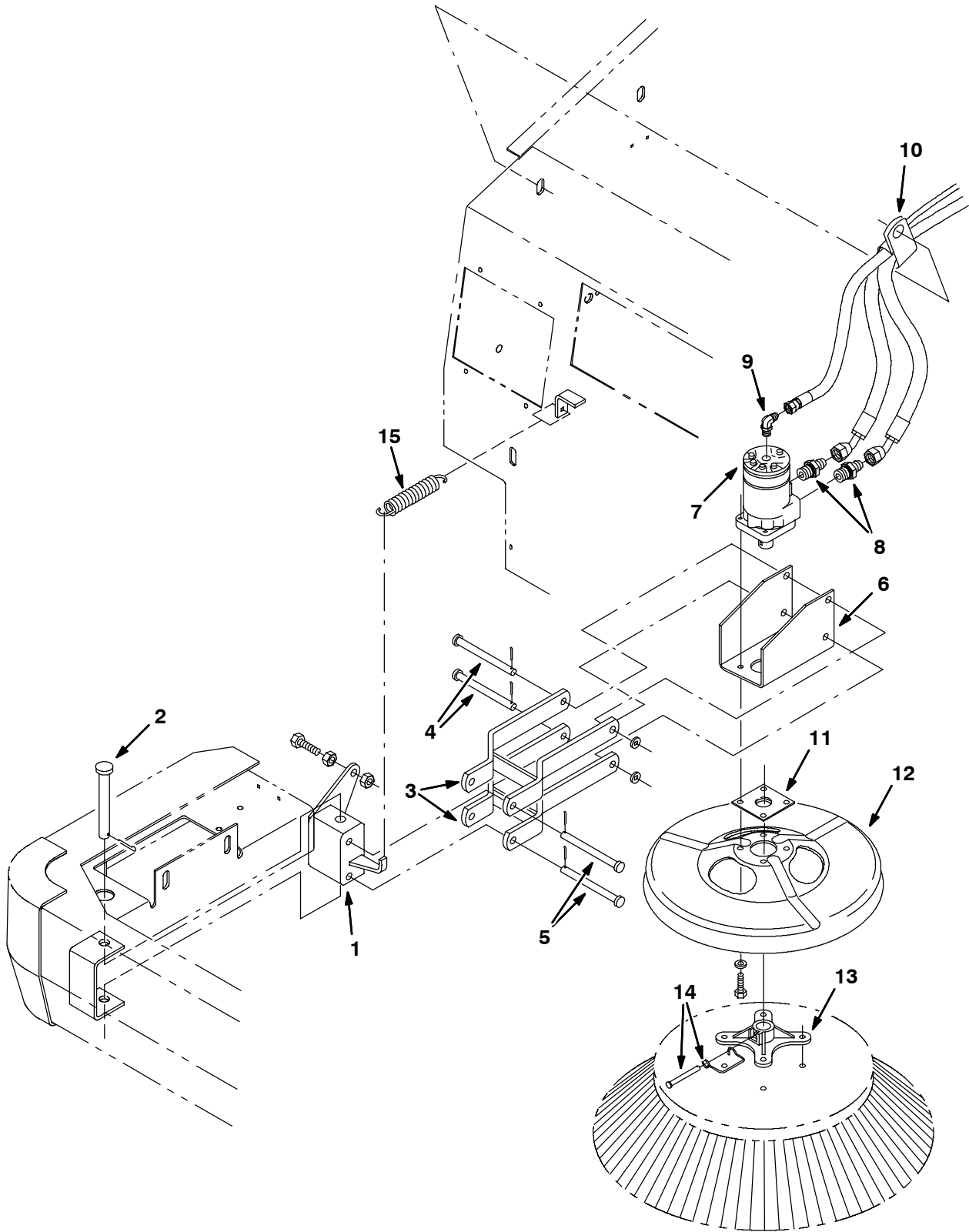


Fig. 79 - Sweeper Side Brush Motor and Pivot Group

Ref.	Part No.	Serial Number	Description	Qty.
1	54050	(000000-	) Pivot Assy, S Br	1
2	54660	(000000-	) Pin, Clevis .75 DiaX5.5Lg	1
3	53965	(000000-	) Arm, Lift	2
4	51225	(000000-	) Pin,Clevis,0.50 Dia.X 5.50 Lg	2
5	51538	(000000-	) Pin,Clevis,0.50 Dia.X 5.00 Lg	2
6	71540	(000000-	) Bracket, Motor	1
7	374628	(000000-012654	) Replacement Kit, Motor Hyd. F/53435 (See Breakdowns)	1
7	373340	(012655-	) Motor-Hyd Gear In 14.13 B1500 (See Breakdowns)	1
8	56692	(000000-	) Ftg-Hyd Str Jm08/Om10	2
9	77097	(000000-	) Ftg-Hyd E90 Jm04/Om04	1
10	53466	(000000-	) Clamp, Hose	4
11	16082	(000000-	) Guard, String, Brush Motor	1
12	53984	(000000-	) Guard, Brush	1
13	47501	(000000-	) Hub, Brush Adaptor, 1.00B	1
14	84581	(000000-	) Pin Assy, Side Brush W/Clip	1
15	47745	(000000-	) Sprng,Tens,1.12Odx.14Wire 4.8L	1

Fig. 80 - Sweeper Main Brush Lift Group

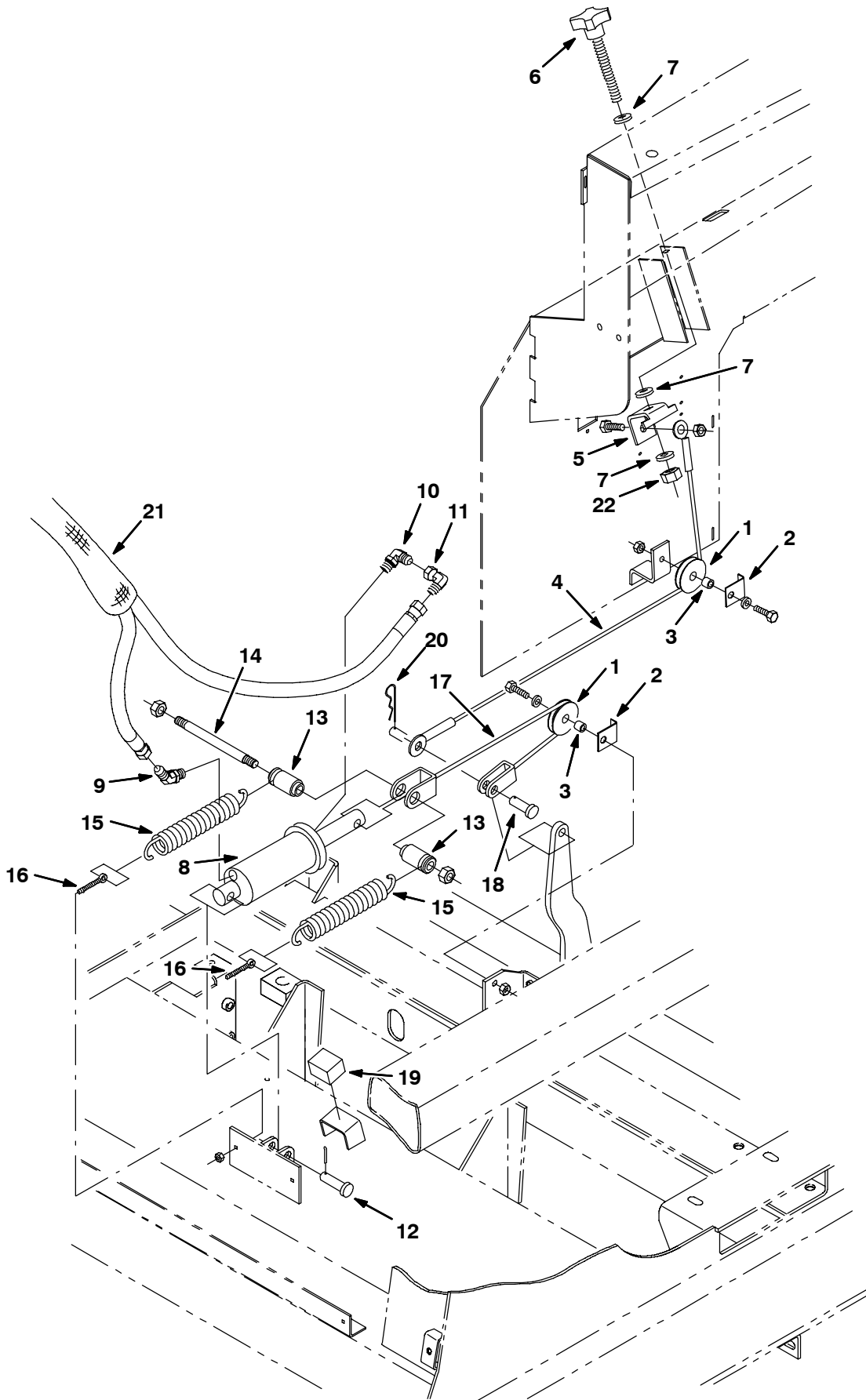


Fig. 80- Sweeper Main Brush Lift Group

Ref.	Part No.	Serial Number	Description	Qty.
1	369781	(000000-	) Pulley, Cable, 1.5d, Nyl	2
2	54400	(000000-	) Angle, Cable Keeper	2
3	56624	(000000-	) Spacer, Pulley	2
4	73261	(000000-	) Cable, Adj, Main Brush	1
5	83870	(000000-	) Bracket, Brush Lift Adj M10	1
6	54848	(000000-	) Knob, Adjusting	1
7	52296	(000000-	) Washer, Nyl, 0.405Bx0.812X.060Th	1
1028042	<del>54096</del>	(000000-	) Cylinder-Hyd 2.0X4.0Da2500Psi	1
9	34359	(000000-	) Ftg-Hyd E45 Jm04/Om04	1
10	77097	(000000-	) Ftg-Hyd E90 Jm04/Om04	1
11	39210	(000000-	) Ftg-Hyd E90 Jm04/Jf04	1
12	43290	(000000-	) Pin, Clevis, 0.50 Dia. X 1.75 Lg	1
13	72847	(000000-	) Tube, Retainer, Spring	2
14	72848	(000000-	) Rod, Threaded, Brush Lift	1
15	33404	(000000-	) Spring, Tension	2
16	78944	(000000-	) Bolt-Eye, .31-18Th.18B 2.75L	2
17	72849	(000000-	) Cable, Brushlift	1
18	75520	(000000-	) Pin, Clevis, 0.50 Dia. X 1.50 Lg	1
19	72858	(000000-	) Pad	1
20	08175	(000000-	) Pin, Cotter .125X1.25	1
21	50121	(000000-	) Sleeve, Nyl 8.0L	1
22	41430	(000000-	) Nut, Hex, Lock, M10 X 1.5, NI	1

Fig. 81 - Sweeper Main Brush Drive Group

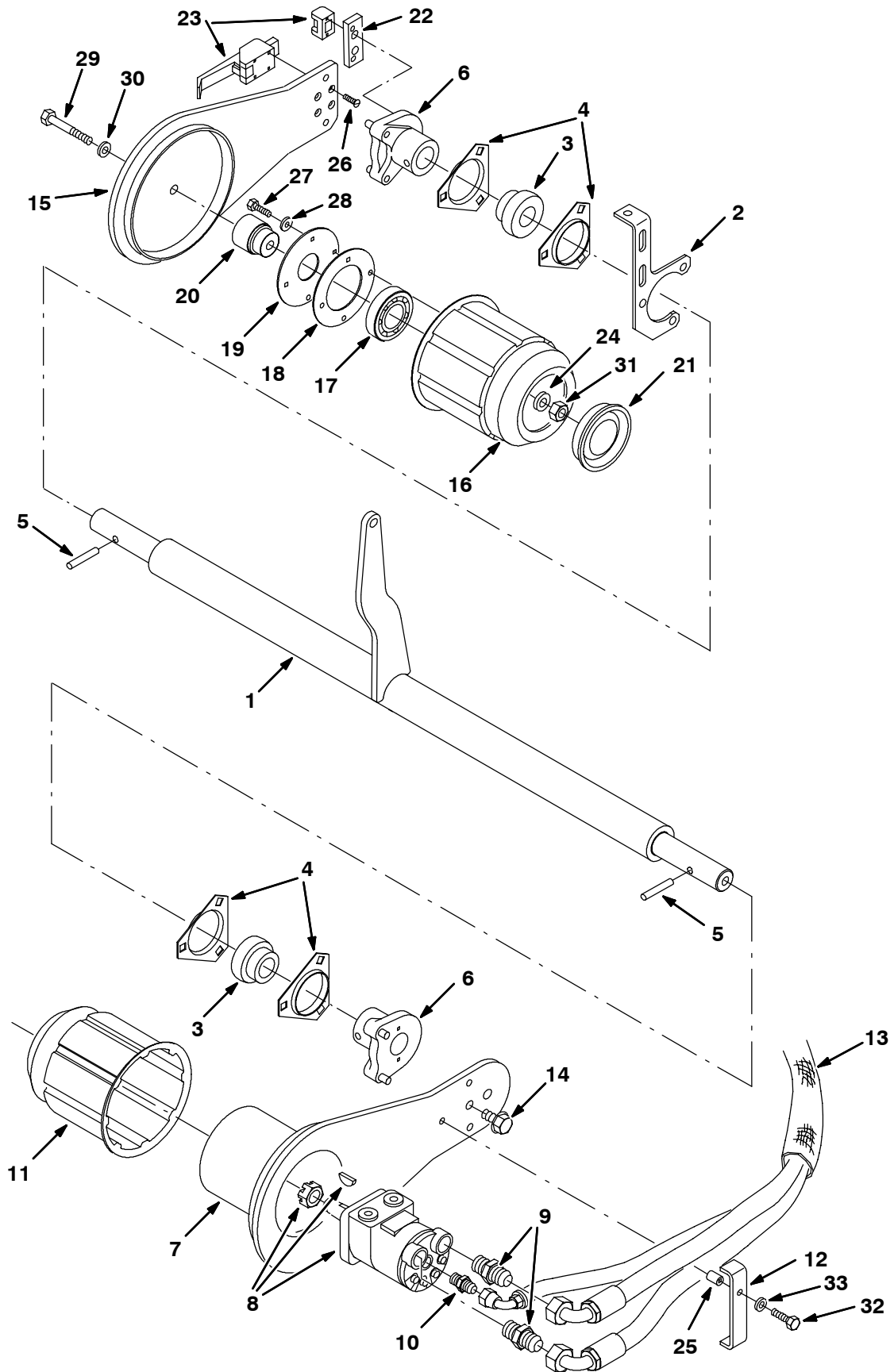


Fig. 81 - Sweeper Main Brush Drive Group

Ref.	Part No.	Serial Number	Description	Qty.
1	73258	(000000-	) Shaft Wldt, Main Brush	1
2	72458	(000000-	) Plate, Mtg, Main Brush Shaft	1
3	51448	(000000-	) Bearing&Clr ,1.25B 2.44D 1.41W	2
4	51449	(000000-	) Flange,Brg,3 Hole	4
5	51317	(000000-	) Pin,Roll,.38Odx2.00L,.375/.382	2
6	54680	(000000-	) Hub Assy, Brush Arm	2
7	13156	(000000-	) Arm Wldt, Brush, Drive	1
8	74468	(000000-	) Motor, Hyd Gear In 02.8 B 1500 (See Breakdowns)	1
9	44869	(000000-	) Ftg-Hyd Str Jm08/Om08	2
10	55586	(000000-	) Ftg-Hyd Str Jm04/Om04	1
11	87631	(000000-	) Plug Weld, Brush Drive, Sweep	1
12	63516	(000000-	) Bracket, Hose	1
13	82832	(000000-	) Sleeve-Nyln #38 25.0L	1
14	53985	(000000-	) Plug Thread 1/2-13	1
15	54659	(000000-	) Arm Wldt, Idlerr, W/Brush	1
16	55779	(000000-	) Plug Wldt, Idler	1
17	24899AM	(000000-	) Bearing-Ball,1.38B 2.83D 0.67W	1
18	30252	(000000-	) Strip Retainer Bearing	1
19	30253	(000000-	) Plate Seal	1
20	30251	(000000-	) Shaft Idler	1
21	30255	(000000-	) Plug Tube	1
22	54204	(000000-	) Plate, Mounting, Latch	1
23	54878	(000000-	) Latch	1
24	51564	(000000-	) Washer, .531B 1.75D .12Cr.Znc	1
25	09900-1	(000000-	) Sleeve	1
26	09120	(000000-	) Screw, Flt, M5 X 0.8 X 16, 10.9	6
27	12277	(000000-	) Screw, Hex, M6 X 1.0 X 20, Ss, NI	4
28	01684	(000000-	) Washer, Flat, 0.25, Ss	4
29	06974	(000000-	) Screw, Hex, M12 X 1.75 X 80, 8.8	1
30	36328	(000000-	) Washer, Flat, Belleville, .50	1
31	08711	(000000-	) Nut, Hex, Lock, M12 X 1.75,NI	1
32	07805	(000000-	) Screw, Hex, M6 X 1.0 X 35, Ss	1
33	01684	(000000-	) Washer, Flat, 0.25, Ss	1

Fig. 82 - Scrub Brush Frame Group

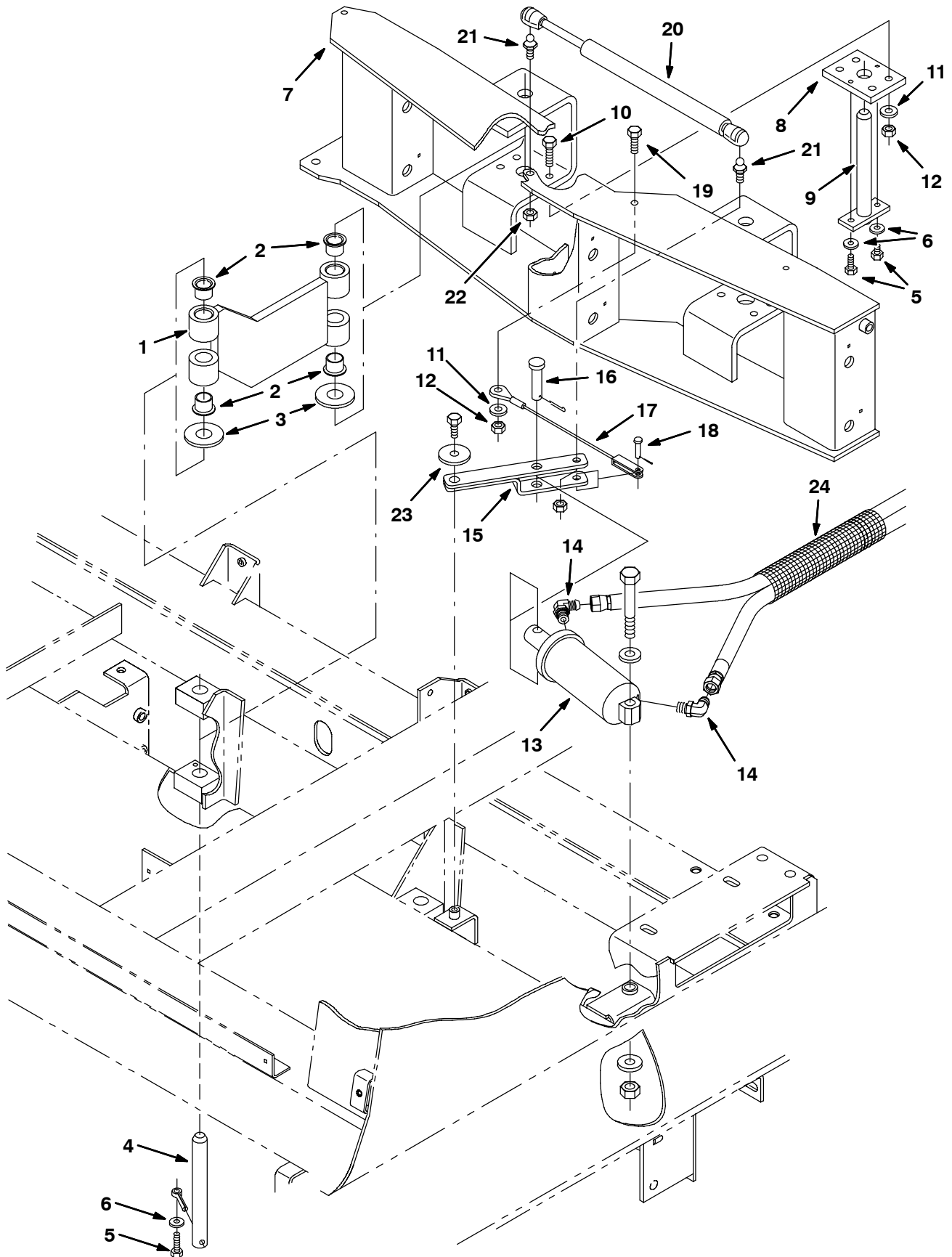




Fig. 82 - Scrub Brush Frame Group

Ref.	Part No.	Serial Number	Description	Qty.
1	72599	(000000-	) Link Wldt, Edge Scrubbing	2
2	72763	(000000-	) Bearing, Flange, .750 Bore	8
3	32495	(000000-	) Washer Flt .75 Hard	4
4	72776	(000000-	) Pin, Scrub Head, .75D X 6.812L	2
5	09007	(000000-	) Scr Hexssm 6X1.0 25	6
6	01684	(000000-	) Washer Flt .25 Ss	6
7	72768	(000000-	) Frame Wldt, Mtg, Brush	1
8	72836	(000000-	) Bar, Adjustment, Pivot	2
9	84067	(000000-	) Pin Wldt, Scrub Head	2
10	09011	(000000-	) Scr Hexssm 8X1.25 30	8
11	01685	(000000-	) Washer Flt .31 Ss	9
12	08713	(000000-	) Nut-Hxlocnyln M 8X1.25 Reg Ss	9
13	54096	(000000-	) Cylinder-Hyd2.0X4.0Da2500Psi	1
14	77097	(000000-	) Ftg-Hyd E90 Jm04/Om04	2
15	84021	(000000-	) Lever Wldt, Edge Scrubbing	1
16	43290	(000000-	) Pin,Clevis,0.50 Dia.X 1.75 Lg	1
17	72833	(000000-	) Cable	1
18	23786	(000000-	) Pin,Clevis,0.25 Dia.X 0.75 Lg	1
19	09740	(000000-	) Scr Hexssm 8X1.25	1
20	79376	(000000-	) Spring, Gas 34 Lb 6.3 Stroke	1
21	58494	(000000-	) Stud, Ball, Gas Spring	2
22	01760	(000000-	) Nut-Hxlocnyln .31-18 Thin Pltd	2
23	05624	(000000-	) Washer, Flat	1
24	50121	(000000-	) Sleeve, Nylon	1

Fig. 83 - Scrub Brush Group, Left

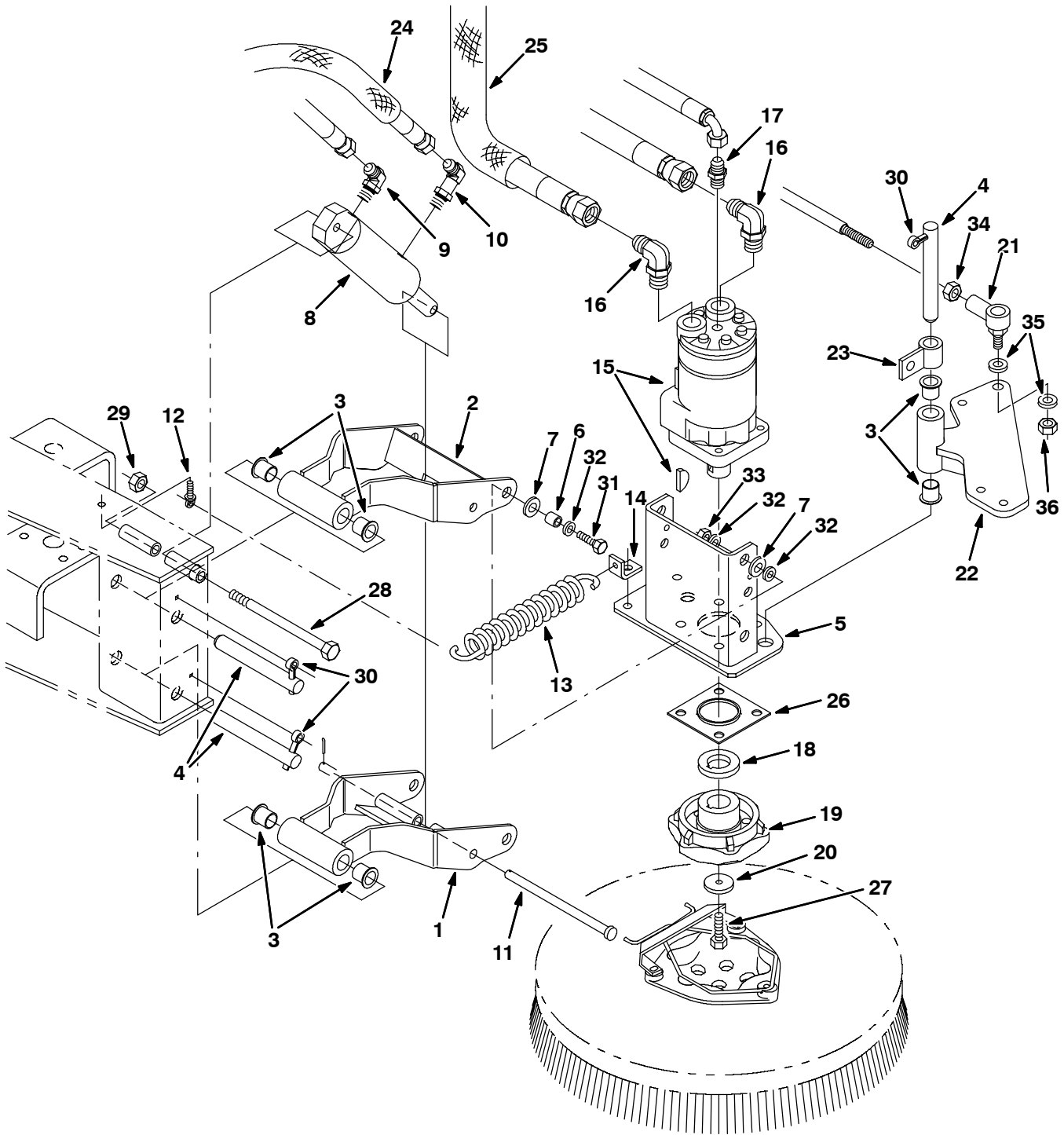


Fig. 83 - Scrub Brush Group, Left

Ref.	Part No.	Serial Number	Description	Qty.
1	72663	(000000-	) Link, Lower	1
2	72773	(000000-	) Link Wldt, Upper	1
3	72777	(000000-	) Bushing, Flanged, .625 Id	4
4	72775	(000000-	) Pin, Scrub Brush, .625D 5.00L	3
5	72839	(000000-	) Bracket, Motor	1
6	222460	(000000-	) Sleeve	4
7	86952	(000000-	) Washer-Flat .44 Std Nylon	8
8	379030	(000000-	) Cylinder, Hyd	1
9	77097	(000000-	) Ftg-Hyd E90 Jm04/Om04	1
10	82825	(000000-	) Ftg-Hyd E90 Jm04/Om04	1
11	49924	(000000-	) Pin,Clevis,0.37 Dia.X 6.12 Lg	1
12	48079	(000000-	) Bolt-Eye, .25-20Th .25B 1.4L	1
13	33404	(000000-	) Spring, Tension	1
14	72832	(000000-	) Angle, Retainer, Spring	1
15	73090	(000000-	) Motor, Hyd Gear In 07.3 B 1500 (See Breakdowns)	1
16	44868	(000000-	) Ftg-Hyd E90 Jm08/Om08	2
17	55586	(000000-	) Ftg-Hyd Str Jm04/Om04	1
18	25611	(000000-	) Spacer Hub	1
19	377351	(000000-	) Hub, Drive, Brush, Disk, 1.00b 6t	1
20	19191	(000000-	) Spacer Hub	1
21	05686	(000000-	) Rod End M10 X1.5 W/Stud	1
22	72860	(000000-	) Arm Wldt, Support, Sqge,Lh	1
23	72842	(000000-	) Tube	1
24	87677	(000000-	) Sleeve, Nyl	1
25	84029	(000000-	) Sleeve, Nyl 45.0L	1
26	374613	(012504-	) Guard, String, Scrub Brush	1
27	25046	(000000-	) Screw, Hex, .25-20 X 1.00, 5	1
28	20178	(000000-	) Screw, Hex, .38-16 X 5.50, 5	1
29	50902	(000000-	) Nut, Hex, Lock, .38-16, NI	1
30	08361	(000000-	) Pin, Cotter, .250 X 1.25	3
31	09011	(000000-	) Screw, Hex, M8 X 1.25 X 30, Ss	4
32	01685	(000000-	) Washer, Flat, 0.31, Ss	12
33	08713	(000000-	) Nut, Hex, Lock, M8 X 1.25, NI, Ss	4
34	32716	(000000-	) Nut, Hex, Jam, M10 X 1.5, Ss	1
35	01686	(000000-	) Washer, Flat, 0.44b 1.00d .08, Ss	2
36	08714	(000000-	) Nut, Hex, Lock, M10 X 1.5, NI, Ss	1

Fig. 84 - Scrub Brush Group, Center

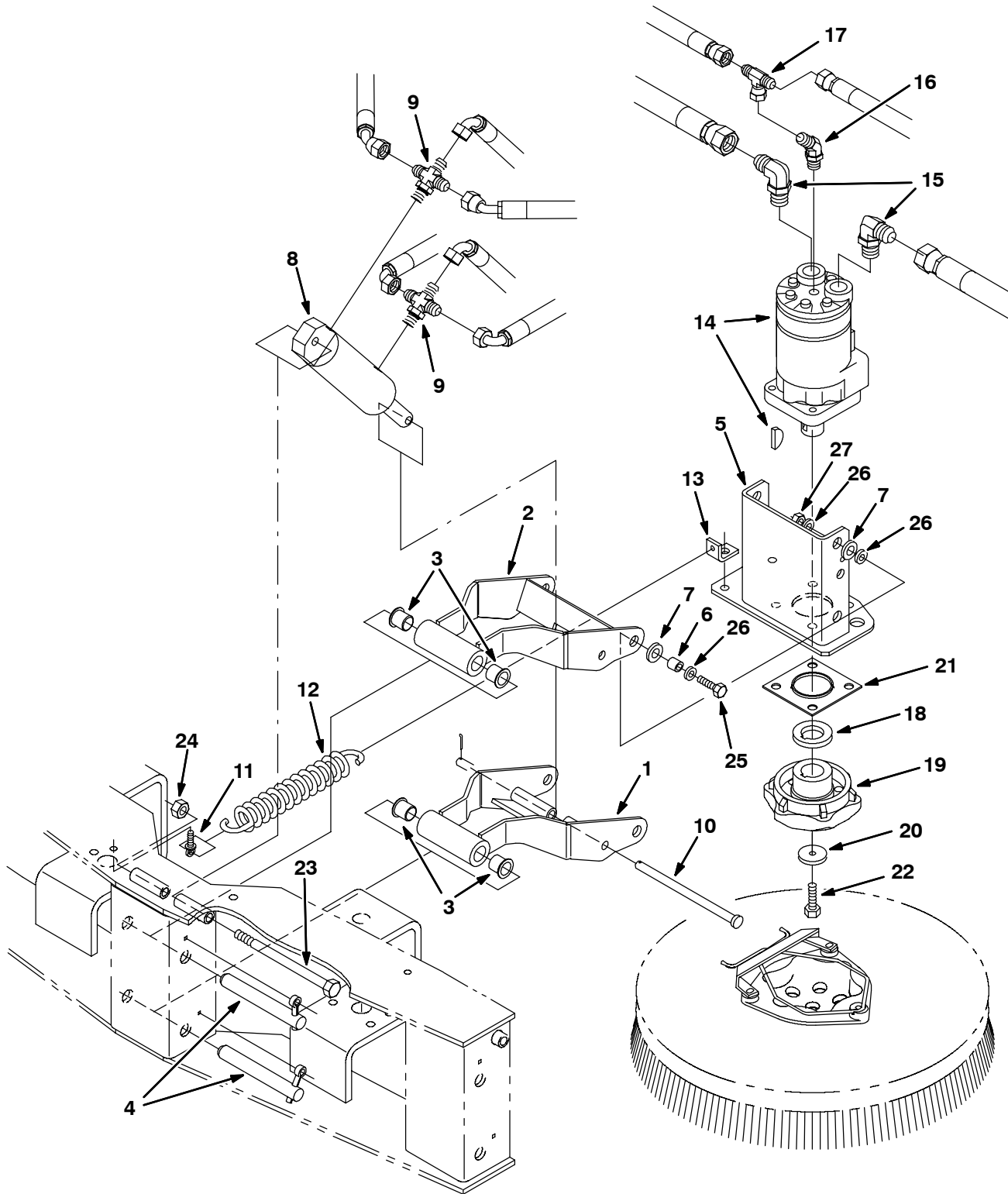


Fig. 84 - Scrub Brush Group, Center

Ref.	Part No.	Serial Number	Description	Qty.
1	72663	(000000-	) Link, Lower	1
2	72773	(000000-	) Link Wldt, Upper	1
3	72777	(000000-	) Bushing, Flanged, .625 Id	4
4	72775	(000000-	) Pin, Scrub Brush, .625D 5.00L	2
5	72839	(000000-	) Bracket, Motor	1
6	222460	(000000-	) Sleeve	4
7	86952	(000000-	) Washer-Flat .44 Std Nylon	8
8	379030	(000000-	) Cylinder, Hyd	1
9	82802	(000000-	) Ftg-Hyd Crs Jm04/Om04	2
10	49924	(000000-	) Pin,Clevis,0.37 Dia.X 6.12 Lg	1
11	48079	(000000-	) Bolt-Eye, .25-20Th .25B 1.4L	1
12	33404	(000000-	) Spring, Tension	1
13	72832	(000000-	) Angle, Retainer, Spring	1
14	73090	(000000-	) Motor, Hyd Gear In 07.3 B 1500 (See Breakdowns)	1
15	44868	(000000-	) Ftg-Hyd E90 Jm08/Om08	2
16	34359	(000000-	) Ftg-Hyd E45 Jm04/Om04	1
17	57411	(000000-	) Ftg-Hyd Tee Jm04Jfjm	1
18	25611	(000000-	) Spacer Hub	1
19	377351	(000000-	) Hub, Drive, Brush, Disk, 1.00b 6t	1
20	19191	(000000-	) Spacer Hub	1
21	374613	(012504-	) Guard, String, Scrub Brush	1
22	25046	(000000-	) Screw, Hex, .25-20 X 1.00, 5	1
23	20178	(000000-	) Screw, Hex, .38-16 X 5.50, 5	1
24	50902	(000000-	) Nut, Hex, Lock, .38-16, NI	1
25	09011	(000000-	) Screw, Hex, M8 X 1.25 X 30, Ss	4
26	01685	(000000-	) Washer, Flat, 0.31, Ss	12
27	08713	(000000-	) Nut, Hex, Lock, M8 X 1.25, NI, Ss	4

Fig. 85 - Scrub Brush Group, Right

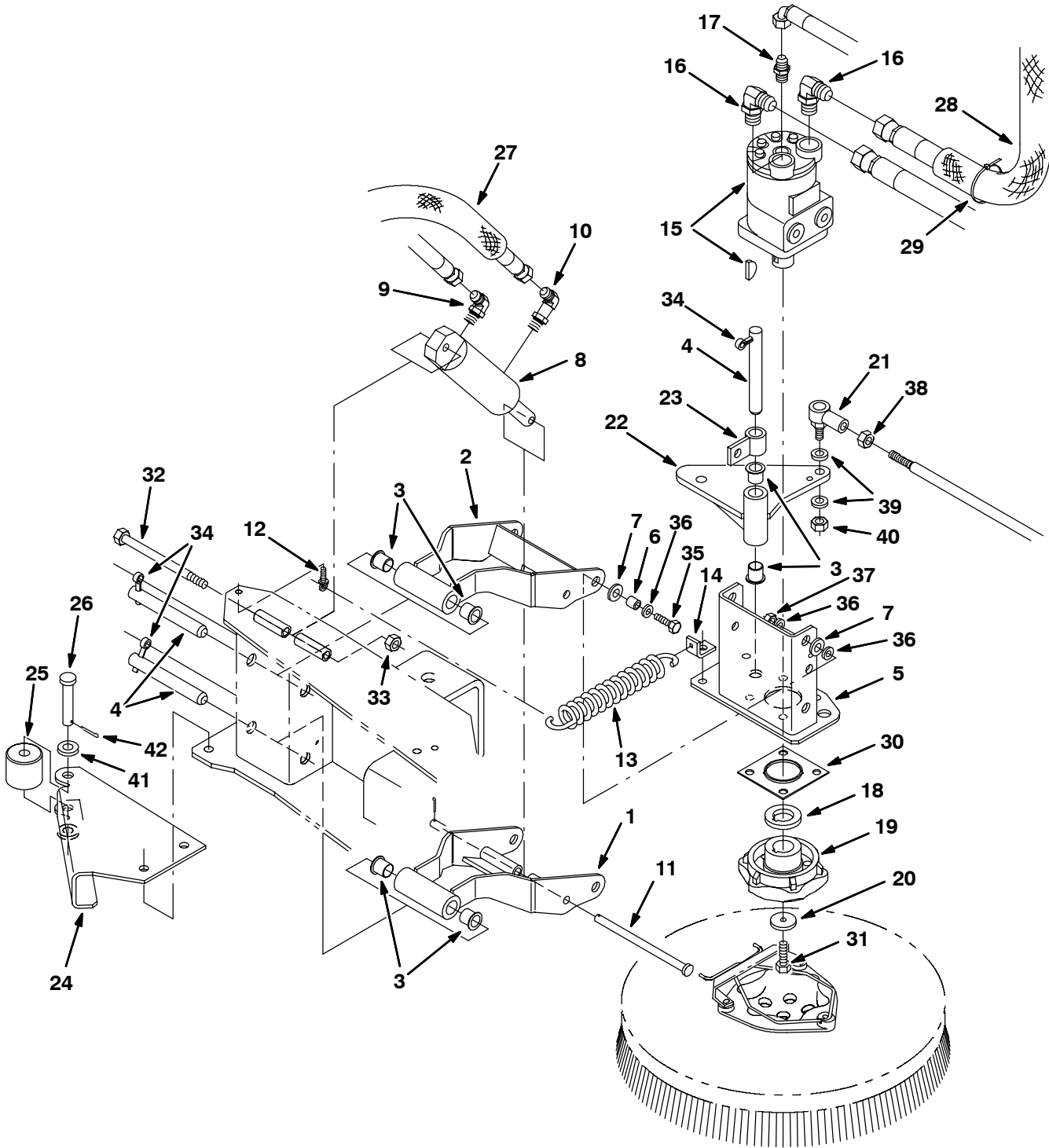


Fig. 85 - Scrub Brush Group, Right

Ref.	Part No.	Serial Number	Description	Qty.
1	72663	(000000-	) Link, Lower	1
2	72773	(000000-	) Link Wldt, Upper	1
3	72777	(000000-	) Bushing, Flanged, .625 Id	6
4	72775	(000000-	) Pin, Scrub Brush, .625D 5.00L	3
5	72839	(000000-	) Bracket, Motor	1
6	222460	(000000-	) Sleeve	4
7	86952	(000000-	) Washer-Flat .44 Std Nylon	8
8	379030	(000000-	) Cylinder, Hyd	1
9	77097	(000000-	) Ftg-Hyd E90 Jm04/Om04	1
10	82825	(000000-	) Ftg-Hyd E90 Jm04/Om04	1
11	49924	(000000-	) Pin,Clevis,0.37 Dia.X 6.12 Lg	1
12	48079	(000000-	) Bolt-Eye, .25-20Th .25B 1.4L	1
13	33404	(000000-	) Spring, Tension	1
14	72832	(000000-	) Angle, Retainer, Spring	1
15	73090	(000000-	) Motor, Hyd Gear In 07.3 B 1500 (See Breakdowns)	1
16	44868	(000000-	) Ftg-Hyd E90 Jm08/Om08	2
17	55586	(000000-	) Ftg-Hyd Str Jm04/Om04	1
18	25611	(000000-	) Spacer Hub	1
19	377351	(000000-	) Hub, Drive, Brush, Disk, 1.00b 6t	1
20	19191	(000000-	) Spacer Hub	1
21	05686	(000000-	) Rod End M10 X1.5 W/Stud	1
22	72859	(000000-	) Arm Wldt, Support, Squeegee,Rh	1
23	72842	(000000-	) Tube	1
24	72945	(000000-	) Guard, Scrub, Edge	1
25	72946	(000000-	) Roller 1.75	1
26	06279	(000000-	) Pin,Clevis,0.50 Dia.X 2.50 Lg	1
27	87677	(000000-	) Sleeve, Nyl	1
28	82833	(000000-	) Sleeve, Nyl 35.0L	1
29	49266	(000000-	) Tie, Cable	1
30	374613	(012504-	) Guard, String, Scrub Brush	1
31	25046	(000000-	) Screw, Hex, .25-20 X 1.00, 5	1
32	20178	(000000-	) Screw, Hex, .38-16 X 5.50, 5	1
33	50902	(000000-	) Nut, Hex, Lock, .38-16, NI	1
34	08361	(000000-	) Pin, Cotter, .250 X 1.25	3
35	09011	(000000-	) Screw, Hex, M8 X 1.25 X 30, Ss	4
36	01685	(000000-	) Washer, Flat, 0.31, Ss	12
37	08713	(000000-	) Nut, Hex, Lock, M8 X 1.25, NI, Ss	4
38	32716	(000000-	) Nut, Hex, Jam, M10 X 1.5, Ss	1
39	01686	(000000-	) Washer, Flat, 0.44b 1.00d .08, Ss	2
40	08714	(000000-	) Nut, Hex, Lock, M10 X 1.5, NI, Ss	1
41	41619	(000000-	) Washer, Flat, 0.56b 1.38d .11, Ss	1
42	08175	(000000-	) Pin, Cotter, .125 X 1.25	1

Fig. 86 - Scrub Hydraulic Control Solenoid Valve Group

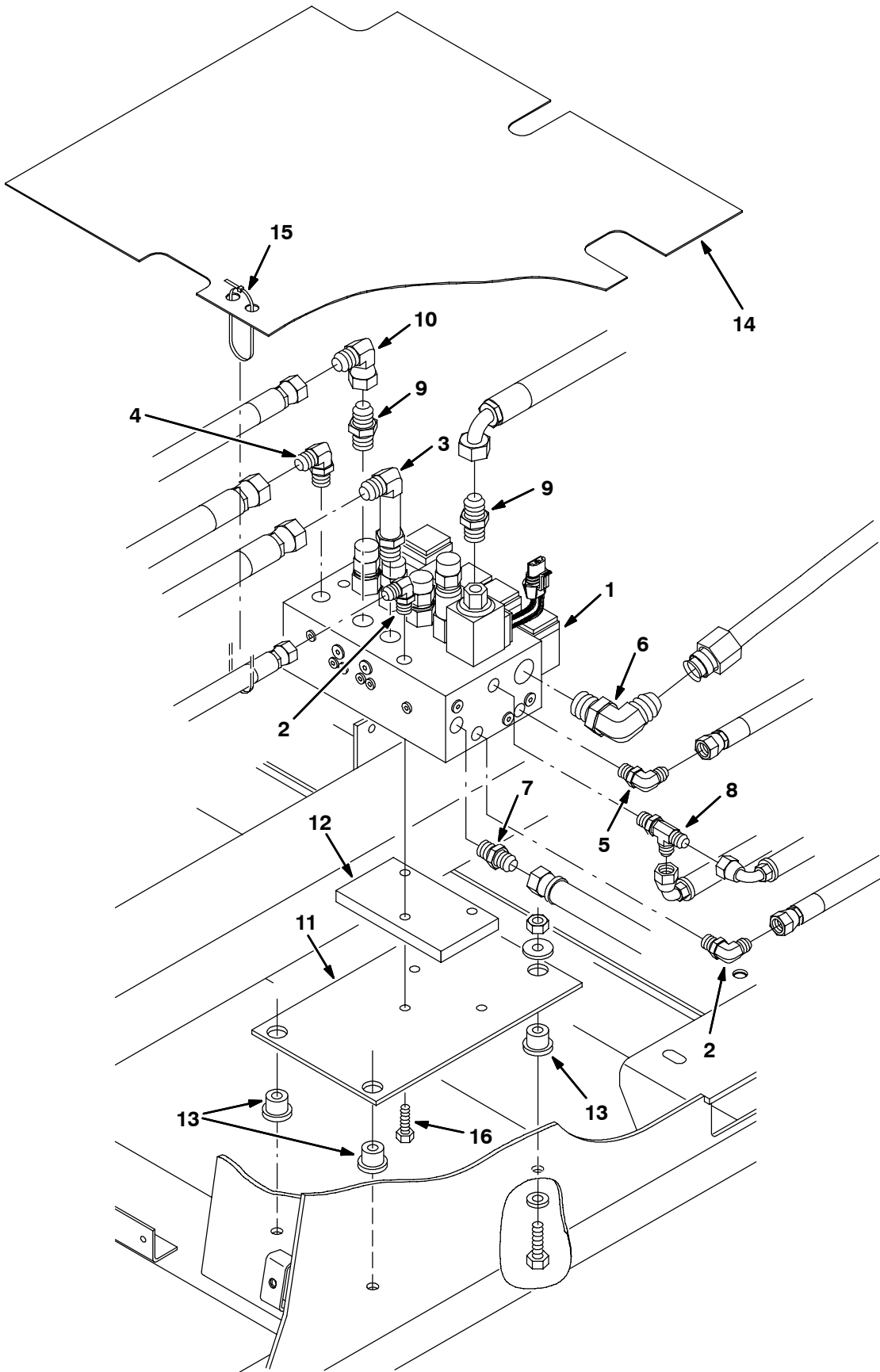
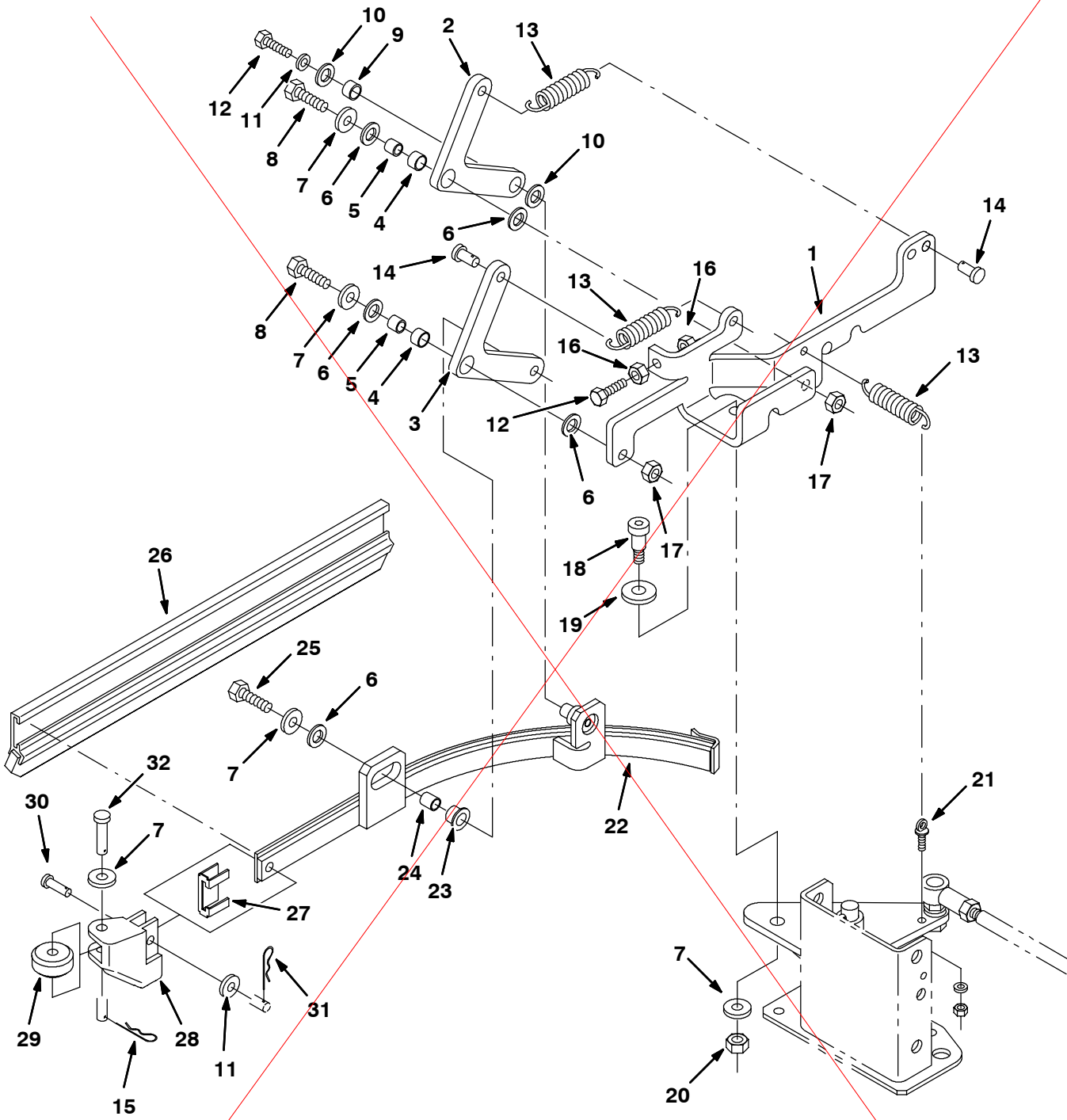




Fig. 86 - Scrub Hydraulic Control Solenoid Valve Group

Ref.	Part No.	Serial Number	Description	Qty.
1	84010	(000000-014999 )	Valve, Hyd Control Sol (See Breakdowns)	1
1	1032232	(015000- )	Valve, Hyd, Solenoid, 12vdc 0280psi (See Breakdowns)	1
2	77097	(000000- )	Ftg-Hyd E90 Jm04/Om04	2
3	69173	(000000- )	Ftg-Hyd E90 Jm08/Om08	1
4	56820	(000000- )	Ftg-Hyd E90 Jm06/Om06	1
5	82825	(000000- )	Ftg-Hyd E90 Jm04/Om04	1
6	46481	(000000- )	Ftg-Hyd E90 Jm12/Om12	1
7	56690	(000000- )	Ftg-Hyd Str Jm06/Om06	1
8	34390	(000000- )	Ftg-Hyd Tee Jm04Jmom	1
9	44869	(000000- )	Ftg-Hyd Str Jm08/Om08	2
10	17980	(000000- )	Ftg-Hyd E90 Jm08/Jf08	1
11	77260	(000000- )	Plate, Mounting, Valve	1
12	374725	(000000- )	Block, Mtg, Spacer, Plstc	1
13	54274	(000000- )	Isolator-Vibration, 125Lb. Ratng	3
14	374586	(012504- )	Shield, Hyd Solenoid	1
15	49266	(012504- )	Tie, Cable 1.75D Max 7.50Lg	1
16	59658	(000000- )	Screw, Hex, M08 X 1.25 X 35, Ss, NI	3

Fig. 87 - Scrub Right Side Squeegee Group



See insert for updated pages that show correct illustration and B/M for squeegee assemblies

Fig. 87 - Scrub Right Side Squeegee Group

Ref.	Part No.	Serial Number	Description	Qty.
	84118	(000000-	) Squeegee Assy, Rh 8410	1
1	83568	(000000-	) Bracket, Pivot, Sq Lift Rh	1
2	83564	(000000-	) Arm, Squeegee Lift Rear	1
3	83565	(000000-	) Arm, Squeegee Lift Front	1
4	71607	(000000-	) Bearing, .625B X .38	2
5	71608	(000000-	) Sleeve, Bearing .625Od X .515	2
6	64425	(000000-	) Washer, .656B 1.25D .06	5
7	01686	(000000-	) Washer Flt .38 Ss	5
8	77347	(000000-	) Screw Hexssm10X1.5 35	2
9	64173AM	(000000-	) Bushing, Sleeve, 0.50b 0.59d 0.38l, Stl	1
10	86860	(000000-	) Bearing, Thrust .500	2
11	01685	(000000-	) Washer Flt .31 Ss	2
12	09011	(000000-	) Scr Hexssm 8X1.25 30	2
13	87816	(000000-	) Spring, Extension	3
14	41305	(000000-	) Pin Clevis 0.37 Dia X 0.75 Lg	2
15	08085	(000000-	) Pin Hair Cotter .056Dx1.1L	1
16	07786	(000000-	) Nut Hx Ss M 8X1.25	2
17	08714	(000000-	) Nut-Hxlocnyln M10X1.5 Reg 18-8	2
18	33123	(000000-	) Scr-Shld .50Odx0.75L .38-16	1
19	41619	(000000-	) Washer Flt .50 Ss	1
20	36643	(000000-	) Nut-Hxlocnyln .38-16 Thin Pltd	1
21	48079	(000000-	) Bolt-Eye, .25-20Th .25B 1.4L	1
22	84093	(000000-	) Frame Wldt, Squeegee Rh	1
23	25730	(000000-	) Bearing, Flange .625B X .50	1
24	25736AM	(000000-	) Tube, 0.62d 0.41b 0.6l, Ss, Cham	1
25	12317	(000000-	) Scr Hexssm10X1.5 30	1
26	72934	(000000-	) Blade Assy, Squeegee, Side, Rh	1
27	86759	(000000-	) Retainer, Squeegee	1
28	77333	(000000-	) Guide, Side Squeegee	1
29	77331	(000000-	) Roller, Side Squeegee	1
30	69582	(000000-	) Pin,Clevis,0.31 Dia X 1.00 Lg	1
31	86866	(000000-	) Pin, Hair Cotter .375D .072Wir	1
32	29558	(000000-	) Pin,Clevis,0.37 Dia.X 1.50 Lg	1

See insert for updated pages that show  
correct illustration and B/M for squeegee assemblies

Fig. 87 - Scrub Right Side Squeegee Group

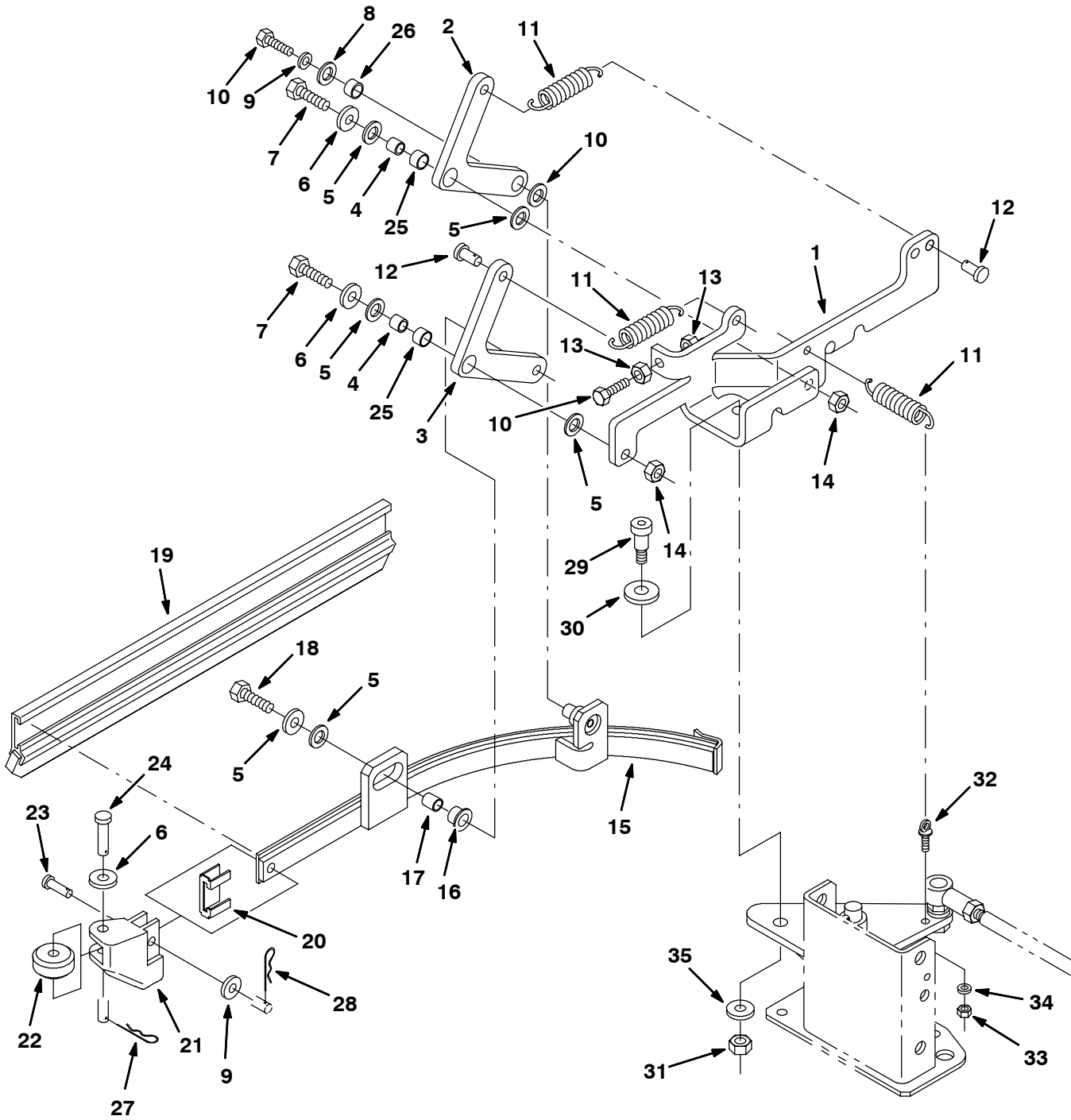
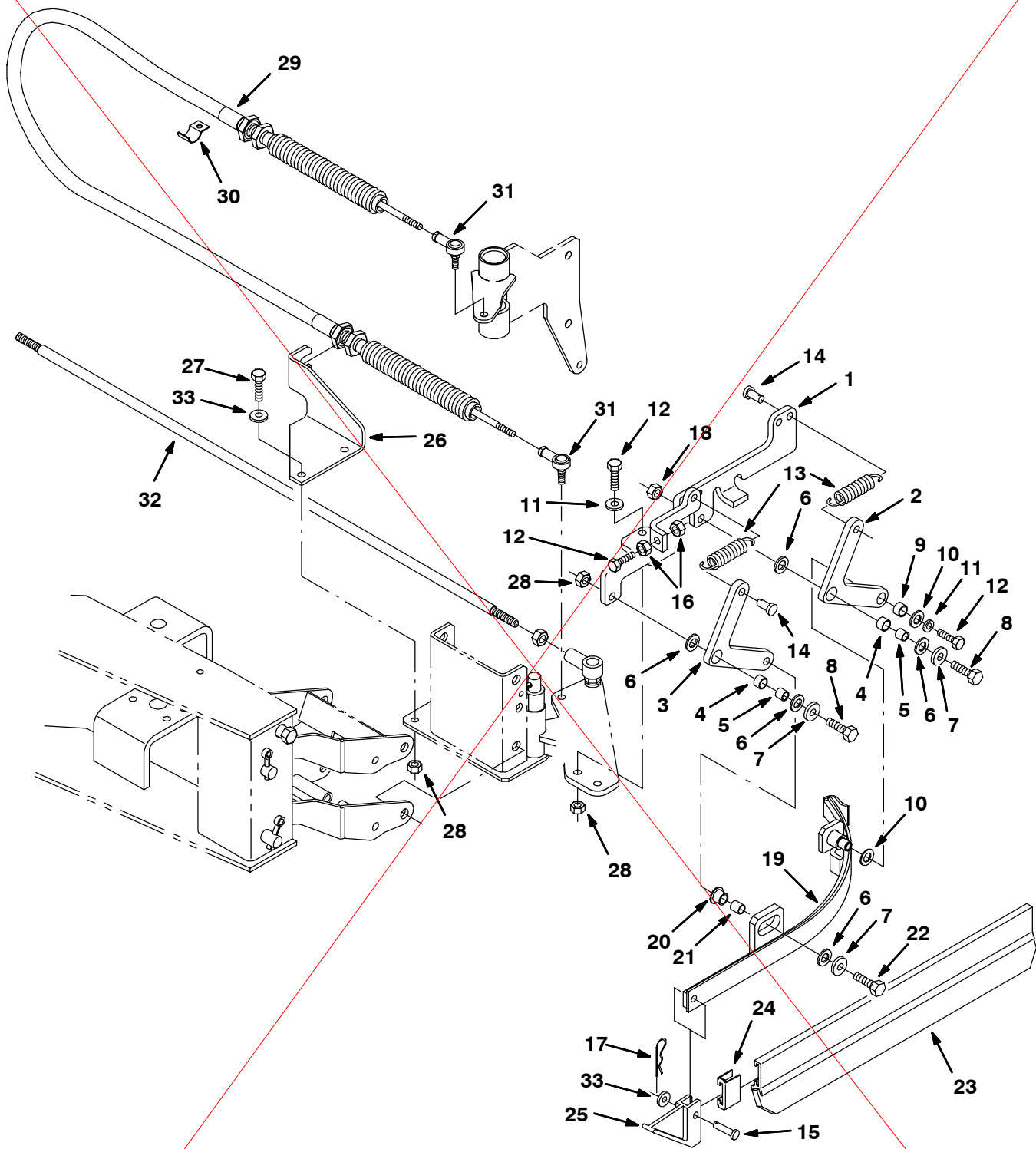


Fig. 87 - Scrub Right Side Squeegee Group

Ref.	Part No.	Serial Number	Description	Qty.
▽	84118	(000000-	) Squeegee Assy, Rh 8410	1
▲	1 83568	(000000-	) Bracket, Pivot, Sq Lift Rh	1
▲	2 83564	(000000-	) Arm, Squeegee Lift Rear	1
▲	3 83565	(000000-	) Arm, Squeegee Lift Front	1
▲	4 71608	(000000-	) Sleeve, Bearing .625Od X .515	2
▲	5 64425	(000000-	) Washer, .656B 1.25D .06	5
▲	6 01686	(000000-	) Washer Flt .38 Ss	4
▲	7 77347	(000000-	) Screw Hexssm10X1.5 35	2
▲	8 86860	(000000-	) Bearing, Thrust .500	2
▲	9 01685	(000000-	) Washer Flt .31 Ss	2
▲	10 09011	(000000-	) Scr Hexssm 8X1.25 30	2
▲	11 87816	(000000-	) Spring, Extension	3
▲	12 41305	(000000-	) Pin Clevis 0.37 Dia X 0.75 Lg	2
▲	13 07786	(000000-	) Nut Hx Ss M 8X1.25	2
▲	14 08714	(000000-	) Nut-Hxlocnyln M10X1.5 Reg 18-8	2
▲	15 84093	(000000-	) Frame Wldt, Squeegee Rh	1
▲	16 25730	(000000-	) Bearing, Flange .625B X .50	1
▲	17 25736AM	(000000-	) Tube, 0.62d 0.41b 0.6l, Ss, Cham	1
▲	18 12317	(000000-	) Scr Hexssm10X1.5 30	1
▲	19 72934	(000000-	) Blade Assy, Squeegee, Side, Rh	1
▲	20 86759	(000000-	) Retainer, Squeegee	1
▲	21 77333	(000000-	) Guide, Side Squeegee	1
▲	22 77331	(000000-	) Roller, Side Squeegee	1
▲	23 69582	(000000-	) Pin,Clevis,0.31 Dia X 1.00 Lg	1
▲	24 29558	(000000-	) Pin,Clevis,0.37 Dia.X 1.50 Lg	1
	25 71607	(000000-	) Bearing, .625B X .38	2
	26 64173AM	(000000-	) Bushing, Sleeve, 0.50b 0.59d 0.38l, Stl	1
	27 08085	(000000-	) Pin Hair Cotter .056Dx1.1L	1
	28 86866	(000000-	) Pin, Hair Cotter .375D .072Wir	1
	29 33123	(000000-	) Scr-Shld .50Odx0.75L .38-16	1
	30 41619	(000000-	) Washer Flt .50 Ss	1
	31 36643	(000000-	) Nut-Hxlocnyln .38-16 Thin Pltd	1
	32 48079	(000000-	) Bolt-Eye, .25-20Th .25B 1.4L	1
	33 41169	(000000-	) Nut, Hex, Lock, .25-20, NI, Ss	1
	34 32483	(000000-	) Washer, Flat, 0.25, Sae	1
	35 01686	(000000-	) Washer Flt .38 Ss	1

Fig. 88 - Scrub Left Side Squeegee Group



See insert for updated pages that show correct illustration and B/M for squeegee assemblies

Fig. 88 - Scrub Left Side Squeegee Group

Ref.	Part No.	Serial Number	Description	Qty.
	84116	(000000-	) Squeegee Assy, Lh 8410	1
1	83569	(000000-	) Bracket, Pivot, Sq Lift Lh	1
2	83564	(000000-	) Arm, Squeegee Lift Rear	1
3	83565	(000000-	) Arm, Squeegee Lift Front	1
4	71607	(000000-	) Bearing, .625B X .38	2
5	71608	(000000-	) Sleeve, Bearing .625Od X .515	2
6	64425	(000000-	) Washer, .656B 1.25D .06	5
7	01686	(000000-	) Washer Flt .38 Ss	3
8	77347	(000000-	) Screw Hexssm10X1.5 35	2
9	64173AM	(000000-	) Bushing, Sleeve, 0.50b 0.59d 0.38l, St	1
10	86860	(000000-	) Bearing, Thrust .500	2
11	01685	(000000-	) Washer Flt .31 Ss	3
12	09011	(000000-	) Scr Hexssm 8X1.25 30	4
13	87816	(000000-	) Spring, Extension	2
14	41305	(000000-	) Pin Clevis 0.37 Dia X 0.75 Lg	2
15	69582	(000000-	) Pin,Clevis,0.31 Dia X 1.00 Lg	1
16	07786	(000000-	) Nut Hx Ss M 8X1.25	2
17	86866	(000000-	) Pin, Hair Cotter .375D .072Wir	1
18	08714	(000000-	) Nut-Hxlocnyln M10X1.5 Reg 18-8	2
19	84092	(000000-	) Frame Wldt, Squeegee Lh	1
20	25730	(000000-	) Bearing, Flange .625B X .50	1
21	25736AM	(000000-	) Tube, 0.62d 0.41b 0.6l, Ss, Cham	1
22	12317	(000000-	) Scr Hexssm10X1.5 30	1
23	72934	(000000-	) Blade Assy, Squeegee, Side, Rh	1
24	86759	(000000-	) Retainer, Squeegee	1
25	86865	(000000-	) Guide, Side Squeegee	1
26	72864	(000000-	) Bracket, Support, Cable	1
27	09010	(000000-	) Scr Hexssm 8X1.25 25	2
28	08713	(000000-	) Nut-Hxlocnyln M 8X1.25 Reg Ss	4
29	72837	(000000-	) Cable, Push/Pull	1
30	15128-1	(000000-	) Clamp-Conduit, 1 Hole 0.50Dia	1
31	36466	(000000-	) Rod End .312-24 W/Stud	2
32	72838	(000000-	) Rod, Tie, Squeegee	1
33	01685	(000000-	) Washer Flt .31 Ss	2

See insert for updated pages that show  
correct illustration and B/M for squeegee assemblies

Fig. 88 - Scrub Left Side Squeegee Group

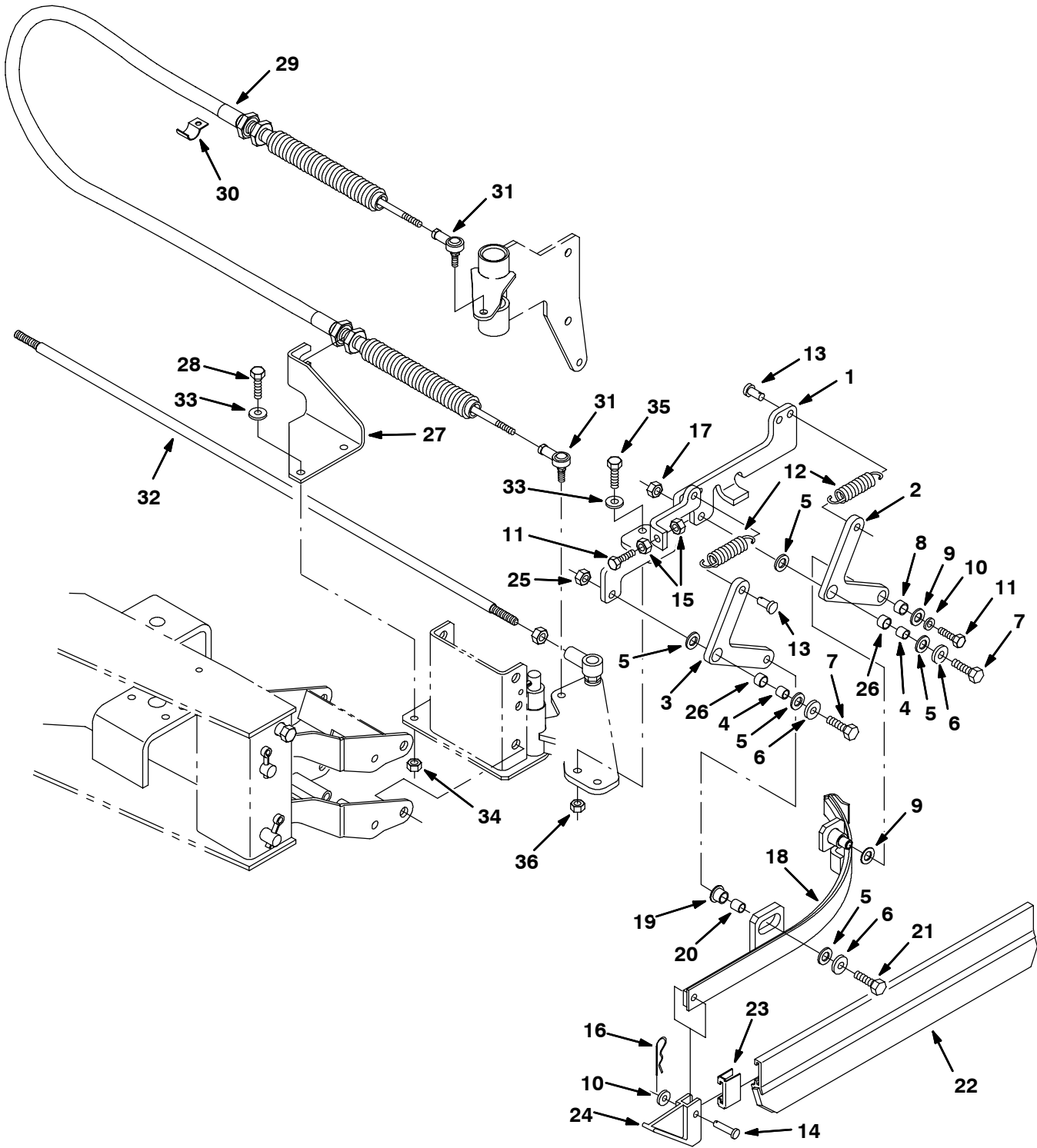




Fig. 88 - Scrub Left Side Squeegee Group

Ref.	Part No.	Serial Number	Description	Qty.
▽	84116	(000000-	) Squeegee Assy, Lh 8410	1
▲	1 83569	(000000-	) Bracket, Pivot, Sq Lift Lh	1
▲	2 83564	(000000-	) Arm, Squeegee Lift Rear	1
▲	3 83565	(000000-	) Arm, Squeegee Lift Front	1
▲	4 71608	(000000-	) Sleeve, Bearing .625Od X .515	2
▲	5 64425	(000000-	) Washer, .656B 1.25D .06	5
▲	6 01686	(000000-	) Washer Flt .38 Ss	3
▲	7 77347	(000000-	) Screw Hexssm10X1.5 35	2
▲	8 64173AM	(000000-	) Bushing, Sleeve, 0.50b 0.59d 0.38l, St	1
▲	9 86860	(000000-	) Bearing, Thrust .500	2
▲	10 01685	(000000-	) Washer Flt .31 Ss	2
▲	11 09011	(000000-	) Scr Hexssm 8X1.25 30	2
▲	12 87816	(000000-	) Spring, Extension	2
▲	13 41305	(000000-	) Pin Clevis 0.37 Dia X 0.75 Lg	2
▲	14 69582	(000000-	) Pin,Clevis,0.31 Dia X 1.00 Lg	1
▲	15 07786	(000000-	) Nut Hx Ss M 8X1.25	2
▲	16 86866	(000000-	) Pin, Hair Cotter .375D .072Wir	1
▲	17 08714	(000000-	) Nut-Hxlocnyln M10X1.5 Reg 18-8	2
▲	18 84092	(000000-	) Frame Wldt, Squeegee Lh	1
▲	19 25730	(000000-	) Bearing, Flange .625B X .50	1
▲	20 25736AM	(000000-	) Tube, 0.62d 0.41b 0.6l, Ss, Cham	1
▲	21 12317	(000000-	) Scr Hexssm10X1.5 30	1
▲	22 72934	(000000-	) Blade Assy, Squeegee, Side, Rh	1
▲	23 86759	(000000-	) Retainer, Squeegee	1
▲	24 86865	(000000-	) Guide, Side Squeegee	1
▲	25 08713	(000000-	) Nut-Hxlocnyln M 8X1.25 Reg Ss	2
	26 71607	(000000-	) Bearing, .625B X .38	2
	27 72864	(000000-	) Bracket, Support, Cable	1
	28 09010	(000000-	) Scr Hexssm 8X1.25 25	2
	29 72837	(000000-	) Cable, Push/Pull	1
	30 15128-1	(000000-	) Clamp-Conduit, 1 Hole 0.50Dia	1
	31 36466	(000000-	) Rod End .312-24 W/Stud	2
	32 72838	(000000-	) Rod, Tie, Squeegee	1
	33 01685	(000000-	) Washer Flt .31 Ss	4
	34 08713	(000000-	) Nut, Hex, Lock, M8 X 1.25, NI, Ss	2
	35 09011	(000000-	) Screw, Hex, M8 X 1.25 X 30, Ss	2
	36 07786	(000000-	) Nut, Hex, Std, M8 X 1.25, Ss	2

**Fig. 89 - Scrub Rear Squeegee Linkage Group**

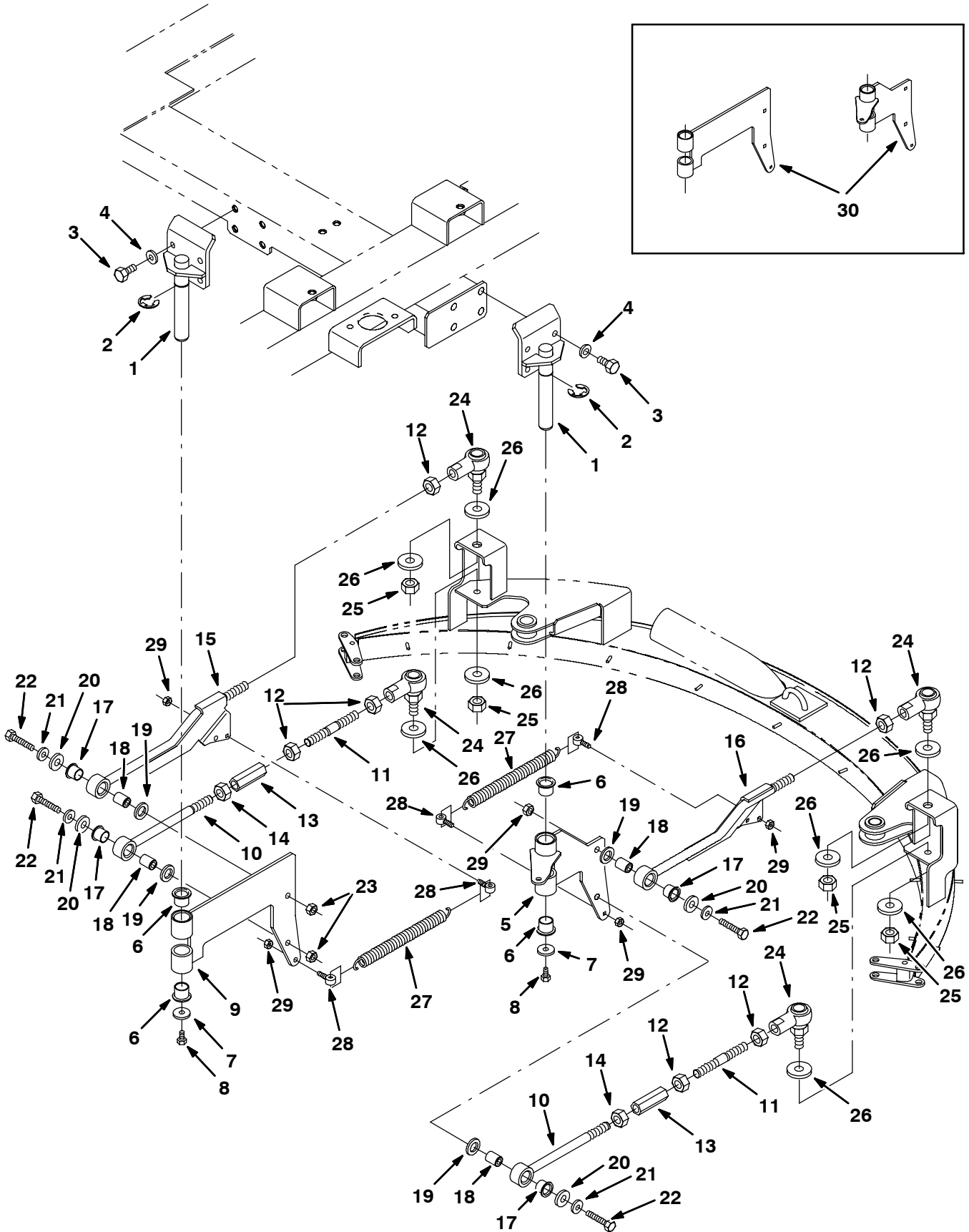


Fig. 89 - Scrub Rear Squeegee Linkage Group

Ref.	Part No.	Serial Number	Description	Qty.
1	72715	(000000-	) Pivot Wldt	2
2	23788	(000000-	) Ring,Retain,Ex,0.98Od,E-Ring	2
3	09028	(000000-	) Scr Hexssm 10X1.5 25	8
4	41187	(000000-	) Washer-Belleville .38 Pltd	8
5	385423	(012479-	) Link Wldt, Squeegee, Lh	1
6	54618AM	(000000-	) Bearing, Flange, 1.00 Bore	4
7	32662	(000000-	) Washer .380B 1.22D .06 Ss18-8	2
8	49826	(000000-	) Scr-Hexssm 8X1.25 16 Nylon Loc	2
9	385421	(012479-	) Link Wldt, Squeegee, Rh	1
10	73375	(000000-	) Arm Wldt, Bottom	2
11	77224	(000000-	) Arm	2
12	77276	(000000-	) Nut-Hx Jam .62-18	8
13	72919	(000000-	) Turnbuckle	2
14	77277	(000000-	) Nut-Hx Jam .62-18Left Ss18-8	2
15	73372	(000000-	) Arm Wldt, Top, Rh	1
16	77273	(000000-	) Arm Wldt, Top, Lh	1
17	72763	(000000-	) Bearing, Flange, .750 Bore	4
18	73370	(000000-	) Sleeve, .414B .74D .92 Stl	4
19	04846	(000000-	) Washer, Thrust	4
20	41619	(000000-	) Washer Flt .50 Ss	4
21	01686	(000000-	) Washer Flt .38 Ss	4
22	32731	(000000-	) Scr Hexssm10X1.5	4
23	08714	(000000-	) Nut-Hxlocnyln M10X1.5 Reg 18-8	4
24	77275	(000000-	) Balljoint, Rod End 5/8-18	4
25	40814	(000000-	) Nut-Hxlocnyln .62-18 Thin Pltd	4
26	32494	(000000-	) Washer Flt .62 Hard	8
27	46785-1	(000000-	) Sprng,Tens,0.87Odx.13Wire 9.0L	2
28	69998	(000000-	) Bolt-Eye, M 8X1.25 .328 1.18L	4
29	08713	(000000-	) Nut-Hxlocnyln M 8X1.25 Reg Ss	4
30	385427	(000000-012478 )	Kit, Replmt, Pivot, Squeegee	1

Fig. 90 - Scrub Rear Squeegee Lift Group

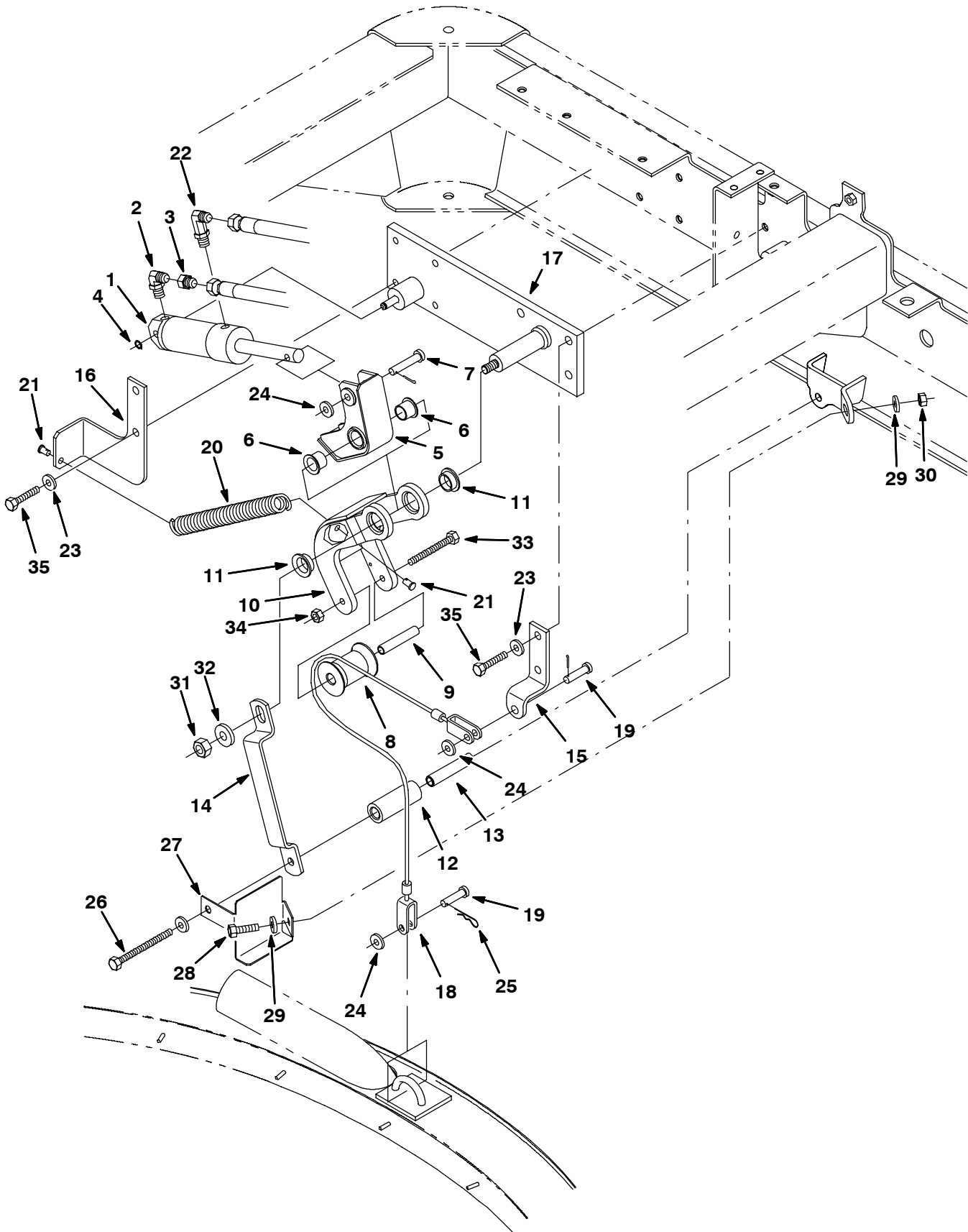


Fig. 90 - Scrub Rear Squeegee Lift Group

Ref.	Part No.	Serial Number	Description	Qty.
	1	73089	(000000- ) Cylinder, Hyd 1.5B 02.8S .2500	1
	2	77097	(000000- ) Ftg-Hyd E90 Jm04/Om04	1
	3	79447	(000000- ) Ftg-Hyd	1
	4	23524-1	(000000- ) Ring,Retain,Ex,0.37Od,Selflock	1
▽	5	83780	(000000- ) Bellcrank Kit, Upper	1
▲	6	56166	(000000- ) Bearing, Flange	2
	7	222260	(000000- ) Pin, Clevis, 0.37 Dia 2.25Lg	1
	8	83749	(000000- ) Roller, Thimble	1
	9	83756	(000000- ) Sleeve, Roller	1
▽	10	83781	(000000- ) Bellcrank Kit, Lower	1
▲	11	83733	(000000- ) Bearing, 1.00 Dia X .38 L	2
	12	23006	(000000- ) Sleeve, Roller	2
	13	23005	(000000- ) Sleeve, Roller	2
	14	23002	(000000- ) Bracket, Gusset, Rear	1
	15	72910	(000000- ) Bracket, Cable Clip	1
	16	23001	(000000- ) Bracket, Spring	1
	17	23004	(000000- ) Pin Wldt	1
	18	10542	(000000- ) Cable	1
	19	86240	(000000- ) Pin Clevis .375 Dia X 1.13 Lg	2
	20	23007	(000000- ) Spring, Extention	1
	21	41305	(000000- ) Pin Clevis 0.37 Dia X 0.75 Lg	2
	22	82825	(000000- ) Ftg-Hyd E90 Jm04/Om04	1
	23	41186	(000000- ) Washer-Belleville .31 Pltd	8
	24	01686	(000000- ) Washer Flt .38 Ss	3
	25	86866	(000000- ) Pin, Hair Cotter .375D .072Wir	1
	26	07819	(000000- ) Screw, Hex, M10 X 1.5 X 130, 8.8	1
	27	1014365	(000000- ) Shield, Tube, Plstc	1
	28	09010	(000000- ) Screw, Hex, M8 X 1.25 X 25, Ss	1
	29	01685	(000000- ) Washer, Flat, 0.31 Ss	2
	30	08713	(000000- ) Nut, Hex, Lock, M8 X 1.25, NI, Ss	1
	31	08711	(000000- ) Nut, Hex, Lock, M12 X 1.75,NI	1
	32	32493	(000000- ) Washer, Flat, 0.50 Std	1
	33	06959	(000000- ) Screw, Hex, M8 X 1.25 X 100, 8.8	1
	34	08713	(000000- ) Nut, Hex, Lock, M8 X 1.25, NI, Ss	1
	35	41342	(000000- ) Screw, Hex, M8 X 1.25 X 40, 8.8	6

Fig. 91 - Scrub Rear Squeegee Frame Group

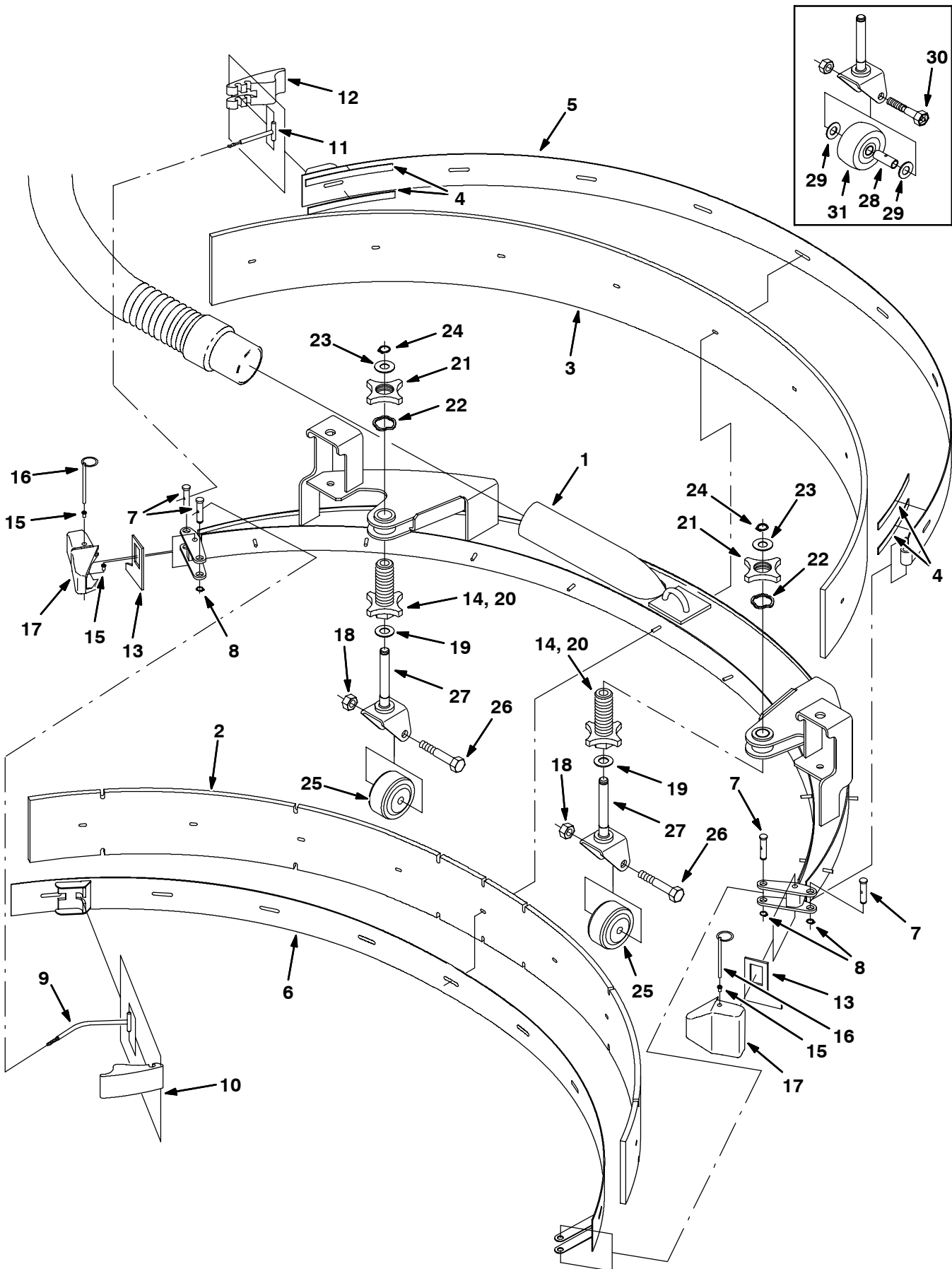


Fig. 91 - Scrub Rear Squeegee Frame Group

	Ref.	Part No.	Serial Number	Description	Qty.
▽		83992	(000000-	) Squeegee Kit, Replmt	1
▲	1	83800	(000000-	) Frame, Squeegee	1
▲	2	83809	(000000-	) Blade, Squeegee	1
▲	3	83810	(000000-	) Blade, Squeegee	1
▲	4	03495	(000000-	) Strip, Nonslip	4
▲	5	83804	(000000-	) Strip Wldt, Rear Retainer	1
▲	6	83801	(000000-	) Strip Wldt, Front Retainer	1
▲	7	21603	(000000-	) Pin	4
▲	8	24555	(000000-	) Ring, Retaining, External	4
▲	9	83794	(000000-	) Rod	1
▲	10	21601	(000000-	) Cam	1
▲	11	21606	(000000-	) Pin	1
▲	12	21602	(000000-	) Cam	1
▲	13	83874	(000000-	) Gasket	2
▲	14	77228	(000000-	) Knob, Adj	1
▲▽		21614	(000000-	) Kit, Bumper, Squeegee	1
▲▲	15	79219	(000000-	) Retainer	4
▲▲	16	71199	(000000-	) Pin, Hitch	2
▲▲	17	21586	(000000-	) Bumper, Squeegee	2
▽		78979	(000000-	) Kit, Caster, Squeegee	2
▲	18	02931	(000000-	) Nut, Hex, Lock, .50-13, NI, Ss	1
▲	19	07450	(000000-	) Bearing, Thrust	1
▲	20	77228	(000000-	) Knob, Adj	1
▲	21	77227	(000000-	) Knob, Jam	1
▲	22	79217	(000000-	) Washer	1
▲	23	77272	(000000-	) Washer	1
▲	24	01516	(000000-	) Ring, Retaining	1
▲	25	20833	(012216-	) Wheel, 3 Inch Dia	1
▲	26	81952	(012216-	) Screw	2
▲	27	84593	(000000-	) Pivot	1
	28	75050	(000000-012215	) Bushing, Spanner	2
	29	64425	(000000-012215	) Washer	4
	30	76943	(000000-012215	) Bolt	2
	31	10165	(000000-012215	) Wheel, 3 Inch Dia.	2

# STANDARD PARTS

Fig. 92 - Scrub Solution Control Group (000000-013311)

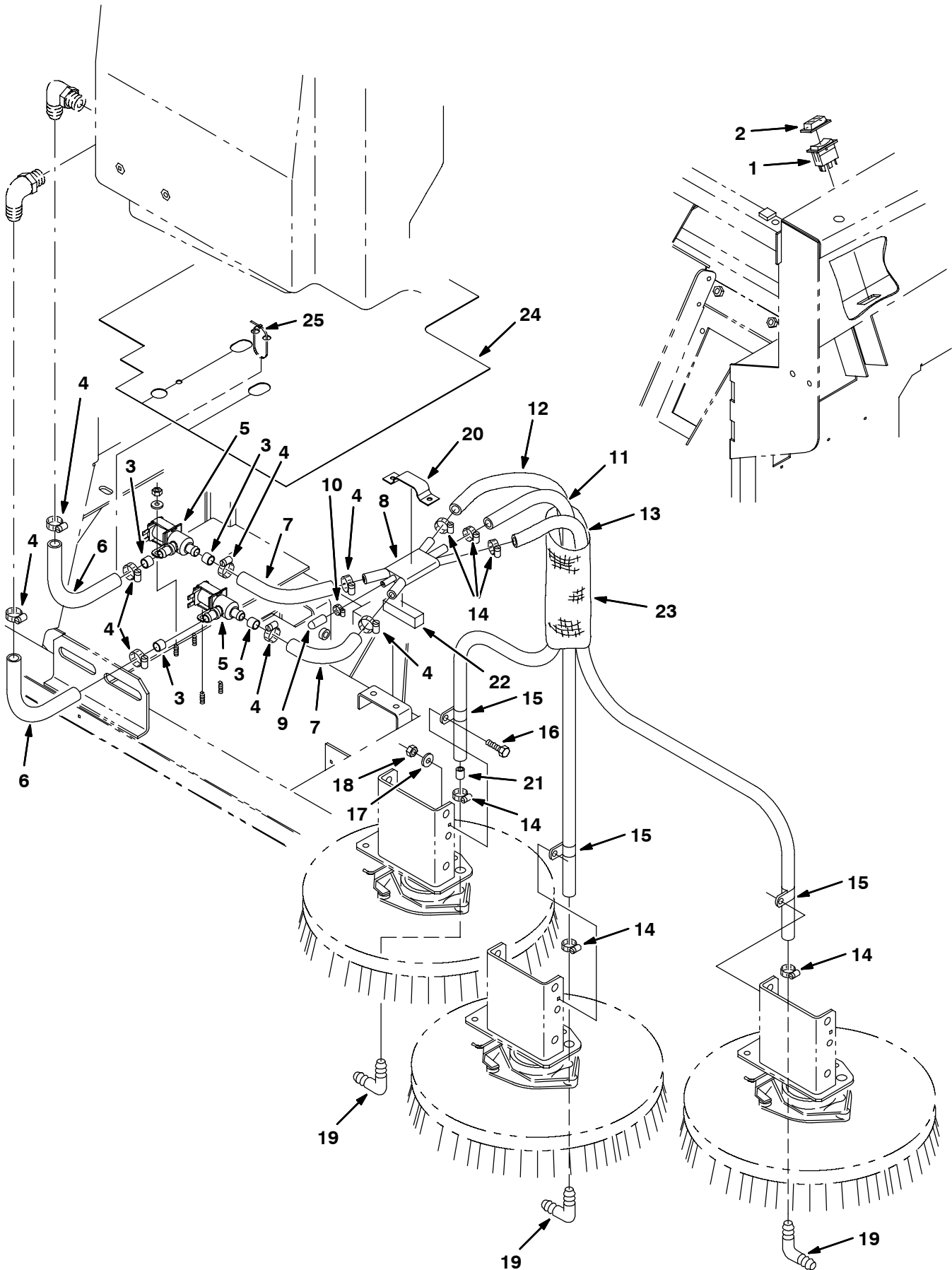




Fig. 92 - Scrub Solution Control Group (000000-013311)

Ref.	Part No.	Serial Number	Description	Qty.
1	71665	(000000-013311 )	Switch, Progressive	1
2	57807	(000000-013311 )	Cover, Rocker Switch Seal	1
3	84095	(000000-013311 )	Hose, Vin Clr .5ld .70D .5L	4
4	86824	(000000-013311 )	Clamp-Wormdrive 0.50-1.06D	8
5	369850	(000000-013311 )	Valve, Water, Sol. 12VOC	2
6	84140	(000000-013311 )	Hose, Vinyl	2
7	71425	(000000-013311 )	Hose,.62 ldx60.00 Lng Heater	2
8	83630	(000000-013311 )	Manifold, Water Distribution	1
9	20806	(000000-013311 )	Cap, Neoprene, Black	1
10	43844	(000000-013311 )	Clamp-Wormdrive, 0.25- 0.62D	1
11	84056	(000000-013311 )	Hose, Vin Wire .51D .70D 30.0L	1
12	65587	(000000-013311 )	Hose, Pvc, .50ldx.73Od 34.0Lg	1
13	84057	(000000-013311 )	Hose, Vin Wir .5ld .7Od 47.0L	1
14	54333	(000000-013311 )	Clamp-Wormdrive, 0.31- 0.88D	6
15	67767	(000000-013311 )	Clamp-Cable,.69Dia. 62Wth	3
16	09740	(000000-013311 )	Scr Hexssm 8X1.25	3
17	01685	(000000-013311 )	Washer Flt .31 Ss	3
18	08713	(000000-013311 )	Nut-Hxlocnyln M 8X1.25 Reg Ss	3
19	63987-1	(000000-013311 )	Ftg,Plstc,Elb,Barb.50Hs-.50Hse	3
20	84110	(000000-013311 )	Bracket, Mounting, Manifold Wa	1
21	77334	(000000-013311 )	Fitting, Plastic, Str,Ba.31ld-	1
22	84119	(000000-013311 )	Seal, Foam Rbr .8 .8 2.8L	1
23	84121	(000000-013311 )	Sleeve, Nyl See60150 #33 14.0L	1
24	374585	(012504-013311 )	Shield, Valve, Water (Replaced by 1021095)	1
25	49266	(012504-013311 )	Tie, Cable 1.75d Max 7.50lg	1

Fig. 93 - Scrub Solution Control Group (013312-014211)

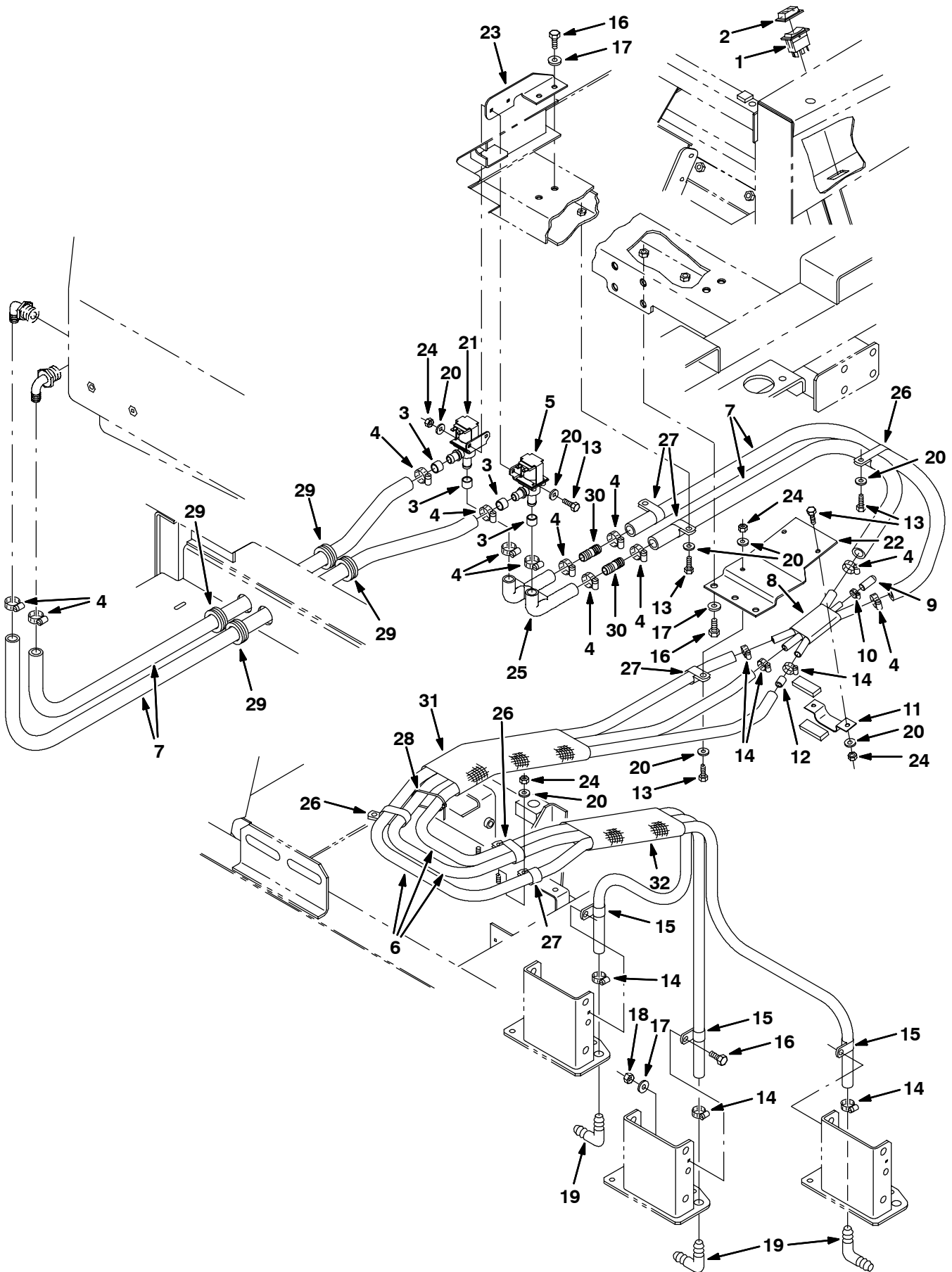


Fig. 93 - Scrub Solution Control Group (013312-014211)

Ref.	Part No.	Serial Number	Description	Qty.
1	71665	(013312-014211 )	Switch, Progressive	1
2	57807	(013312-014211 )	Cover, Rocker Switch Seal	1
3	84095	(013312-014211 )	Hose, Vin Clr .5Id .70D .5L	4
4	86824	(013312-014211 )	Clamp-Wormdrive 0.50-1.06D	12
5	369850	(013312-014211 )	Valve, Water, Sol. 12VOC	1
6	374701	(013312-014211 )	Hose, Pvc, Wir, 0.50id	3
7	374700	(013312-014211 )	Hose, Pvc, Brd, 0.62id	4
8	83630	(013312-014211 )	Manifold, Water Distribution	1
9	20806	(013312-014211 )	Cap, Neoprene, Black	1
10	43844	(013312-014211 )	Clamp-Wormdrive, 0.25- 0.62D	1
11	84110	(013312-014211 )	Bracket, Mtg, Manifold, Water	1
12	77334	(013312-014211 )	Fitting, Plastic, Str,Ba.31Id	1
13	08716	(013312-014211 )	Screw, Hex, M 6 X 1.0 X 20, Ss	8
14	54333	(013312-014211 )	Clamp-Wormdrive, 0.31- 0.88D	6
15	67767	(013312-014211 )	Clamp-Cable,.69Dia. 62Wth	3
16	09740	(013312-014211 )	Scr Hexssm 8X1.25 X 20	7
17	01685	(013312-014211 )	Washer Flt .31 Ss	7
18	08713	(013312-014211 )	Nut-Hxlocnyln M 8X1.25 Reg Ss	3
19	63987-1	(013312-014211 )	Ftg,Plstc,Elb,Barb.50Hs-.50Hse	3
20	01684	(013312-014211 )	Washer, Flat, 0.25 Ss	14
21	374704	(013312-014211 )	Valve, Solenoid, Water Flow, 12vdc	1
22	374712	(013312-014211 )	Bracket, Mtg, Manifold, Soltn	1
23	374724	(013312-014211 )	Bracket, Mtg, Valve, Soltn	1
24	08708	(013312-014211 )	Nut, Hex, Lock, M 6 X 1.0, NI	8
25	1001303	(013312-014211 )	Manifold, Soltn Cntrl	1
26	09570	(013312-014211 )	Clamp, Cable, Stl, 0.9x1.8x0.62w, 1h	3
27	69234	(013312-014211 )	Clamp, Cable, Stl, 1.00d X 0.62w, 1h	5
28	49266	(013312-014211 )	Tie, Cable, Nyl, 07.3l .19w 1.8 Max D	1
29	10632-1	(013312-014211 )	Grommet, Rbr, 1.06id, F/ 1.4h, .19matl	4
30	365164	(013312-014211 )	Fitting, Plstc, Str, Bm10/Bm10	2
31	57224	(013312-014211 )	Sleeve, Nyl, #37 16.0l	1
32	84121	(013312-014211 )	Sleeve, Nyl, #33 14.0l	1

Fig. 94 - Scrub Solution Control Group (014212- )

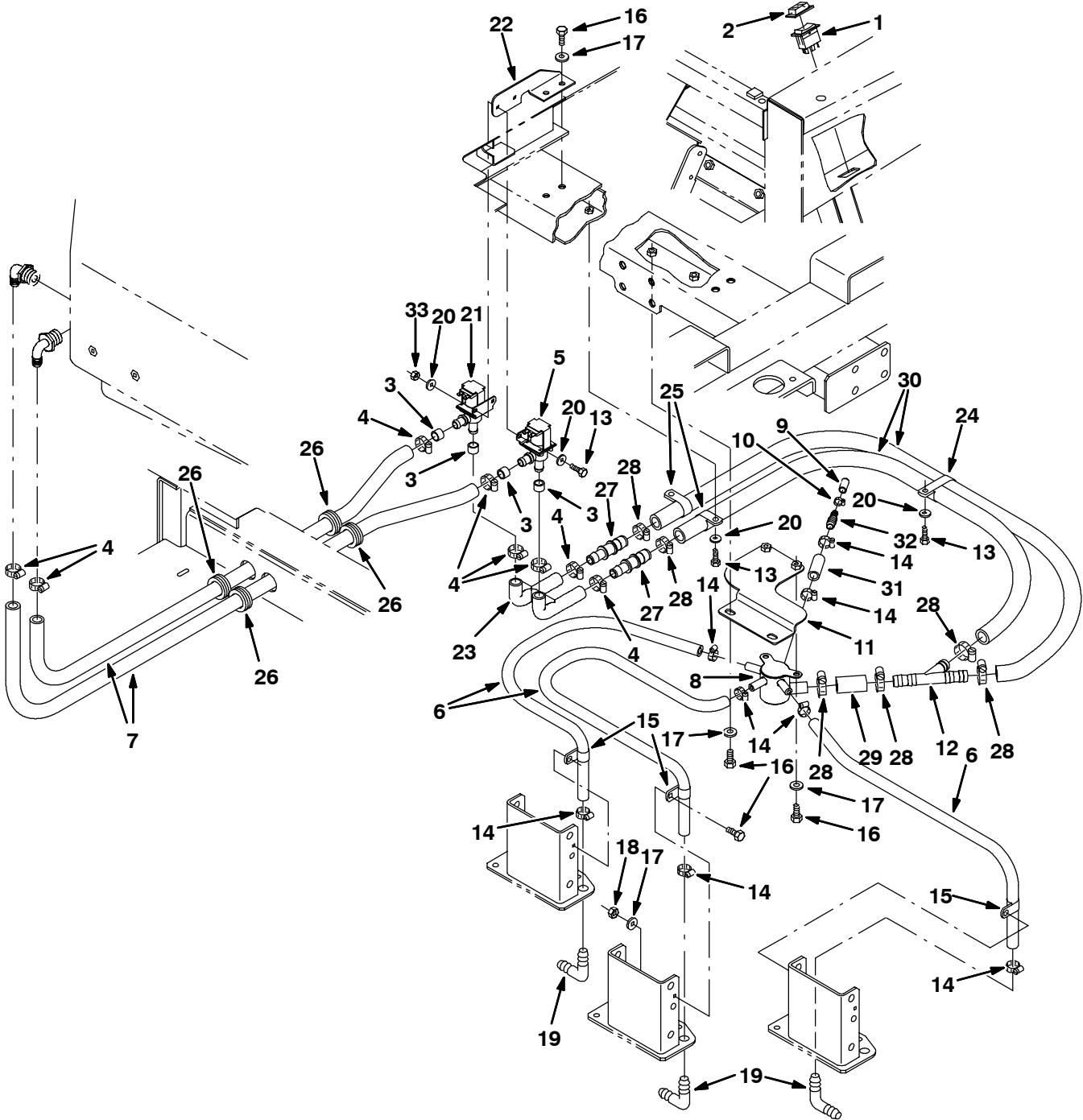


Fig. 94 - Scrub Solution Control Group (014212- )

Ref.	Part No.	Serial Number	Description	Qty.
1	71665	(014212-	) Switch, Progressive	1
2	57807	(014212-	) Cover, Rocker Switch Seal	1
3	84095	(014212-	) Hose, Vin Clr .5Id .70D .5L	4
4	86824	(014212-	) Clamp-Wormdrive 0.50-1.06D	8
5	369850	(014212-	) Valve, Water, Sol. 12VOC	1
6	1024237	(014212-	) Hose, Pvc, Wir, 0.50id	3
7	1015032	(014212-	) Hose, Pvc, Brd, 0.62id	1
8	1023491	(014212-	) Manifold, Water Distribution	1
9	20806	(014212-	) Cap, Neoprene, Black	1
10	43844	(014212-	) Clamp-Wormdrive, 0.25- 0.62D	1
11	1022148	(014212-	) Bracket, Mtg, Manifold, Water	1
12	393255	(014212-	) Fitting, Plastic, Str,Ba.31Id	1
13	08716	(014212-	) Screw, Hex, M 6 X 1.0 X 20, Ss	5
14	54333	(014212-	) Clamp-Wormdrive, 0.31- 0.88D	8
15	67767	(014212-	) Clamp-Cable,.69Dia. 62Wth	3
16	09740	(014212-	) Scr Hexssm 8X1.25 X 20	9
17	01685	(014212-	) Washer Flt .31 Ss	9
18	08713	(014212-	) Nut-Hxlocnyln M 8X1.25 Reg Ss	3
19	63987-1	(014212-	) Ftg,Plstc,Elb,Barb.50Hs-.50Hse	3
20	01684	(014212-	) Washer, Flat, 0.25 Ss	7
21	374704	(014212-	) Valve, Solenoid, Water Flow, 12vdc	1
22	374724	(014212-	) Bracket, Mtg, Valve, Soltn	1
23	1001303	(014212-	) Manifold, Soltn Cntrl	1
24	67366	(014212-	) Clamp, Cable, Stl, 1.0x2.0x0.62w, 1h	1
25	53466	(014212-	) Clamp, Cable, Stl, 1.50d X 1.00w, 1h	2
26	10632-1	(014212-	) Grommet, Rbr, 1.06id, F/ 1.4h, .19matl	4
27	363543	(014212-	) Fitting, Plstc, Str, Bm10/Bm10	2
28	11399	(014212-	) Clamp, Hose, Wormdrive, 0.81-1.50d, .56w	6
29	1015048	(014212-	) Hose, Afmkt, Pvc, Brd 0.75id 1ft	1
30	1006410	(014212-	) Hose, Afmkt, Pvc, Brd 0.75id 3ft	2
31	1024020	(014212-	) Hose, Afmkt, Pvc, Wir, 0.50 Id 1ft	1
32	222375	(014212-	) Fitting, Plstc, Str, Bm06/Bm08	1
33	08708	(014212-	) Nut, Hex, Lock, M6 X 1.0, NI	2

Fig. 95 - Scrub Solution Tank Group

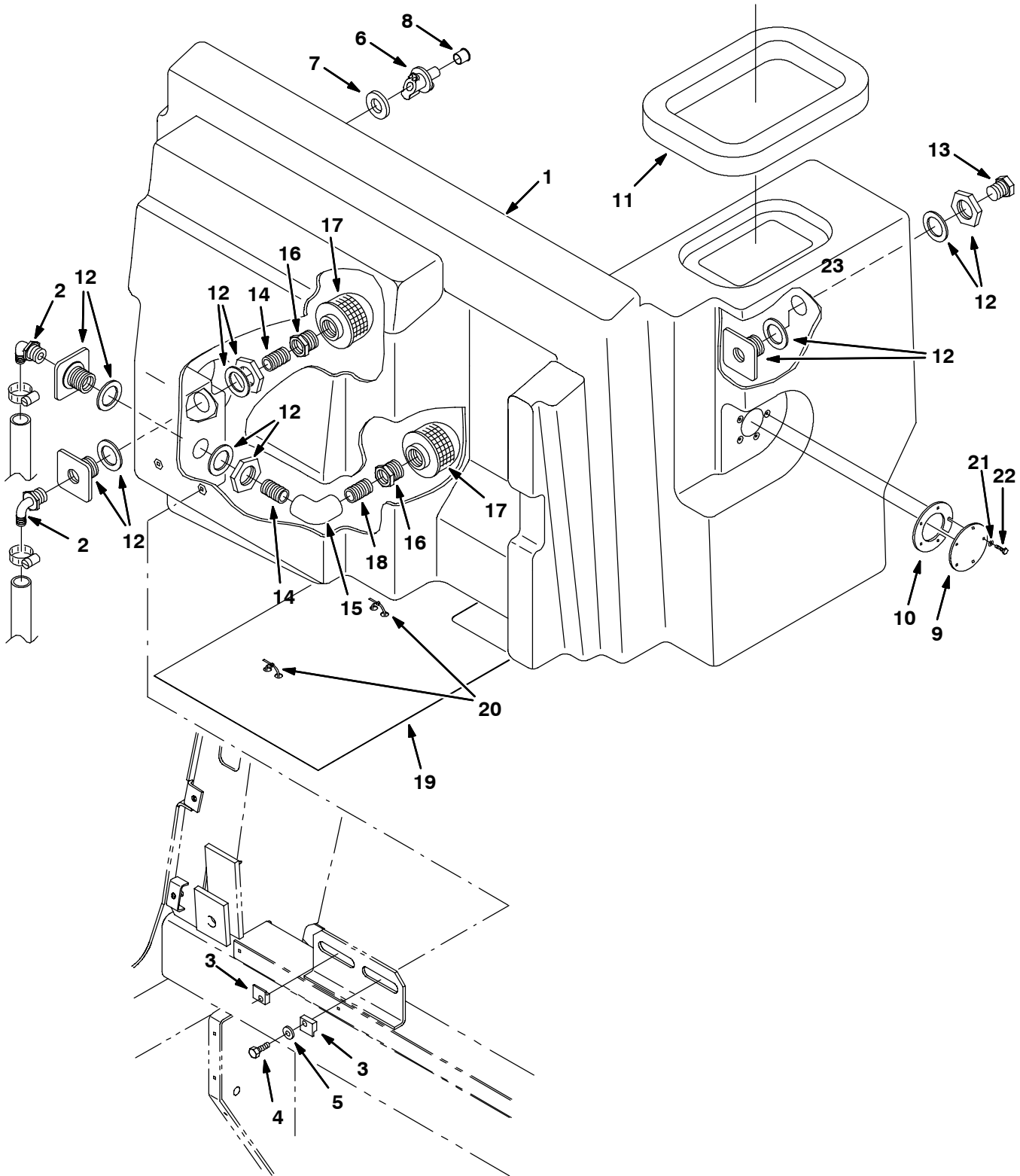


Fig. 95 - Scrub Solution Tank Group

Ref.	Part No.	Serial Number	Description	Qty.
1	73034	(000000-	) Tank, Solution, W/Label	1
2	73468	(000000-	) Fitting-Pls E90	2
3	73142	(000000-	) Clamp, Mtg, Tank	2
4	12273	(000000-	) Scr-Hexssm 8X1.25 20 Nyloloc	4
5	01685	(000000-	) Washer Flt .31 Ss	4
6	78840	(000000-	) Valve, Check	1
7	73342	(000000-	) Gasket, Check Valve	1
8	78740	(000000-	) Plug, Cap, Check Valve	1
9	86755	(000000-	) Cap, Plate	1
10	86591	(000000-	) Gasket	1
11	83872	(000000-	) Gasket, Tank	1
12	77343	(000000-	) Fitting-Plastic Str Blkhd 12Pf	3
13	75611	(000000-	) Ftg-Plug Npt 12Pm Rd Hd Plstc.	1
14	69784	(000000-	) Ftg,Plstc,Nip. 0.75Ptx 1.68Lg	3
15	23271	(000000-	) Ftg-Plstc E90 12Pf/12Pf	1
16	20811	(000000-	) Fitting, Plastic Str 12Pf/16Pm	2
17	20810	(000000-	) Strainer, Screen,Solution Tank	2
18	385665	(000000-	) Fitting-Plastic Str.	1
19	1021095	(012504-	) Shield, Water Valve	1
20	49266	(012504-	) Tie, Cable 1.75d Max 7.50lg	2
21	32980	(000000-	) Washer, Lock, Int, #10	5
22	06933	(000000-	) Screw, Pan, M5 X 0.8 X 16, 4.8	5

Fig. 96 - Scrub Recovery Tank Group

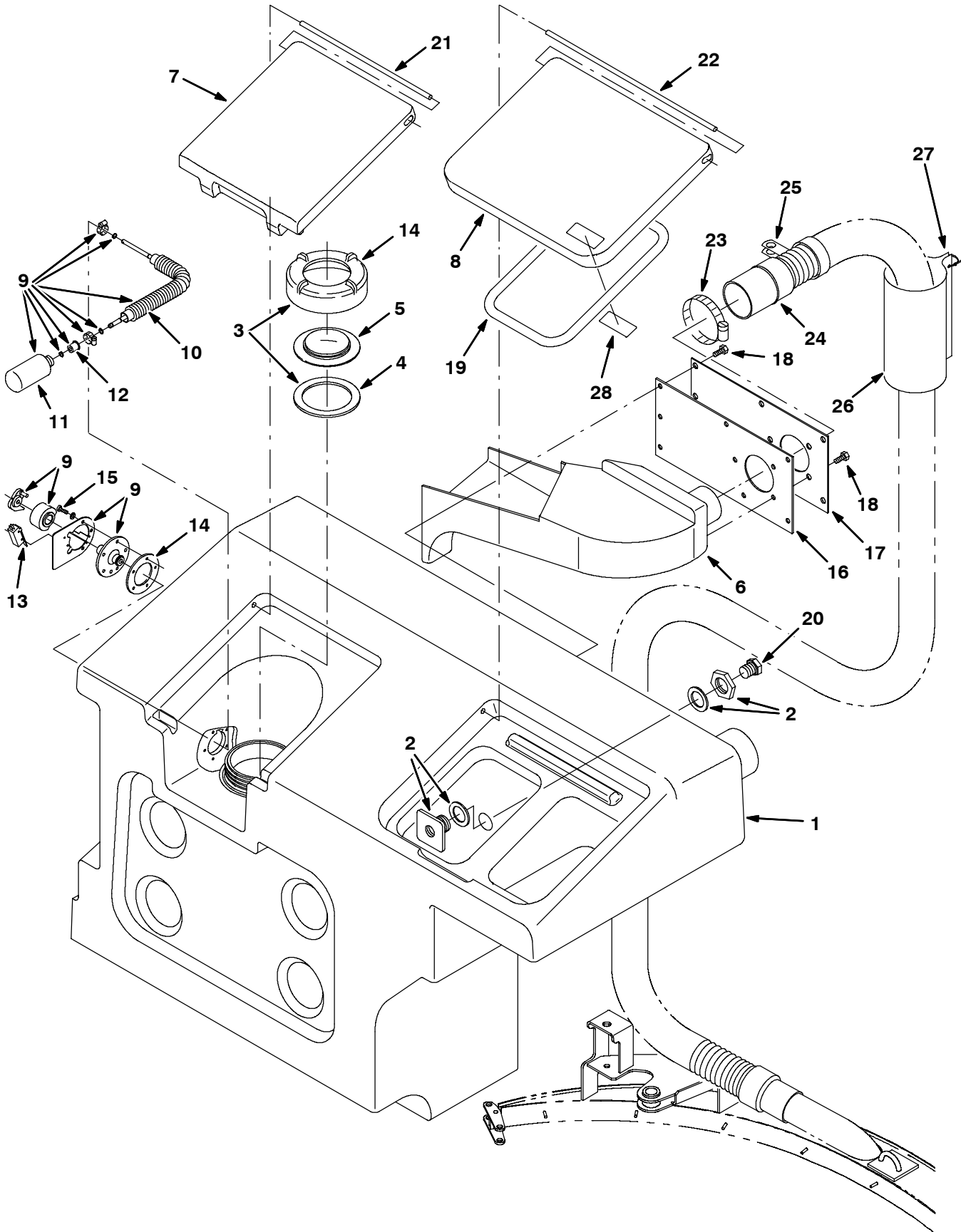




Fig. 96 - Scrub Recovery Tank Group

Ref.	Part No.	Serial Number	Description	Qty.
	1	23090	(000000- ) Tank Recovery	1
	2	77343	(000000- ) Fitting-Plastic Str Blkhd 12Pf	1
▽	3	24358	(000000- ) Cap Tank	1
▲	4	1031699	(000000- ) Gasket, 4.05id 5.29od .19 [Buna]	1
	5	86636	(000000- ) Cover Lid	1
	6	23089	(000000- ) Tank, De-Mister	1
	7	23088	(000000- ) Cover, Tank, Recovery Es	1
	8	23087	(000000- ) Cover, Tank, Recovery W/Label	1
▽	9	73147	(000000- ) Level Sensing Assy	1
▲	10	73145	(000000- ) Bellows, .75 Id 10.3L	1
▲	11	50238	(000000- ) Float Bottle	1
▲	12	50256	(000000- ) Plug, Float	1
	13	1008142	(000000- ) Switch, Snap Actn, 250vdc 25a Spdt	1
	14	86591	(000000- ) Gasket	1
	15	06933	(000000- ) Scr Pan M5X0.8 16	5
	16	83847	(000000- ) Gasket, De-Mister	1
	17	83724	(000000- ) Plate, Mtg, De-Mister	1
	18	12275	(000000- ) Scr-Hexssm 8X1.25 20 Nyloloc	10
	19	20922	(000000- ) Seal, Tube, Silicone	1
	20	75611	(000000- ) Ftg-Plug Npt 12Pm Rd Hd Plstc.	1
	21	83812	(000000- ) Bar, Rnd Plstc .375D 14.62L	1
	22	83811	(000000- ) Bar, Rnd Plstc .375D 14.62	1
	23	23498	(000000- ) Clamp-Wormdrive, 3.56-4.50D	1
	24	9003054	(000000- ) Hose Kit, Vacuum, Replmt [8410]	1
	25	34312	(000000- ) Clamp-Cable 3.00D 1.00W Stl (Diesel only)	1
	26	1015136	(014000- ) Flap, Protector	1
	27	49266	(014000- ) Tie, Cable, Nyl, 07.3l .19w 1.8 Max D	3
	28	391451	(014215- ) Label, Attention Fast Users 5400s	1

Fig. 97 - Scrub Solution and Recovery Tank Drain Group

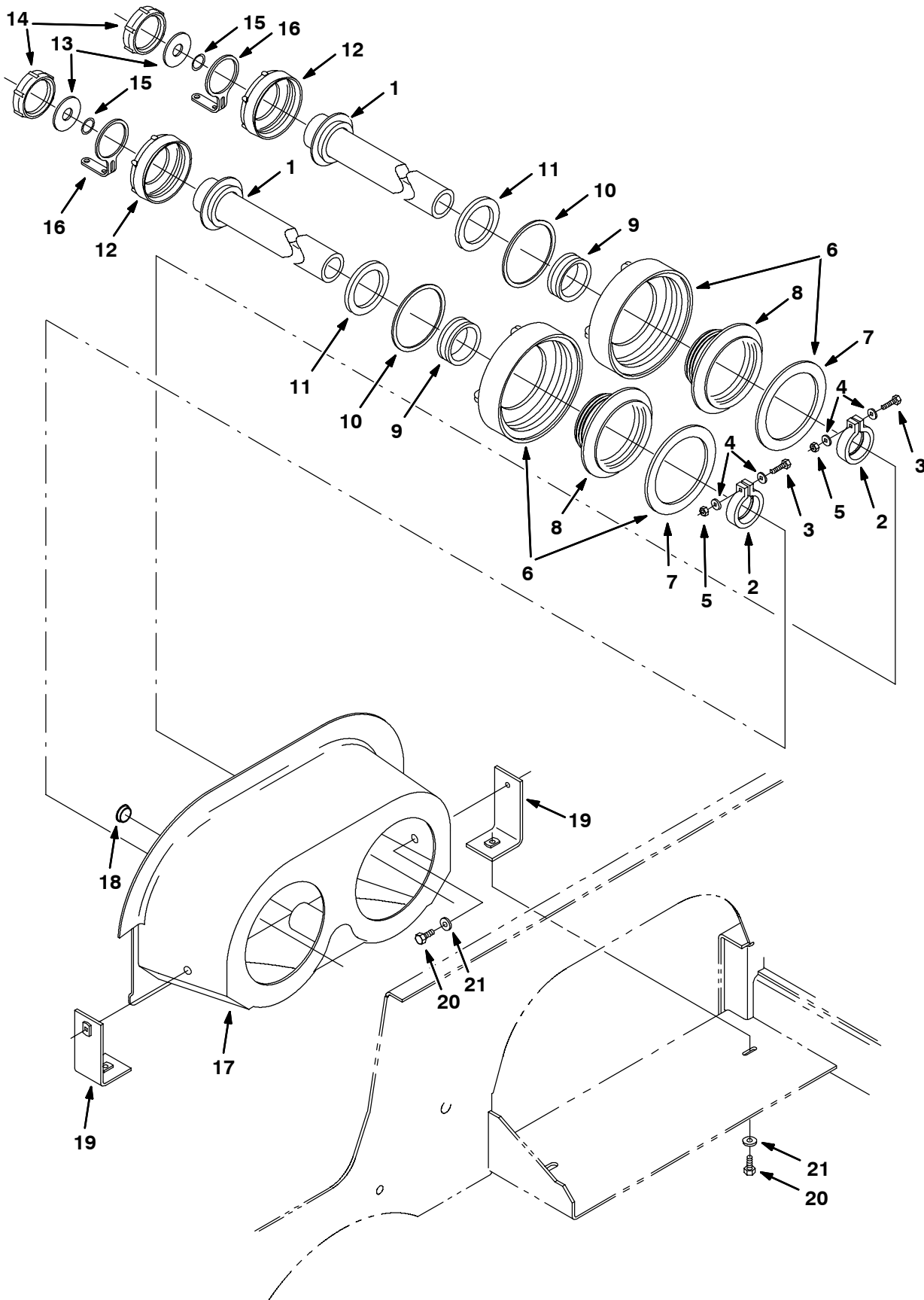


Fig. 97 - Scrub Solution and Recovery Tank Drain Group

Ref.	Part No.	Serial Number	Description	Qty.	
1	73149	(000000-	) Hose Assy, Drain	2	
2	41454	(000000-	) Clamp, Hose	2	
3	12316	(000000-	) Scr Hexssm 5X0.8 25	2	
4	01683	(000000-	) Washer Fit 10 Ss	4	
5	09739	(000000-	) Nut-Hxlocnyln M 5X0.8 Reg 18-8	2	
▽	6	24358	(000000-	) Cap Tank	2
▲	7	1031699	(000000-	) Gasket, 4.05id 5.29od .19 [Buna]	2
	8	14864	(000000-	) Cover, Insert	2
	9	41421	(000000-	) Seal, Hose	2
	10	79320	(000000-	) Gasket, Drain Cap	2
	11	41451	(000000-	) Gasket Lid	2
	12	14880	(000000-	) Cap, Drain Hose	2
	13	32614	(000000-	) Gasket Cap	2
	14	32613	(000000-	) Cap Drain	2
	15	32669	(000000-	) Ring Retain Ex, 0.75D	2
	16	32508	(000000-	) Strap Cap Retainer	2
	17	10679	(000000-	) Cover, Cleanout	1
	18	55035	(000000-	) Plug, Hole, Rnd, 1.00h .00-.17, Blk Nyl	1
	19	77234	(000000-	) Bracket	2
	20	15678	(000000-	) Screw Hexssm 6X1.0	4
	21	01684	(000000-	) Washer Fit .25 Ss	4

**Fig. 98 - FaST Solution Pump Group (014215- )**

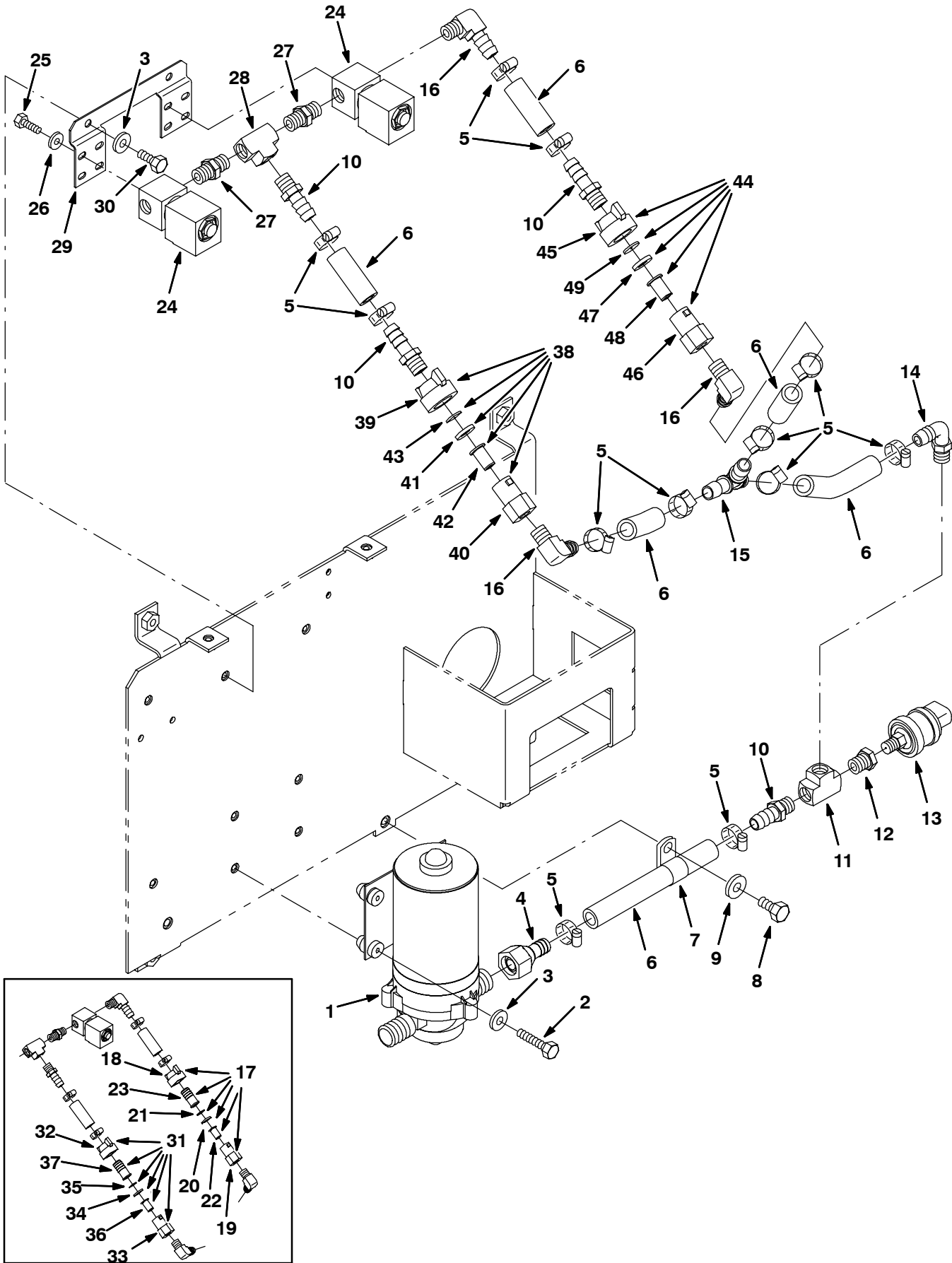


Fig. 98 - FaST Solution Pump Group (014215- )

Ref.	Part No.	Serial Number	Description	Qty.	
1	1030878	(014215-	) Pump, Soltn, Ele, 12vdc [W/O Chk Valve]	1	
2	07805	(014215-	) Screw, Hex, M6 X 1.0 X 35, Ss	4	
3	01684	(014215-	) Washer, Flat, 0.25 Ss	6	
4	1018495	(014215-	) Fitting, Plstc, Str, Swivel, Pf08s/Bm08	1	
5	54333	(014215-	) Clamp, Hose, Wormdrive, 0.31-0.88d, .31w	12	
6	1024020	(014215-	) Hose, Afrmkt, Pvc, Wir, 0.50 Id 1ft	6	
7	07471	(014215-	) Clamp, Cable, Stl, 0.75d X 0.75w, 1h	1	
8	15675	(014215-	) Screw, Hex, M8 X 1.25 X 16, Ss	1	
9	01685	(014215-	) Washer, Flat, 0.31 Ss	1	
10	1010775	(014215-	) Fitting, Plstc, Str, Bm08/Pm04 Nyl	4	
11	398474	(014215-	) Fitting, Brs, Tee, Pf04/Pf04/Pf04	1	
12	150100	(014215-	) Fitting, Brs, Str, Pf02/Pm04	1	
13	1028582	(014215-	) Switch, Press, 10psi, Spst	1	
14	1010713	(014215-	) Fitting, Plstc, E90, Bm08/Pm04 Nyl	1	
15	1010668	(014215-	) Fitting, Plstc, Y, Bm08/Bm08/Bm08 Nyl	1	
16	1010836	(014215-	) Fitting, Brs, E90, Pm04/Bm08	3	
▽	17	1018467	(014215-014329 ) Fitting Assy, Cap, 0.093b, Pf04/Bm08 (Repl. by 9002439)	1	
▲	18	1014532	(014215-014329 ) Fitting, Plstc, Cap, Spray, Pf04	1	
▲	19	1005507	(014215-014329 ) Fitting, Plstc, Body, Spray, Pf04	1	
▲	20	1005508	(014215-014329 ) Washer, Flat, 0.34b 0.75d .12, Viton	1	
▲	21	1018884	(014215-014329 ) Plate, Orifice, 0.093id	1	
▲	22	1006447	(014215-014329 ) Screen, 50 Mesh, Ss	1	
▲	23	1014473	(014215-014329 ) Fitting, Brs, Flng, Bm08	1	
	24	1018098	(014215-	) Valve, Water, 12vdc, 6.0mm, 04pf	2
	25	09252	(014215-	) Screw, Hex, M5 X 0.8 X 20, 8.8	4
	26	19066	(014215-	) Washer, Flat, #10	4
	27	398468	(014215-	) Fitting, Brs, Str, Pm04/Pm04	2
	28	398474	(014215-	) Fitting, Brs, Tee, Pf04/Pf04/Pf04	1
	29	1021231	(014215-	) Bracket, Mtg, Sol Valve [8400]	1
	30	11329	(014215-	) Screw, Hex, M6 X 1.0 X 16, Ss, NI	2
▽	31	1018533	(014215-014329 ) Fitting Assy, Cap, 0.070b, Pf04/Bm08 (Repl. by 9002438)	1	
▲	32	1014532	(014215-014329 ) Fitting, Plstc, Cap, Spray, Pf04	1	
▲	33	1005507	(014215-014329 ) Fitting, Plstc, Body, Spray, Pf04	1	
▲	34	1005508	(014215-014329 ) Washer, Flat, 0.34b 0.75d .12, Viton	1	
▲	35	1018883	(014215-014329 ) Plate, Orifice, 0.070id	1	
▲	36	1006447	(014215-014329 ) Screen, 50 Mesh, Ss	1	
▲	37	1014473	(014215-014329 ) Fitting, Brs, Flng, Bm08	1	
▽	38	1030864	(014330-	) Fitting Assy, Orifice, 0.070b, Pf04/Pf04	1
▲	39	1005506	(014330-	) Fitting, Plstc, Cap, Spray, Pf04	1
▲	40	1005507	(014330-	) Fitting, Plstc, Body, Spray, Pf04	1
▲	41	1005508	(014330-	) Washer, Flat, 0.34b 0.75d .12 [Viton]	1
▲	42	1006447	(014330-	) Vr, Filter, Screen, 50 Mesh .59d .8l Ss	1
▲	43	1018883	(014330-	) Plate, Orifice, 0.070id	1
▽	44	1030863	(014330-	) Fitting Assy, Orifice, 0.093b, Pf04/Pf04	1
▲	45	1005506	(014330-	) Fitting, Plstc, Cap, Spray, Pf04	1
▲	46	1005507	(014330-	) Fitting, Plstc, Body, Spray, Pf04	1
▲	47	1005508	(014330-	) Washer, Flat, 0.34b 0.75d .12 [Viton]	1
▲	48	1006447	(014330-	) Vr, Filter, Screen, 50 Mesh .59d .8l Ss	1
▲	49	1018884	(014330-	) Plate, Orifice, 0.093id	1

Fig. 99 - FaST Air Pump and Detergent Group (014215- )

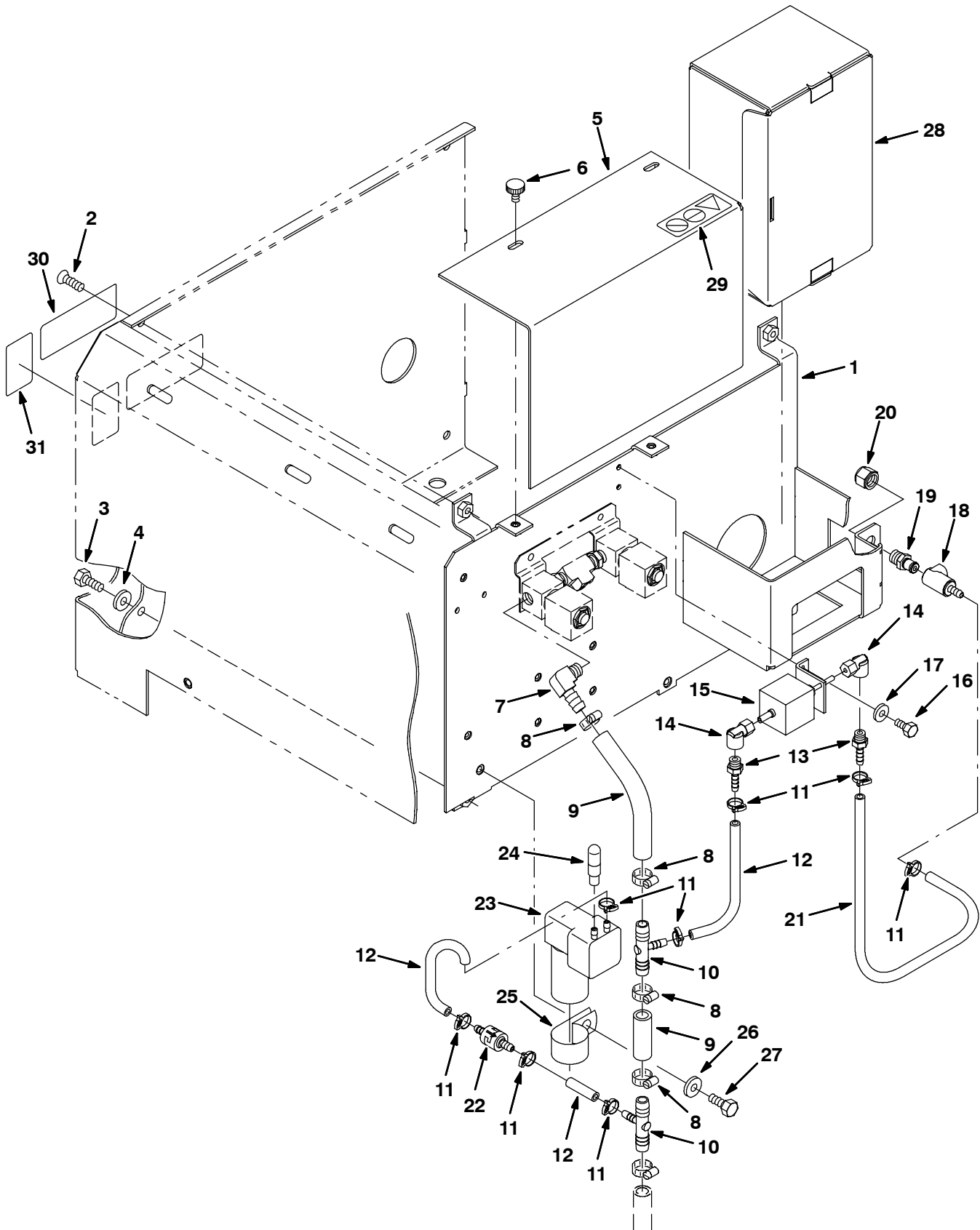


Fig. 99 - FaST Air Pump and Detergent Group (014215- )

Ref.	Part No.	Serial Number	Description	Qty.
1	1019886	(014215-	) Bracket Wldt, Pump [8400 Fast]	1
2	32129	(014215-	) Screw, Flt, M8 X 1.25 X 20, 10.9	2
3	12273	(014215-	) Screw, Hex, M8 X 1.25 X 20, Ss, NI	2
4	01685	(014215-	) Washer, Flat, 0.31 Ss	2
5	1020250	(014215-	) Cover, Instr, Panel [8400]	1
6	603012	(014215-	) Knob, Rnd, 19d, Plstic, M6x12 Stud -Zn	2
7	1010836	(014215-	) Fitting, Brs, E90, Pm04/Bm08	1
8	54333	(014215-	) Clamp, Hose, Wormdrive, 0.31-0.88d, .31w	4
9	1024020	(014215-	) Hose, Afmkt, Pvc, Wir, 0.50 Id 1ft	1
10	1010684	(014215-	) Fitting, Plstc, Tee, Bm08/Bm04/Bm08	2
11	1014575	(014215-	) Clamp, Hose, Plstc .351-.394 Id	8
12	1014987	(014215-	) Hose, Afmkt, Pvc, Clr 0.25id 1ft	3
13	150525	(014215-	) Fitting, Brs, Str, Pm02/Bm04	2
14	1014082	(014215-	) Fitting, Brs, E90, Cf03/Pf02	2
15	1018097	(014215-	) Pump, Detgt, 12vdc [560s]	1
16	11635	(014215-	) Screw, Hex, M6 X 1.0 X 12, Ss, NI	2
17	41579	(014215-	) Washer, Flat, #8, Ss	2
18	1002898	(014215-	) Fitting, Plstc, Str, Bm04, Cplg, Fem	1
19	1002899	(014215-	) Fitting, Plstc, Str, Pm04, Cplg, Mal	1
20	1005435	(014215-	) Fitting, Plstc, Pipe, Cap, Pf04	1
21	1014986	(014215-	) Hose, Afmkt, Pvc, Clr 0.25id 2ft	1
22	1013902	(014215-	) Valve, Check, 2gpm 2psi Bm04/Bm04	1
23	1018780	(014215-	) Pump, Air, Ele, 12vdc	1
24	1005255	(014215-	) Filter Assy, Air, Molded Ure	1
25	53466	(014215-	) Clamp, Cable, Stl, 1.50d X 1.00w, 1h	1
26	32491	(014215-	) Washer, Flat, 0.31 Std	1
27	09010	(014215-	) Screw, Hex, M8 X 1.25 X 25, Ss	1
28	1021878	(014215-	) Detergent Pkg, 4 Liter, Sgl [Tco 665]	1
29	391451	(014215-	) Label, Attention Fast Users 5400s	1
30	1005416	(014215-	) Label [Fast]	1
31	1015012	(014215-	) Label [Nfsi Certification]	1

Fig. 100 - FaST Foam Filter Group (014215- )

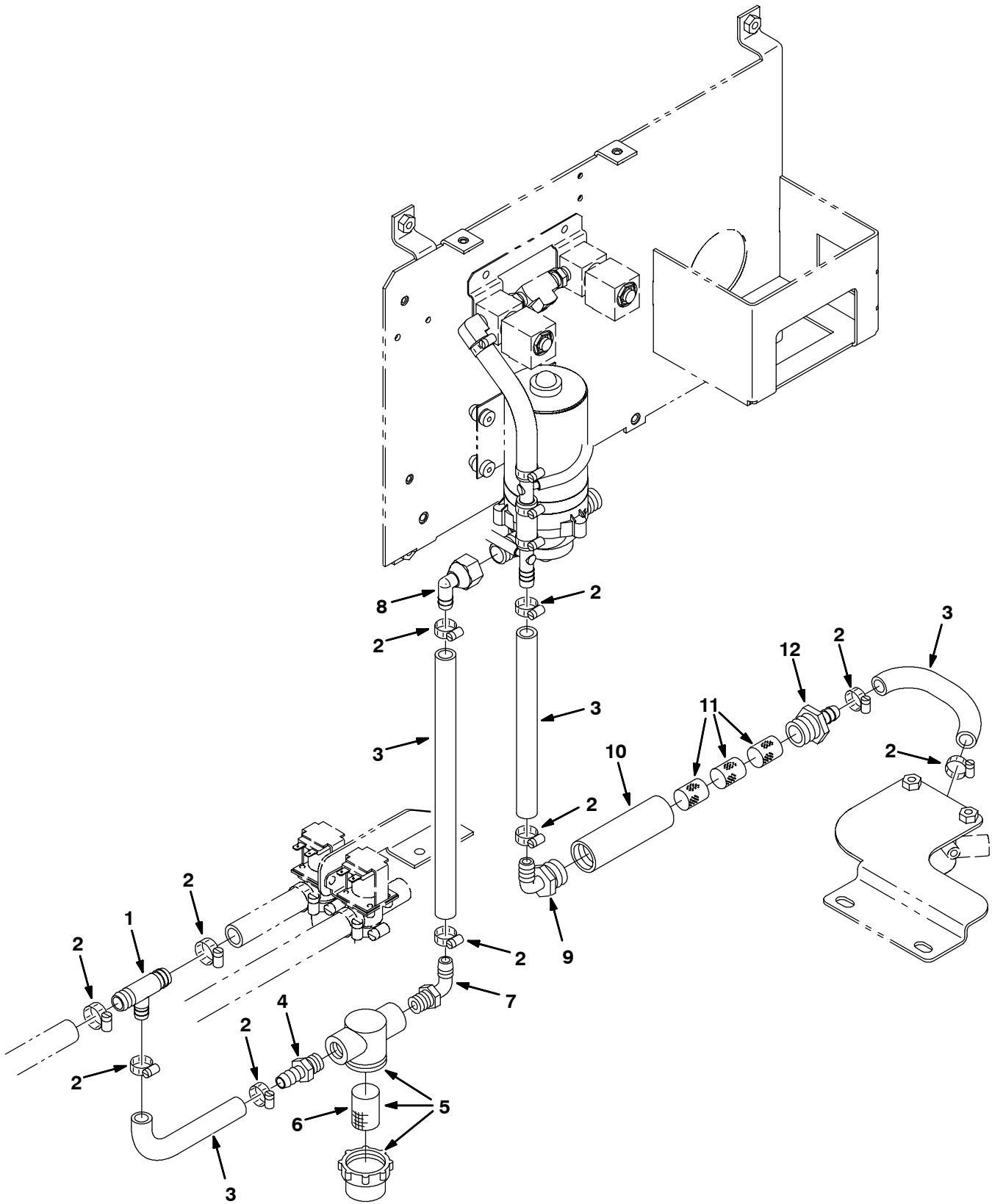




Fig. 100 - FaST Foam Filter Group (014215- )

Ref.	Part No.	Serial Number	Description	Qty.	
1	1015486	(014215-	) Fitting, Plstc, Tee, Bm10/Bm08/Bm10	1	
2	54333	(014215-	) Clamp, Hose, Wormdrive, 0.31-0.88d, .31w	10	
3	1024020	(014215-	) Hose, Afmkt, Pvc, Wir, 0.50 Id 1ft	4	
4	64743	(014215-	) Fitting, Plstc, Str, Bm08/Pm06	1	
▽	5	1005302	(014215-	) Filter, Inline, Pf06/Pf06, 80 Mesh	1
▲	6	1005304	(014215-	) Screen, Fltr, 80 Mesh	1
7	64778	(014215-	) Fitting, Plstc, E90, Bm08/Pm06	1	
8	1018499	(014215-	) Fitting, Plstc, E90, Swivel, Bm08/Pf08s	1	
9	1005552	(014215-	) Fitting, Plstc, E90, Bm08/Pm12, Nyl	1	
10	1005086	(014215-	) Tube, Pvc, Shc80, Clr, 4.0l	1	
11	1002789	(014215-	) Filter, Foam	3	
12	79273-1	(014215-	) Fitting, Plstc, Str, Bm08/Pm12	1	

Fig. 101 - FaST Electrical Group (014215- )

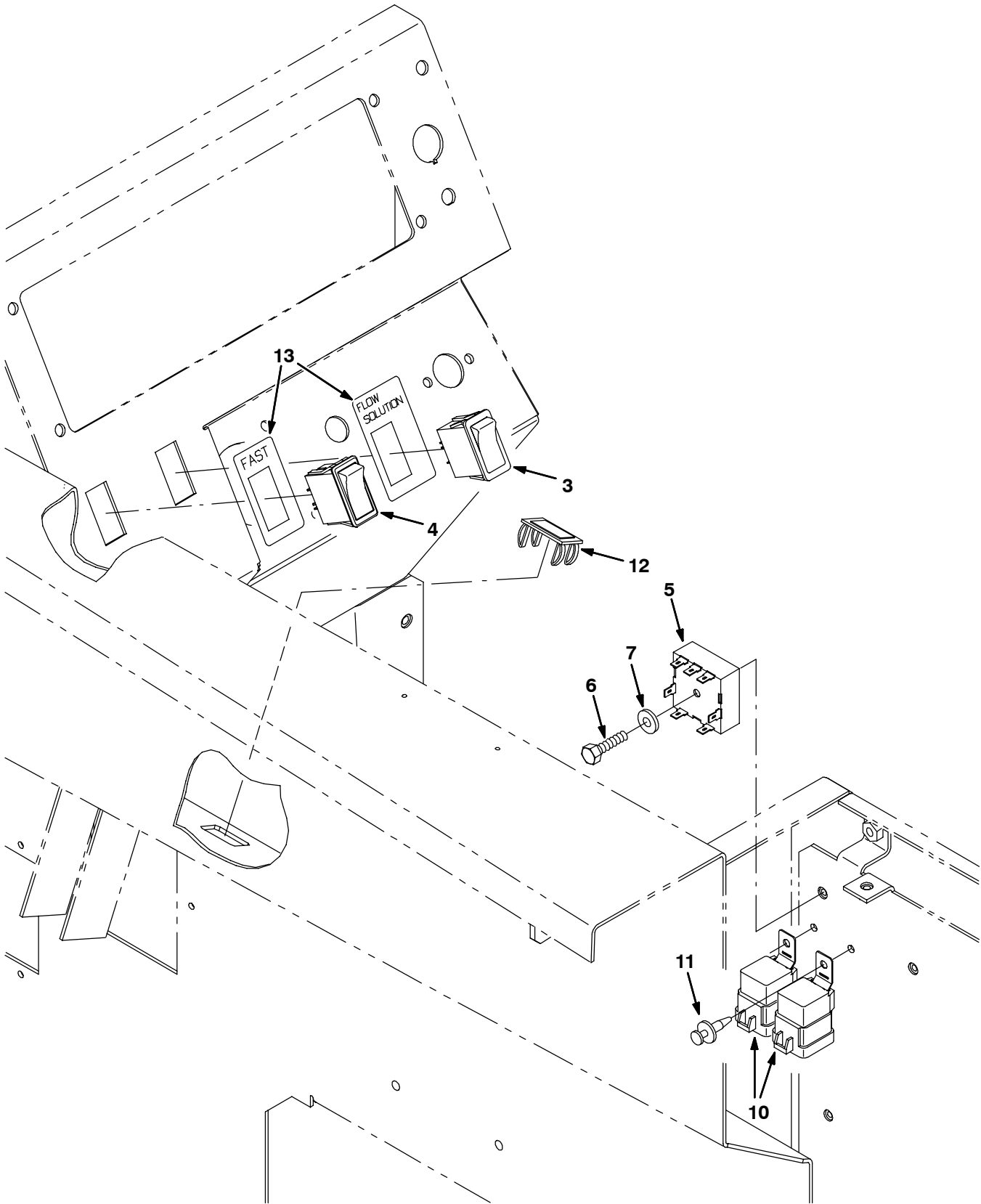


Fig. 101 - FaST Electrical Group (014215- )

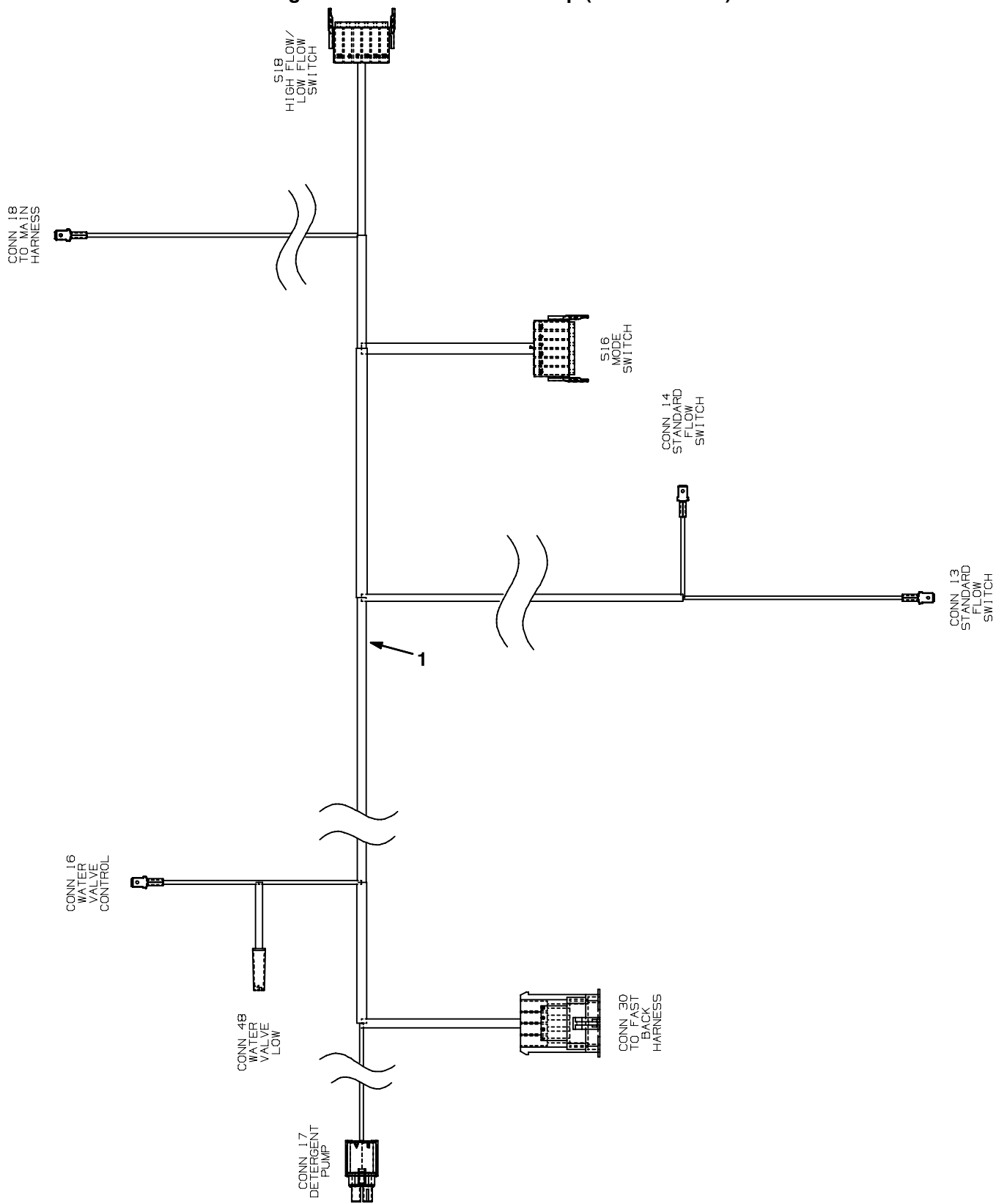


Fig. 101 - FaST Electrical Group (014215- )

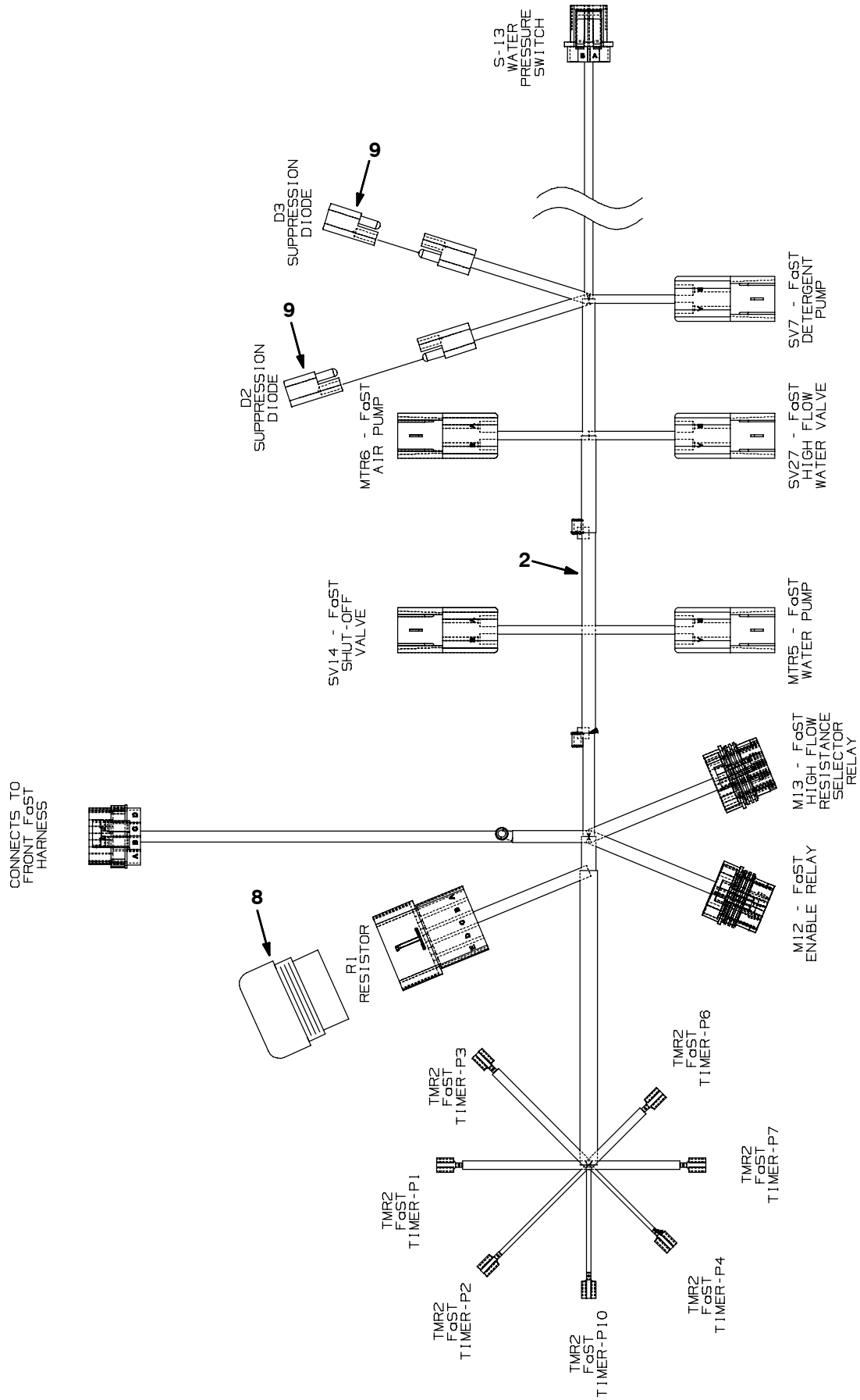
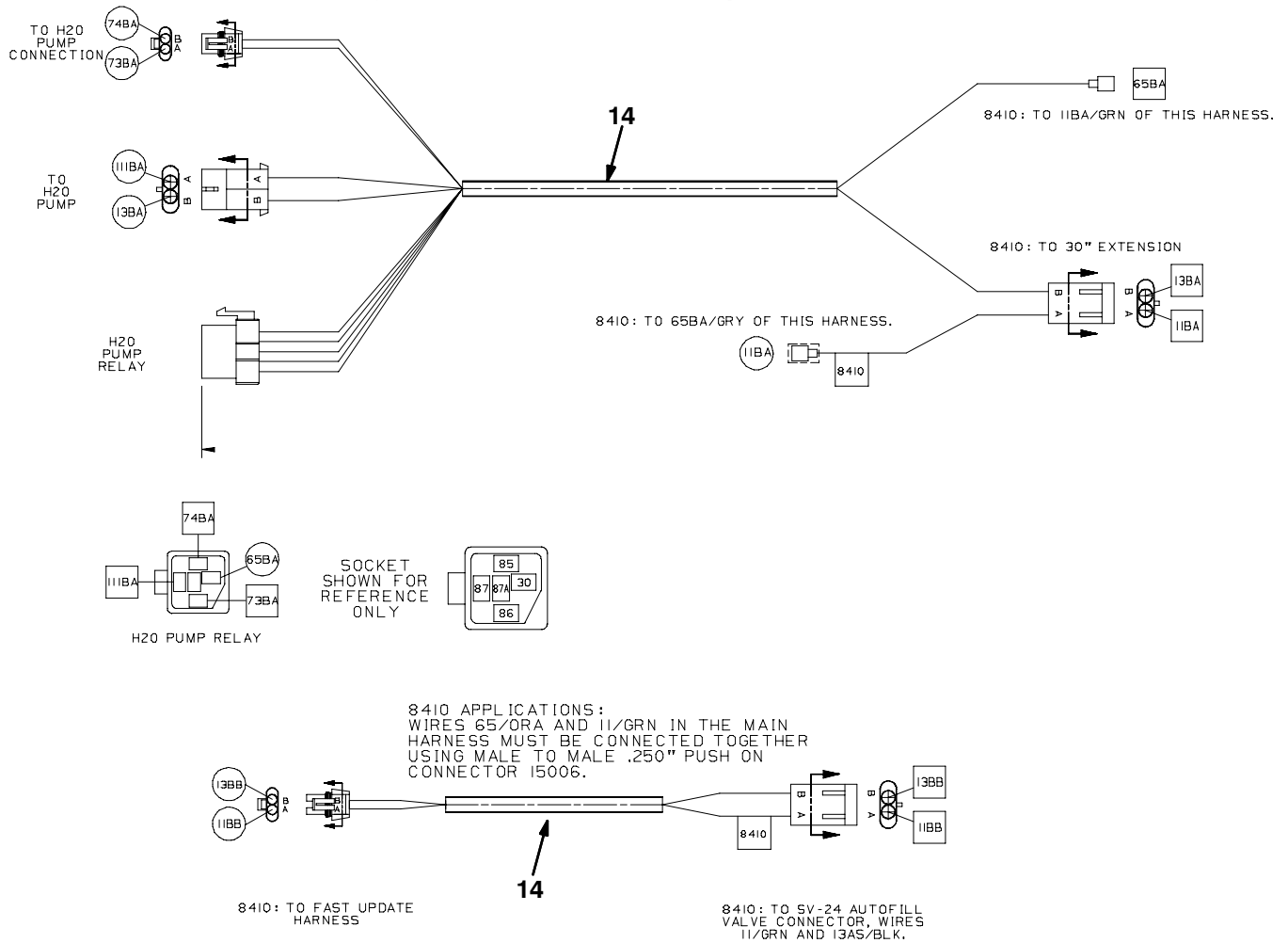


Fig. 101 - FaST Electrical Group (014215- )



354348 - NA,CE

Ref.	Part No.	Serial Number	Description	Qty.
1	1022662	(014215- )	Harness, Front, Fast, [8410]	1
2	1022636	(014215- )	Harness, Back, Fast, [8410]	1
3	377084	(014215- )	Switch, Rocker, 36vdc 05a Progressive	1
4	397889	(014215- )	Switch, Rocker, 36vdc 05a Dpst On/N/On	1
5	1028580	(014215- )	Timer, 9-41vdc, Recycling	1
6	06945	(014215- )	Screw, Hex, M6 X 1.0 X 30, 8.8	1
7	01684	(014215- )	Washer, Flat, 0.25 Ss	1
8	1015096	(014215- )	Resistor Assy W / 5 Pin Plug	1
9	222290	(014215- )	Diode, Ele, Plug	2
10	56186	(014215- )	Relay, 12vdc, 40a, Spdt N/O [Potter]	2
11	72970	(014215- )	Rivet, Plstc, .250d X 0.898	2
12	57772	(014215- )	Button, Plug, Switch, 1.45 X 0.83 Hole	1
13	1020195	(014215- )	Label Set, Opertnl	1
14	1031405	(014215- )	Harness [7400/8410 Fast Update]	1

Fig. 102 - Vacuum Fan Group, Scrubber (000000-013227)

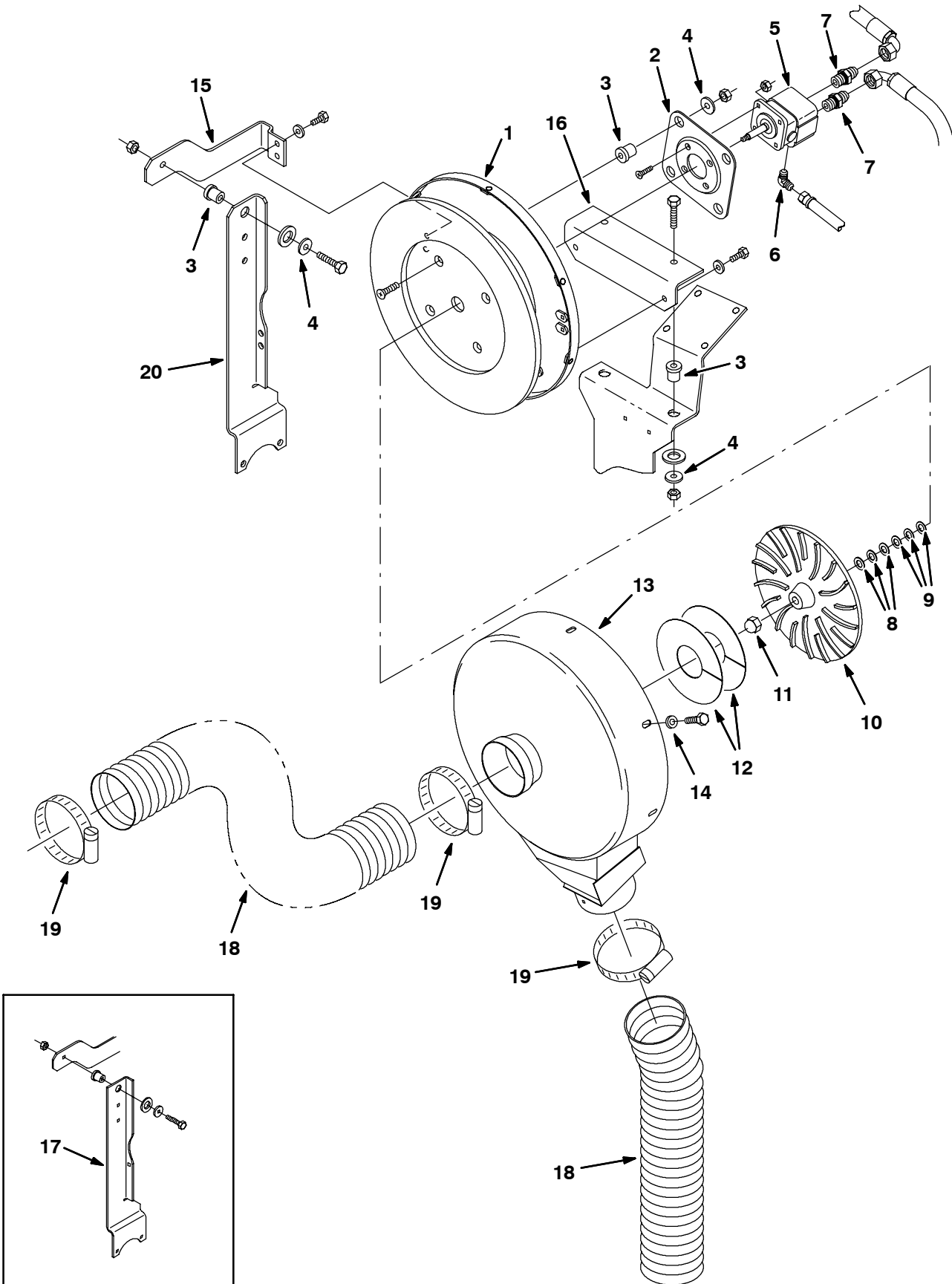


Fig. 102 - Vacuum Fan Group, Scrubber (000000-013227)

Ref.	Part No.	Serial Number	Description	Qty.
1	73270	(000000-013227 )	Housing Wldt, Rear	1
2	54275A	(000000-013227 )	Bracket, Mounting Motor	1
3	54274	(000000-013227 )	Isolator-Vibration,125Lb.Ratng	7
4	13248	(000000-013227 )	Washer .400B 1.12D .12Cr Znc	7
5	73112	(000000-013227 )	Motor, Hyd Gear Ex 0.13L 3000 (See Breakdown)	1
6	77097	(000000-013227 )	Ftg-Hyd, E90	1
7	56692	(000000-013227 )	Ftg-Hyd Str Jm08/Om10	2
8	75456-3	(000000-013227 )	Shim .020Th 0.88Odx0.506ld	3
9	75456-4	(000000-013227 )	Shim .060Th 0.880Dxo.506ld	3
10	03922	(000000-013227 )	Impeller 9.5 Dia. 18 Blade Mac	1
11	41130	(000000-013227 )	Nut-Low Crown .50-20 Pltd	1
12	58114	(000000-013227 )	Fan, Repair Kit, Reassembly	1
13	77222	(000000-013227 )	Housing, Vac Fan W/Label	1
14	41186	(000000-013227 )	Washer-Belleville .31 Pltd	6
15	83987	(000000-013227 )	Bracket, Fan	1
16	72635	(000000-013227 )	Bracket, Fan	1
17	385434	(000000-012503 )	Kit, Replm, Brackets F/83986/78733	1
18	77320	(000000-013227 )	Hose, Vacuum	1
19	79380	(000000-013227 )	Clamp Wormdrive, 3.75-4.62	3
20	385428	(012504-013227 )	Bracket, Mtg, Vac Fan 2.5 Ford	1

Fig. 103 - Vacuum Fan Group, Scrubber (013228-013999)

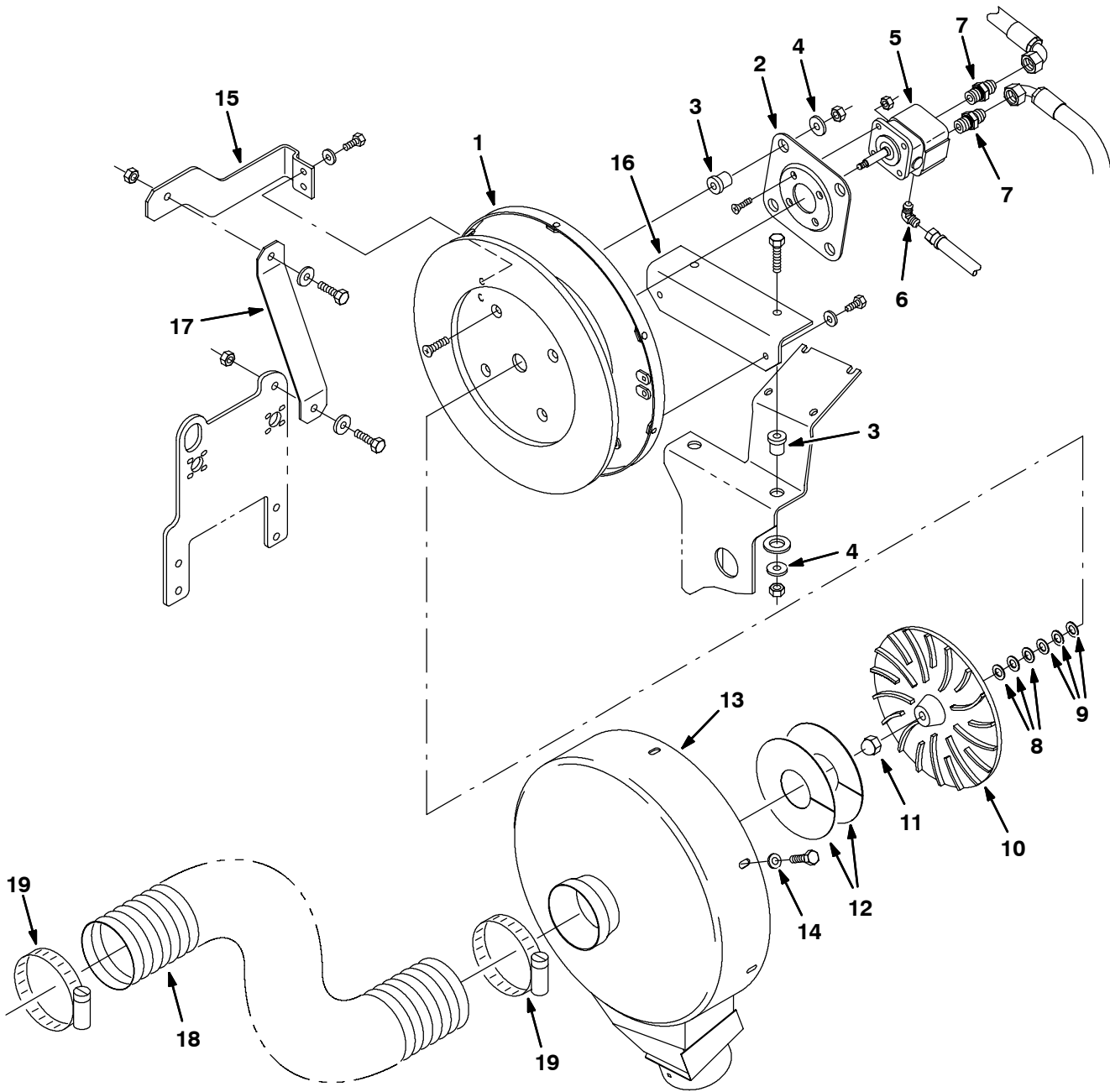




Fig. 103 - Vacuum Fan Group, Scrubber (013228-013999)

Ref.	Part No.	Serial Number	Description	Qty.
1	73270	(013228-013999 )	Housing Wldt, Rear	1
2	54275A	(013228-013999 )	Bracket, Mounting Motor	1
3	54274	(013228-013999 )	Isolator-Vibration,125Lb.Ratng	6
4	13248	(013228-013999 )	Washer .400B 1.12D .12Cr Znc	6
5	73112	(013228-013999 )	Motor, Hyd Gear Ex 0.13L 3000	1
6	77097	(013228-013999 )	Ftg-Hyd, E90	1
7	56692	(013228-013999 )	Ftg-Hyd Str Jm08/Om10	2
8	75456-3	(013228-013999 )	Shim .020Th 0.88Odx0.506ld	3
9	75456-4	(013228-013999 )	Shim .060Th 0.880Dxo.506ld	3
10	03922	(013228-013999 )	Impeller 9.5 Dia. 18 Blade Mac	1
11	41130	(013228-013999 )	Nut-Low Crown .50-20 Pltd	1
12	58114	(013228-013999 )	Fan, Repair Kit, Reassembly	1
13	77222	(013228-013999 )	Housing, Vac Fan W/Label	1
14	41186	(013228-013999 )	Washer-Belleville .31 Pltd	6
15	83987	(013228-013999 )	Bracket, Fan	1
16	72635	(013228-013999 )	Bracket, Fan	1
17	1008377	(013228-013999 )	Bracket, Mtg, Vacfan	1
18	77320	(013228-013999 )	Hose, Vacuum	1
19	79380	(013228-013999 )	Clamp Wormdrive, 3.75-4.62	2

Fig. 104 - Vacuum Fan Group, Scrubber (014000- )

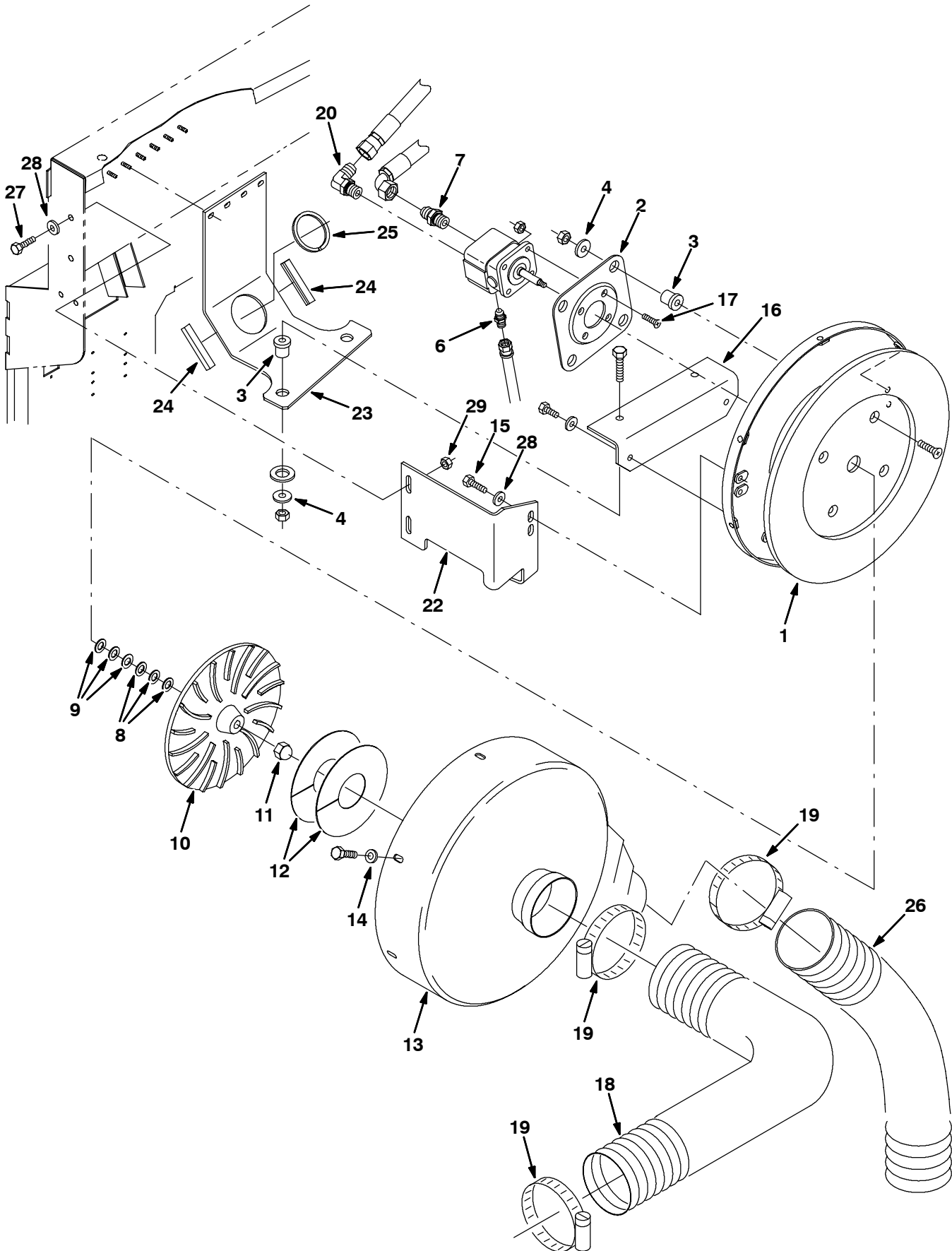


Fig. 104 - Vacuum Fan Group, Scrubber (014000- )

Ref.	Part No.	Serial Number	Description	Qty.
1	73270	(014000-	) Housing Wldt, Rear	1
2	54275A	(014000-	) Bracket, Mounting Motor	1
3	54274	(014000-	) Isolator-Vibration,125Lb.Ratng	6
4	13248	(014000-	) Washer .400B 1.12D .12Cr Znc	6
5	73112	(014000-	) Motor, Hyd Gear Ex 0.13L 3000	1
6	55586	(014000-	) Fitting, Hyd, Str, Jm04/Om04	1
7	56692	(014000-	) Ftg-Hyd Str Jm08/Om10	1
8	75456-3	(014000-	) Shim .020Th 0.88Odx0.506ld	3
9	75456-4	(014000-	) Shim .060Th 0.880Dxo.506ld	3
10	03922	(014000-	) Impeller 9.5 Dia. 18 Blade Mac	1
11	41130	(014000-	) Nut-Low Crown .50-20 Pltd	1
12	58114	(014000-	) Fan, Repair Kit, Reassembly	1
13	77222	(014000-	) Housing, Vac Fan W/Label	1
14	41186	(014000-	) Washer-Belleville .31 Pltd	6
15	16931	(014000-	) Screw, Hex, M8 X 1.25 X 20, 8.8	2
16	72635	(014000-	) Bracket, Fan	1
17	39534	(014000-	) Screw, Flt, .25-20 X 1.00, Al	4
18	77320	(014000-	) Hose, Vacuum	1
19	79380	(014000-	) Clamp Wormdrive, 3.75-4.62	2
20	56821	(014000-	) Fitting, Hyd, E90, Jm08/Om10	1
21	32981	(014000-	) Nut, Hex, Lock, .25-20, NI	4
22	1013846	(014000-	) Bracket, Mtg, Fan	1
23	1013851	(014000-	) Bracket, Mtg, Fan	1
24	74068	(014000-	) Molding, Trim, Pvc,.18-.31 02.8l	2
25	365080	(014000-	) Molding, Trim, Pvc,.18-.31 09.5l	1
26	20971	(014000-	) Hose, Flex, Vacuum, 4.0d 30.0l	1
27	39277	(014000-	) Screw, Hex, M8 X 1.25 X 25, 8.8	2
28	32491	(014000-	) Washer, Flat, 0.31 Std	4
29	07791	(014000-	) Nut, Hex, Flng, M8 X 1.25	2

Fig. 105 - Steering Group

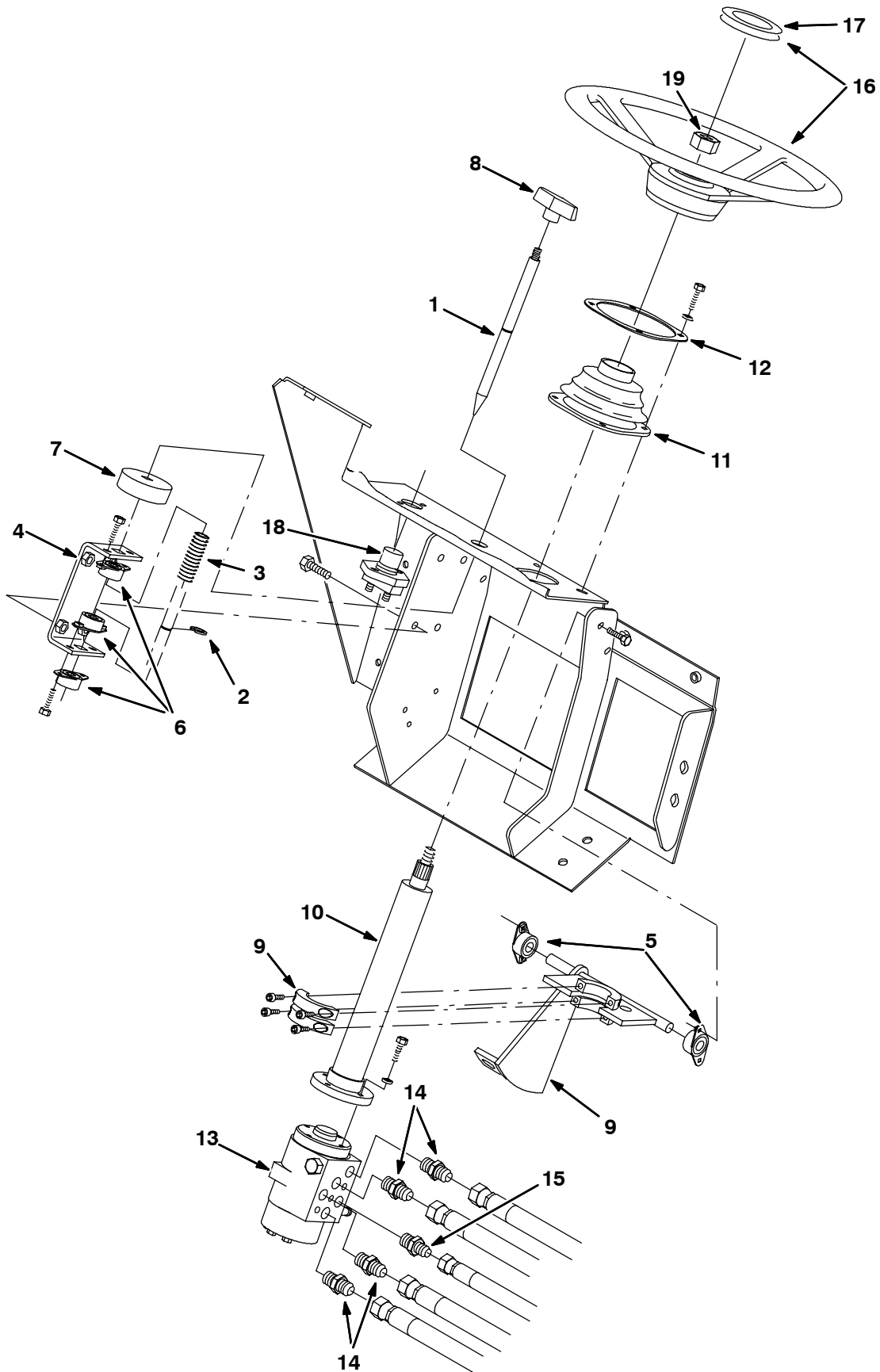


Fig. 105 - Steering Group

Ref.	Part No.	Serial Number	Description	Qty.
1	64651	(000000-	) Rod, Latch, Steering, Tilt	1
2	70717	(000000-	) Ring, Retain, Ex0.50Od,Heavydt	1
3	22290	(000000-	) Sprng,Comp,0.62ldx.06Wire 2.3L	1
4	64655	(000000-	) Channel, Mounting, Steering La	1
5	70709	(000000-	) Bearing, Flange .500B	2
6	47585	(000000-	) Bearing-Flange,2 Hole 0.50Bore	3
7	75968	(000000-	) Seal, Bearing	1
8	04706	(000000-	) Handle Lift Brush	1
9	73027	(000000-	) Bracket Wldt, Steering, Tilt	1
10	73061	(000000-	) Column, Steering #2 10Lg Wire	1
11	70622	(000000-	) Seal, Boot, Steering Column	1
12	70623	(000000-	) Plate, Mtg, Steering Boot	1
13	73093	(000000-	) Steer Control, Hyd#2 06.1 1000 (See Breakdowns)	1
14	56690	(000000-	) Ftg-Hyd Str Jm06/Om06	4
15	55685	(000000-	) Ftg-Hyd Str Jm04/Om06	1
▽	16	1036255	(000000-) Wheel, Steering, 14.0d, Taper Bore	1
▲	17	1038966	(000000-) Cap, Wheel, Steering	1
▲		70219	(000000-) Steering Wheel Insert	1
	18	44078	(000000-) Switch, Pushmom, Spst100A 12V	1
	19	56185	(000000-) Nut	1

**Fig. 106 - Electrical Instrument Panel Assembly Main Group**

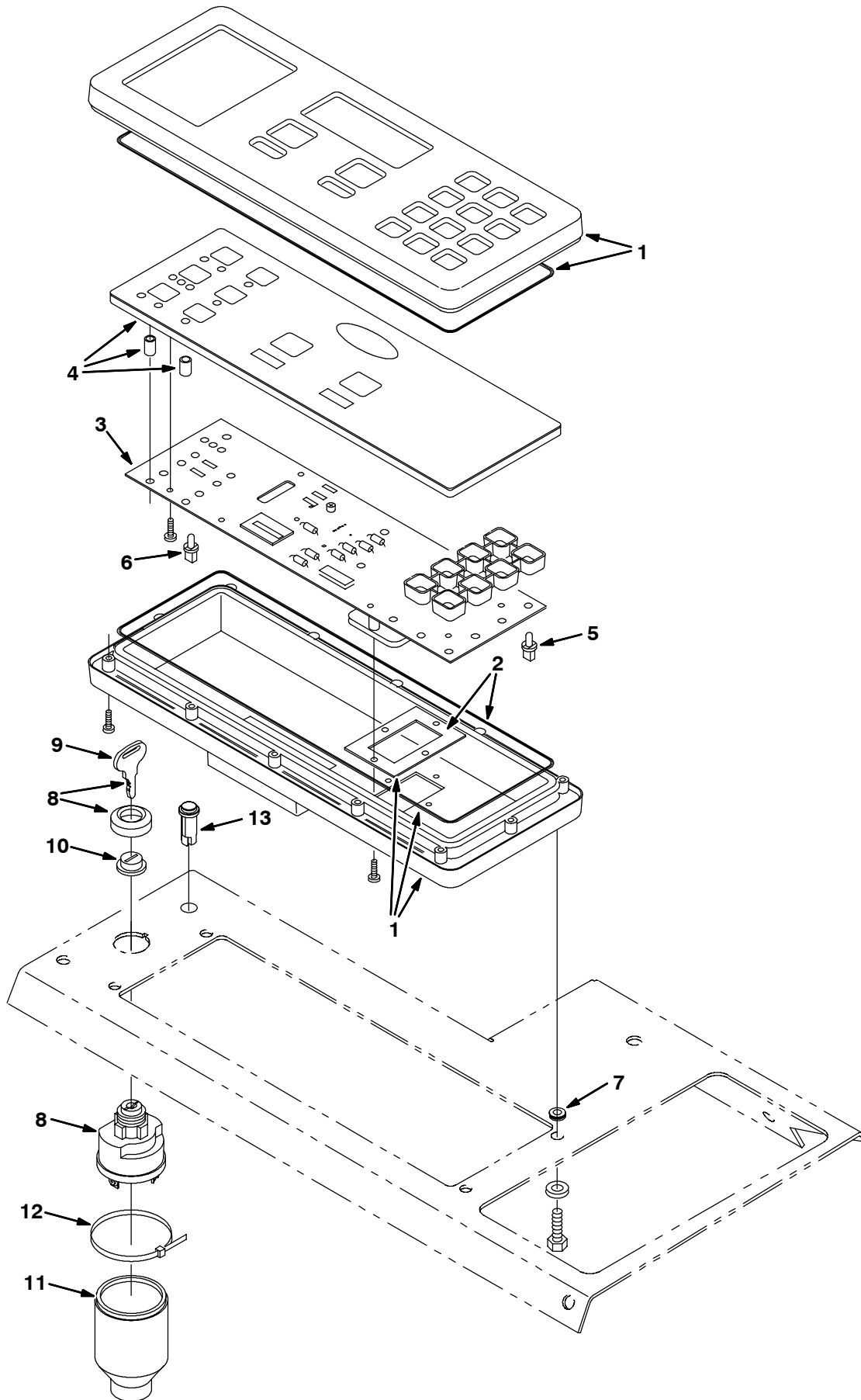


Fig. 106 - Electrical Instrument Panel Assembly Main Group

	Ref.	Part No.	Serial Number	Description	Qty.
▽		84052	(000000-	) Replm Kit, Instr Panel F/83719	1
▲	1	59976	(000000-	) Case, Replmt Kit	1
▲	2	59977	(000000-	) Seal, Replmt Kit	1
▲	3	84061	(000000-	) Circuit Board Rpmt Kit F/83709	1
▲	4	84141	(000000-	) Touch Panel Replmt Kit F/84069	1
▲	5	59971	(000000-	) Lamp, Replmt Kit (8) F/59972	2
▲	6	56346	(000000-	) Lamp, Replmt Kit (8) F/56330	2
	7	10632-5	(000000-	) Grommet Rbr 0.25ld For .09Matl	4
▽	8	87536AM	(000000-	) Switch Ignition	1
▲	9	87866	(000000-	) Key Set, Switch	1
	10	382516	(000000-	) Boot, Switch	1
	11	383165	(000000-	) Boot, Switch, Ignition	1
	12	49263	(000000-	) Tie, Cable, Nyl, 11.4l .19w 3.0 Max D	1
	13	1012185	(014000-	) Light, Check Eng, Amb, 14vdc	1

Fig. 107 - Electrical Instrument Panel Auxiliary Group

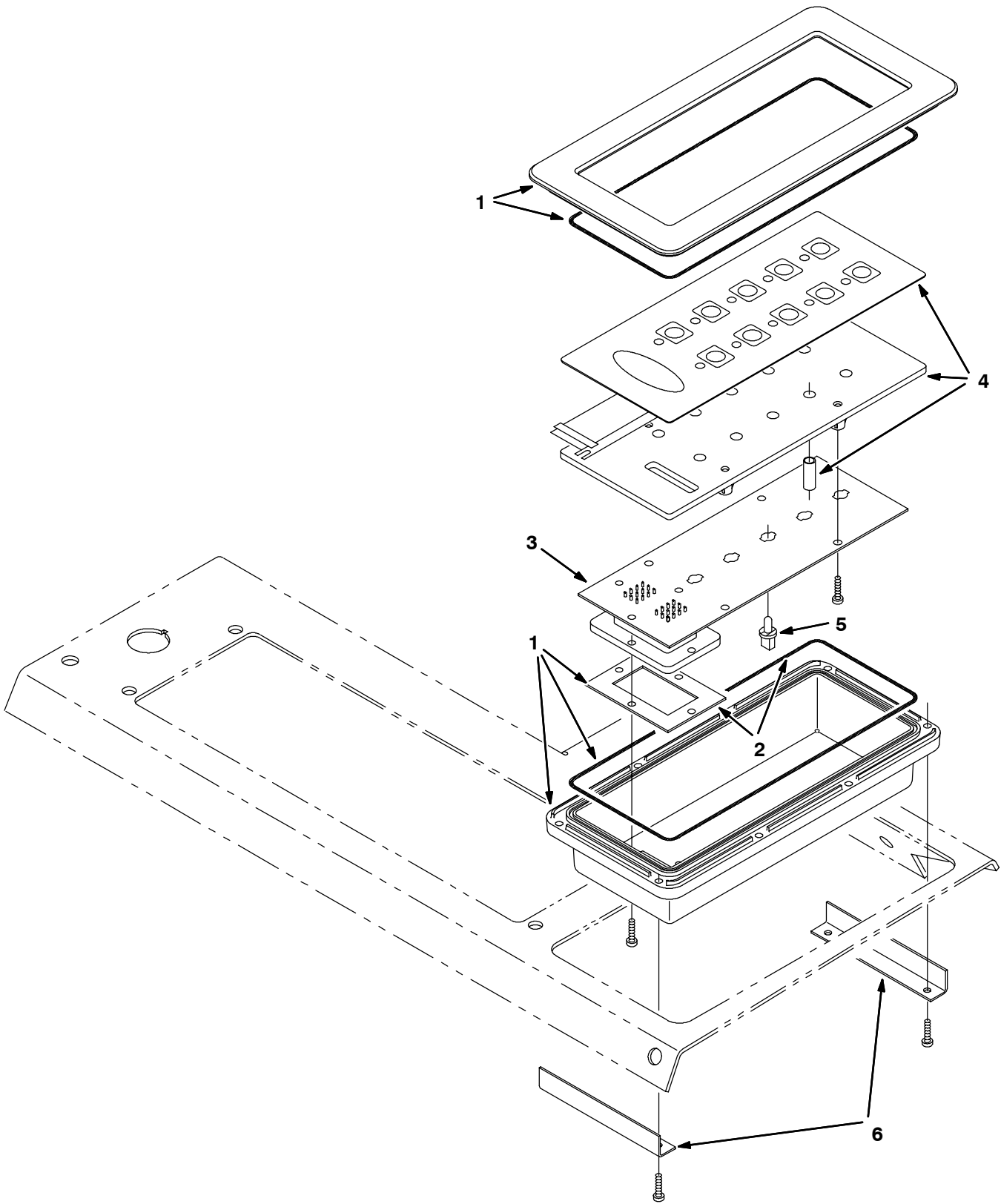




Fig. 107 - Electrical Instrument Panel Auxiliary Group

	Ref.	Part No.	Serial Number	Description	Qty.
▽		84053	(000000-	) Replm Kit, Instr Panel F/83720	1
▲	1	73235	(000000-	) Panel, Instrument,Replmt Kit	1
▲	2	73234	(000000-	) Seal Replmt Kit	1
▲	3	84062	(000000-	) Circuit Board Rplt Kit F/83716	1
▲	4	73230	(000000-	) Panel, Touch,Replmt Kitf/73214	1
▲	5	73205	(000000-	) Lamp Replmt Kit (5) F/59972	2
	6	73239	(000000-	) Bracket, L	2

Fig. 108 - Electrical Circuit Breaker and Relay Group

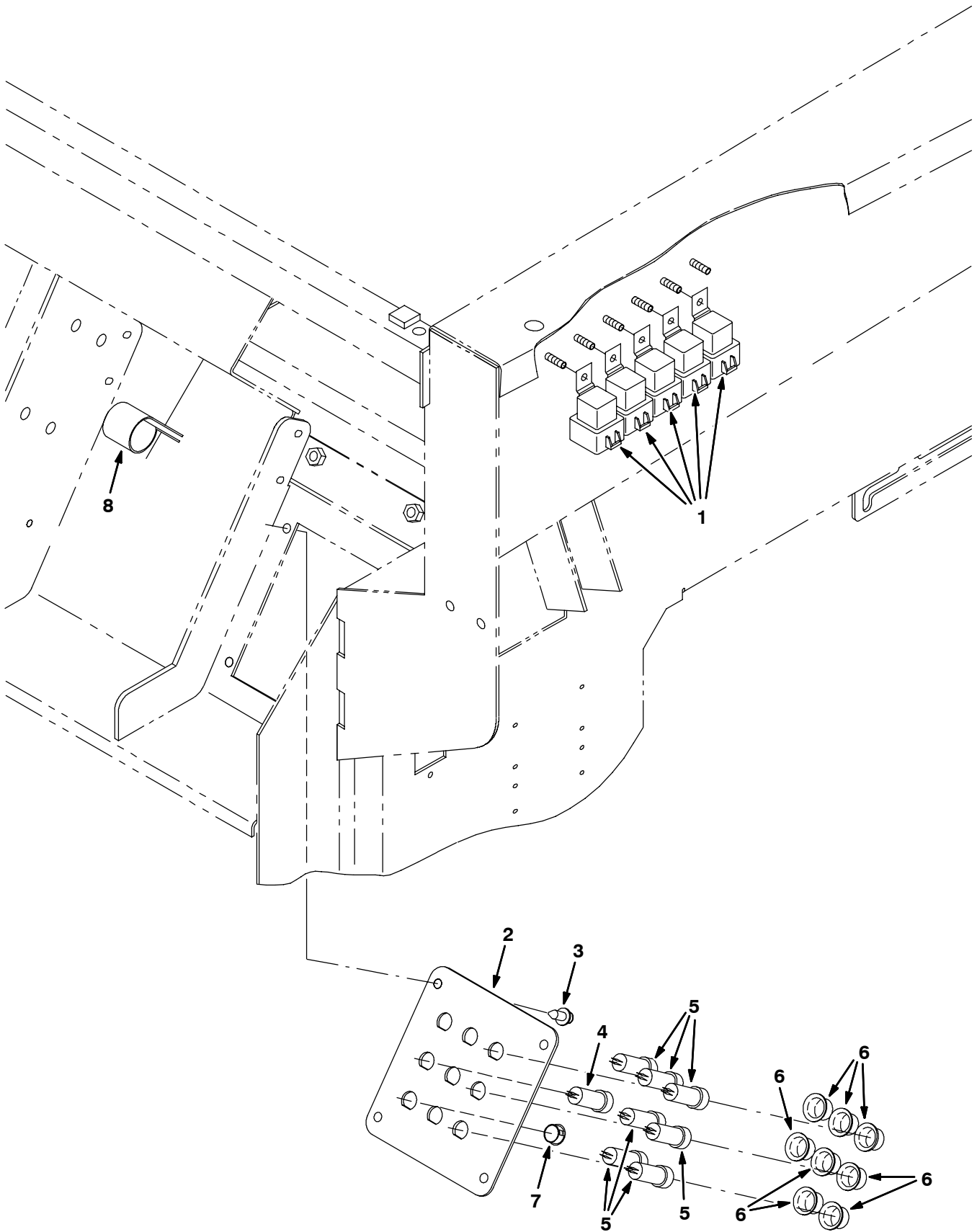


Fig. 108 - Electrical Circuit Breaker and Relay Group

Ref.	Part No.	Serial Number	Description	Qty.
1	56186	(000000-	) Relay, Shrouded, 12 Vdc	5
2	10612	(000000-	) Plate, Circuit Breaker	1
3	72970	(000000-	) Rivet, Plastic .250Dx.898	4
4	57164	(000000-	) Breaker-Circuit 10 Resetable	1
5	57803	(000000-	) Breaker-Circuit, 15A Resetable	7
6	57751	(000000-	) Boot,Circuit Breaker	8
7	57167	(000000-	) Plugbtn .62H .03-.12 Blacknyl	1
8	58366	(000000-	) Clamp,Cable 1.25Dia 1.00W Neo	1

Fig. 109 - Electrical Schematic (00000-013227)

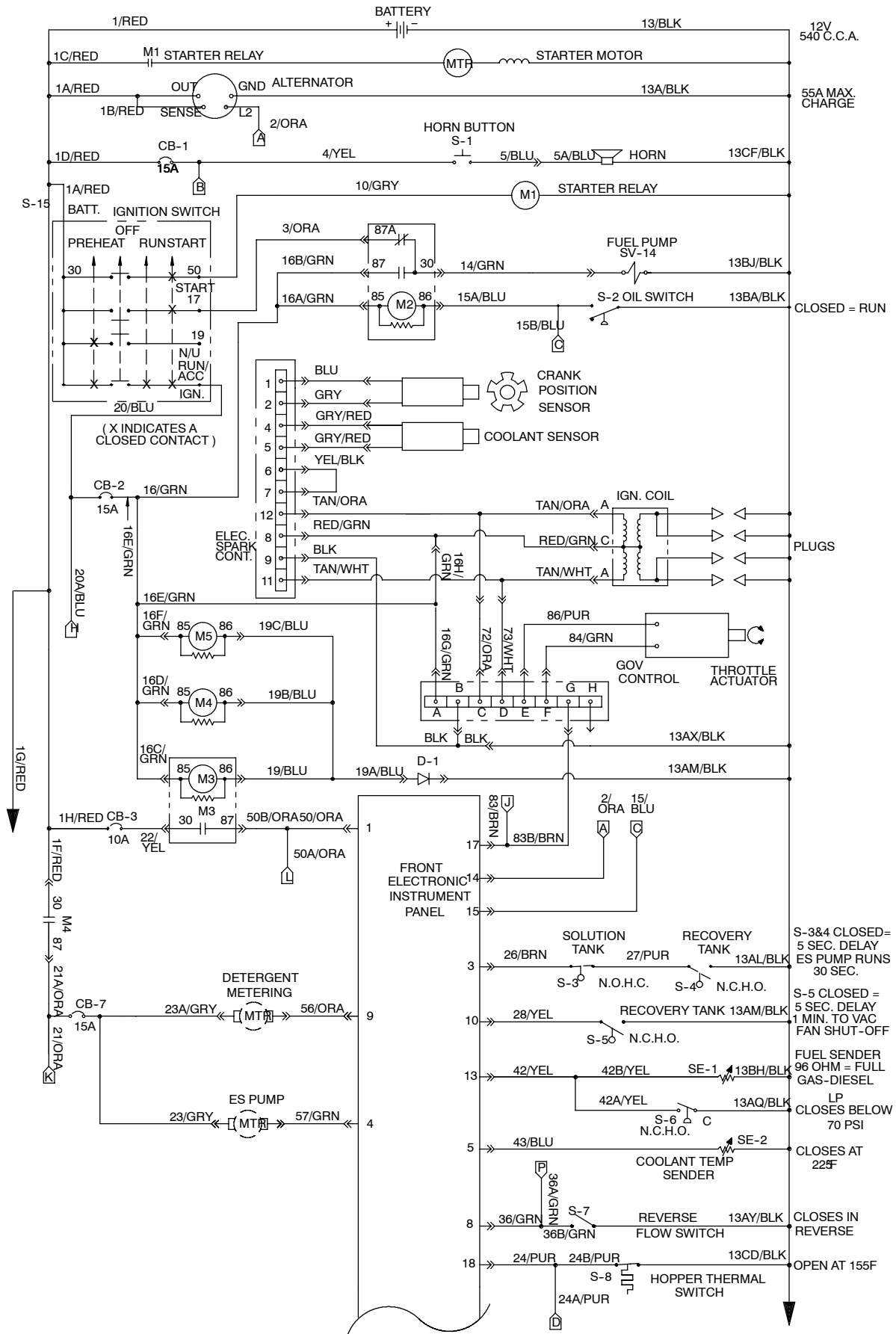


Fig. 109 - Electrical Schematic (000000-013227)

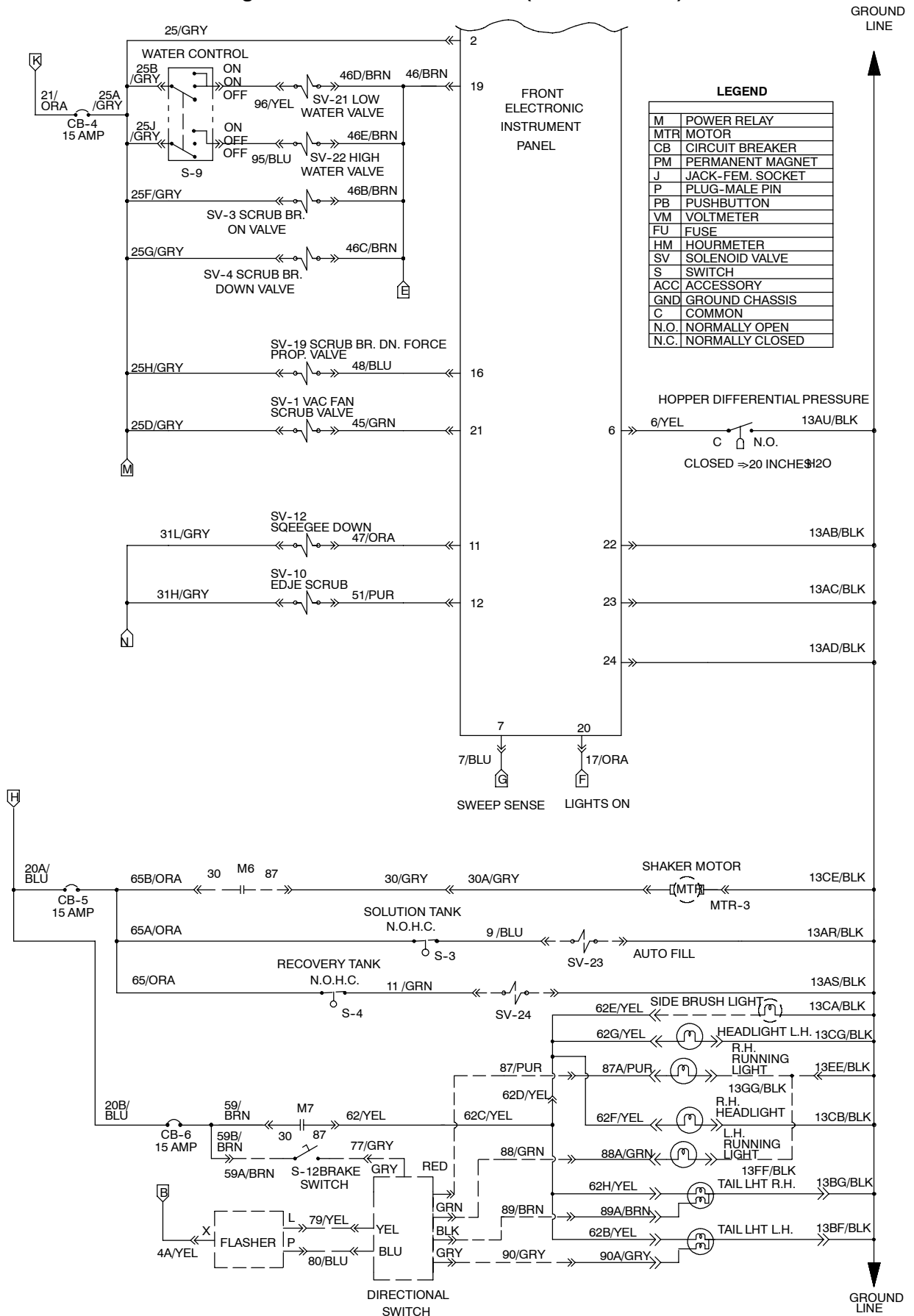


Fig. 109 - Electrical Schematic (000000-013227)

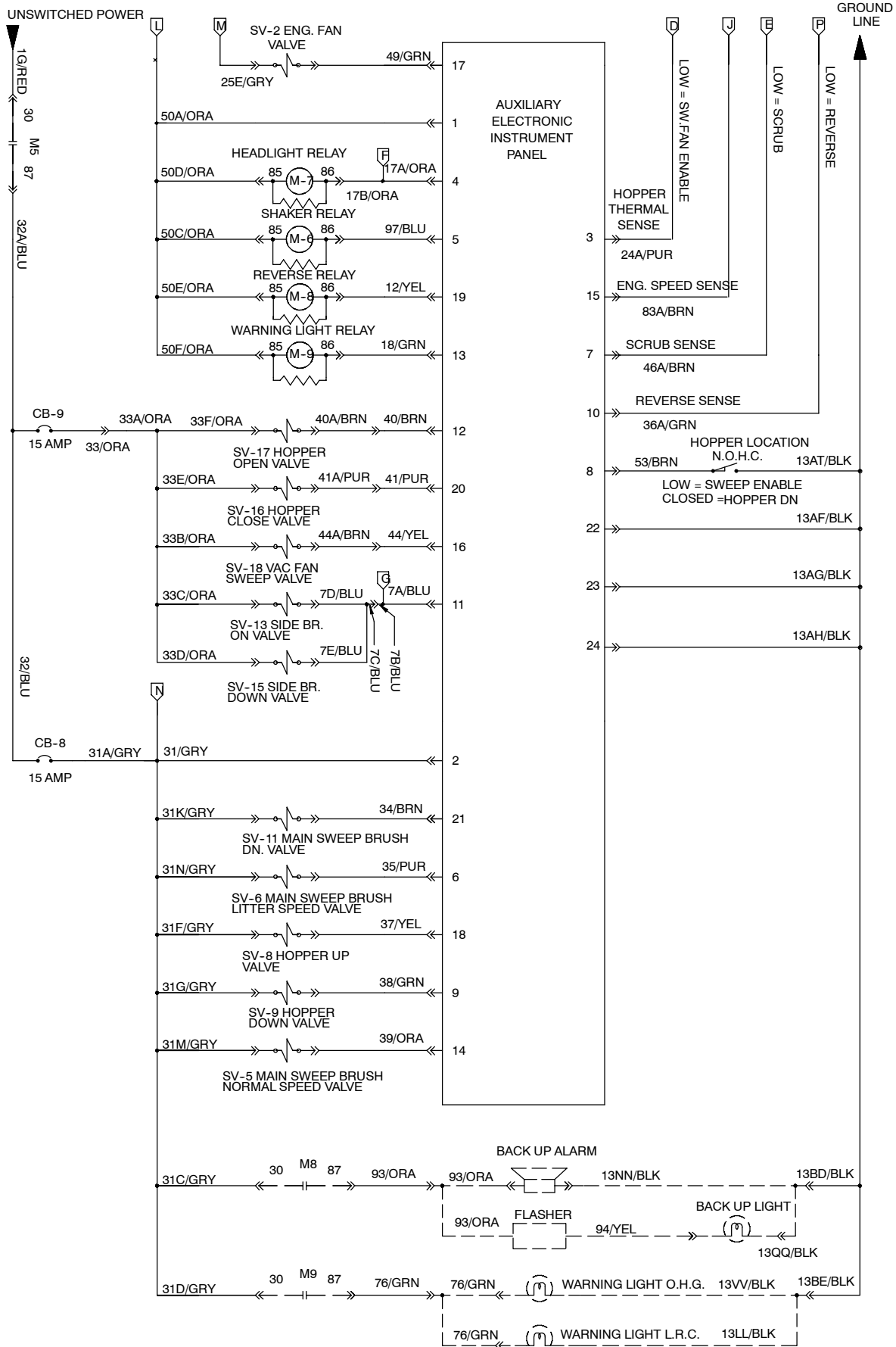




Fig. 110 - Electrical Schematic (013228-013999)

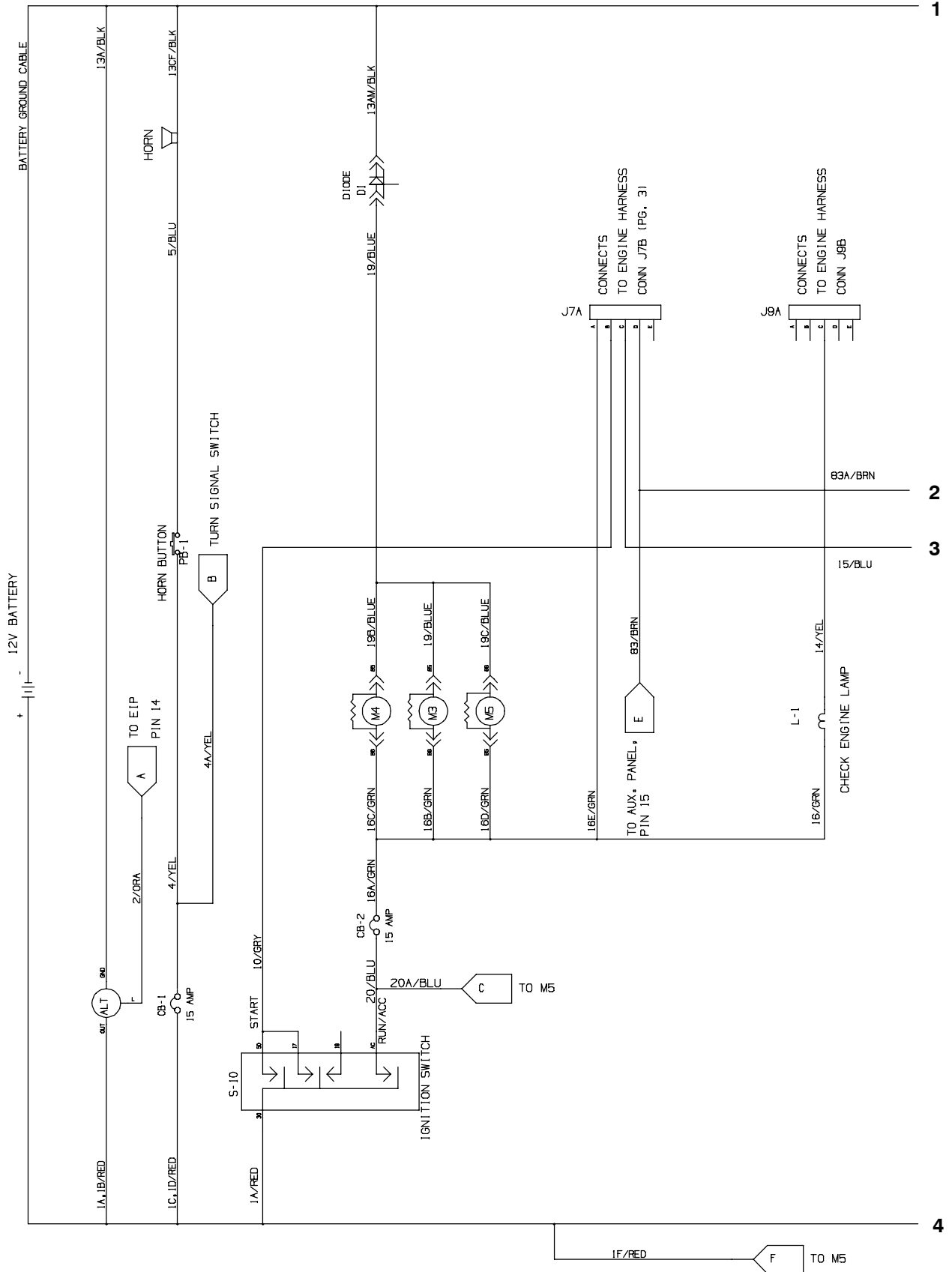




Fig. 110 - Electrical Schematic (013228-013999)

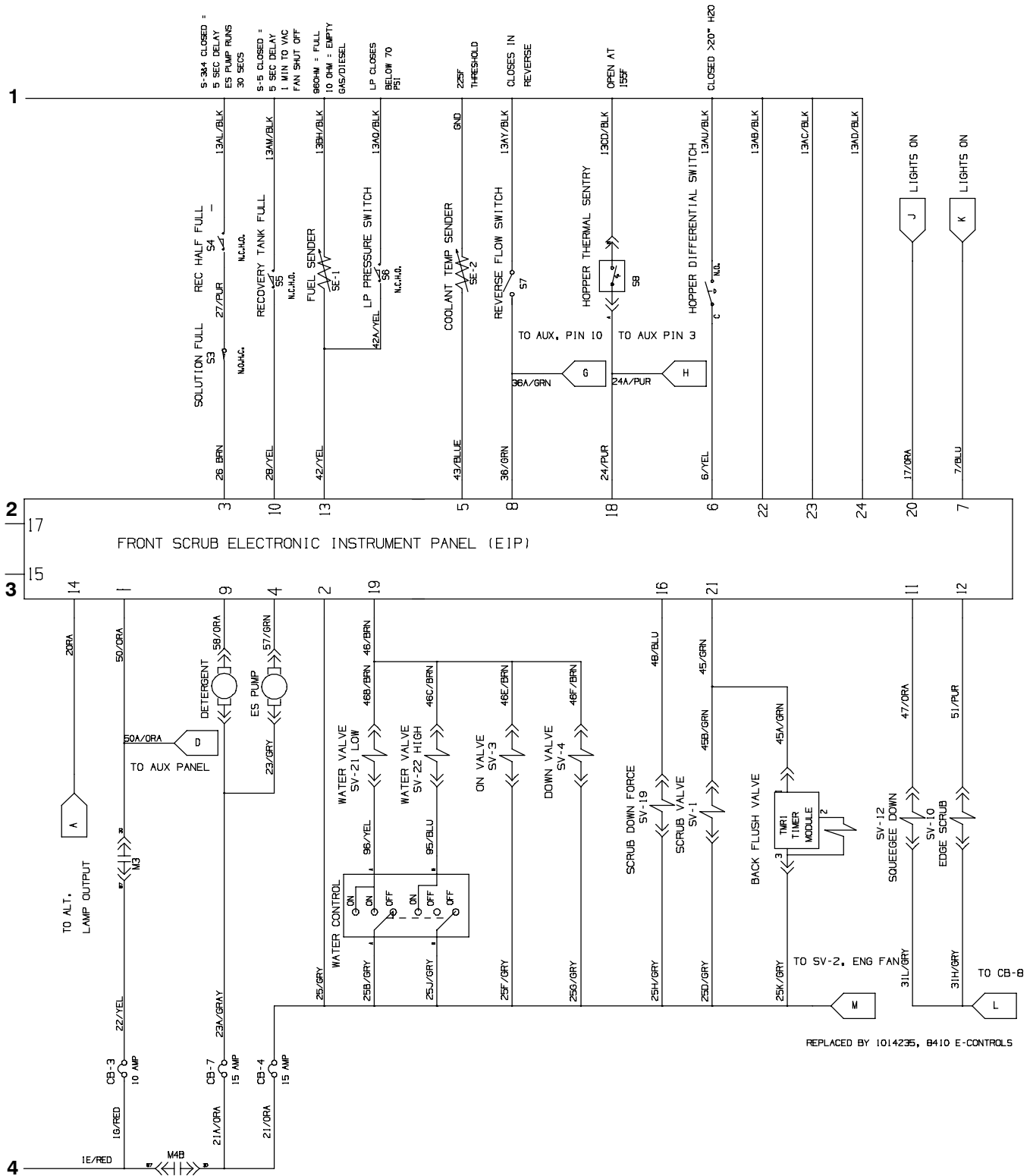
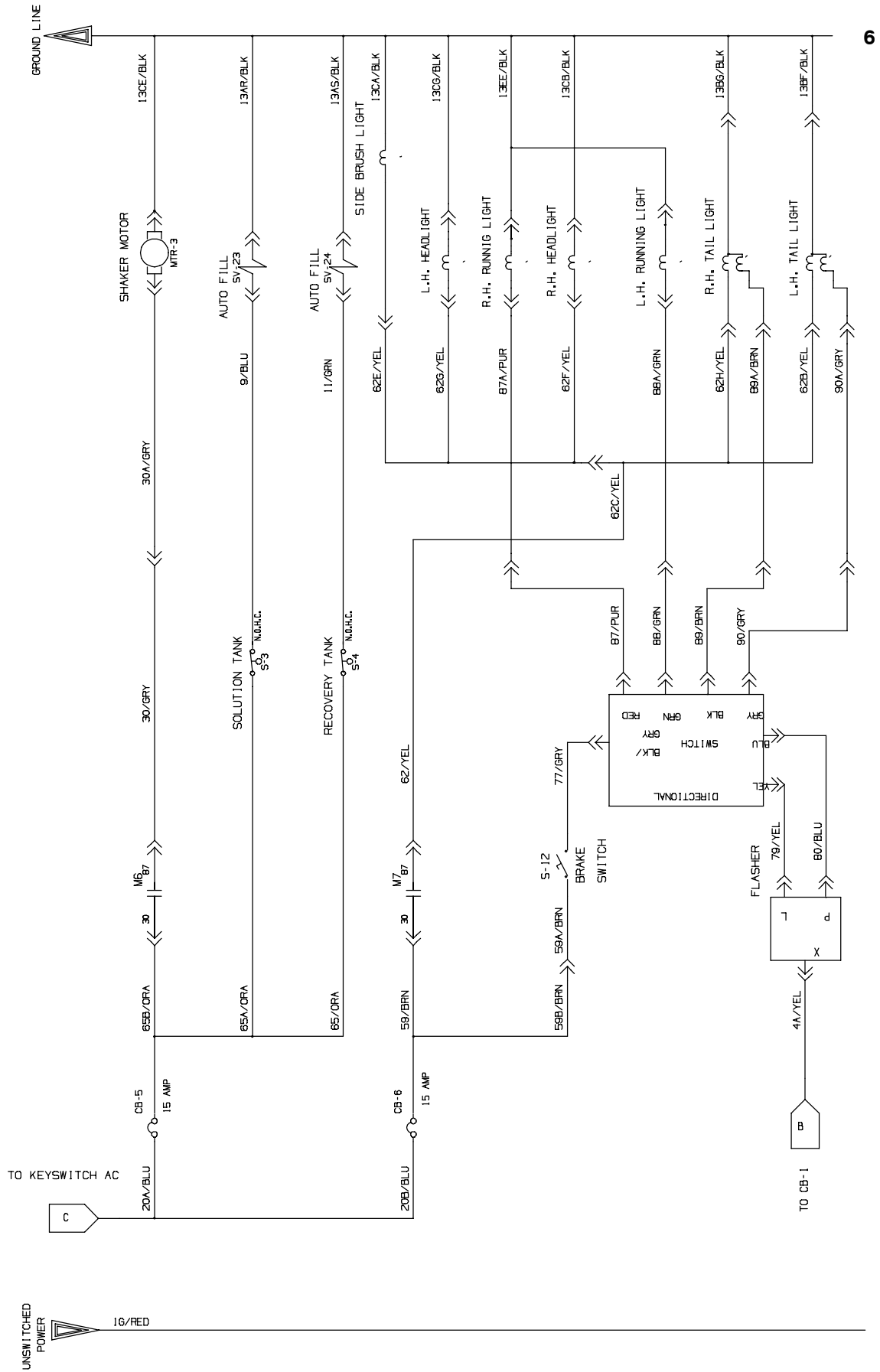


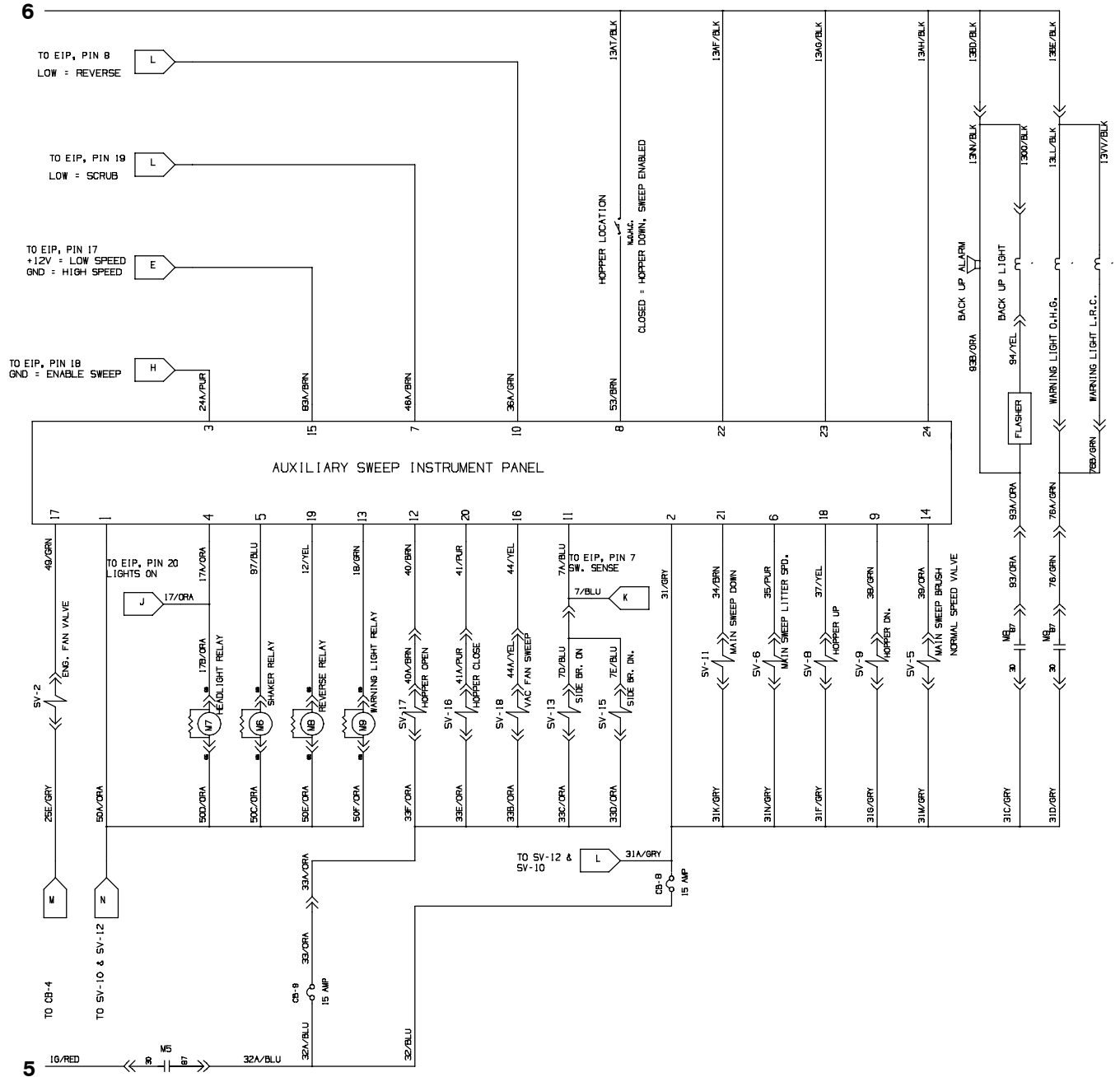
Fig. 110 - Electrical Schematic (013228-013999)



6

5

Fig. 110 - Electrical Schematic (013228-013999)



**Fig. 110 - Electrical Schematic (013228-013999)**

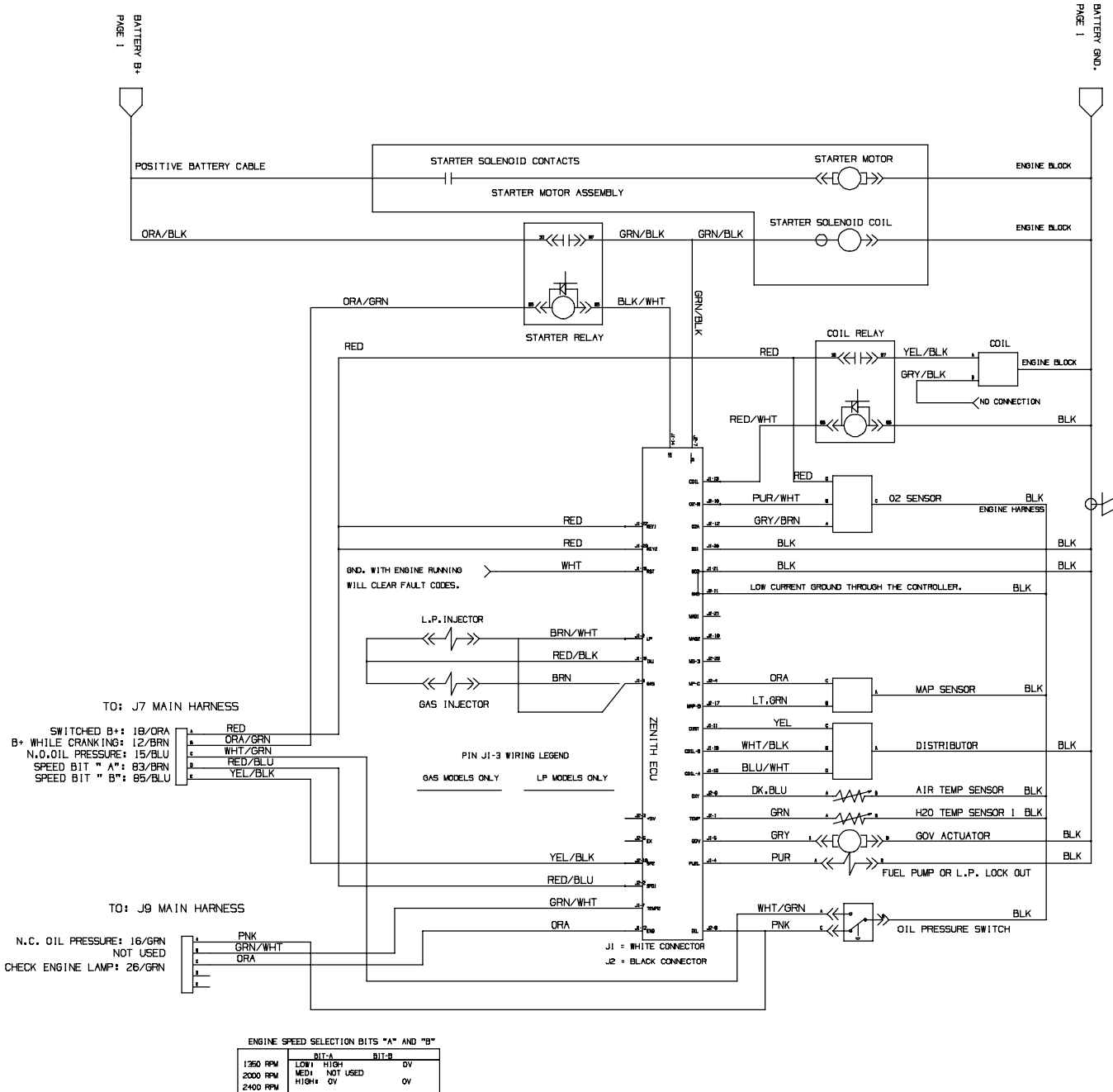




Fig. 111 - Electrical Schematic (014000-014214)

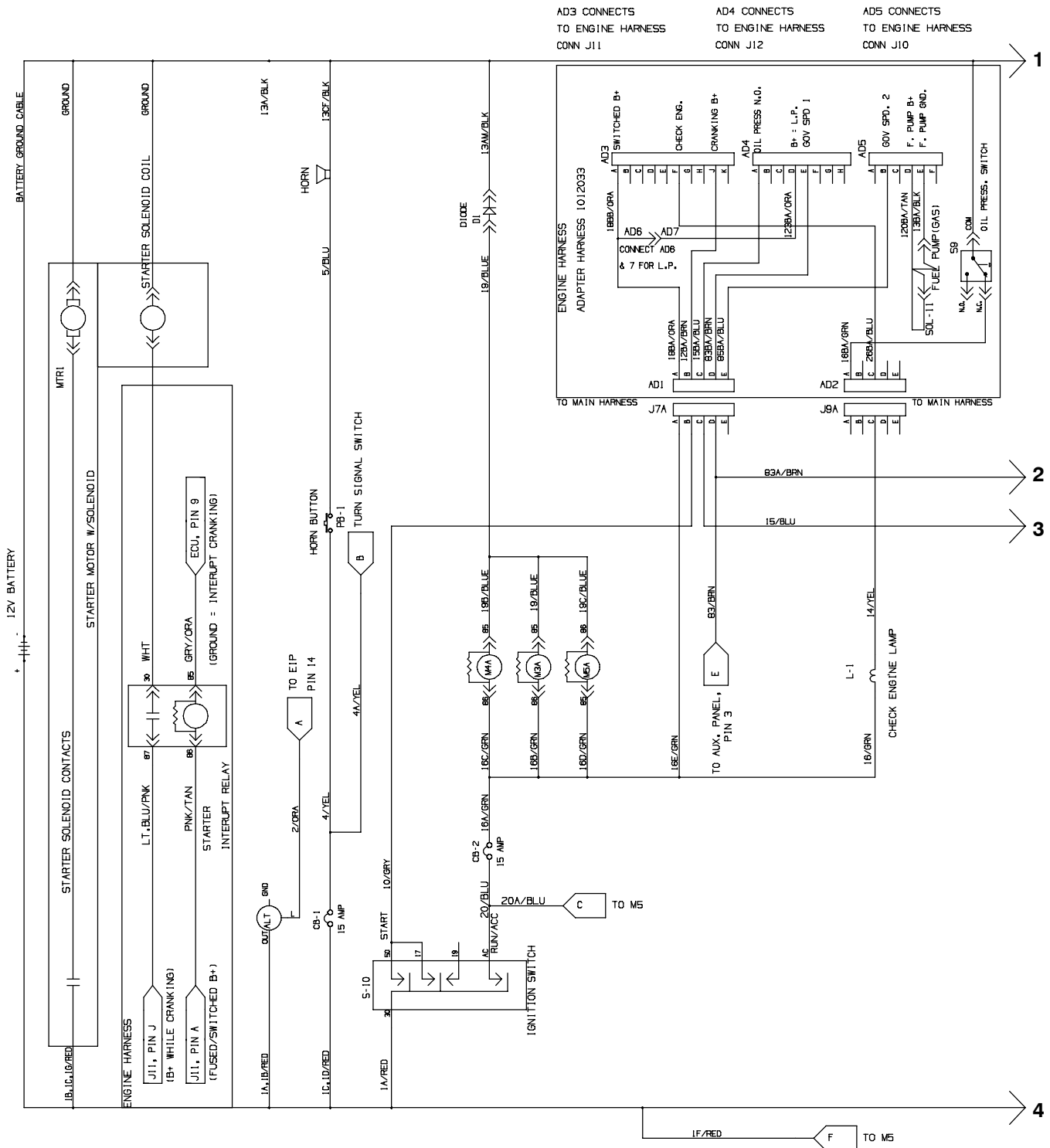


Fig. 111 - Electrical Schematic (014000-014214)

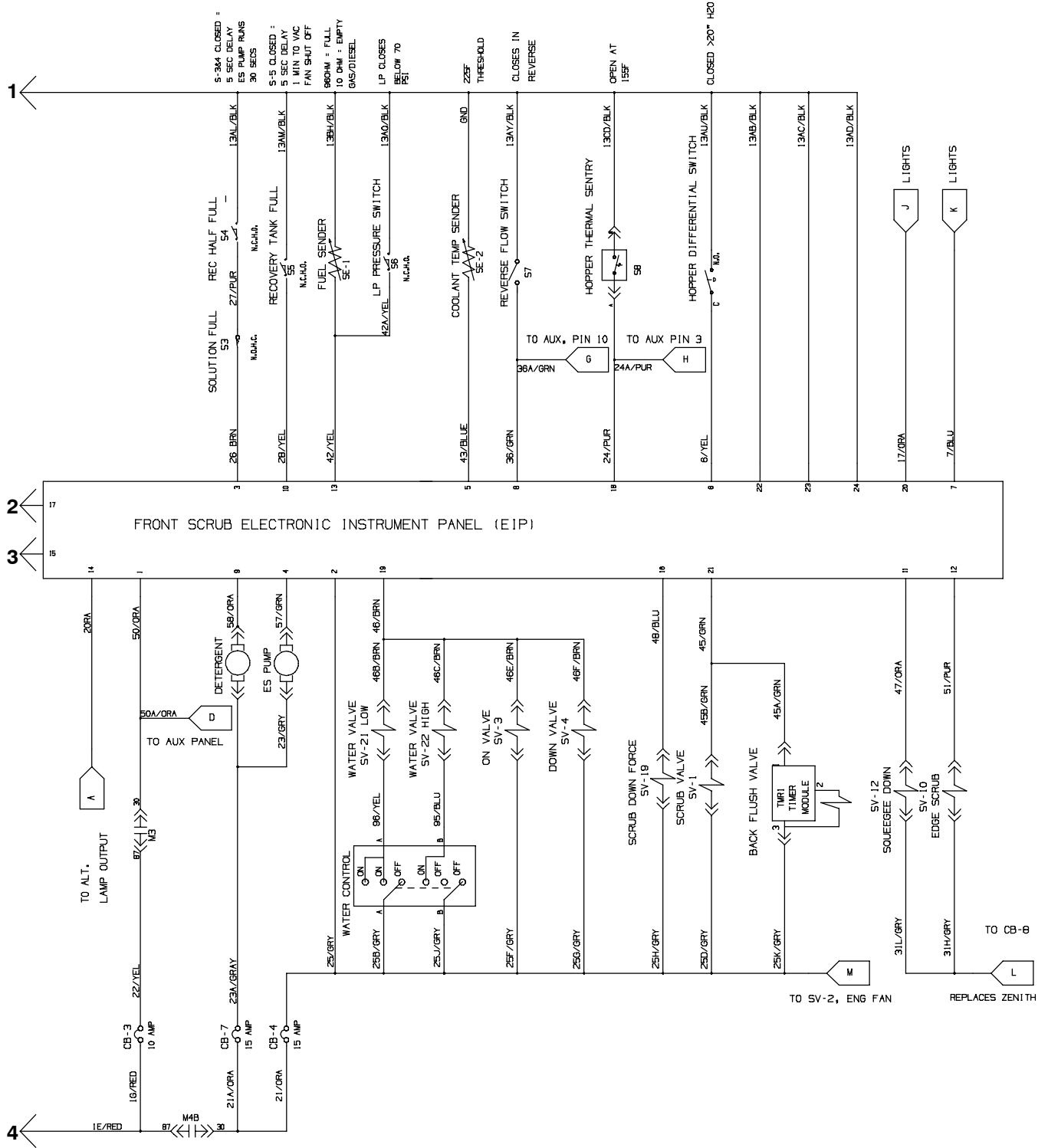


Fig. 111 - Electrical Schematic (014000-014214)

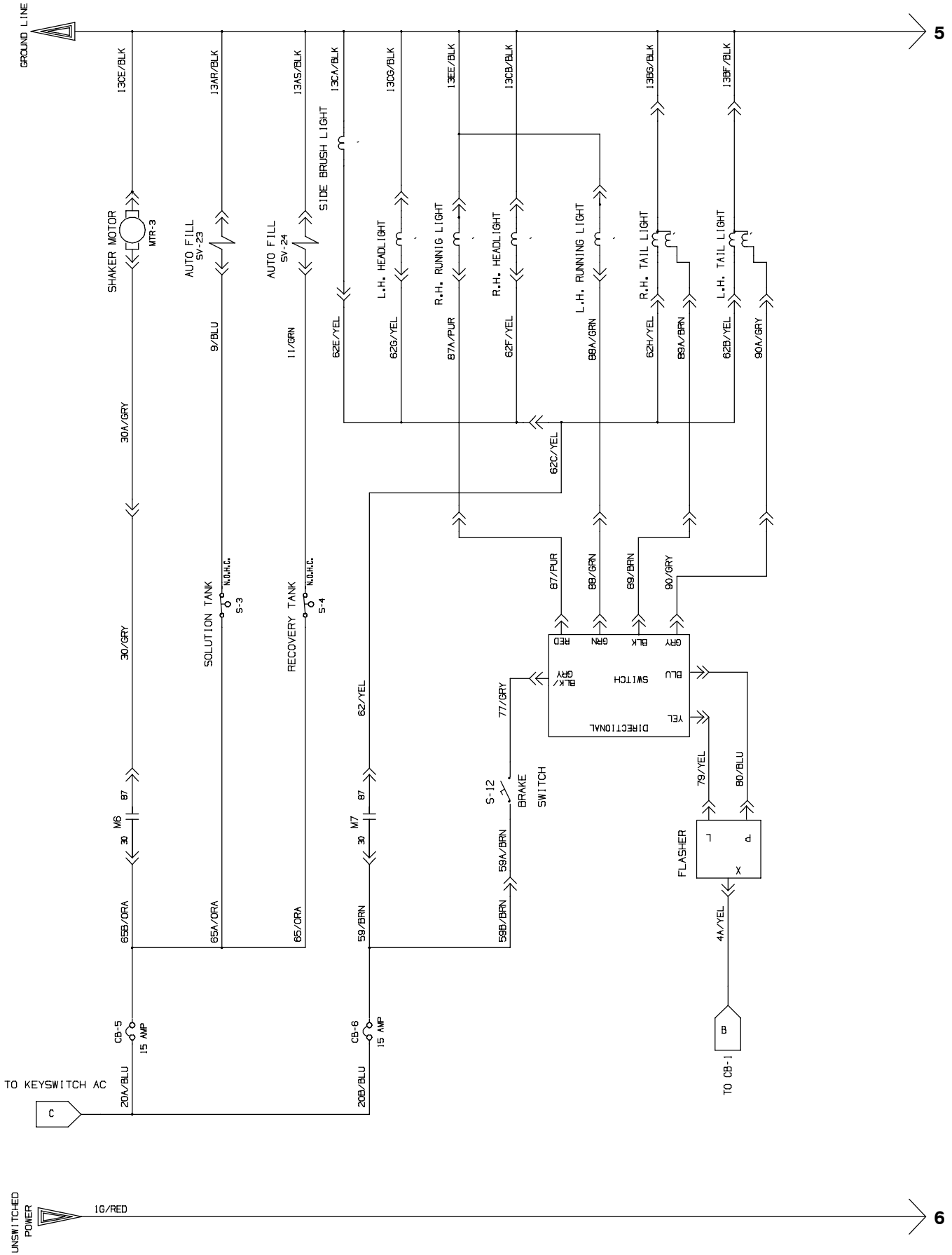
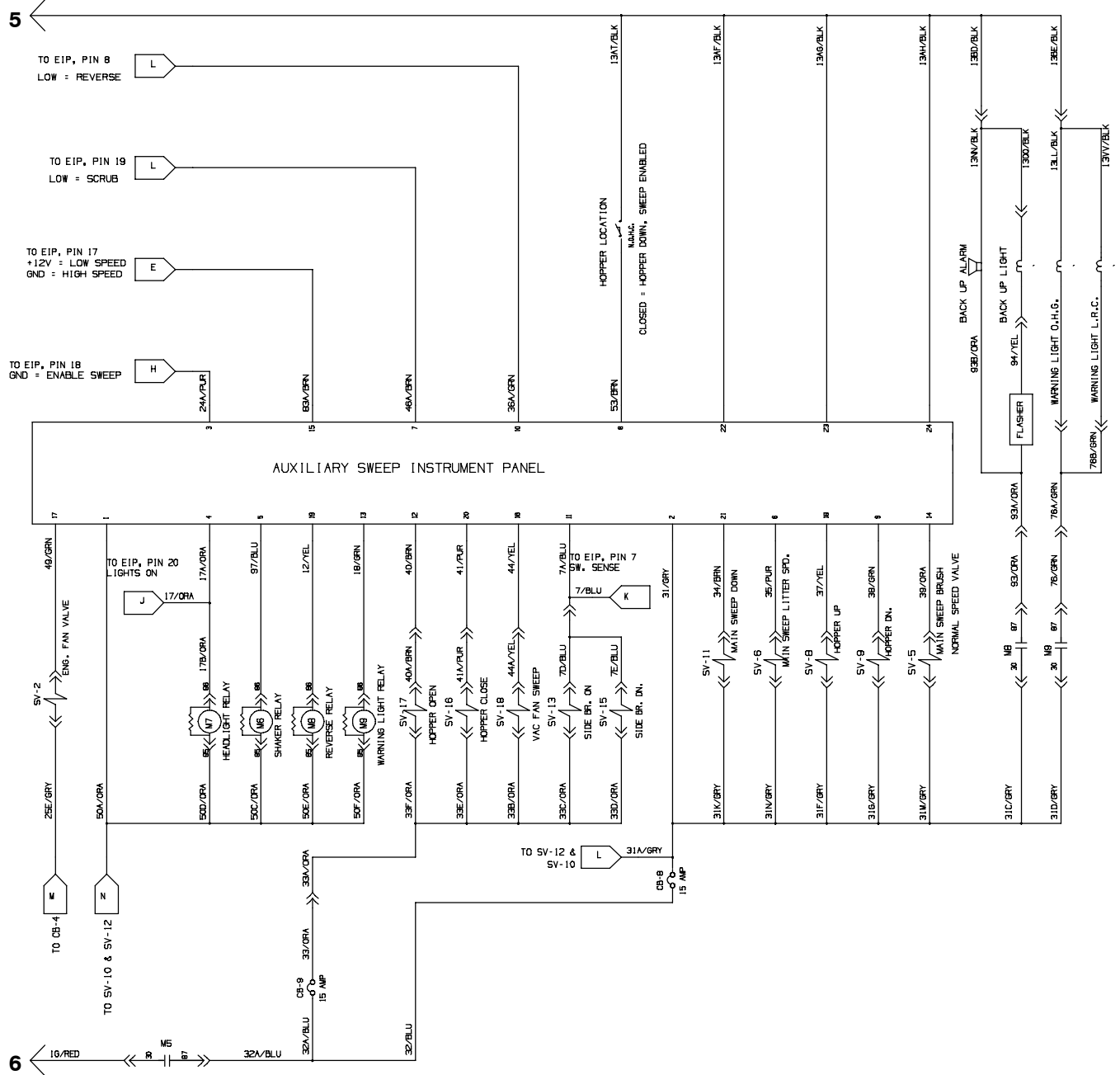




Fig. 111 - Electrical Schematic (014000-014214)



**Fig. 111 - Electrical Schematic (014000-014214)**

E - CONTROLS FUEL SYSTEM CONTROLLER

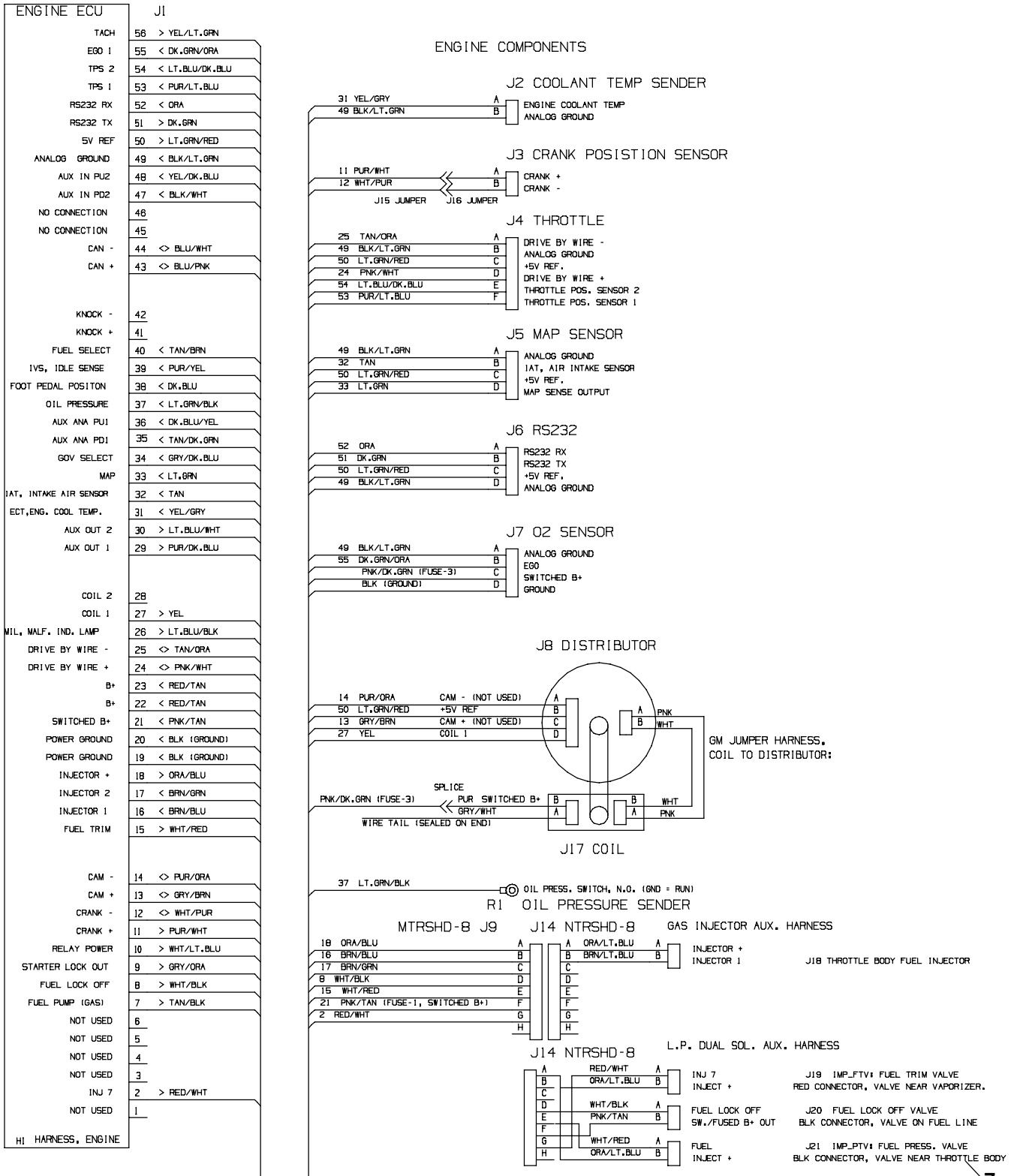
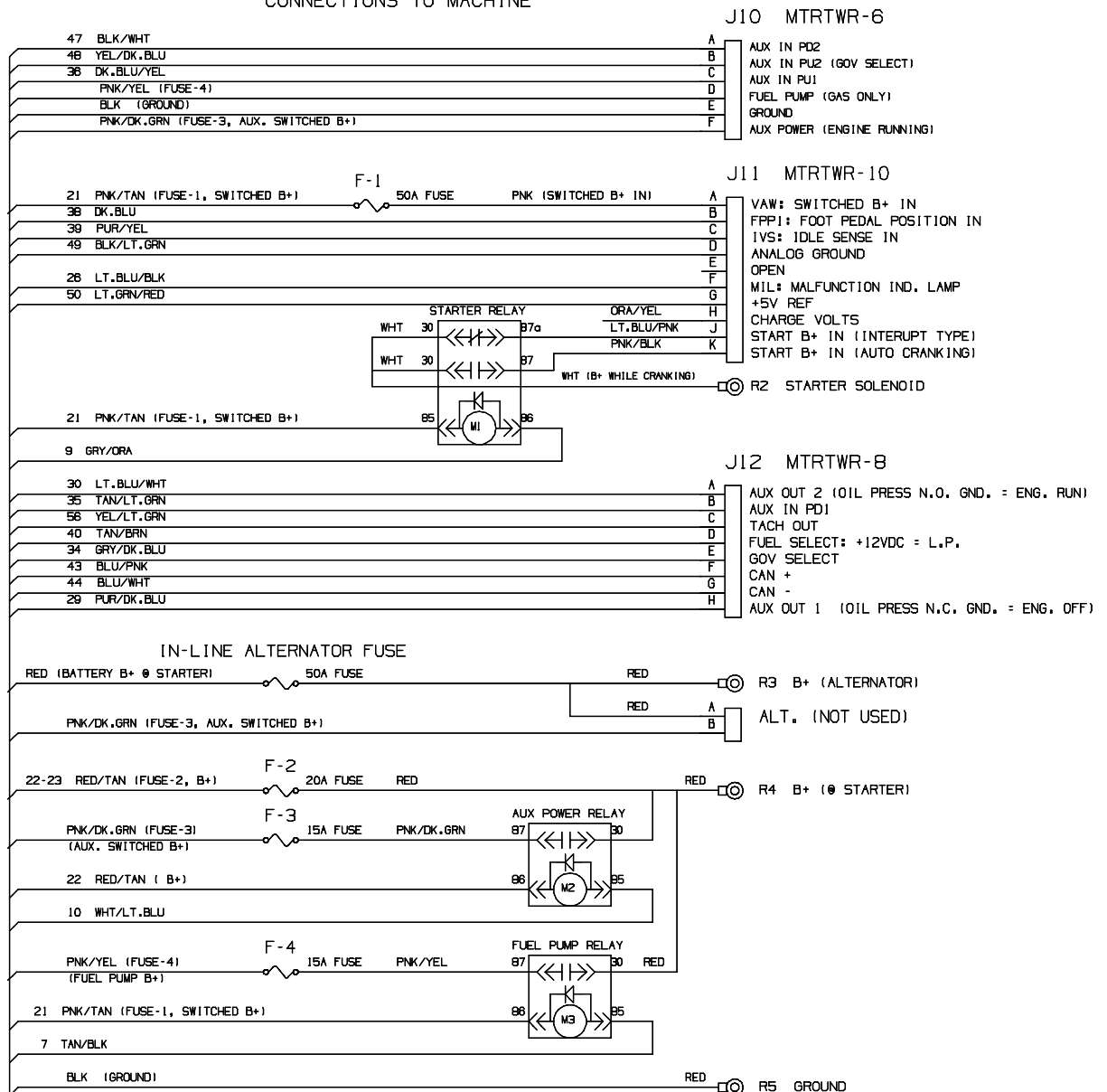


Fig. 111 - Electrical Schematic (014000-014214)

CONNECTIONS TO MACHINE



NOTES:

- 1) VENDOR: E-CONTROLS
- 2) ALL WIRE TO BE: SAE J1128 TXL
- 3) 3.0L GAS ENGINES INC. AUX. INJECTOR HARNESS:
- 4) L.P. ENGINES INCLUDE AUX. INJECTOR HARNESS:

Fig. 112 - Electrical Schematic (014215- )

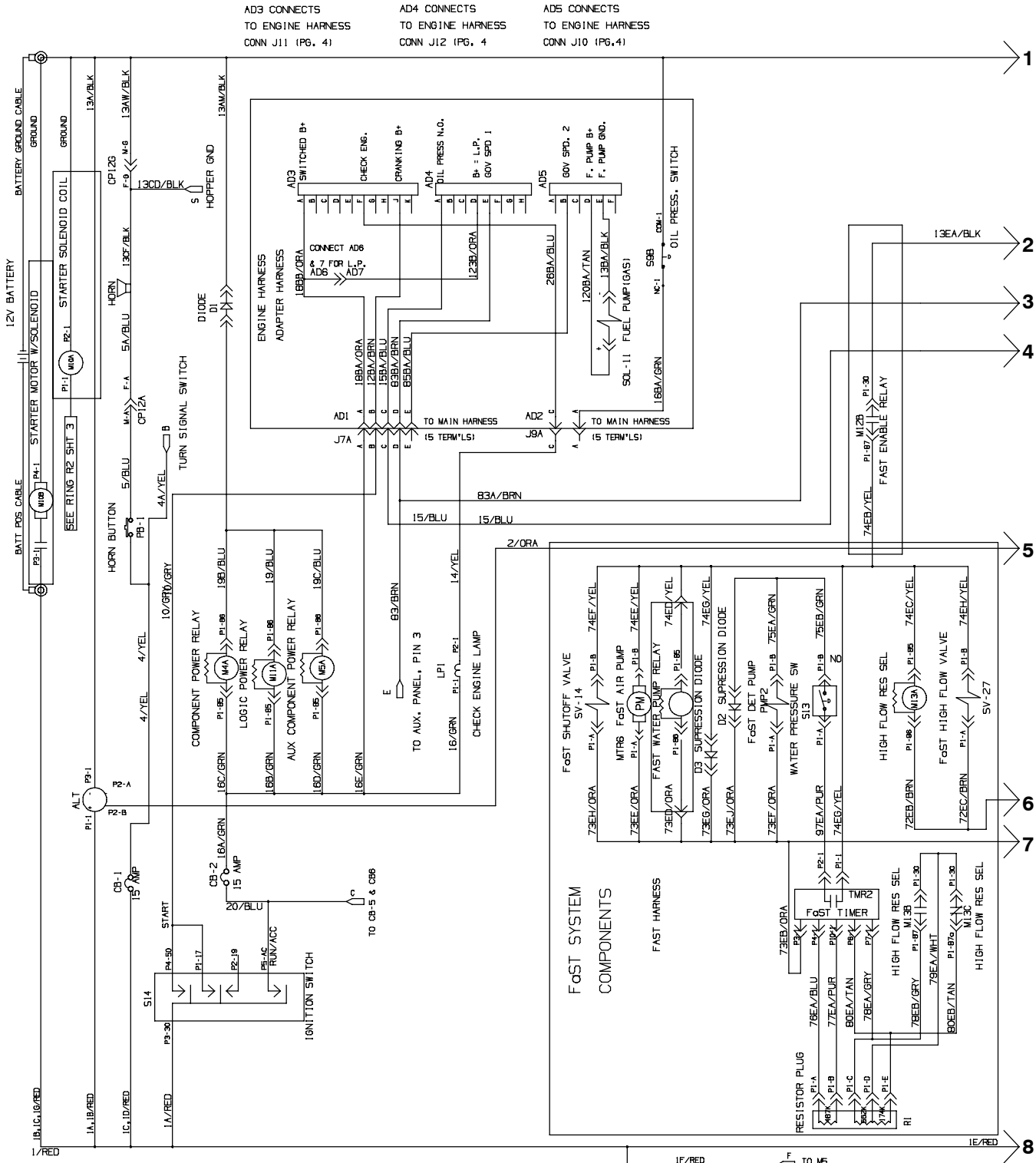


Fig. 112 - Electrical Schematic (014215- )

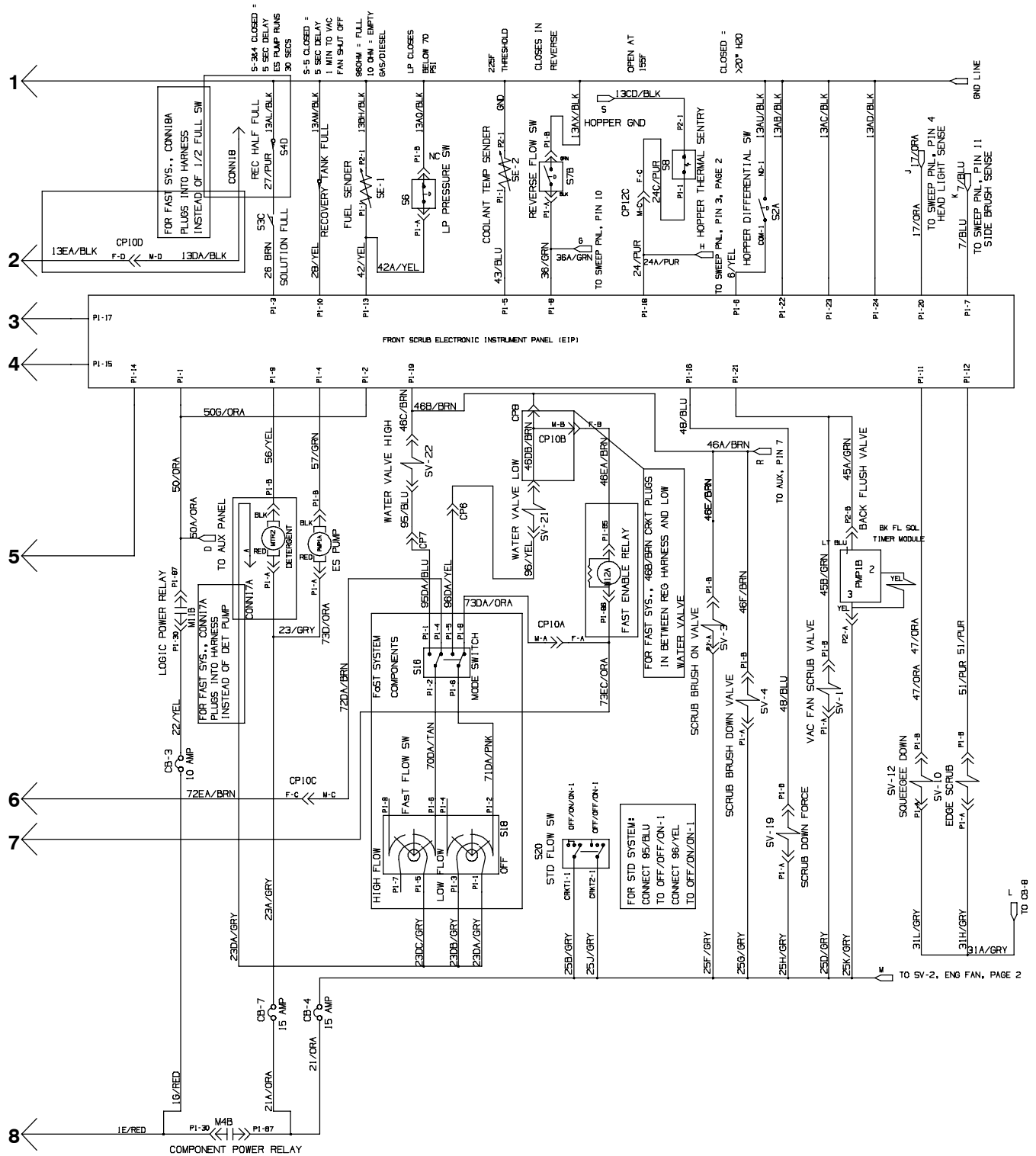


Fig. 112 - Electrical Schematic (014215- ) )

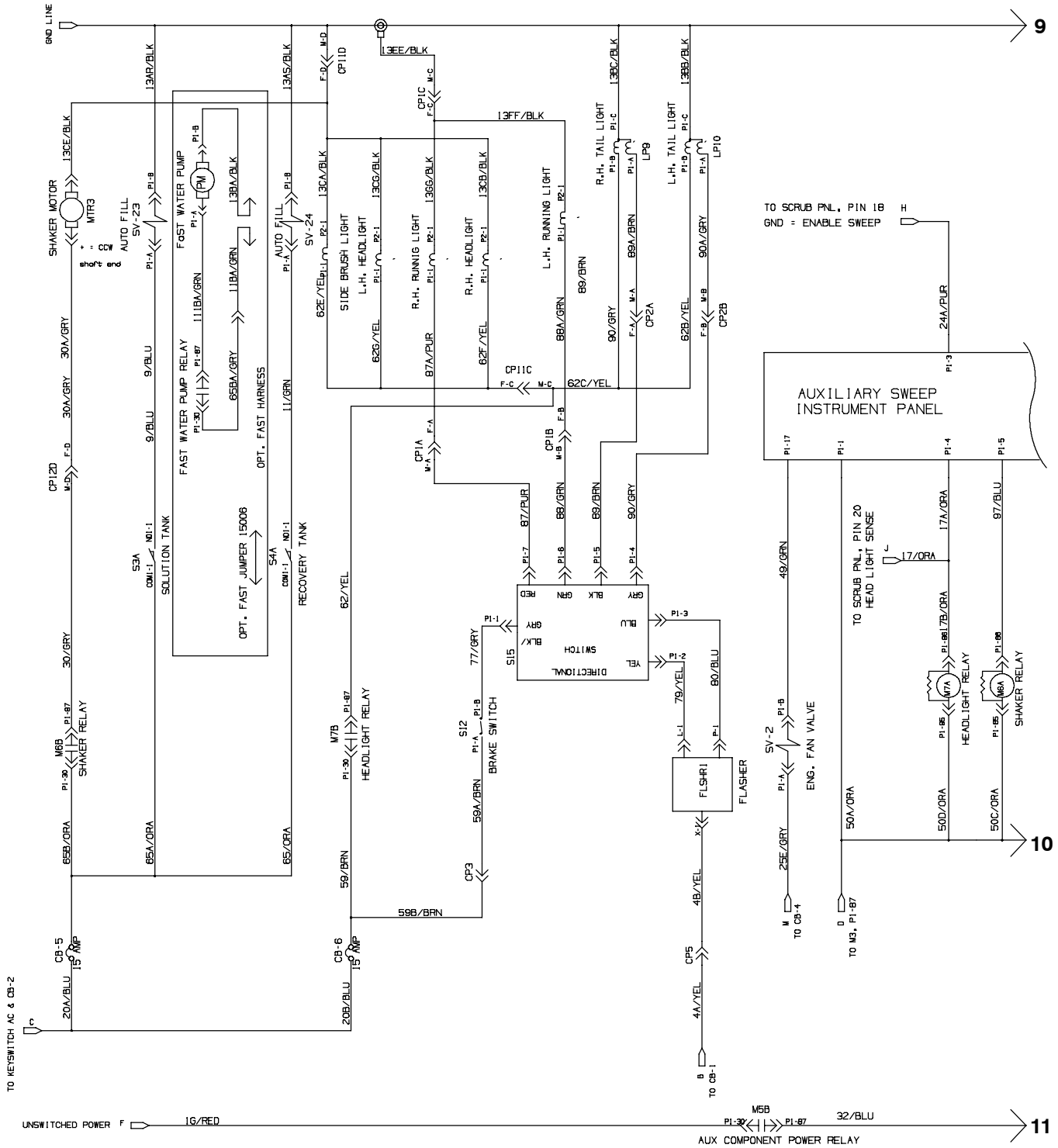


Fig. 112 - Electrical Schematic (014215- )

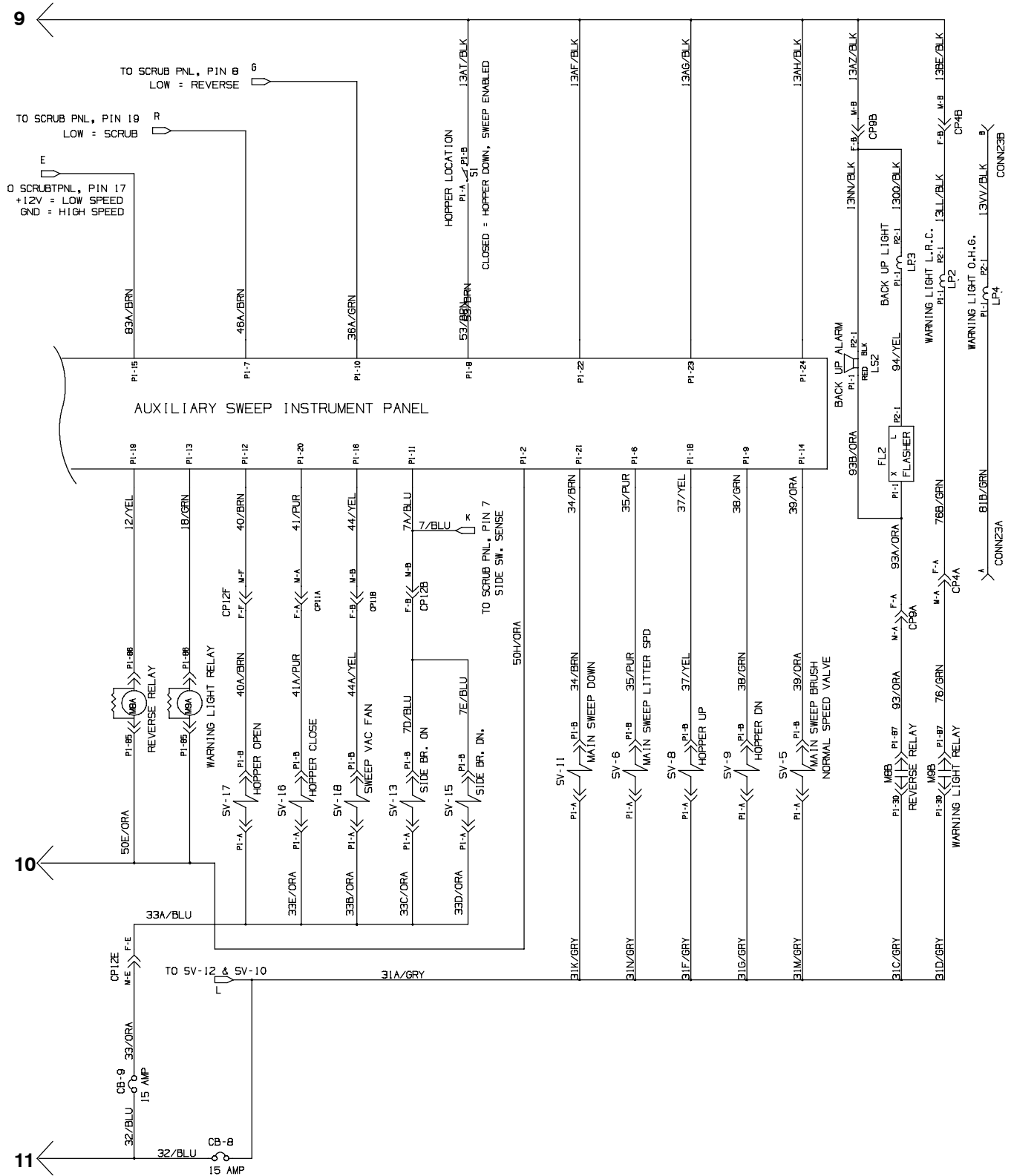


Fig. 112 - Electrical Schematic (014215- )

E - CONTROLS FUEL SYSTEM CONTROLLER

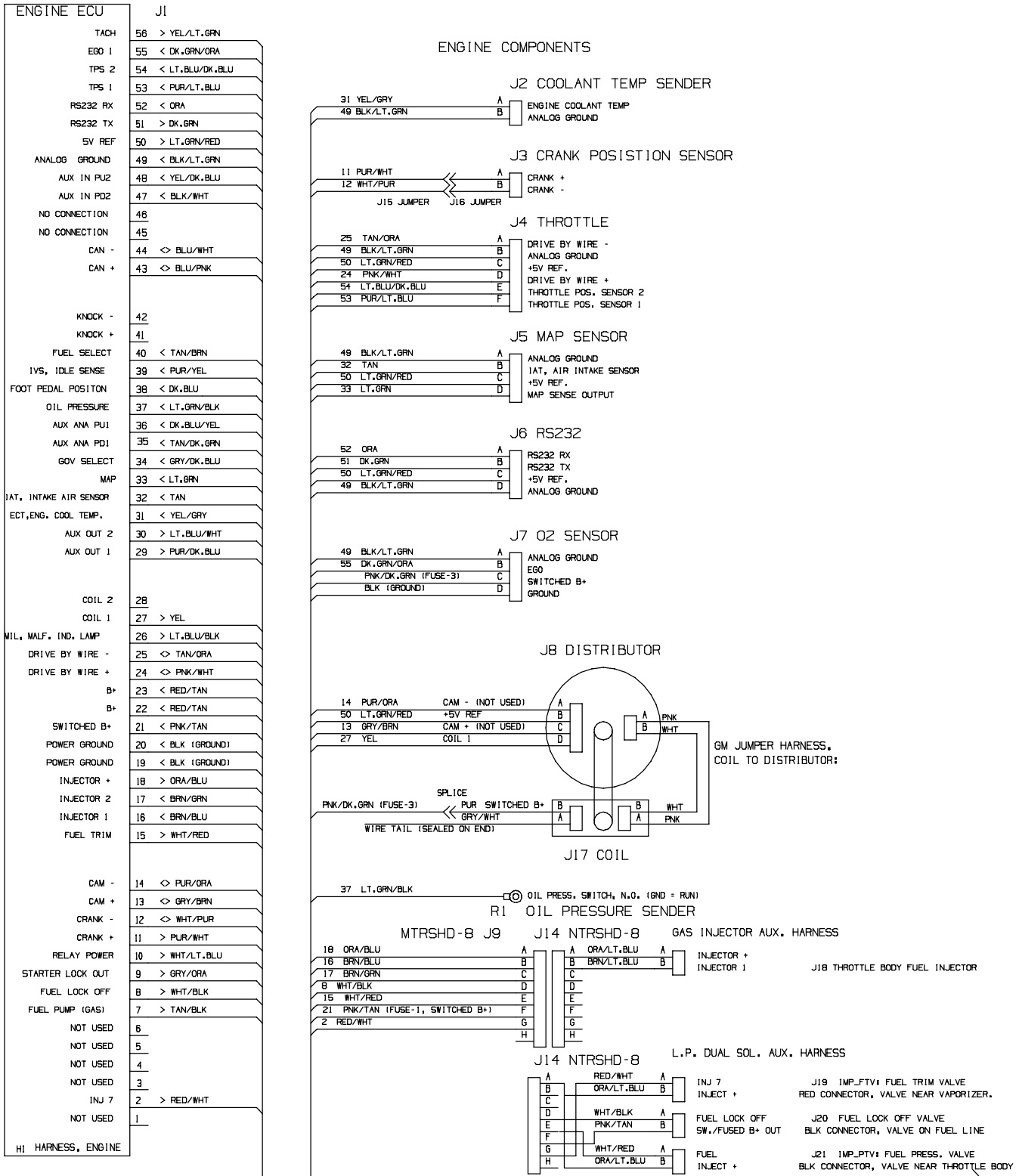
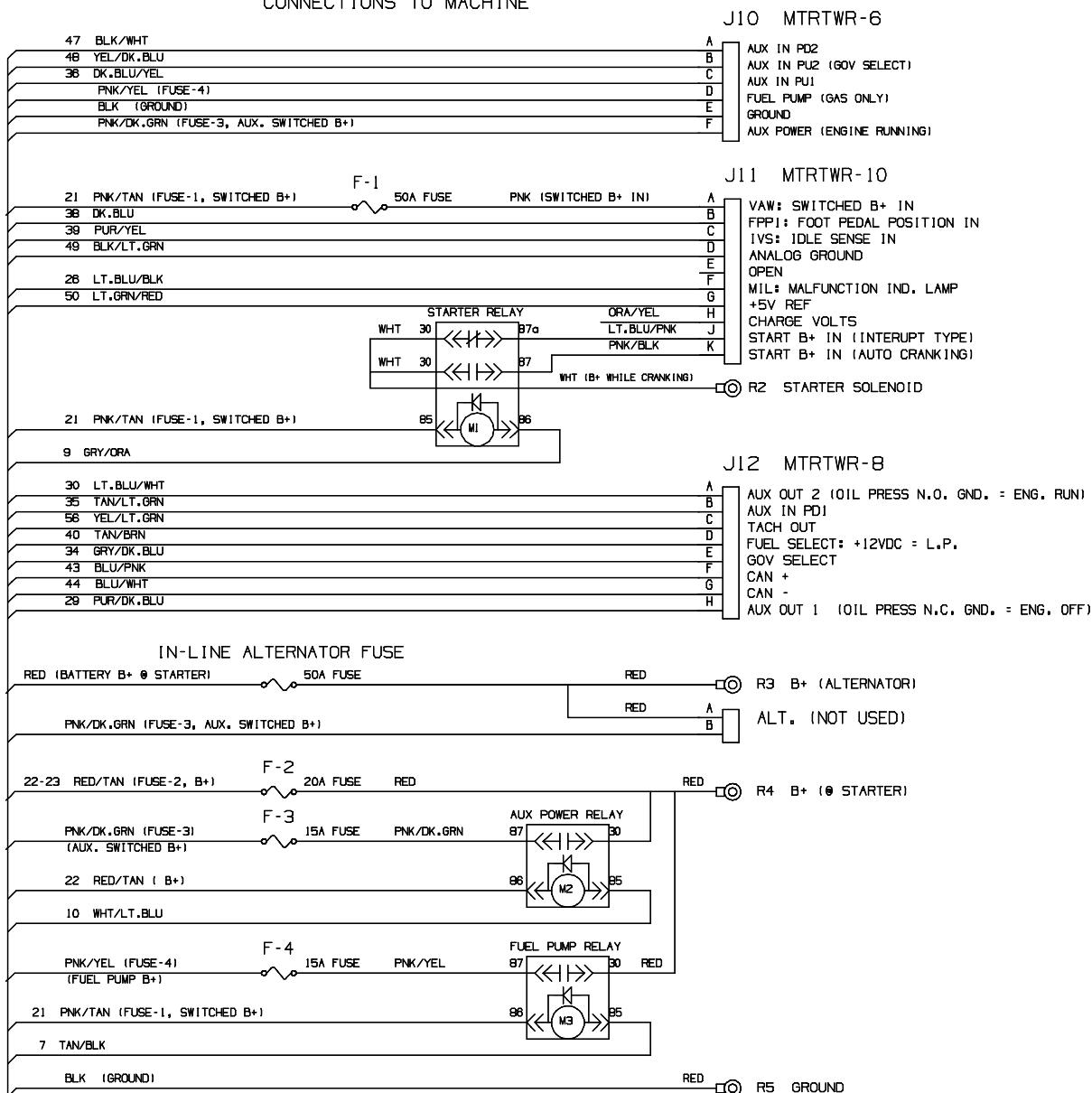




Fig. 112 - Electrical Schematic (014215- )  
CONNECTIONS TO MACHINE



- NOTES:
- 1) VENDOR: E-CONTROLS
  - 2) ALL WIRE TO BE: SAE J1128 TXL
  - 3) 3.0L GAS ENGINES INC. AUX. INJECTOR HARNESS:
  - 4) L.P. ENGINES INCLUDE AUX. INJECTOR HARNESS:

# STANDARD PARTS

Fig. 113 - Wire Harnesses Group (00000-013227)

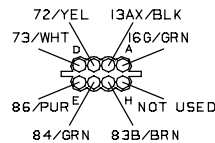
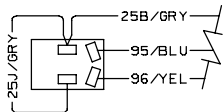
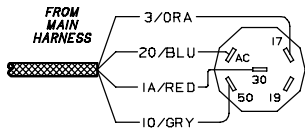
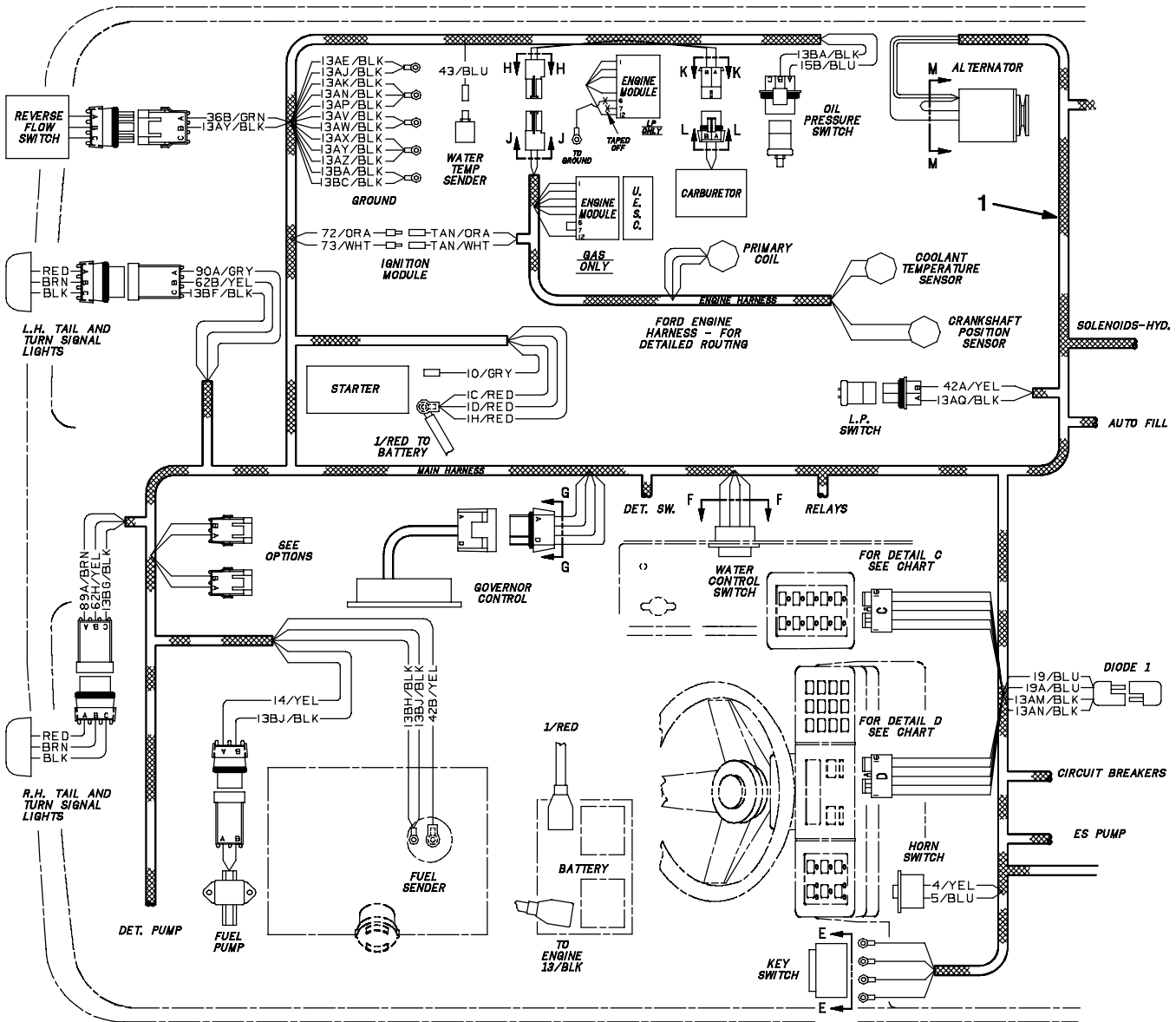
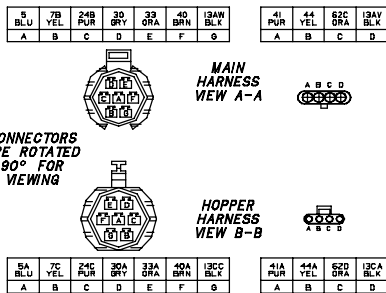
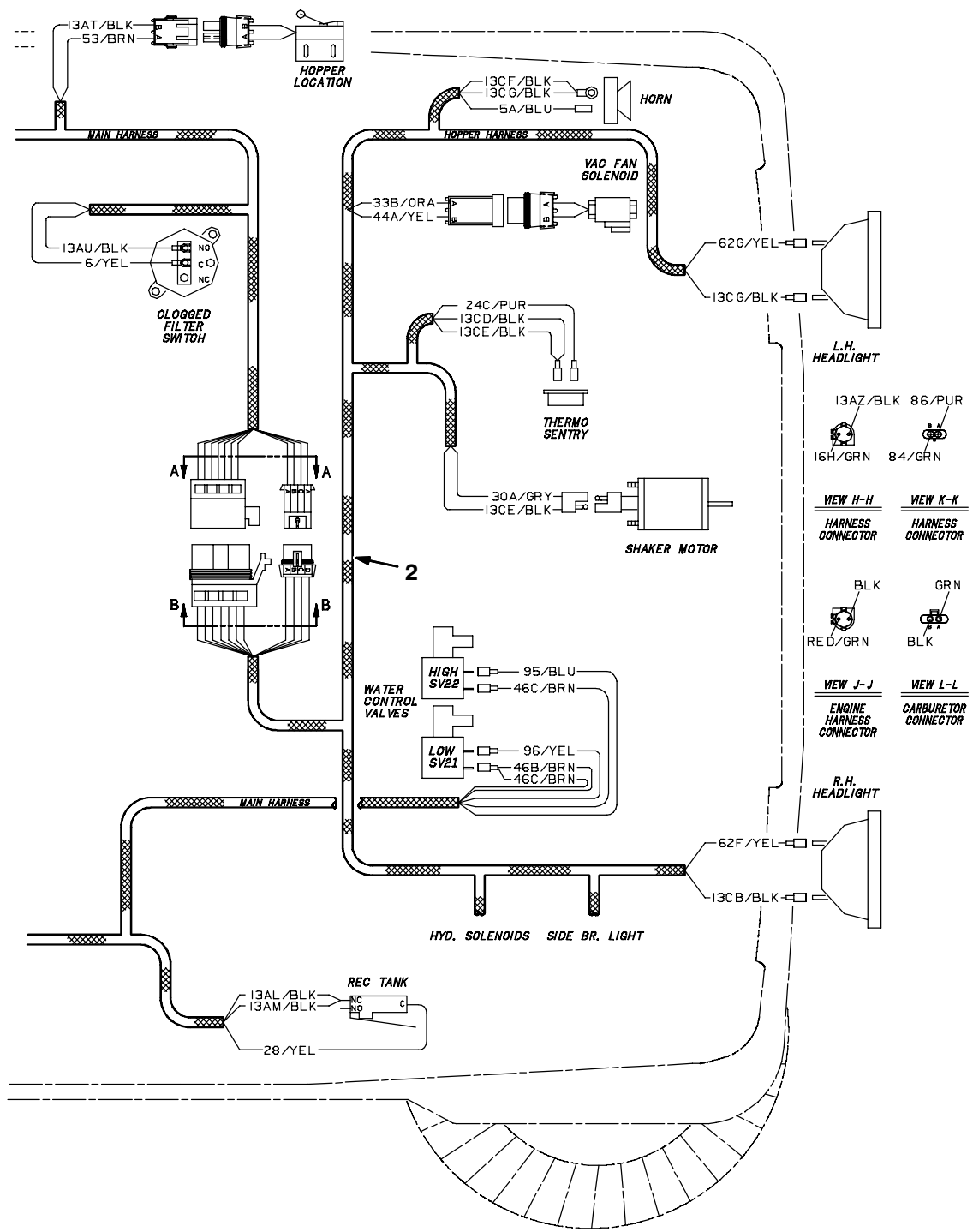


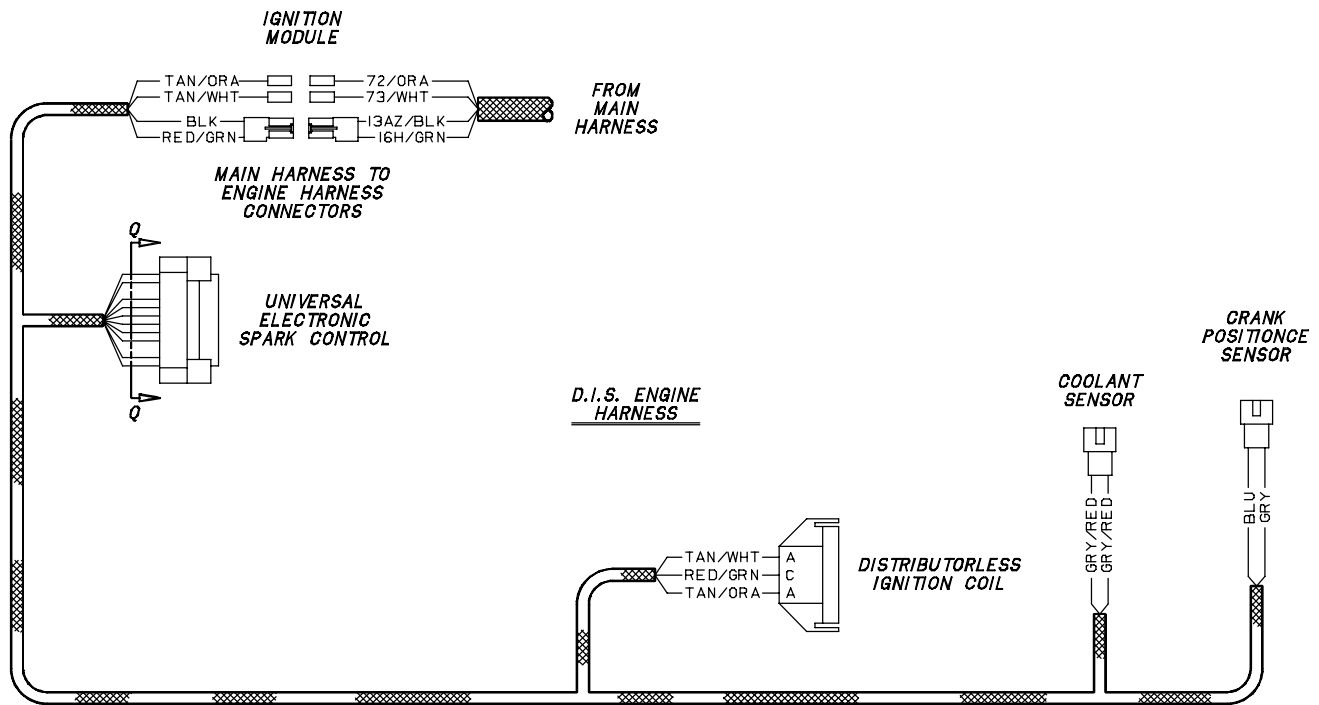
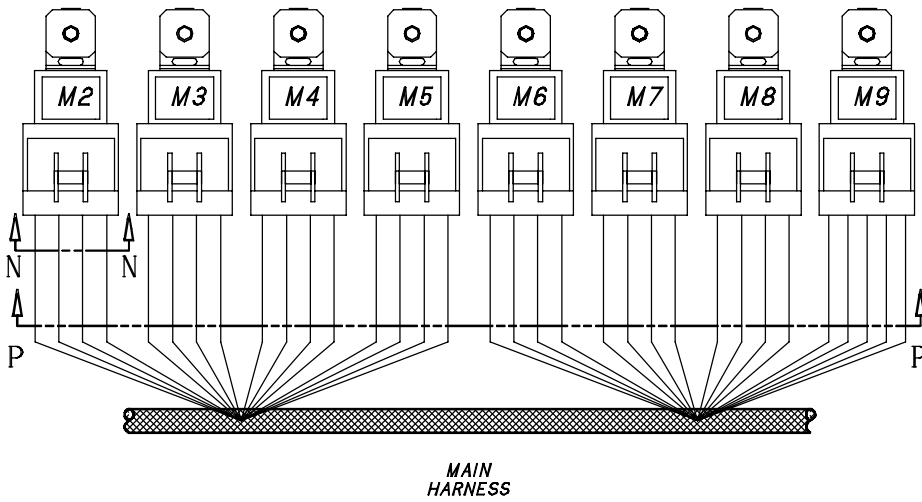
Fig. 113 - Wire Harness Group (000000-013227)



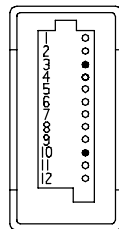
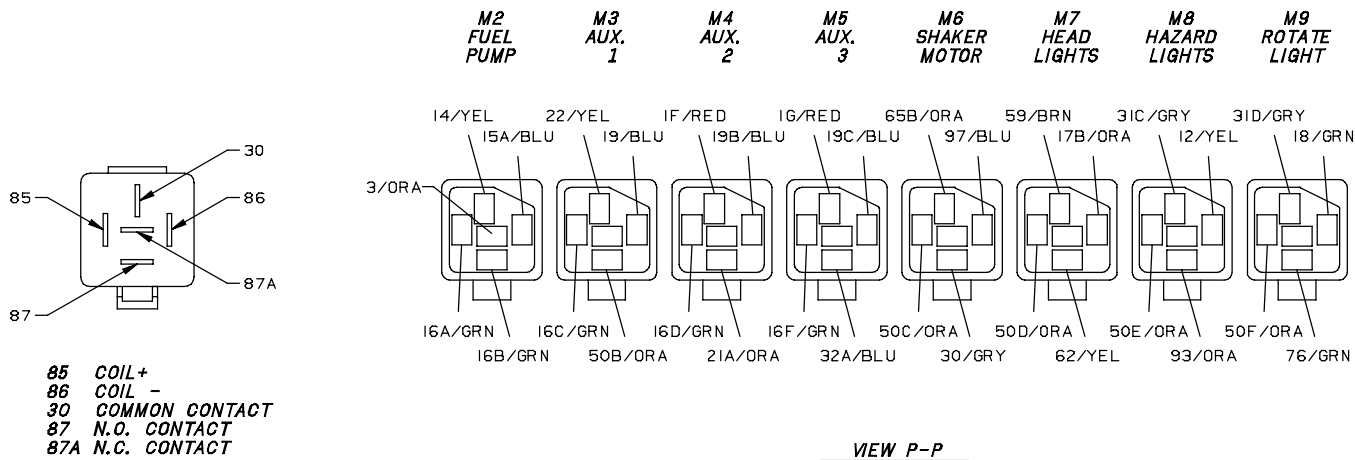
CONNECTORS ARE ROTATED 90° FOR VIEWING



**Fig. 113 - Wire Harnesses Group (000000-013227)**



**Fig. 113 - Wire Harnesses Group (000000-013227)**

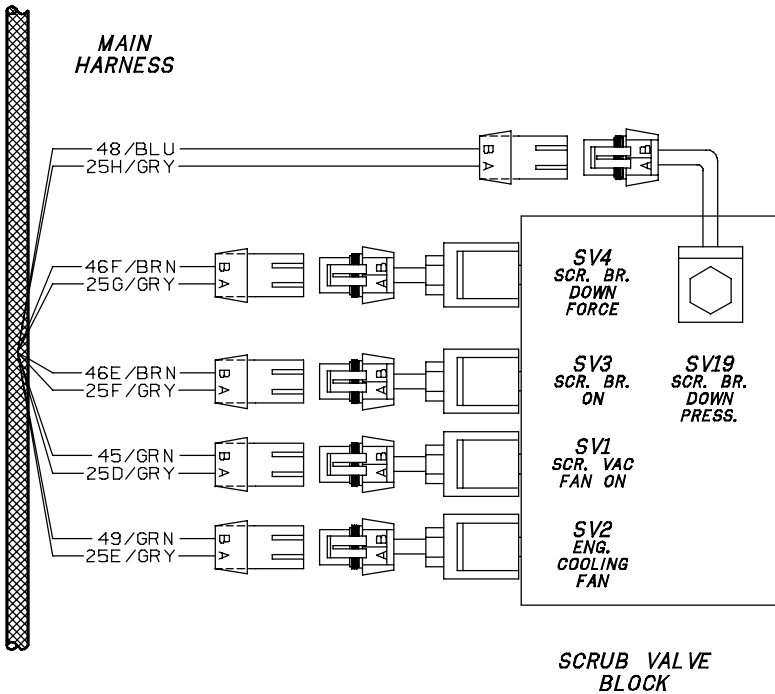
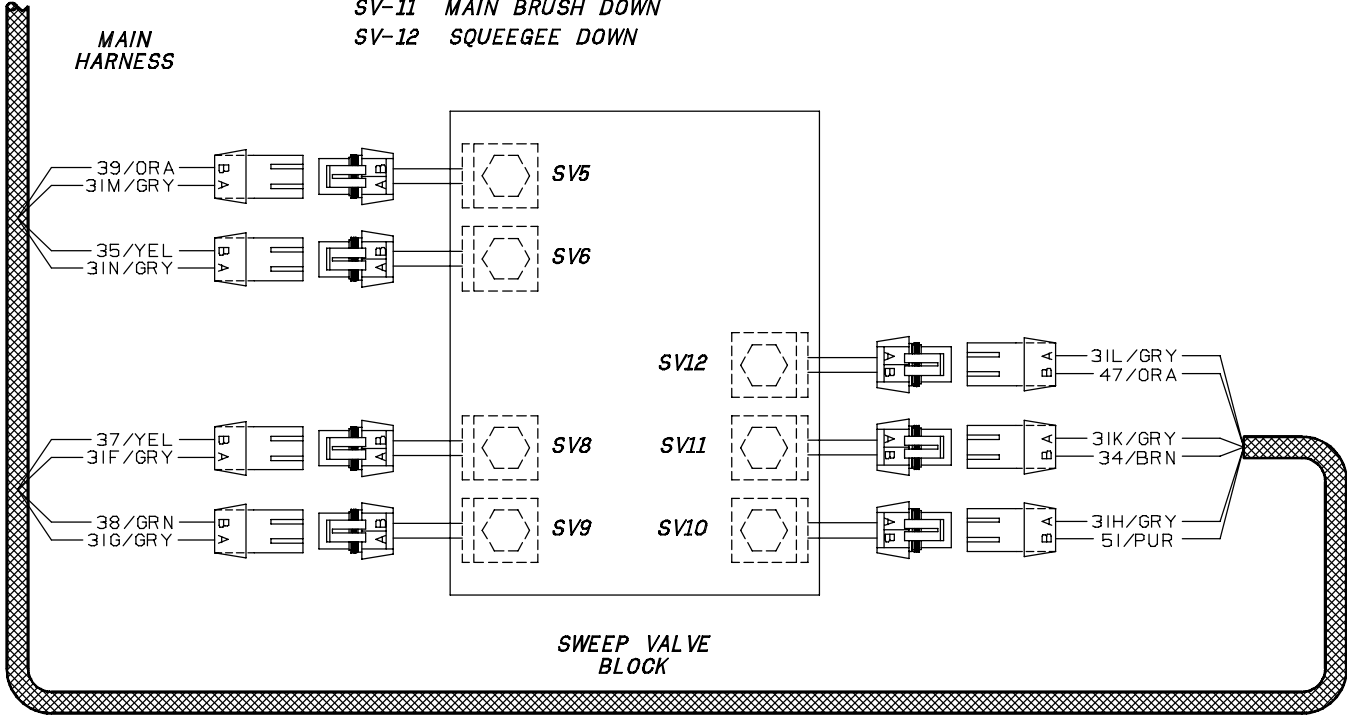


- \*1 — BLU .....CRANKSHAFT POS.
- \*2 — GRY .....CRANKSHAFT POS.
- \*3 — NOT USED...NOT USED
- \*4 — GRY/RED.....COOLANT TEMP.
- \*5 — GRY/RED.....COOLANT TEMP.
- \*6 — YEL/BLK.....ADVANCE SPARK 4°
- \*7 — YEL/BLK.....ADVANCE SPARK 2°
- \*8 — RED/GRN.....IGN. +12
- \*9 — BLK .....GROUND
- \*10 — NOT USED...NOT USED
- \*11 — TAN/WHT .....COIL #1
- \*12 — TAN/ORR .....COIL #2

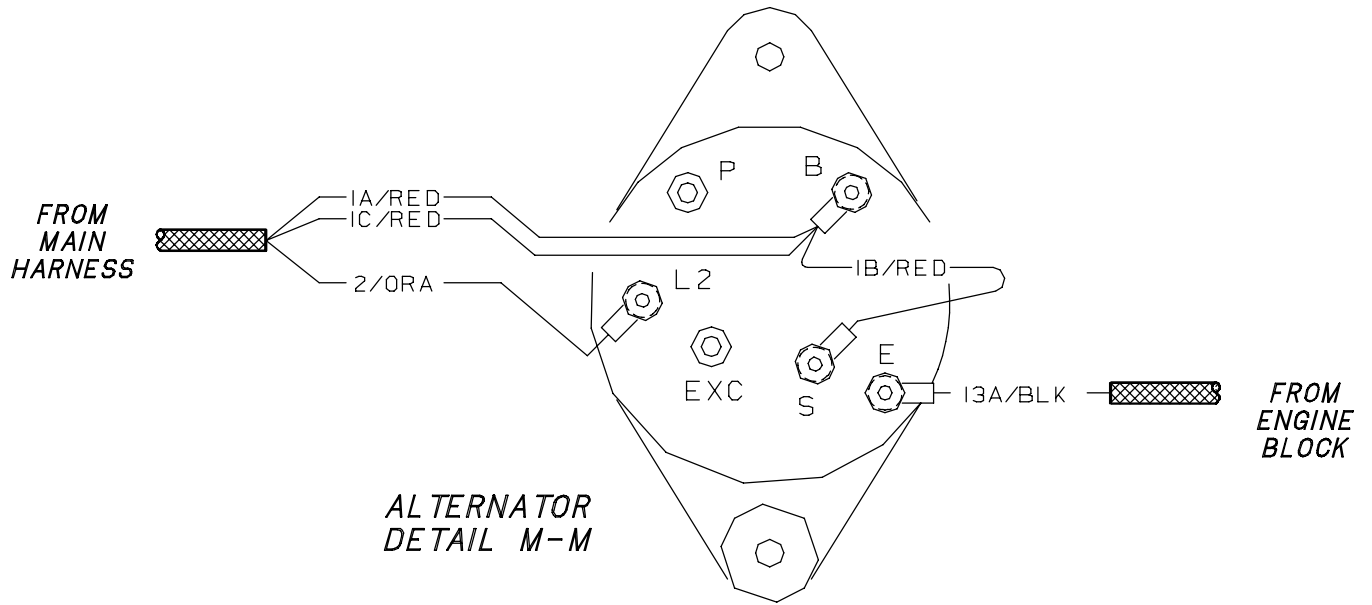
VIEW Q-Q  
**UNIVERSAL  
 ELECTRONIC  
 SPARK CONTROL**

**Fig. 113 - Wire Harnesses Group (000000-013227)**

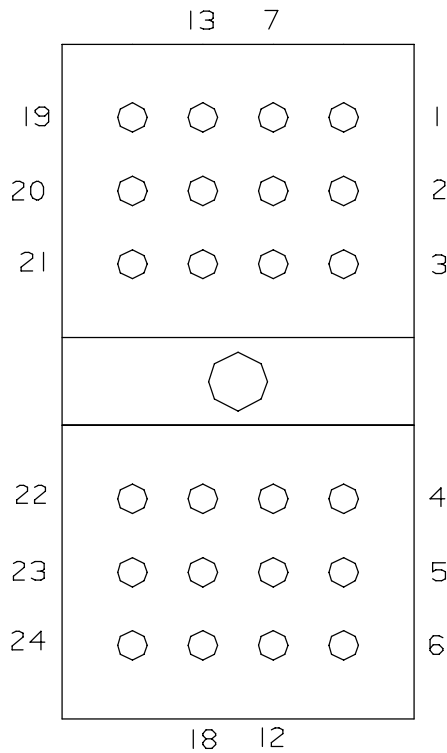
- SV-5 MAIN BRUSH ON - NORMAL SPEED
- SV-6 MAIN BRUSH ON - LITTER SPEED
- SV-8 HOPPER UP
- SV-9 HOPPER DOWN
- SV-10 EDGE SCRUB OUT
- SV-11 MAIN BRUSH DOWN
- SV-12 SQUEEGEE DOWN



**Fig. 113 - Wire Harnesses Group (000000-013227)**



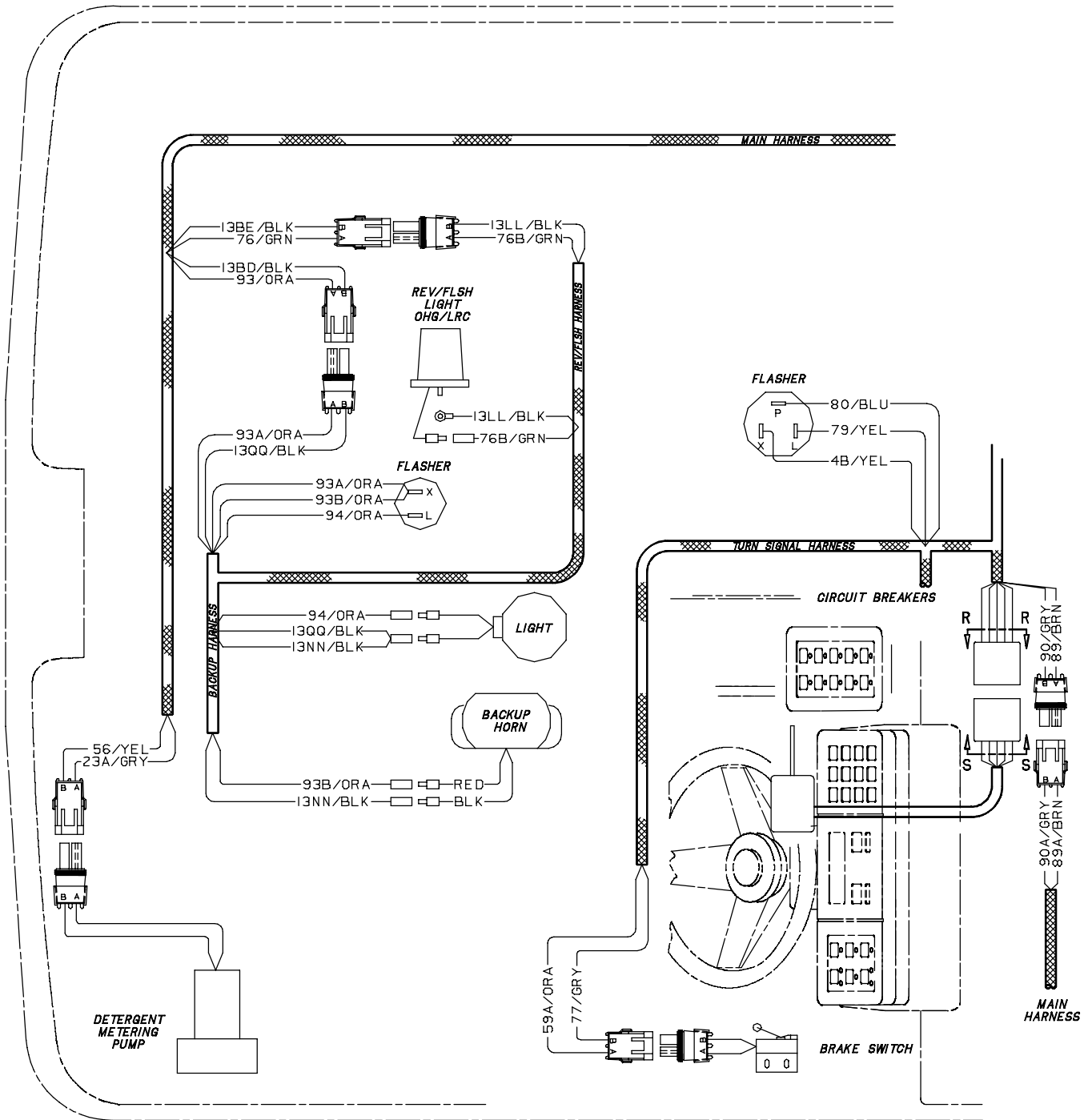
**CONNECTOR WIRING**



**MAIN/AUXILLARY  
INSTRUMENT PANEL  
REAR VIEW  
(REFERENCE ONLY)**

SOC. NO.	CONN. C.	CONN. D.
1	50A/GRY	50J/ORA
2	50H/ORA	50G/ORA
3	24A/PUR	26/BRN
4	17A/ORA	57/GRN
5	97/BLU	43/BLU
6	35/YEL	6/YEL
7	46A/BRN	7/BLU
8	53/BRN	36/GRN
9	38/GRN	56/YEL
10	36A/GRN	28/YEL
11	7A/BLU	47/ORA
12	40/BRN	51/PUR
13	18/GRN	42/YEL
14	39/ORA	2/ORA
15	83A/BRN	15/BLU
16	44/YEL	48/BLU
17	49/GRN	83/BRN
18	37/YEL	24/PUR
19	12/YEL	46/BRN
20	41/PUR	17/ORA
21	34/BRN	45/GRN
22	13AF/BLK	13AB/BLK
23	13AG/BLK	13AC/BLK
24	13AH/BLK	13AD/BLK

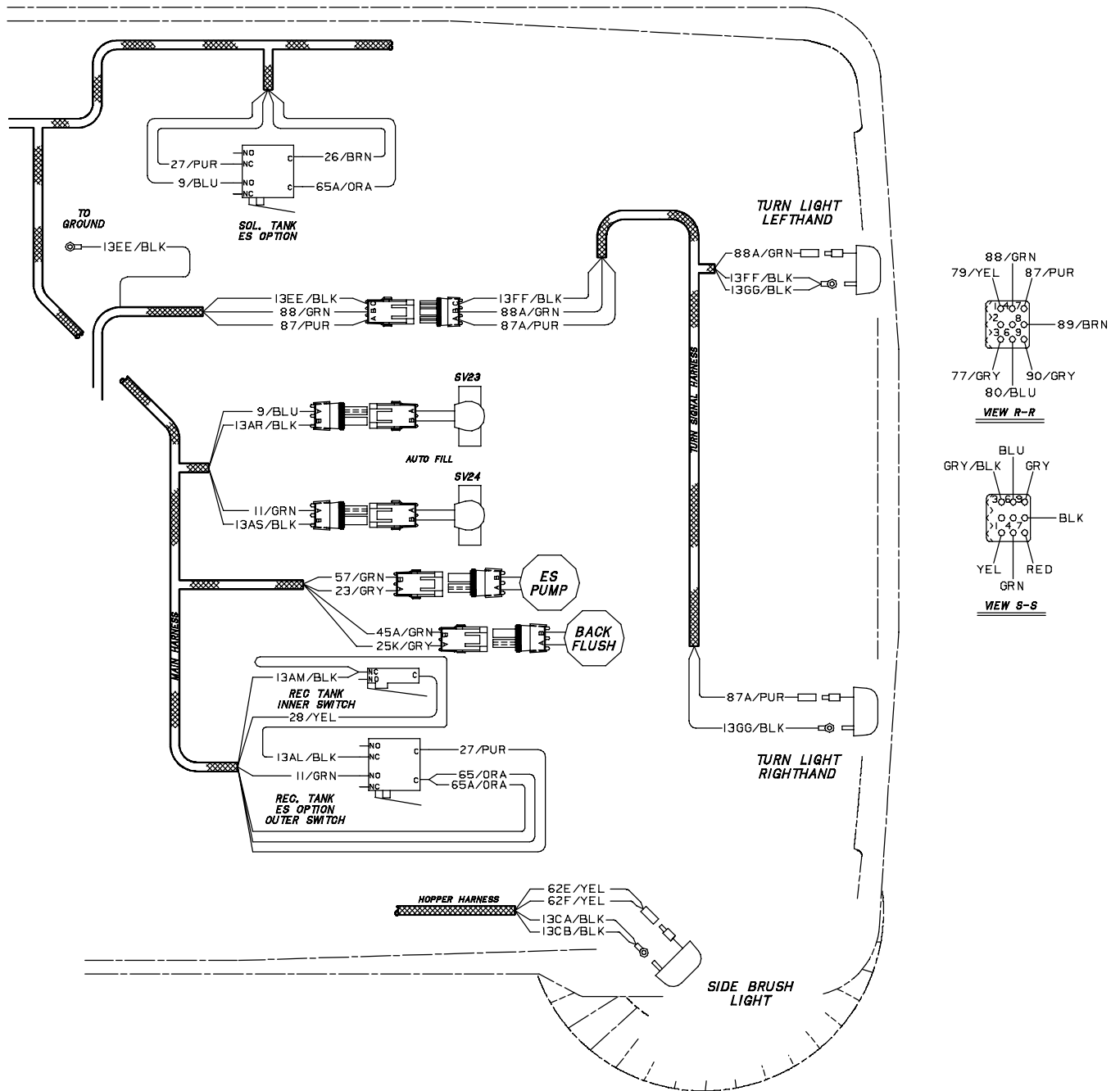
**Fig. 113 - Wire Harnesses Group (000000-013227)**



**OPTIONS**



Fig. 113 - Wire Harnesses Group (000000-013227)



OPTIONS

Fig. 113 - Wire Harnesses Group (000000-013227)

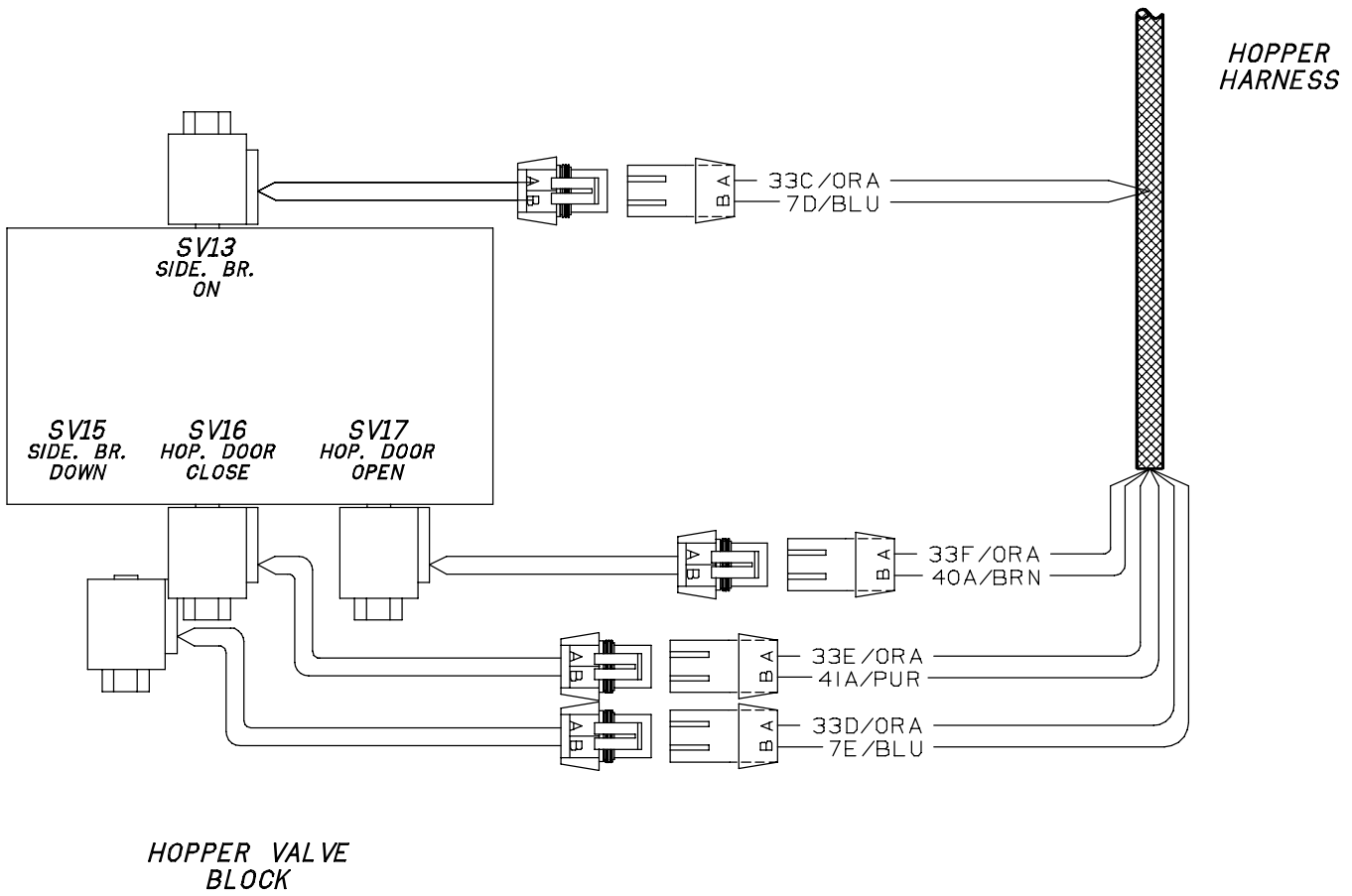
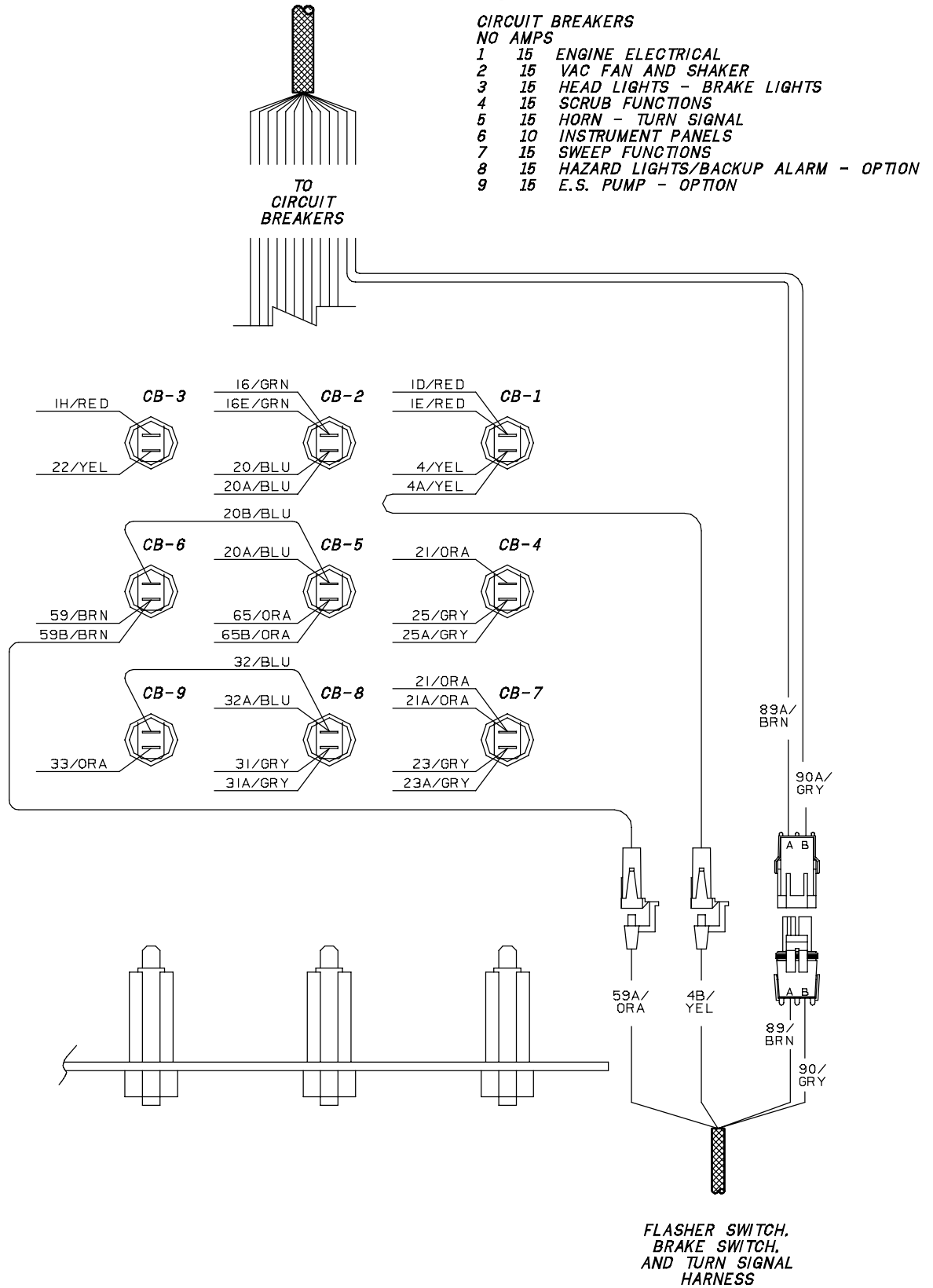


Fig. 113 - Wire Harnesses Group (000000-013227)



11077 - 8410, G, LP

Ref.	Tenant Part No.	Machine Serial Number	Description	Qty.
1	83723	(000000-013227 )	Harness, Main, 8410 Gas/Lpg	1
2	83721	(000000-013227 )	Harness, Hopper 8410	1

Fig. 114 - Wire Harness Group (013228-013999)

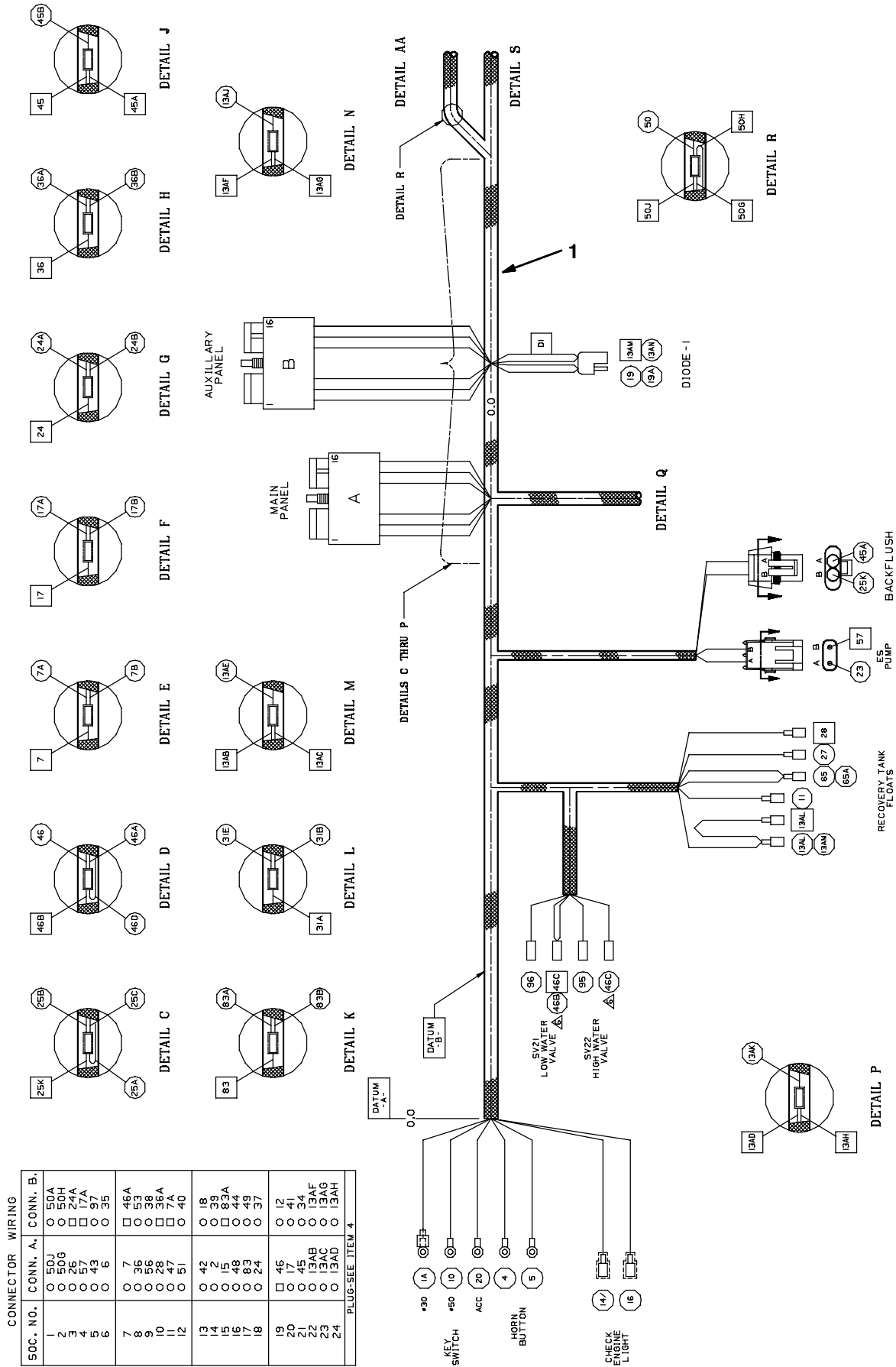


Fig. 114 - Wire Harness Group (013228-013999)

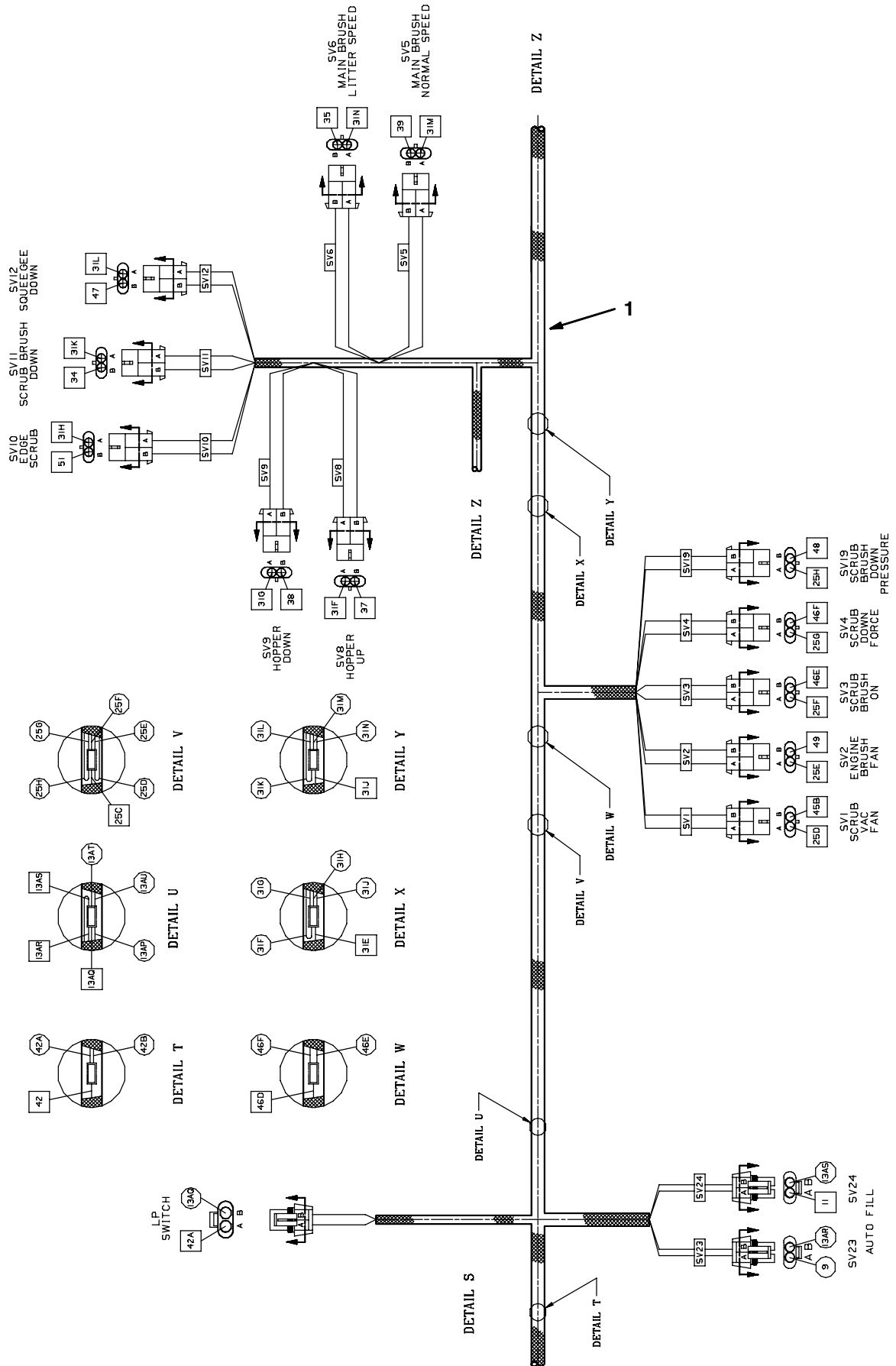


Fig. 114 - Wire Harness Group (013228-013999)

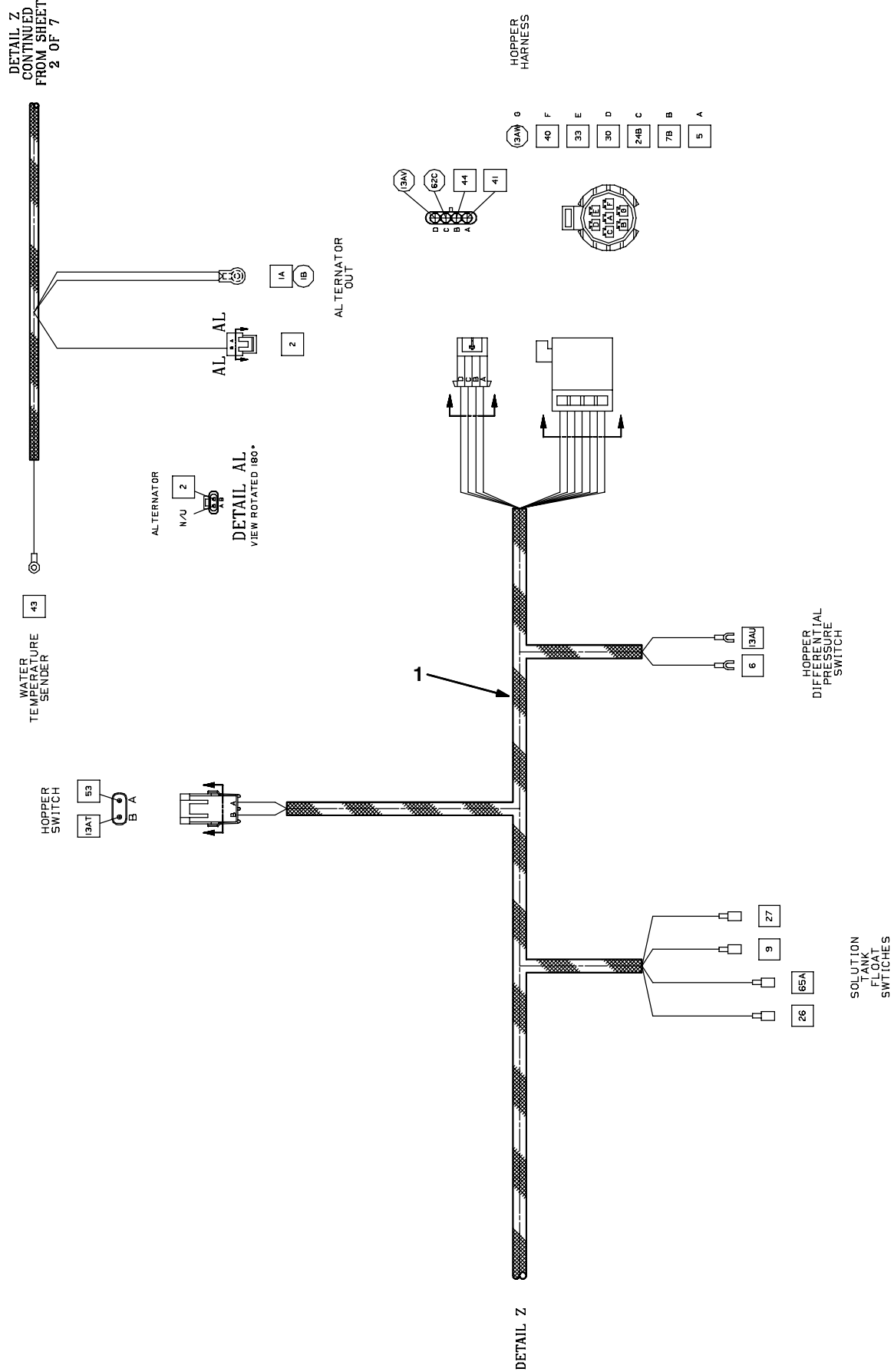


Fig. 114 - Wire Harness Group (013228-013999)

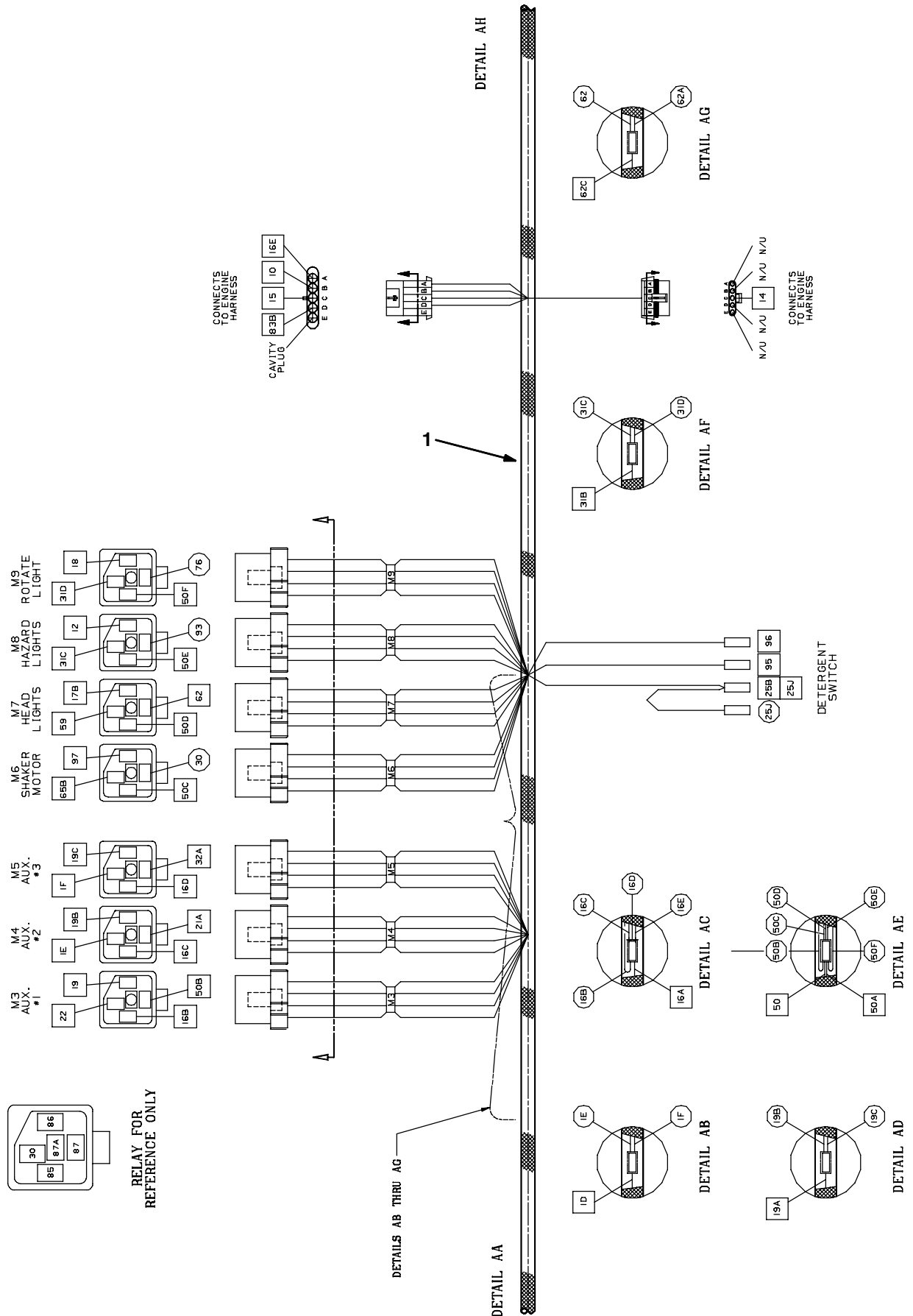


Fig. 114 - Wire Harness Group (013228-013999)

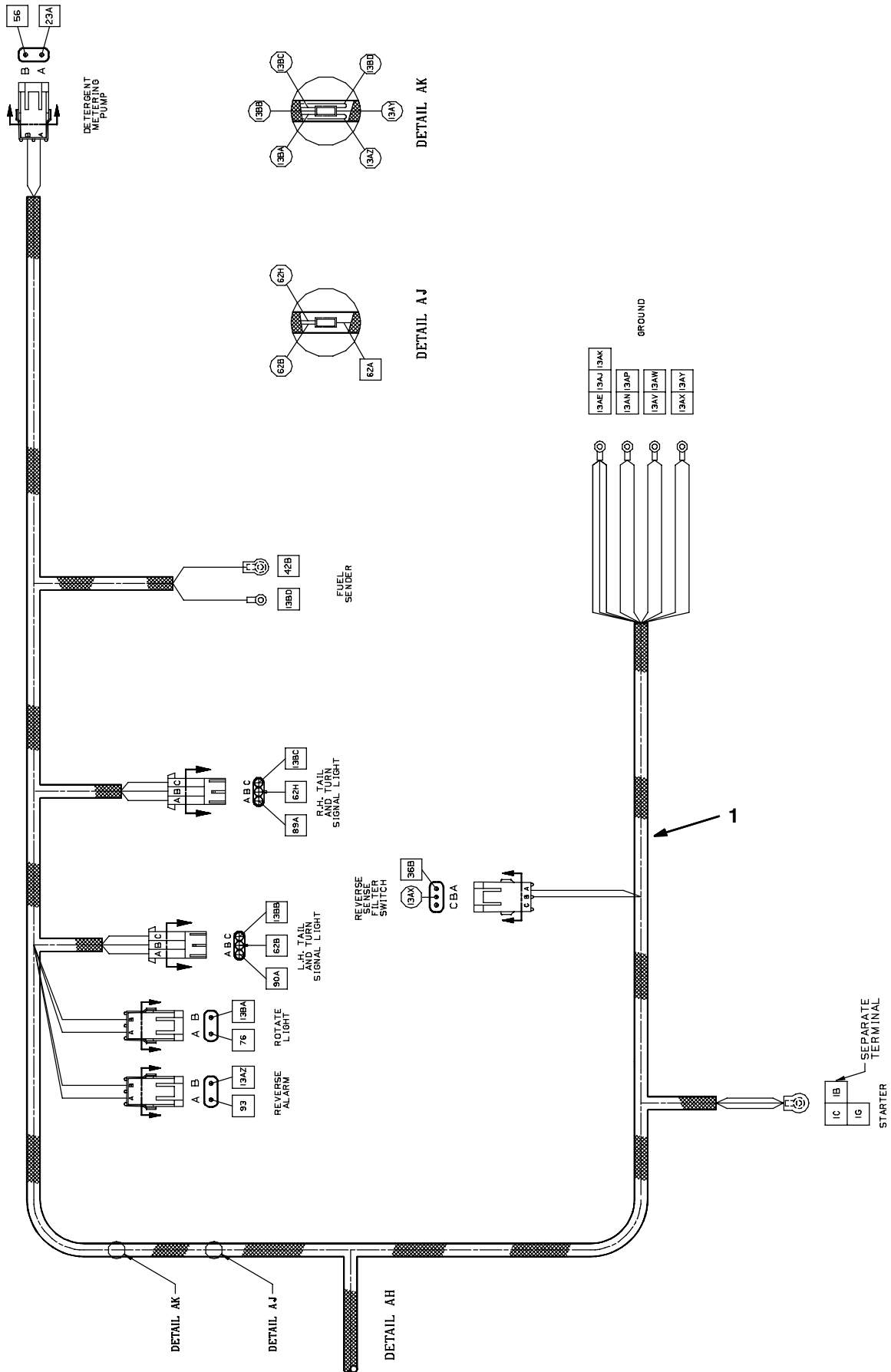




Fig. 114 - Wire Harnesses Group (013228-013999)  
 DETAIL Q

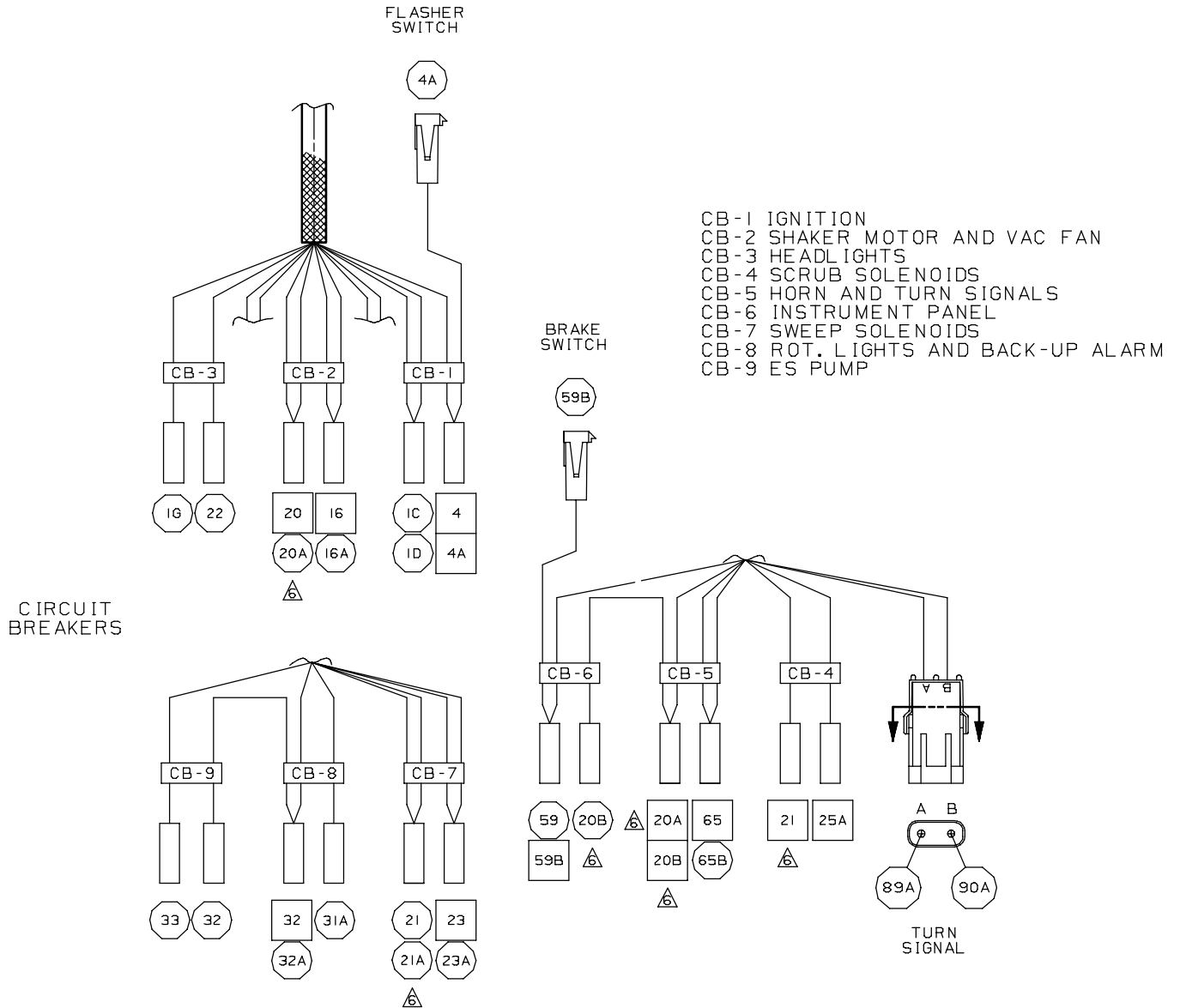


Fig. 114 - Wire Harness Group (013228-013999)

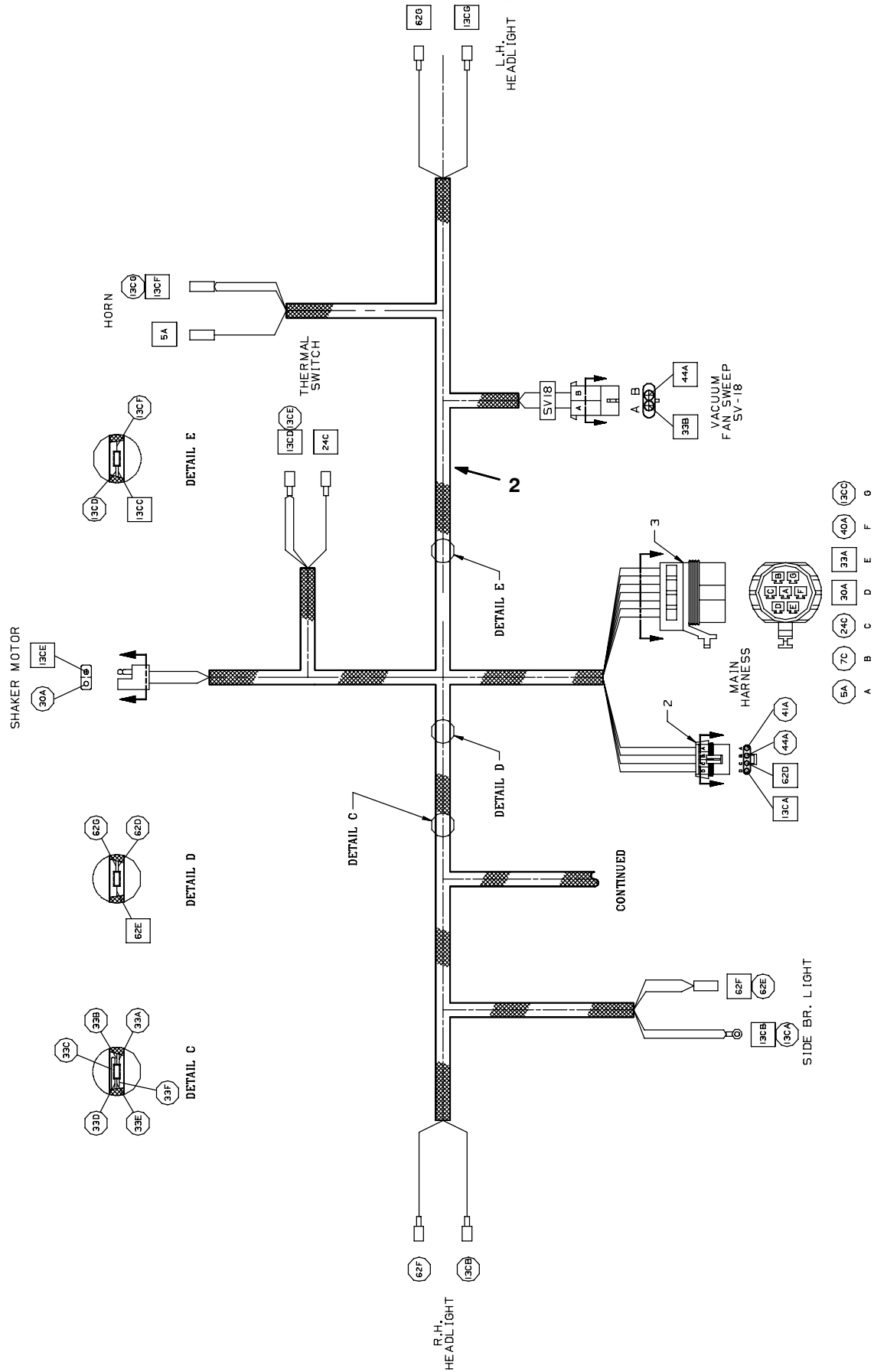
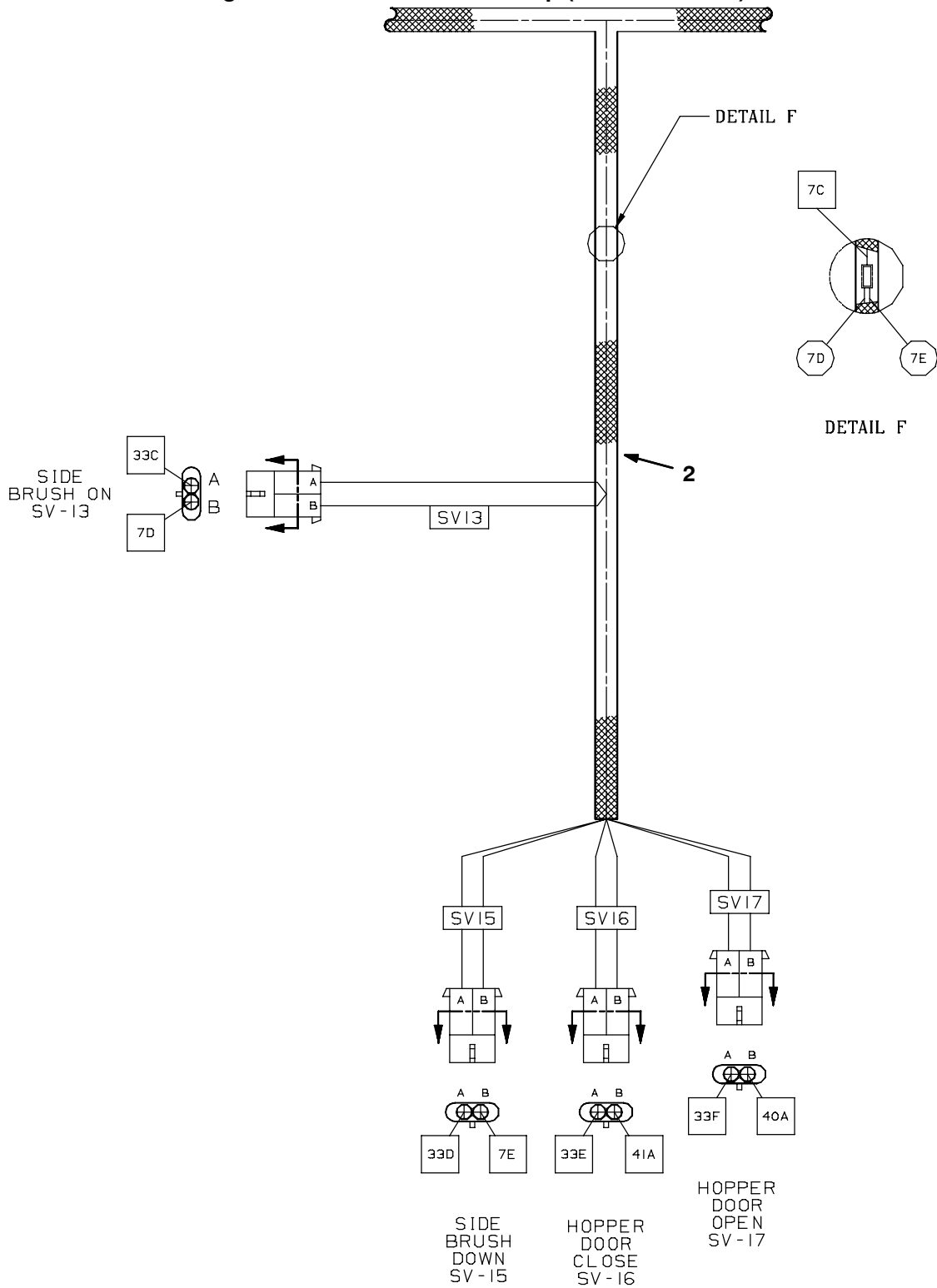


Fig. 114 - Wire Harnesses Group (013228-013999)



353894, 353857 - 8410, G, LP

Ref.	Tennant Part No.	Machine Serial Number	Description	Qty.
1	392562	(013228-013999 )	Harness, Main, 8410 Gas/Lpg	1
2	83721	(013228-013999 )	Harness, Hopper 8410	1
	371921	(013228-013999 )	Harness, Engine, Gas/Lpg Gm 3.0L	1

Fig. 115 - Wire Harnesses Group (014000- )

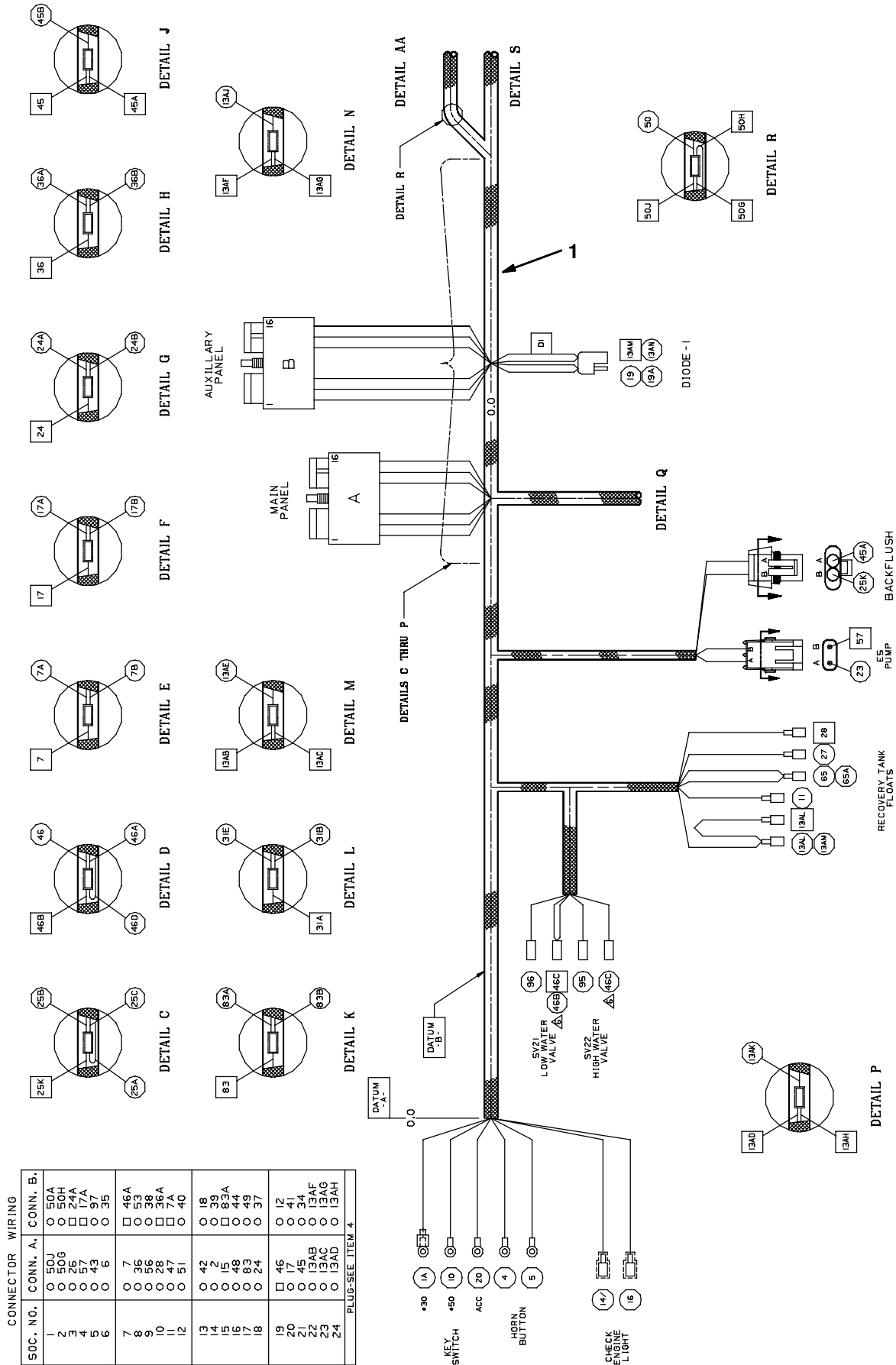


Fig. 115 - Wire Harness Group (014000- )

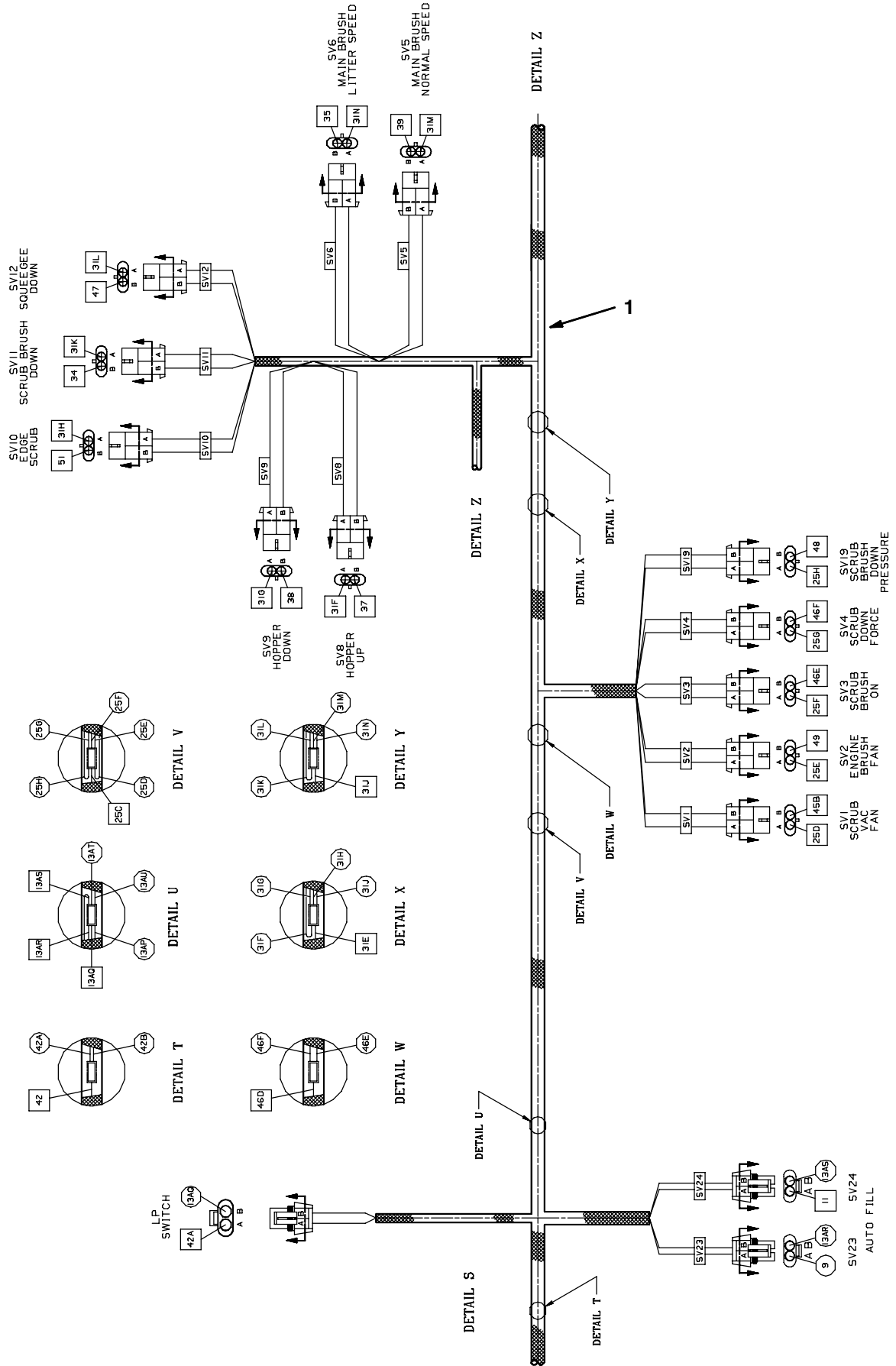


Fig. 115 - Wire Harness Group (014000- )

DETAIL Z  
CONTINUED  
FROM SHEET  
2 OF 7

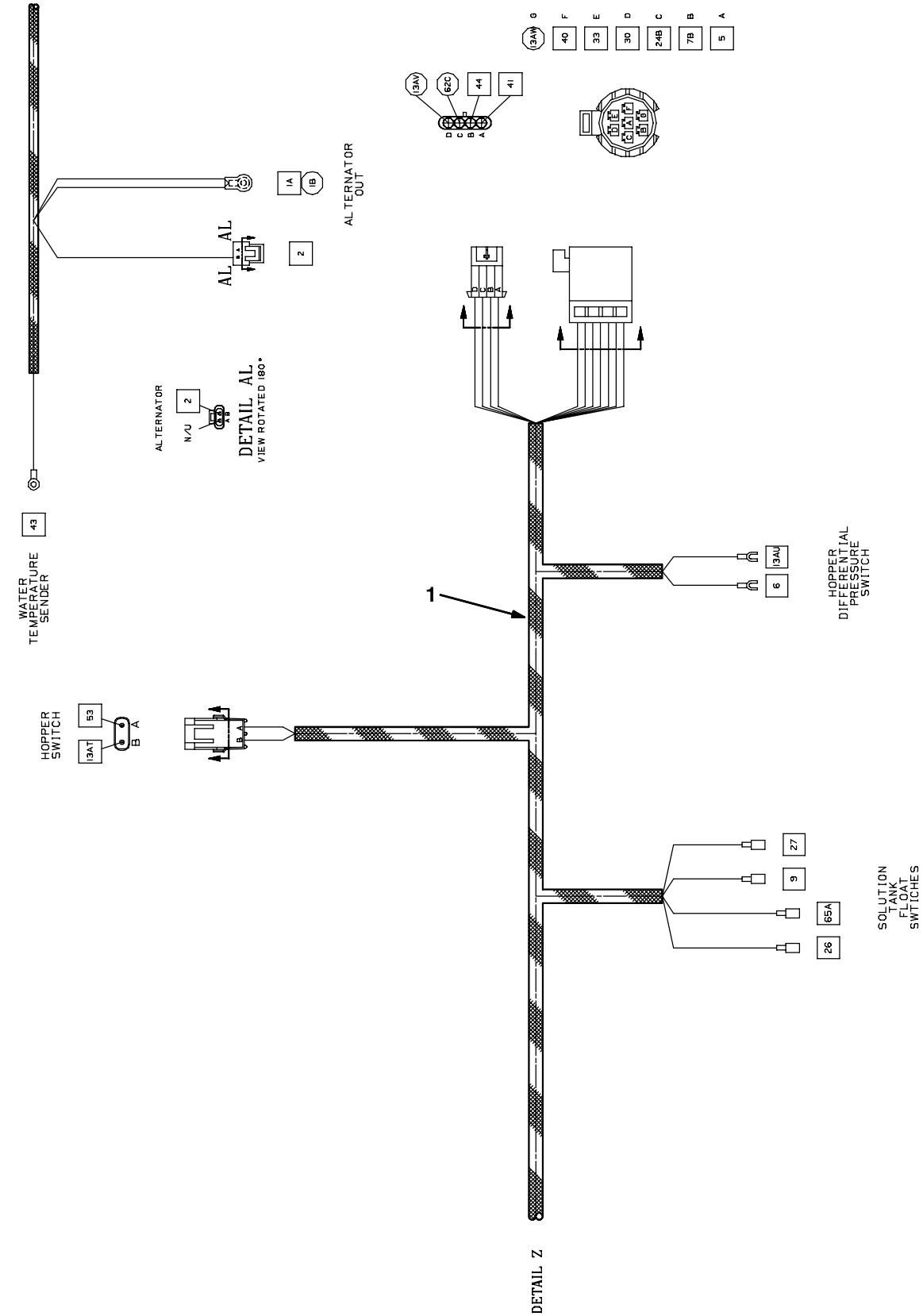


Fig. 115 - Wire Harness Group (014000- )

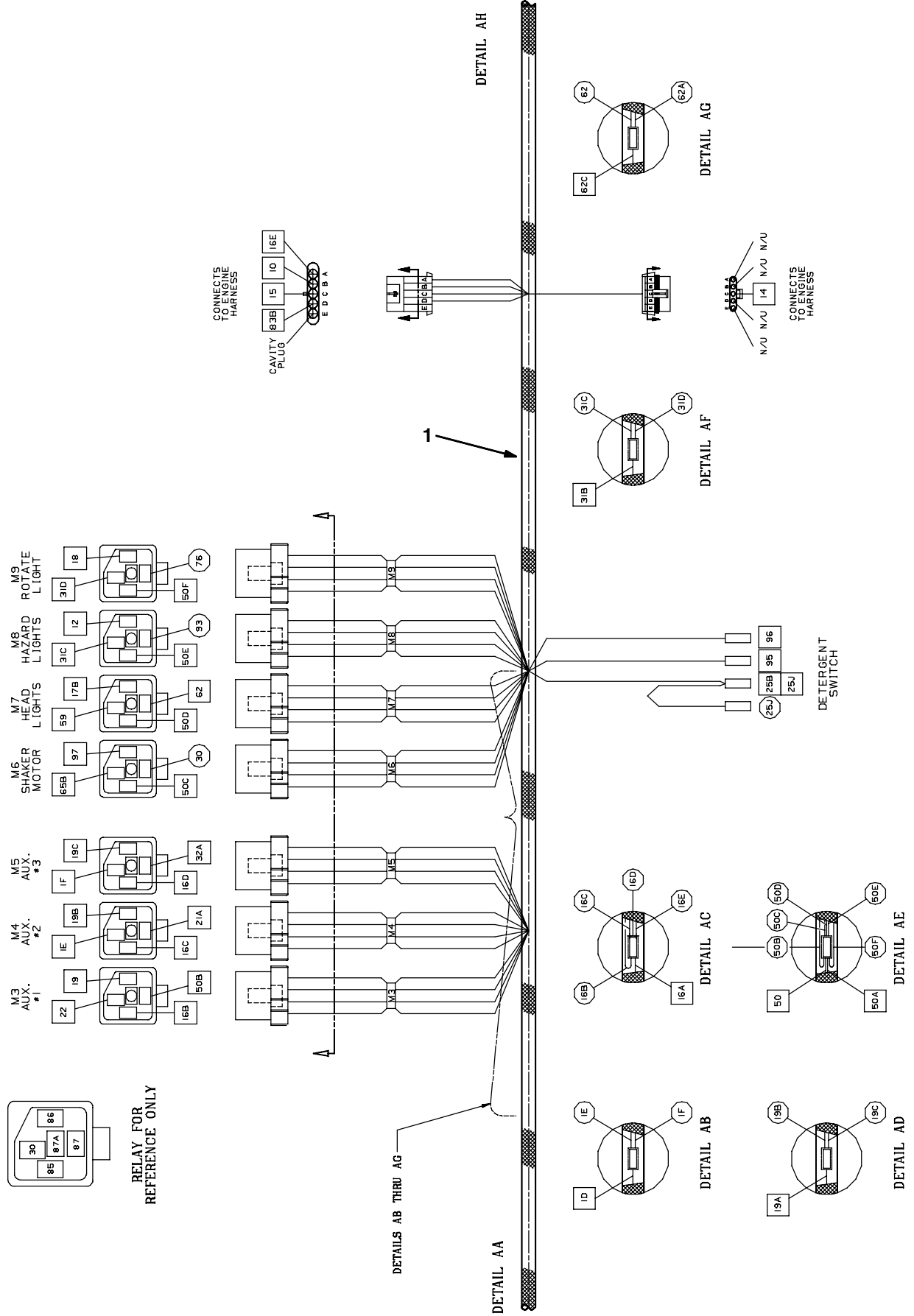


Fig. 115 - Wire Harness Group (014000- )

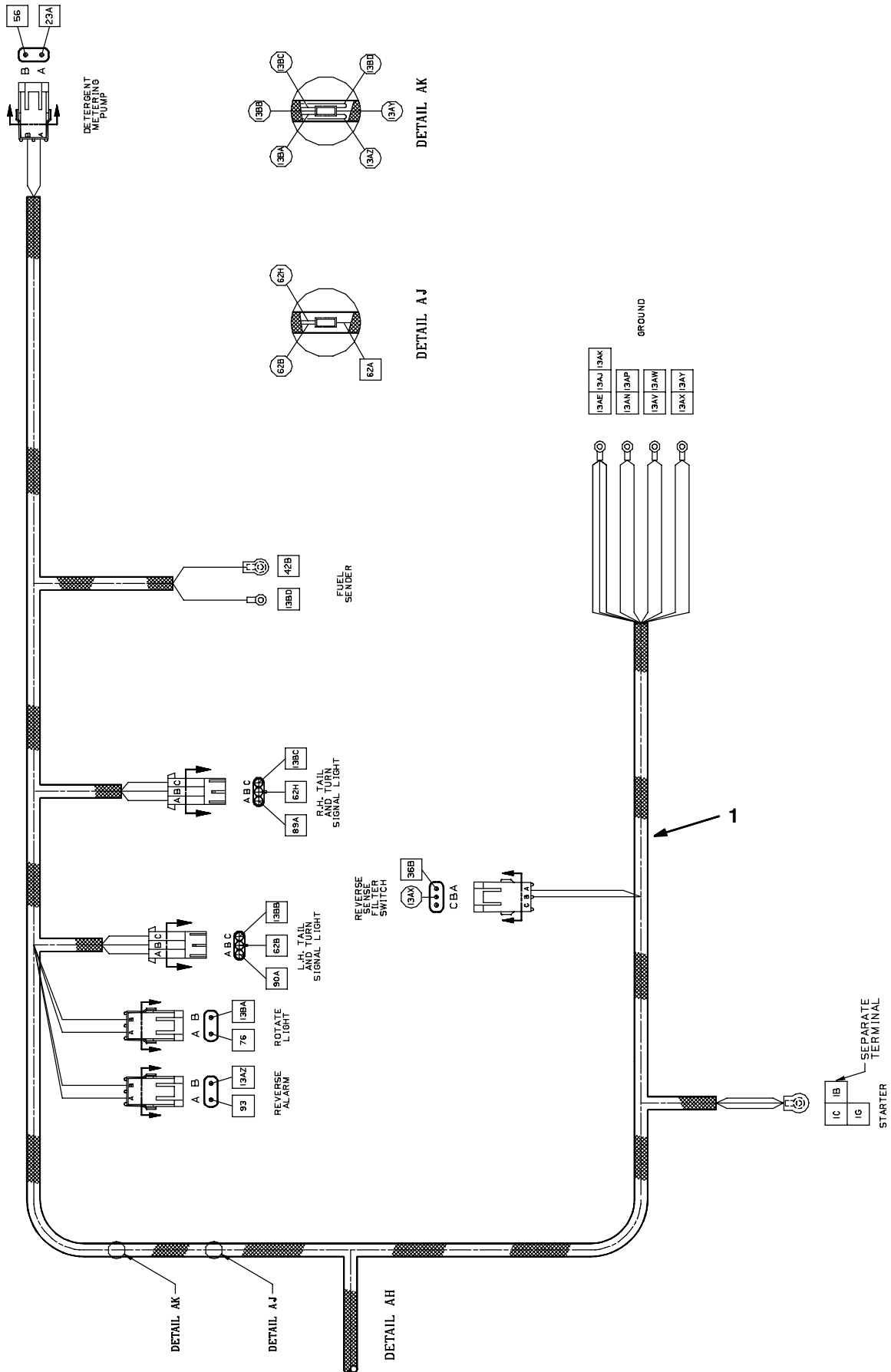




Fig. 115 - Wire Harnesses Group (014000- )  
 DETAIL Q

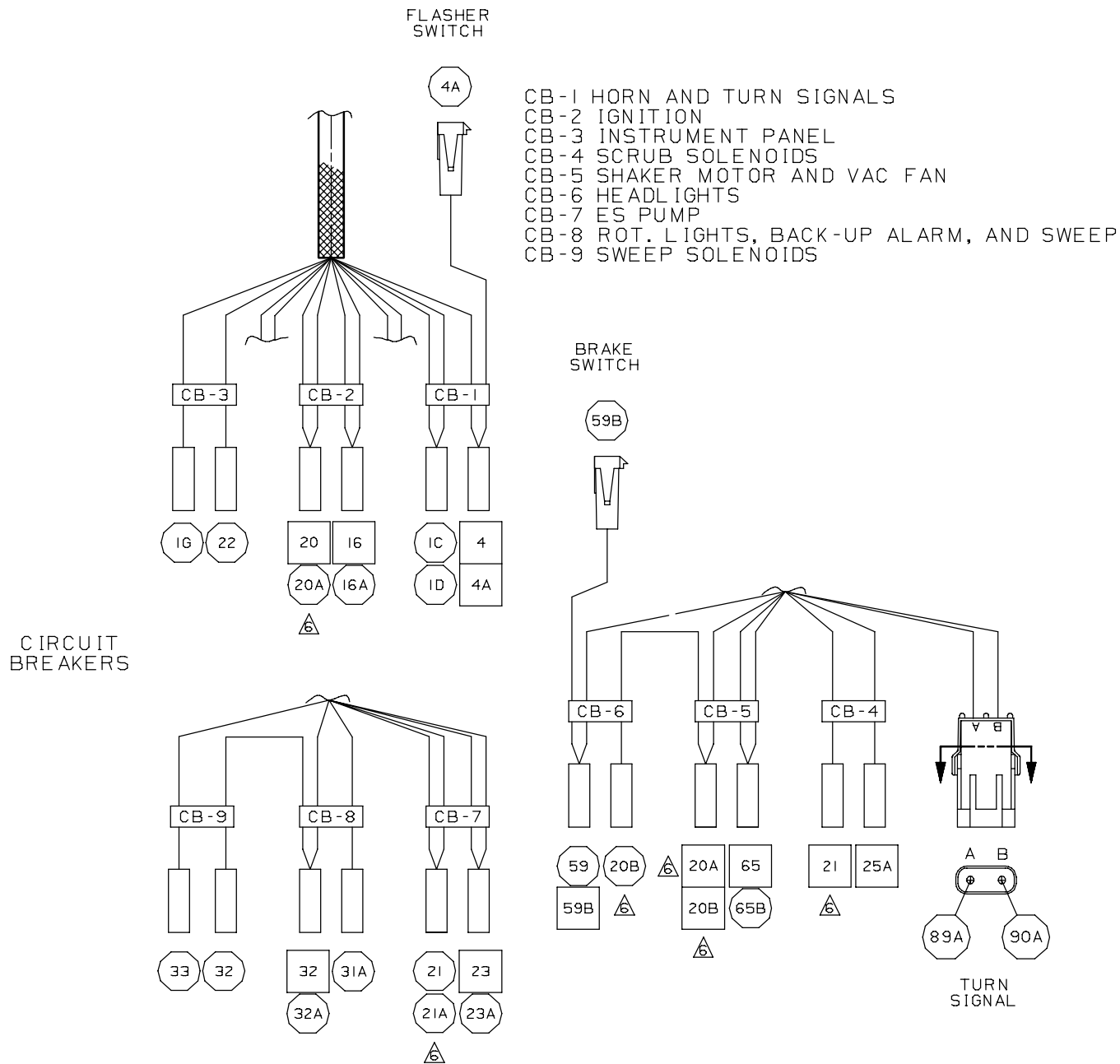


Fig. 115 - Wire Harnesses Group (014000- )

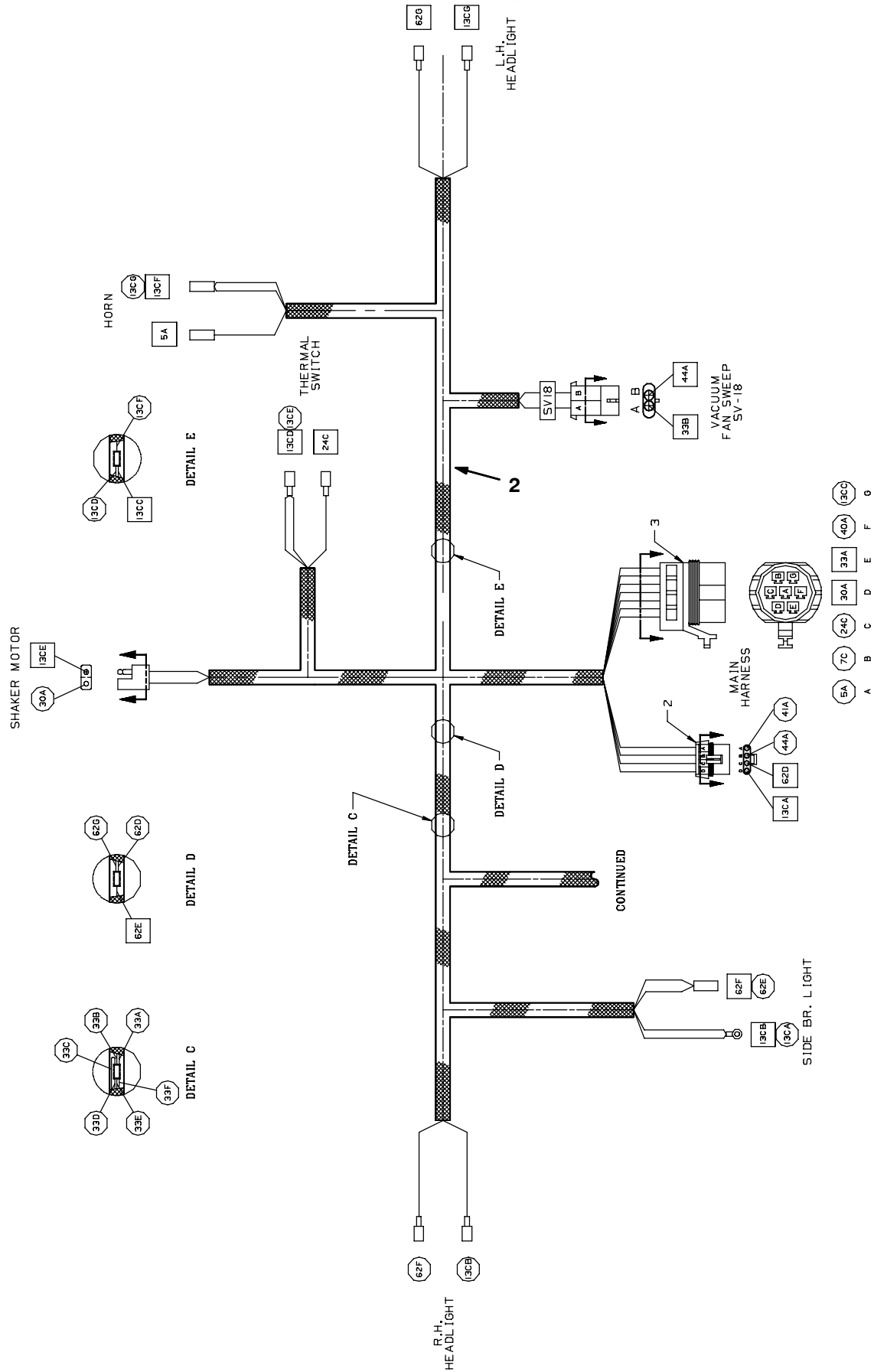
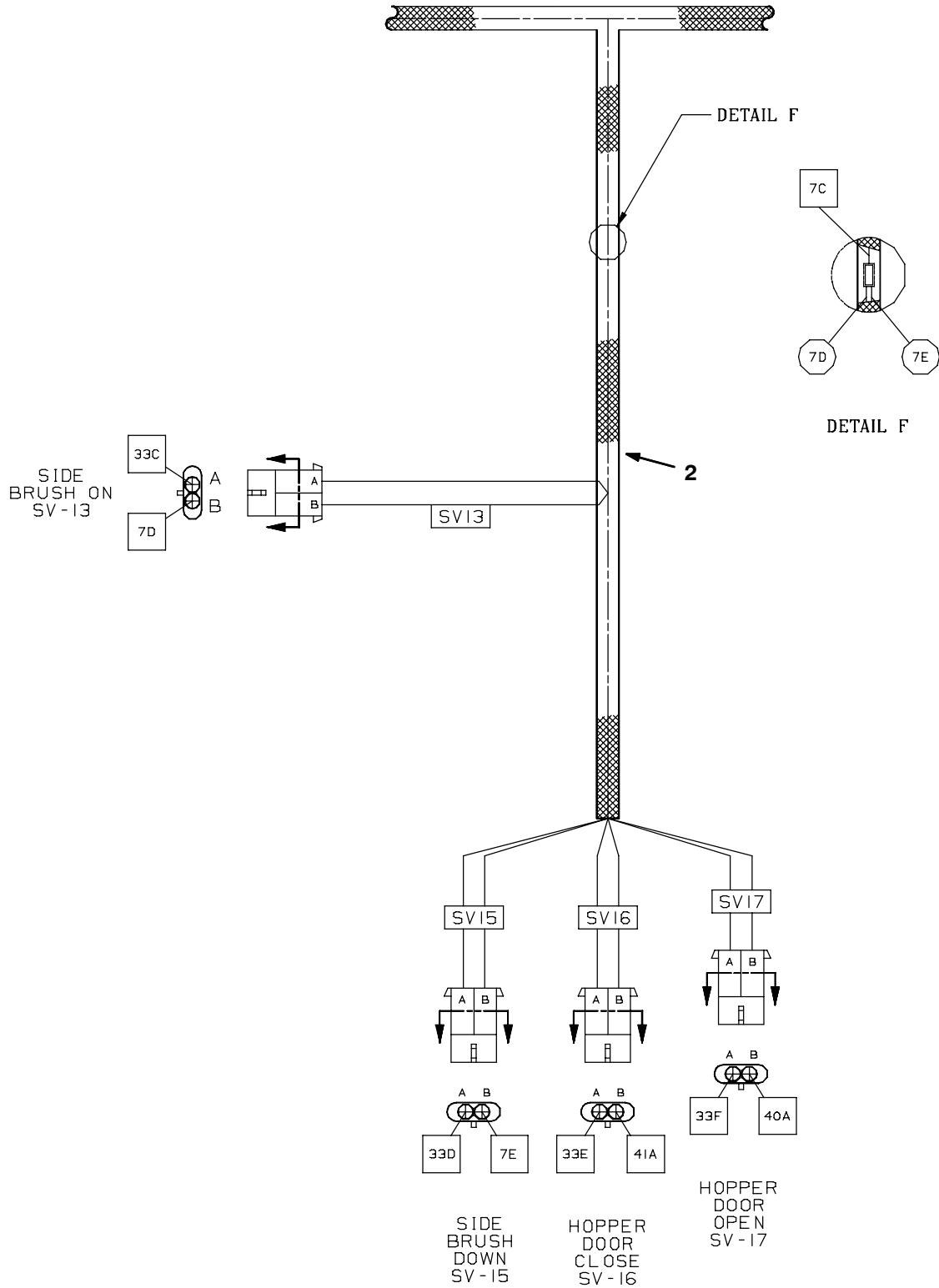


Fig. 115 - Wire Harnesses Group (014000- )



## Fig. 115 - Wire Harnesses Group Gas/LPG Engine (014000-014999)

### E - CONTROLS FUEL SYSTEM CONTROLLER

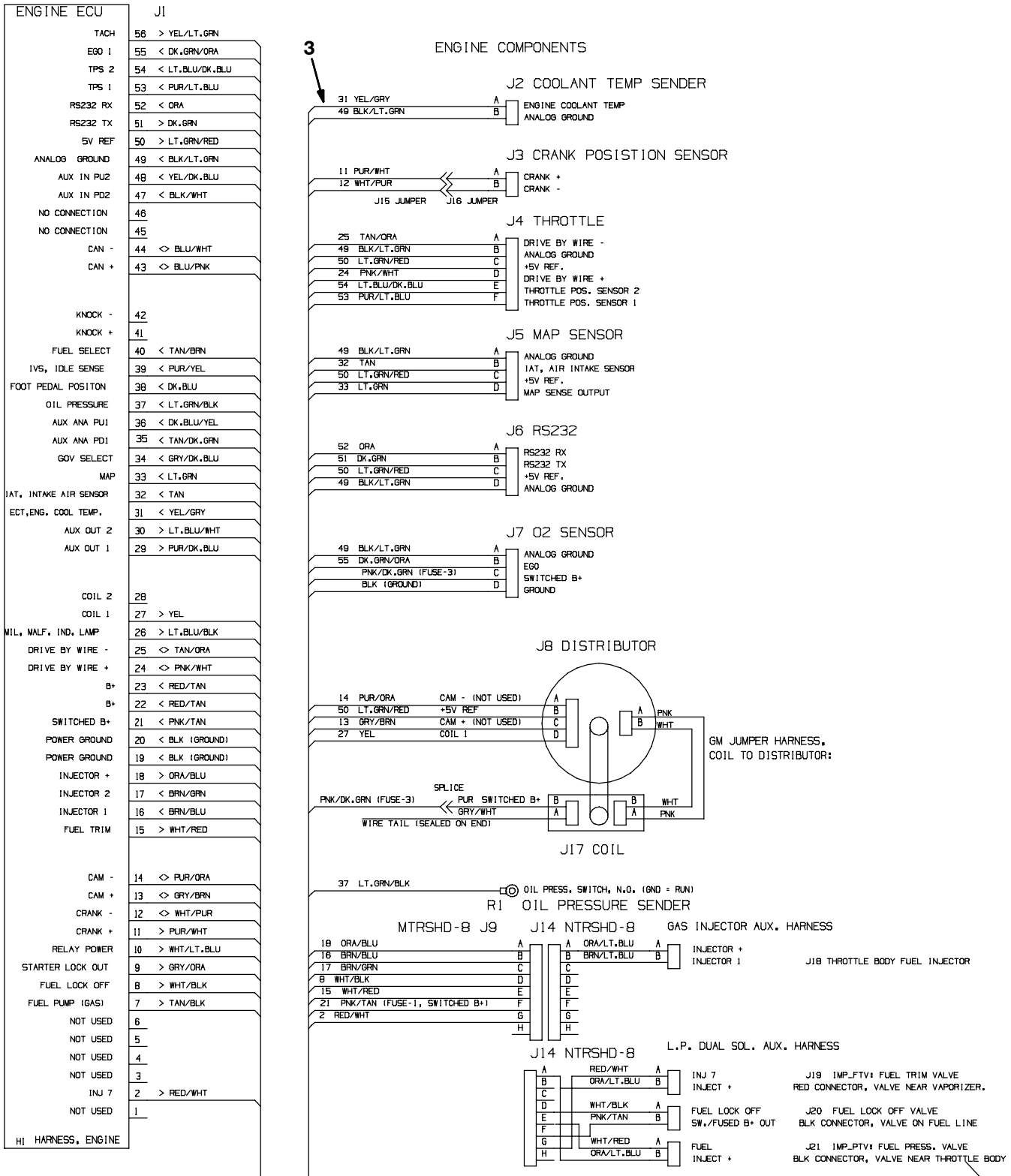
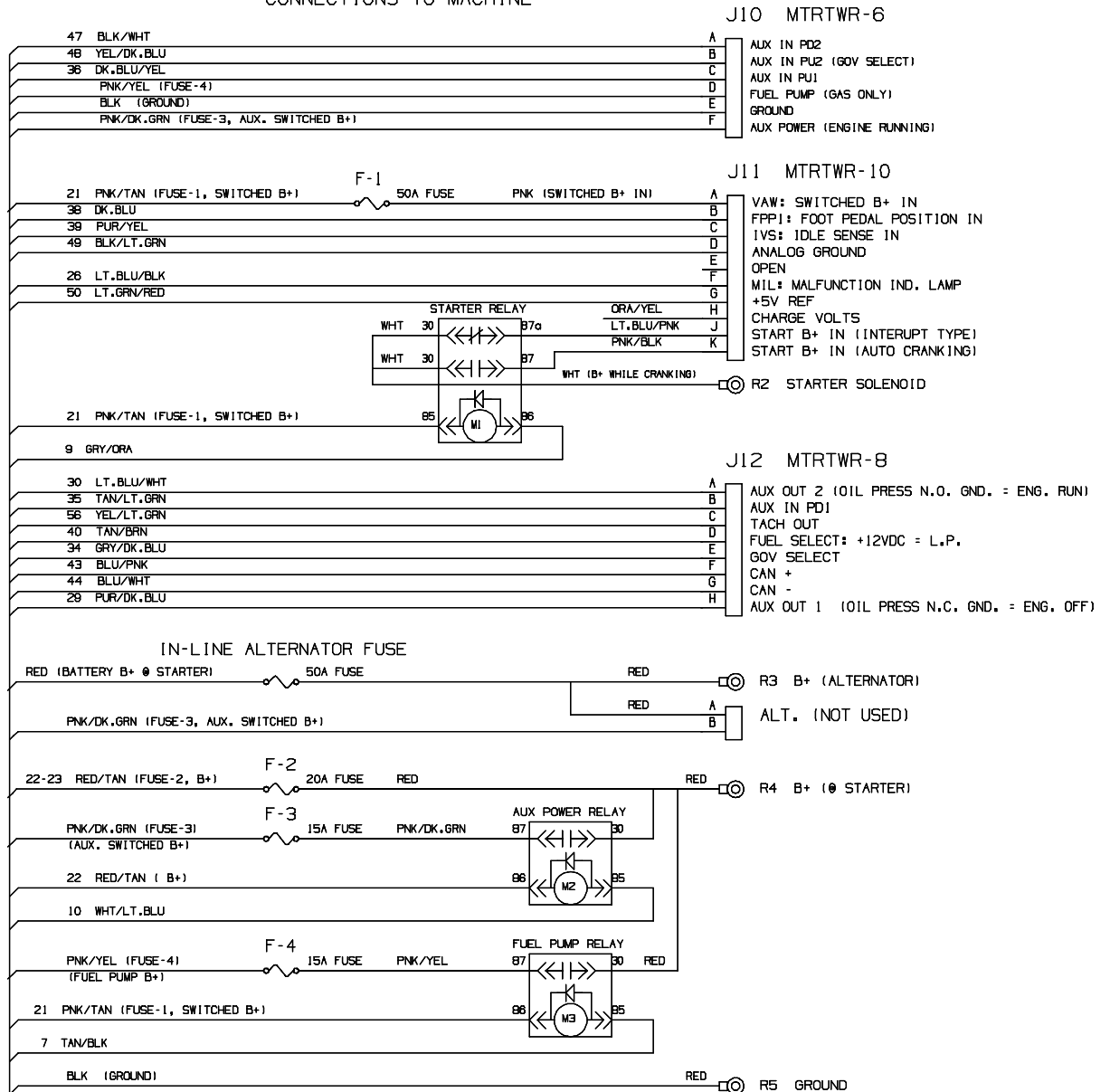


Fig. 115 - Wire Harnesses Group Gas/LPG Engine (014000-014999)

CONNECTIONS TO MACHINE

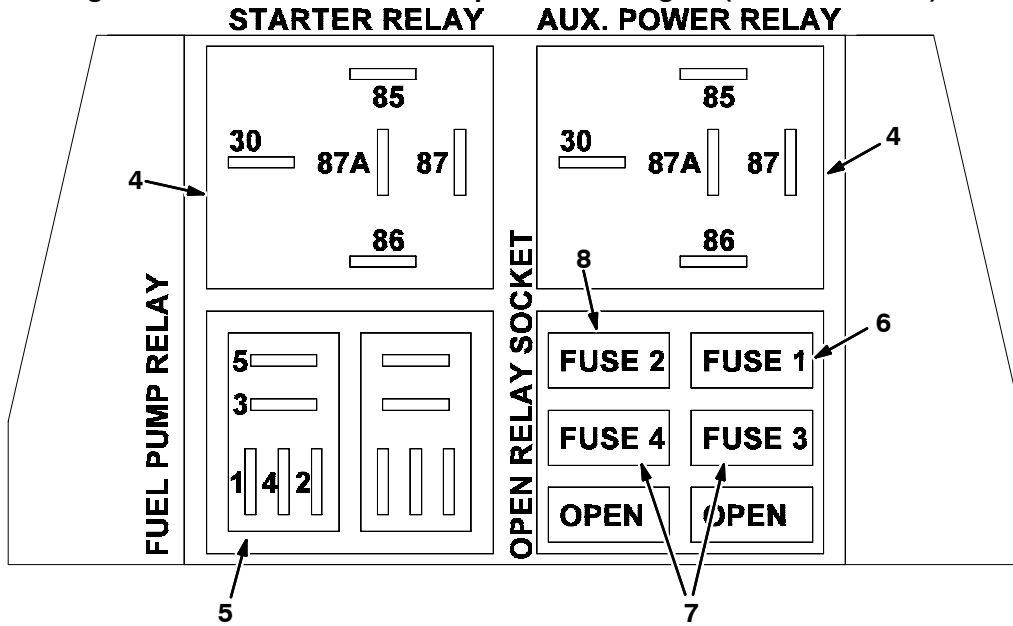


NOTES:

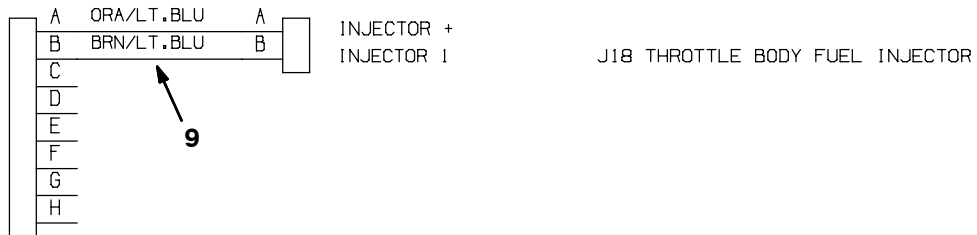
- 1) VENDOR: E-CONTROLS
- 2) ALL WIRE TO BE: SAE J1128 TXL
- 3) 3.0L GAS ENGINES INC. AUX. INJECTOR HARNESS:
- 4) L.P. ENGINES INCLUDE AUX. INJECTOR HARNESS:

3

**Fig. 115 - Wire Harnesses Group Gas/LPG Engine (014000-014999)**



**14 NTRSHD-8 GAS INJECTOR AUX. HARNESS**



**J14 NTRSHD-8 L.P. DUAL SOL. AUX. HARNESS**

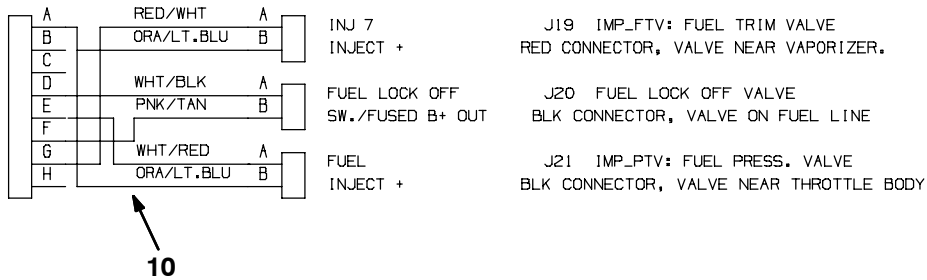
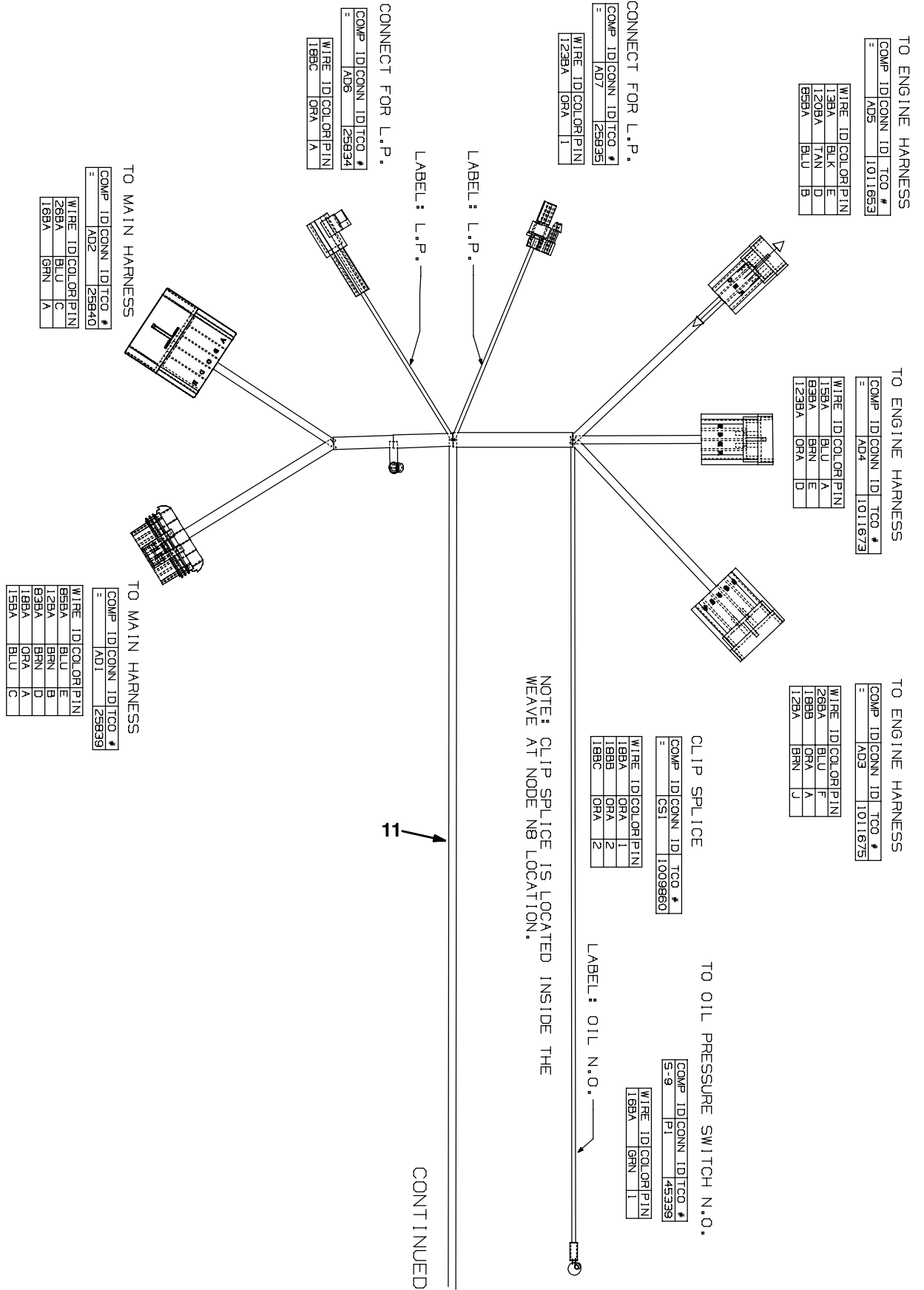
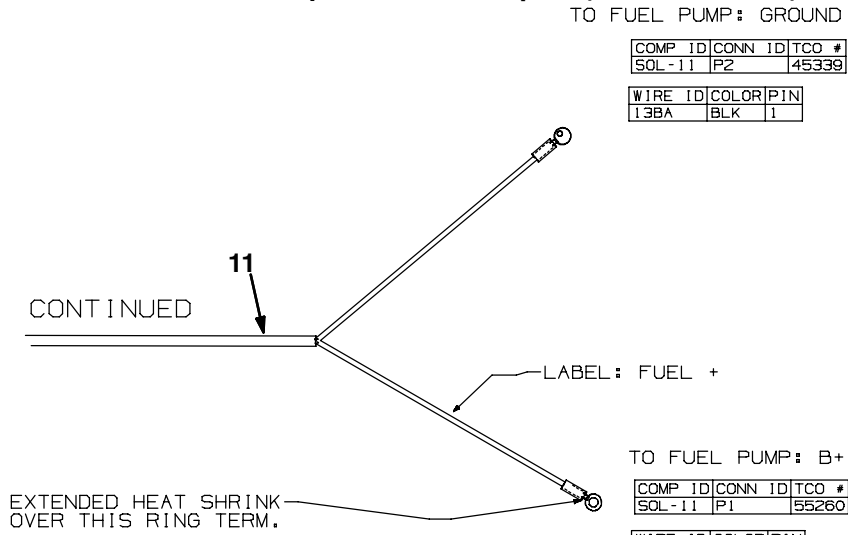


Fig. 115 - Wire Harnesses Group Gas/LPG, Adaptor (014000-014999)



# STANDARD PARTS

**Fig. 115 - Wire Harnesses Group Gas/LPG, Adaptor (014000-014999)**



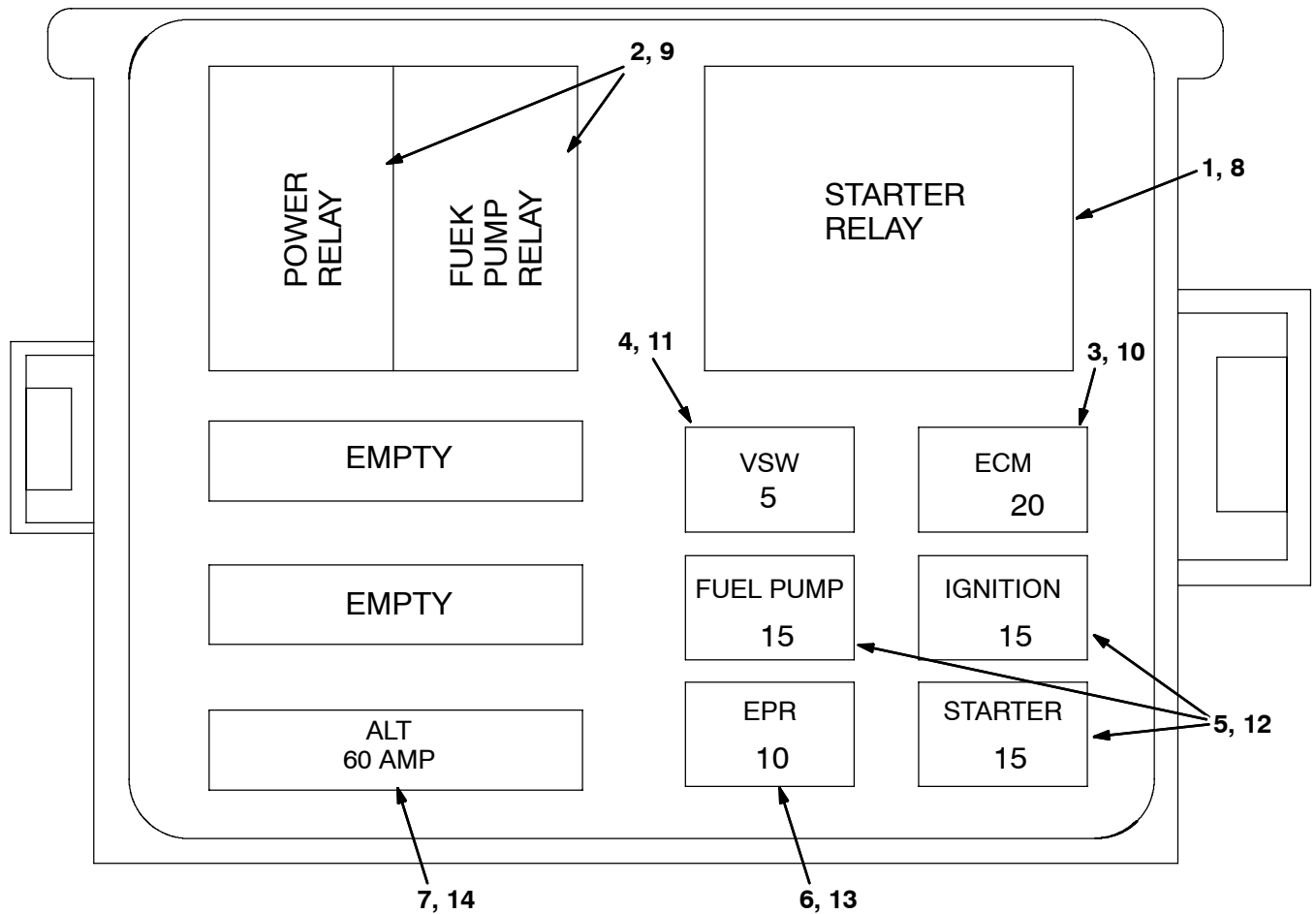
353894, 353857 - 8410, G, LP

Ref.	Tenant Part No.	Machine Serial Number	Description	Qty.
1	392562	(014000- )	Harness, Main, 8410 Gas/Lpg	1
2	83721	(014000- )	Harness, Hopper 8410	1
▽ 3	1011011	(014000-014999 )	Harness, Eng [3.0l, Gm, E-cntrl]	1
▲ 4	57804	(014000-014999 )	Relay, 12vdc, 40a, Spdt	2
▲ 5	394916	(014000-014999 )	Relay, 12vdc, 20a, Spdt	1
▲ 6	372235	(014000-014999 )	Fuse, 5 Amp, [Min-5]	1
▲ 7	372236	(014000-014999 )	Fuse, 15 Amp, [Min-15]	2
▲ 8	372237	(014000-014999 )	Fuse, 20 Amp, [Min-20]	1
9	1011017	(014000-014999 )	Harness, Injector, Gas[3.0l Gm,E-Cntrl]	1
10	1011015	(014000-014999 )	Harness, Lpg Injector [3.0l, Gm,E-Cont]	1
11	1012033	(014000-014999 )	Harness, Adaptor [800/8410]	1



Fig. 116 - Wire Harnesses Group, Gas/LPG Engine (015000- )

Gasoline/LPG Engine Harness  
(015000- )



GM, G, LP

Ref.	Part No.	Serial Number	Description	Qty.
▽	385010	(015000- )	Harness, Eng, Gas [3.0l 2007]	1
▲	1 394916	(015000- )	Relay, 12vdc, 20a, Spdt	1
▲	2 57804	(015000- )	Relay, 12vdc, 40a, Spdt	2
▲	3 372237	(015000- )	Fuse, 20 Amp, [Min-20]	1
▲	4 372235	(015000- )	Fuse, 5 Amp, [Min-5]	1
▲	5 372236	(015000- )	Fuse, 15 Amp, [Min-15]	2
▲	6 384999	(015000- )	Fuse, 10 Amp	1
▲	7 384998	(015000- )	Fuse, 60 Amp	1
▽	385018	(015000- )	Harness, Eng, Lpg [3.0l 2007]	1
▲	8 394916	(015000- )	Relay, 12vdc, 20a, Spdt	1
▲	9 57804	(015000- )	Relay, 12vdc, 40a, Spdt	2
▲	10 372237	(015000- )	Fuse, 20 Amp, [Min-20]	1
▲	11 372235	(015000- )	Fuse, 5 Amp, [Min-5]	1
▲	12 372236	(015000- )	Fuse, 15 Amp, [Min-15]	2
▲	13 384999	(015000- )	Fuse, 10 Amp	1
▲	14 384998	(015000- )	Fuse, 60 Amp	1

## Fig. 117 - Wire Harness Schematic, Gas Engine (015000- )

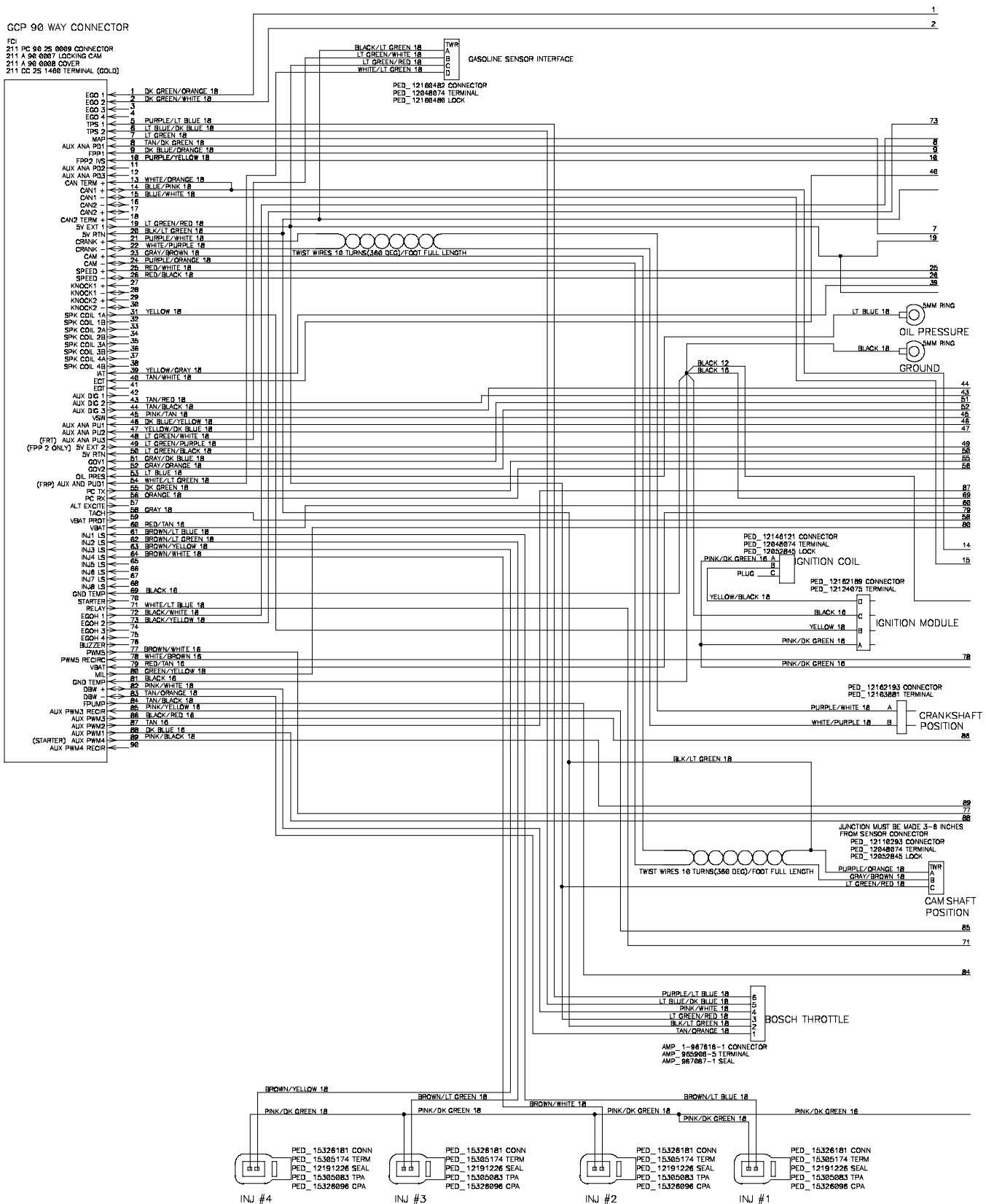
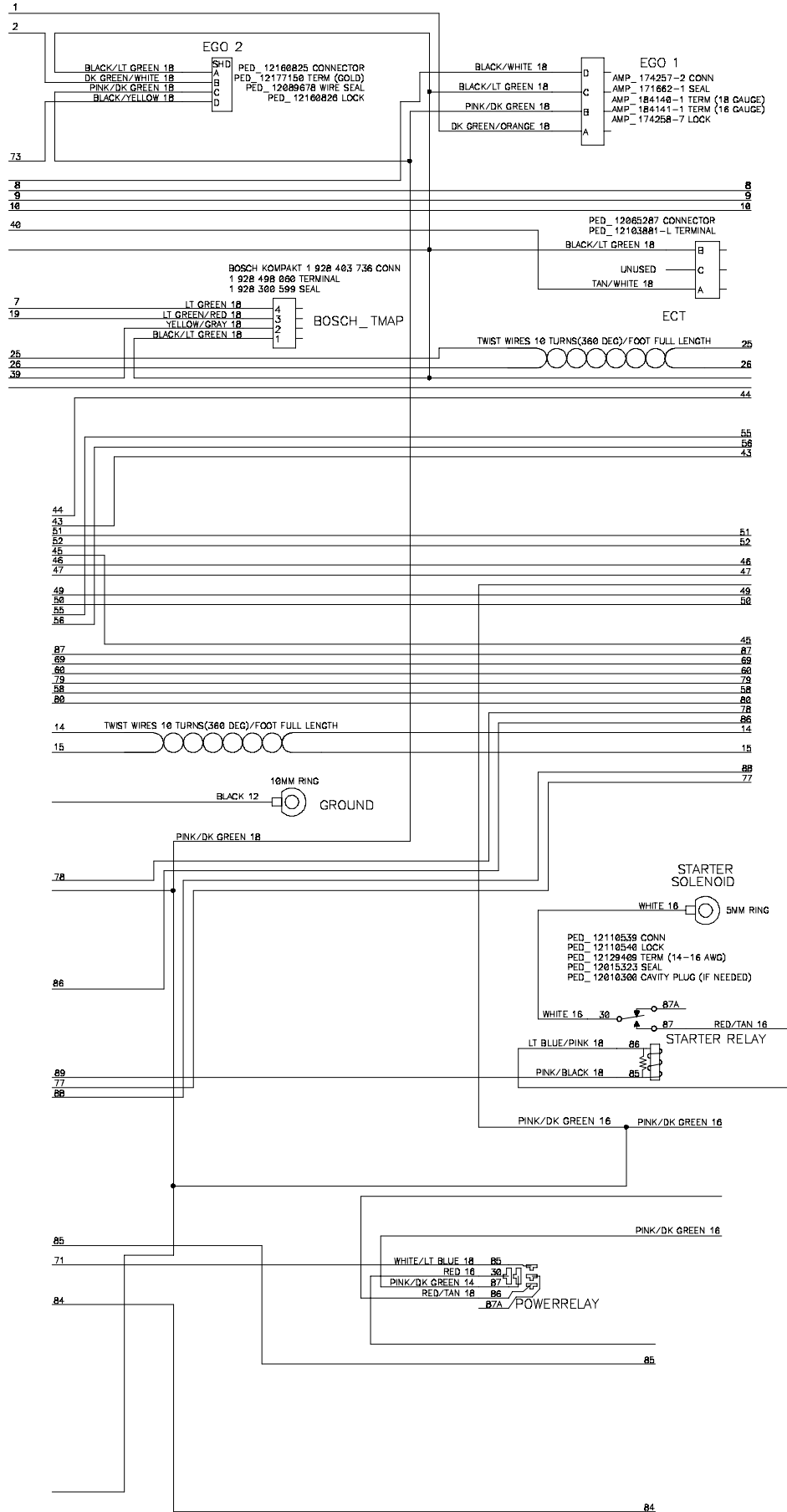


Fig. 117 - Wire Harness Schematic, Gas Engine (015000- )



## Fig. 117 - Wire Harness Schematic, Gas Engine (015000- )

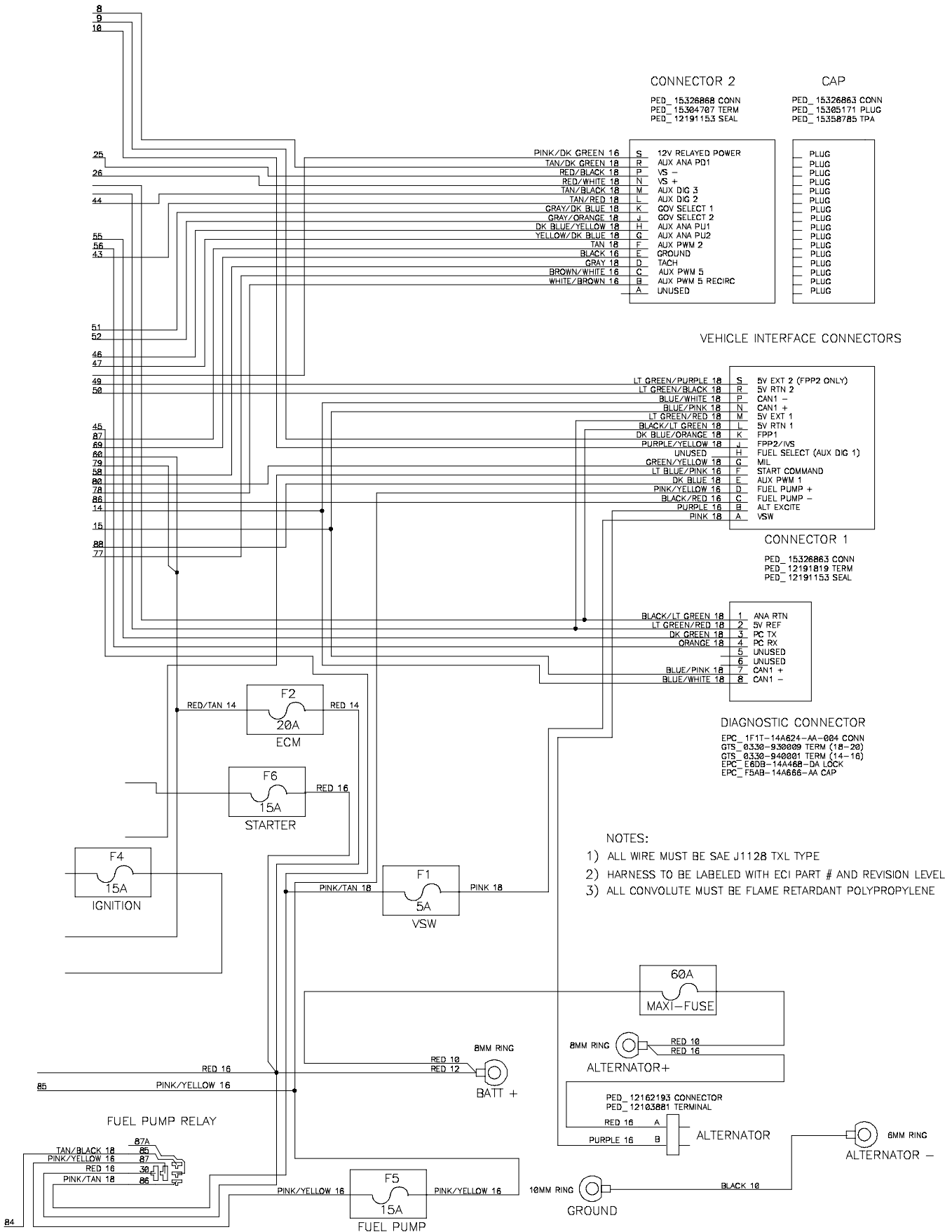


Fig. 118 - Wire Harness Schematic, LPG Engine (015000- )

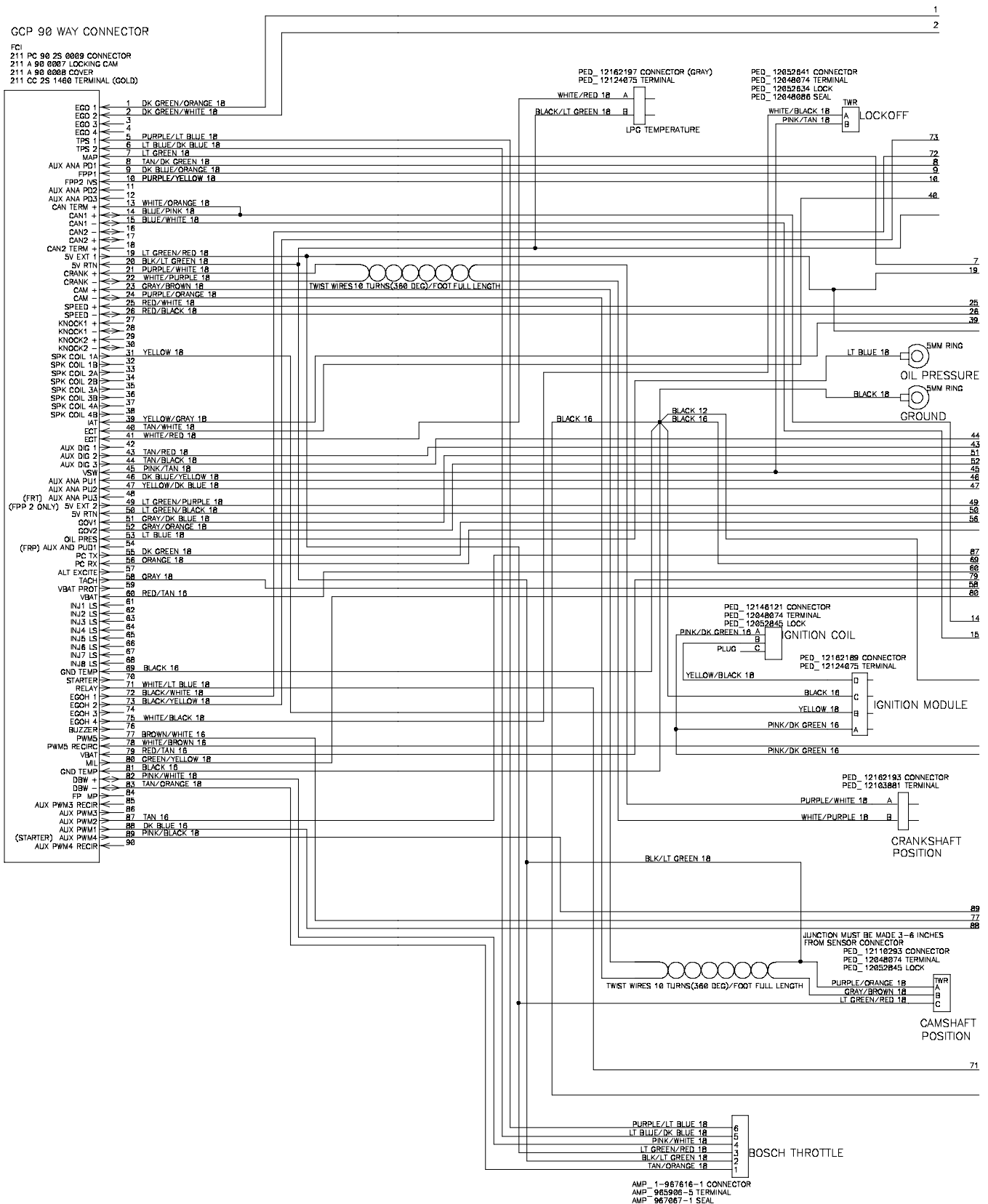


Fig. 118 - Wire Harness Schematic, LPG Engine (015000- )

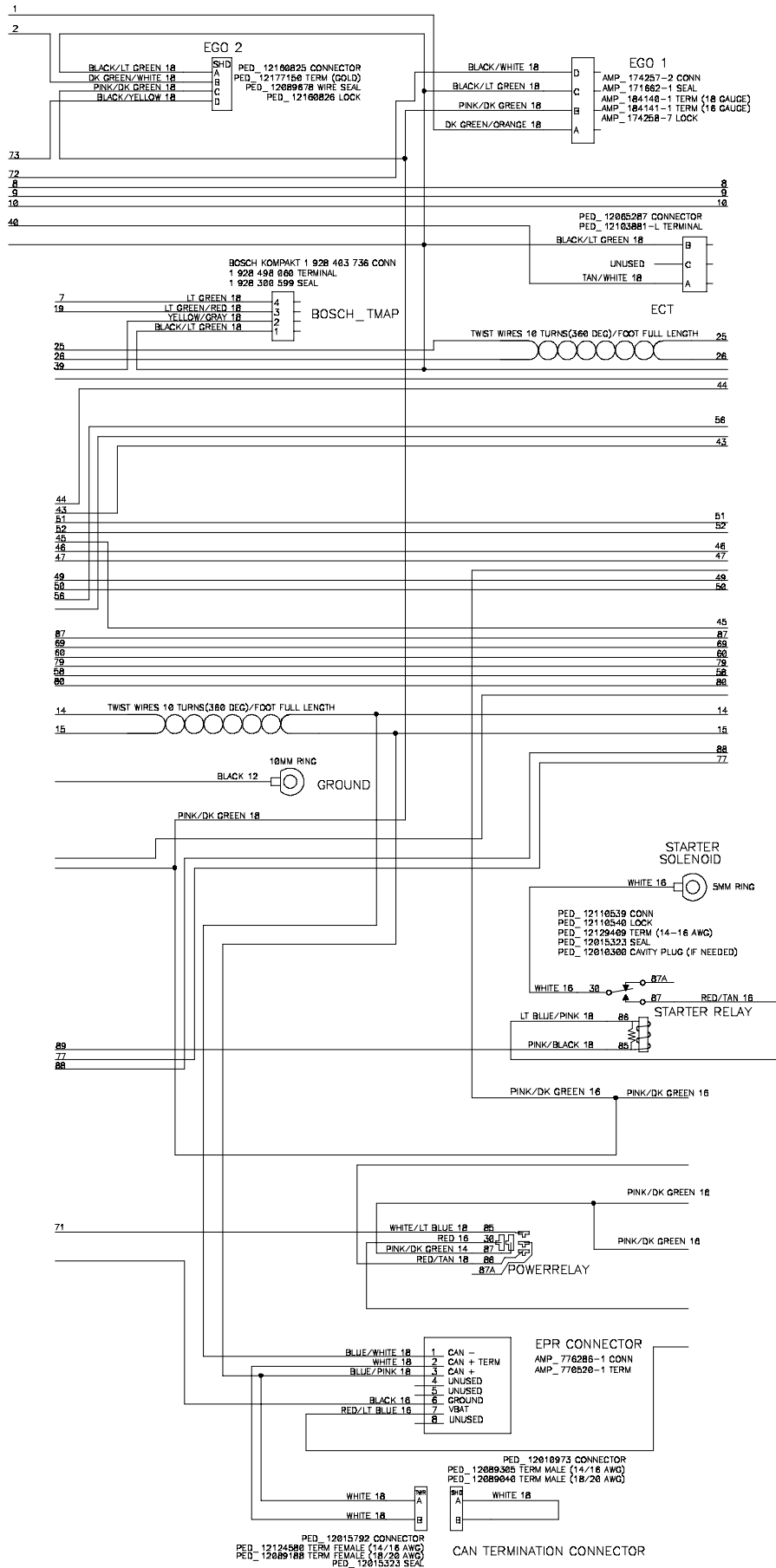
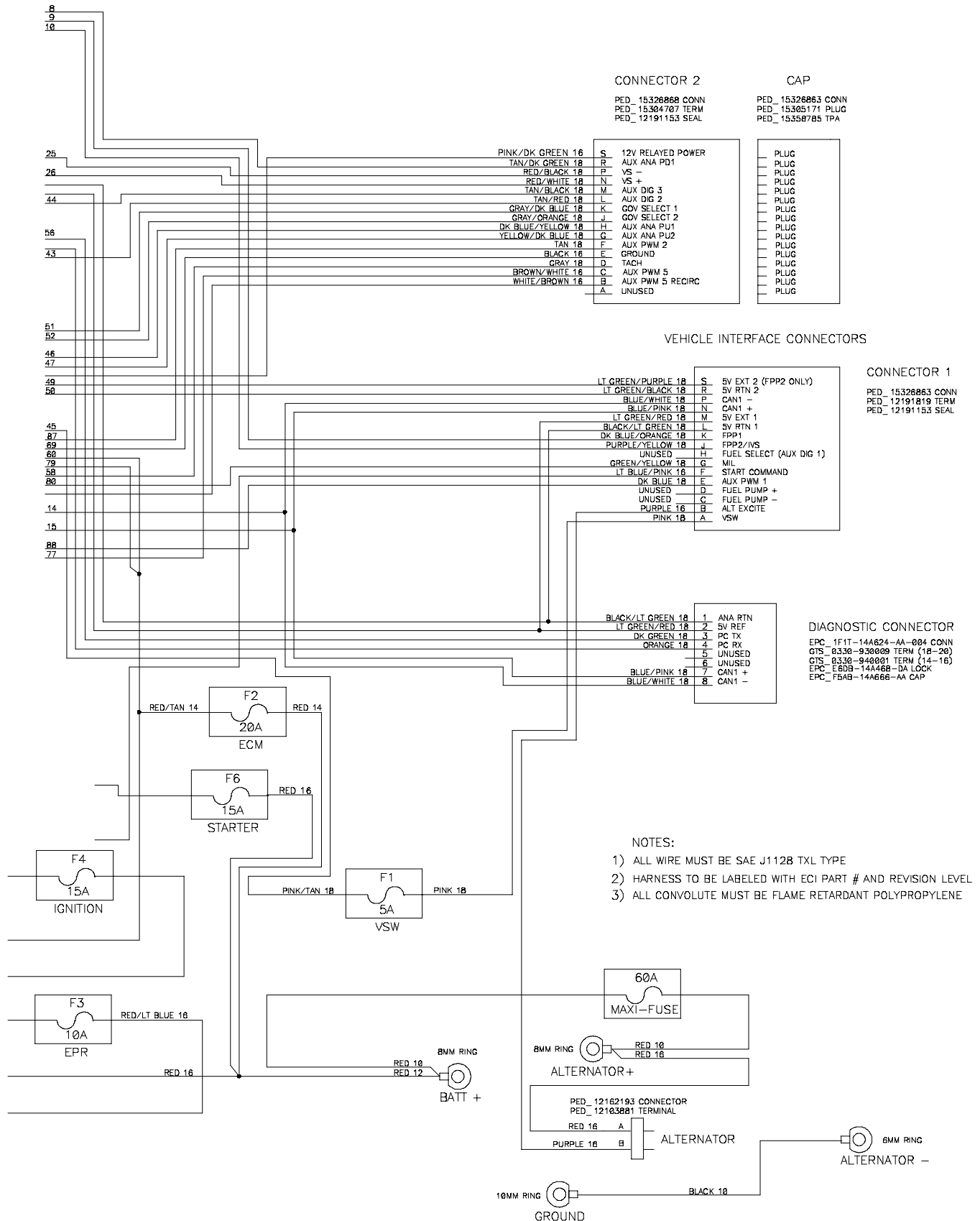


Fig. 118 - Wire Harness Schematic, LPG Engine (015000- )



# STANDARD PARTS

Fig. 119 - Wire Harnesses Group, Gas/LPG, Adaptor (015000- )

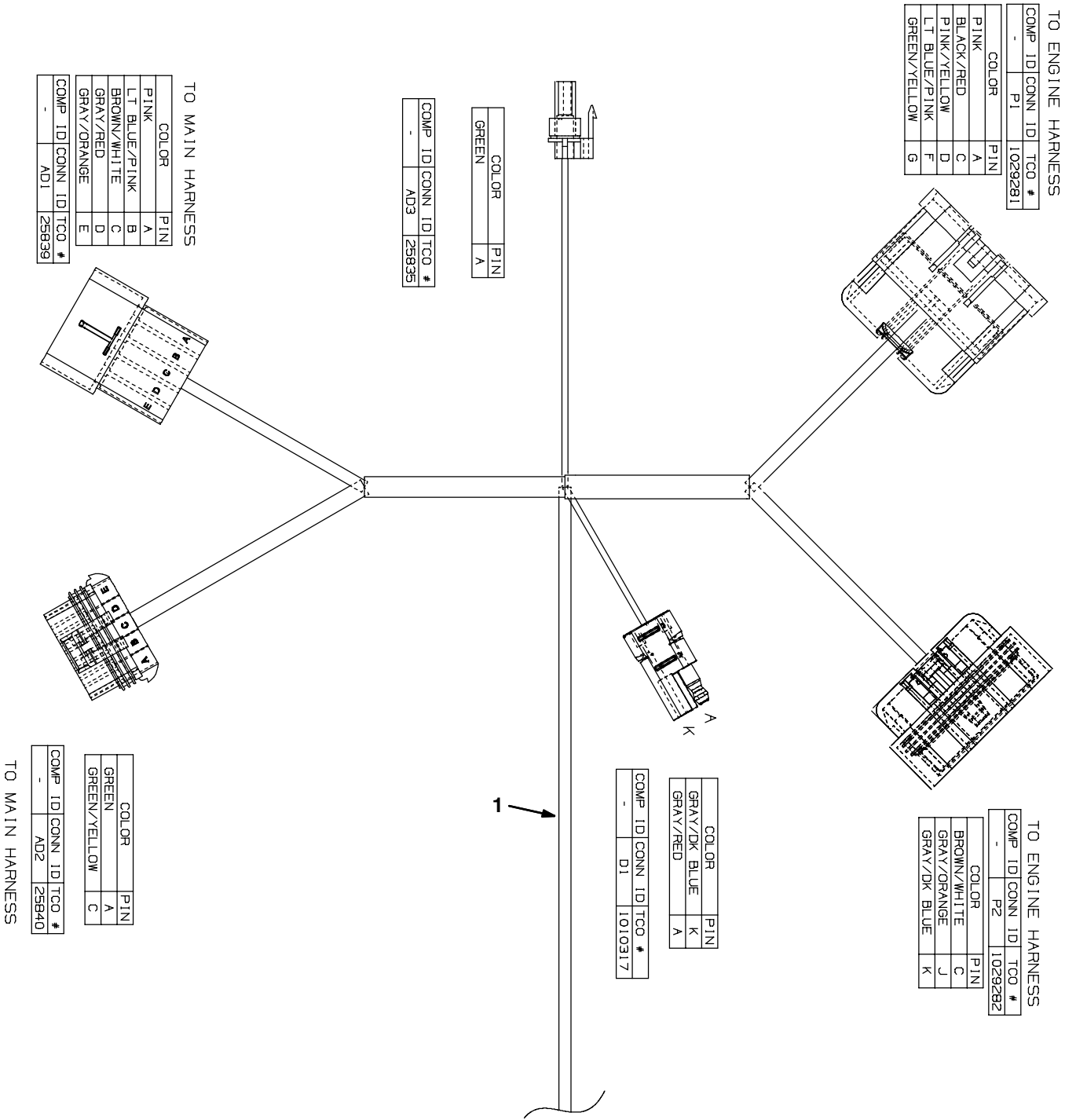
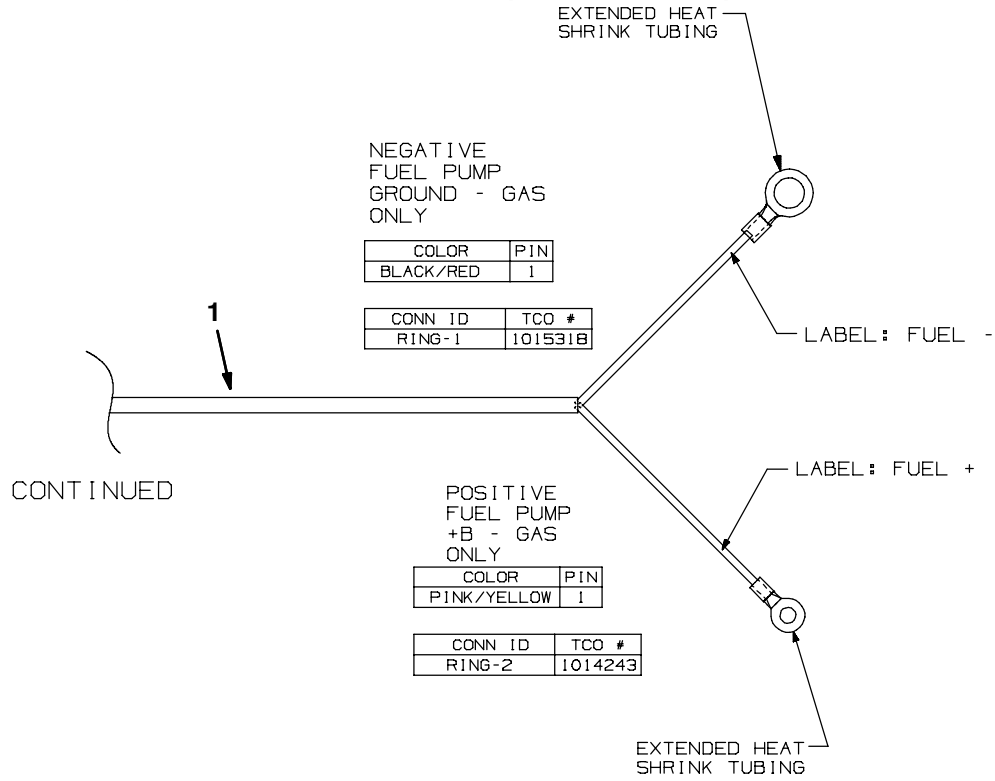




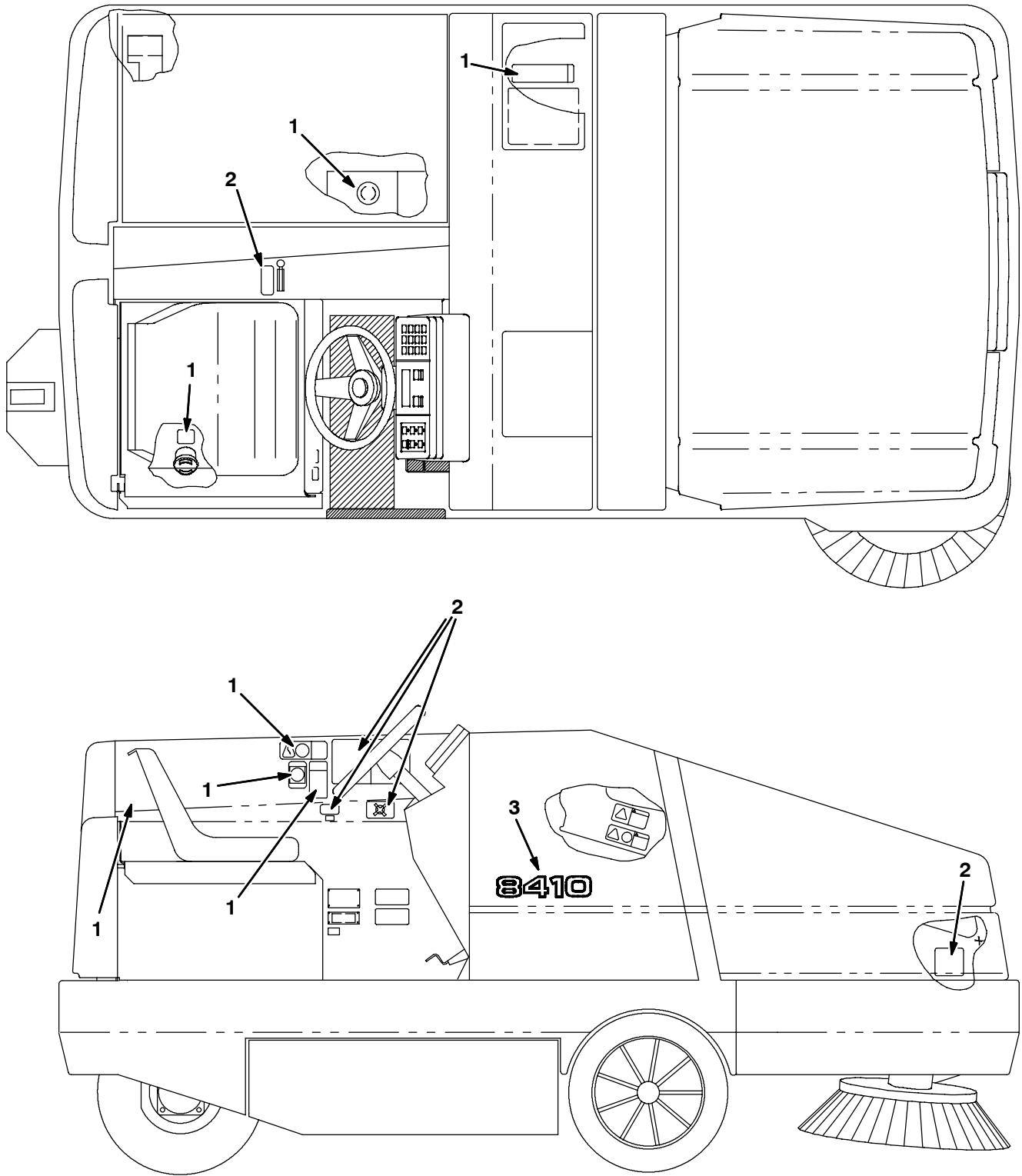
Fig. 119 - Wire Harnesses Group, Gas/LPG, Adaptor (015000- )



GM, G, LP

Ref.	Part No.	Serial Number	Description	Qty.
1	1032214	(015000- )	Harness, Adaptor, Eng, Gas/Lpg [Gm3.0]	1

**Fig. 120 - Label Group**



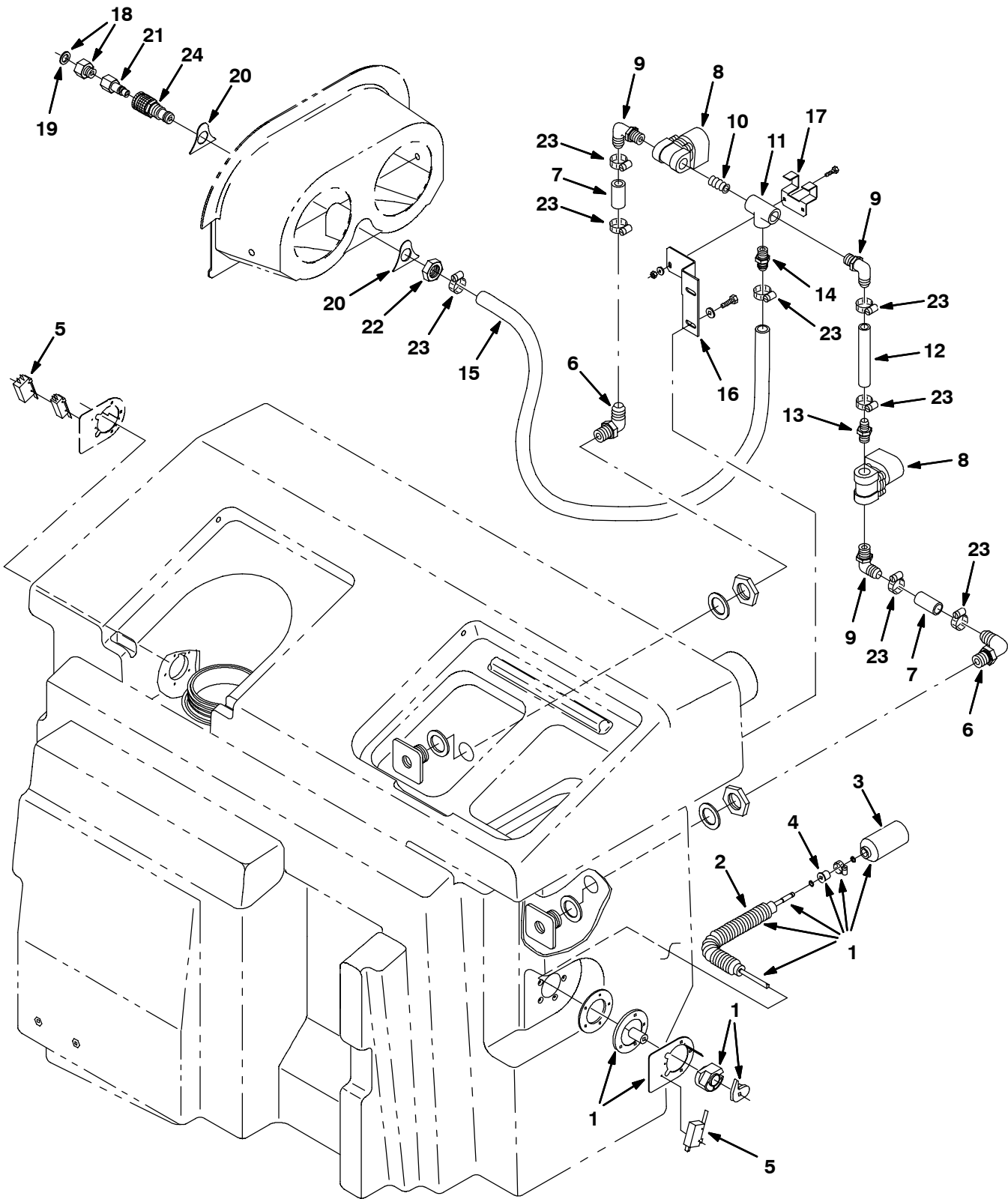
11087 - ALL

Ref.	Tennant Part No.	Machine Serial Number	Description	Qty.
1	77221	(000000- )	Label Set, Info & HZD 8400/8410	1
2	77352	(000000- )	Label Set, Operational 8400/8410	1
3	84027	(000000- )	Label, Numerals 8410	2

# SECTION 3

Contents	Page
Fig. 1 - ES Autofill Group .....	3-2
Fig. 2 - ES Pump Column Group .....	3-4
Fig. 3 - ES Detergent Tank Group .....	3-6
Fig. 4 - Light Kit, Signal .....	3-8
Fig. 5 - Light Kit, Flashing Overhead Guard ..	3-10
Fig. 6 - Light Kit, Revolving Overhead Guard .	3-12
Fig. 7 - Light Kit, Flashing LRC .....	3-14
Fig. 8 - Light Kit, Revolving LRC .....	3-16
Fig. 9 - Light Kit, Side Brush .....	3-18
Fig. 10 - Back-Up Alarm Kit .....	3-19
Fig. 11 - Overhead Guard Kit .....	3-20
Fig. 12 - Overhead Guard Kit, 87" .....	3-21
Fig. 13 - Seat Kit .....	3-22
Fig. 14 - Seat Mounting Bracket Kit .....	3-23
Fig. 15 - Seat Belt Kit .....	3-24
Fig. 16 - Fire Extinguisher Kit .....	3-25
Fig. 17 - Spark Arresting Muffler Group .....	3-26
Fig. 18 - Protectoseal Fuel Tank Cap Group ...	3-27
Fig. 19 - Squeegee Wand Kit .....	3-28
Fig. 20 - Positive Solution Control Drain System Kit Std .....	3-29
Fig. 21 - Positive Solution Control Drain System Kit ES .....	3-30
Fig. 22 - Vacuumized Skirt Kit, Main Brush ....	3-31
Fig. 23 - Side Brush Dust Control Kit .....	3-32
Fig. 24 - Right Hand Side Squeegee Guard Kit .	3-34
Fig. 25 - Machine Transport Kit .....	3-36
Fig. 26 - LPG Tank Mount Kit, 43 lb .....	3-38
Fig. 27 - Heavy Duty Engine Air Filter Kit .....	3-39
Fig. 28 - Sight Gauge Kit .....	3-40
Fig. 29 - Solid Turf Tire and Wheel Assembly ..	3-41
Fig. 30 - Solid Non Marking Turf Tire and Wheel Assembly .....	3-42
Fig. 31 - Solid Non Marking Tire and Wheel Assembly .....	3-43
Fig. 32 - Documentation Group .....	3-44

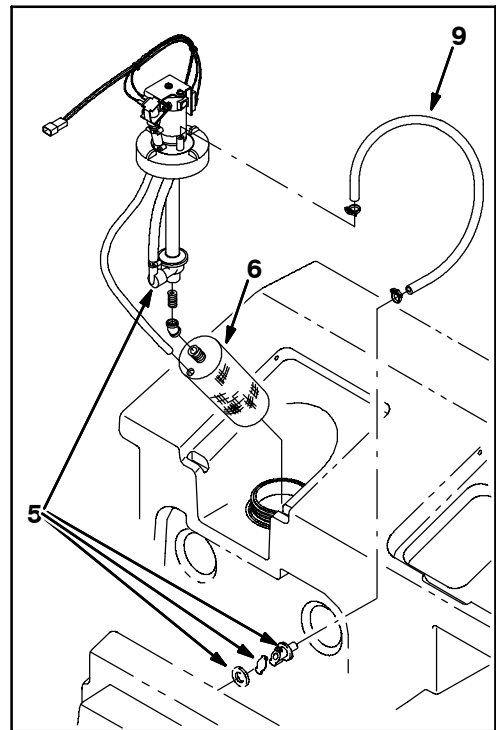
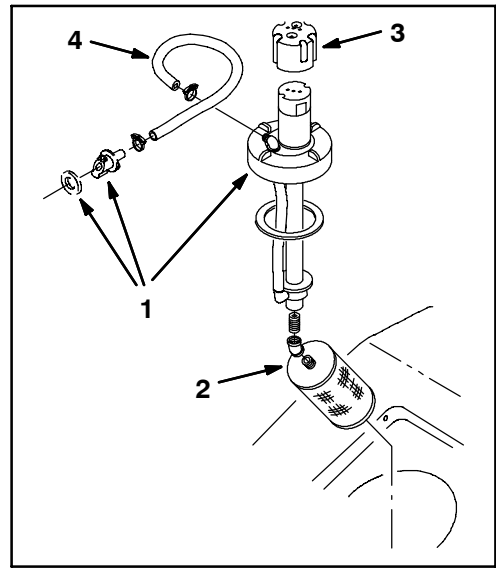
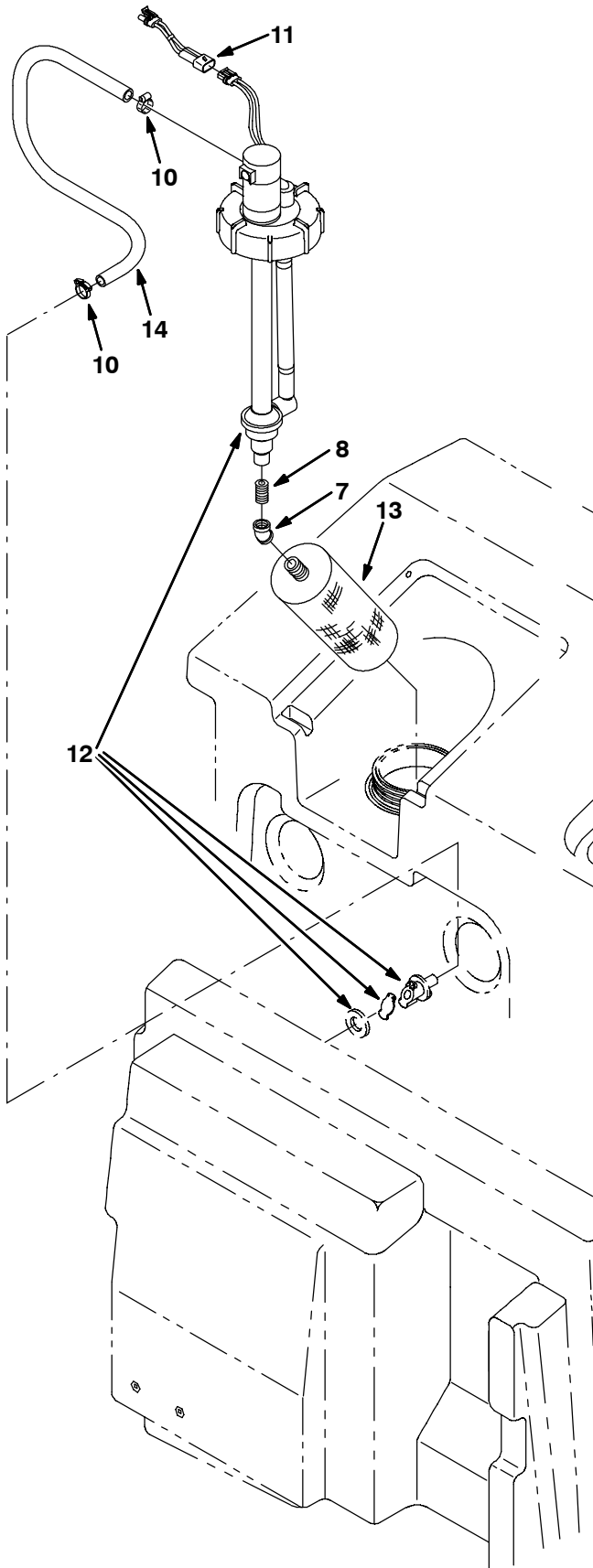
Fig. 1 - ES Autofill Group



**Fig. 1 - ES Autofill Group**

	<b>Ref.</b>	<b>Part No.</b>	<b>Serial Number</b>	<b>Description</b>	<b>Qty.</b>
▽	1	73147	(000000-	) Level Sensing Assy	1
▲	2	73145	(000000-	) Bellows, .75 Id 10.3L	1
▲	3	50238	(000000-	) Float Bottle	1
▲	4	50256	(000000-	) Plug, Float	1
	5	1008147	(000000-	) Switch, Snap Actn, 250vdc 20a Dpdt	2
	6	73468	(000000-	) Fitting-Pls E90	2
	7	83806	(000000-	) Hose, Vinyl .62Id .88Od 2.0L	2
	8	73433	(000000-	) Valve, Solenoid, 12V Dc	2
	9	47701	(000000-	) Ftg,Plstc,Elb,Barb.50Pt-.62Hse	3
	10	86508	(000000-	) Fitting, Plstc, Str, Pm08/Pm08	1
	11	79497	(000000-	) Ftg,Plstc,Tee.50-.50-.50Pipe	1
	12	83807	(000000-	) Hose, Vinyl .62Id .88Od 5.3L	1
	13	41440	(000000-	) Ftg, Plastic,Str	1
	14	78398	(000000-	) Ftg,Plstc,Str,Barb.50Pt-.75Hse	1
	15	73478	(000000-	) Hose, Vinyl Clr, .75Idx 65.0Lg	1
	16	83799	(000000-	) Bracket, Angle	1
	17	83798	(000000-	) Bracket, Clamp	1
▽	18	375322	(000000-	) Kit, Fitting, Garden Hose	1
▲	19	01316	(000000-	) Washer, Rbr, .12 0.66b 1.00d	1
	20	10672	(000000-	) Plate, Backup	2
	21	33295	(000000-	) Ftg Qkdisc, Male	1
	22	48988	(000000-	) Nut-Hx Jam 1.00-14 Pltd	1
	23	86824	(000000-	) Clamp-Wormdrive 0.50-1.06D	8
	24	10678	(000000-	) Fitting, Bulkhead Fem,	1

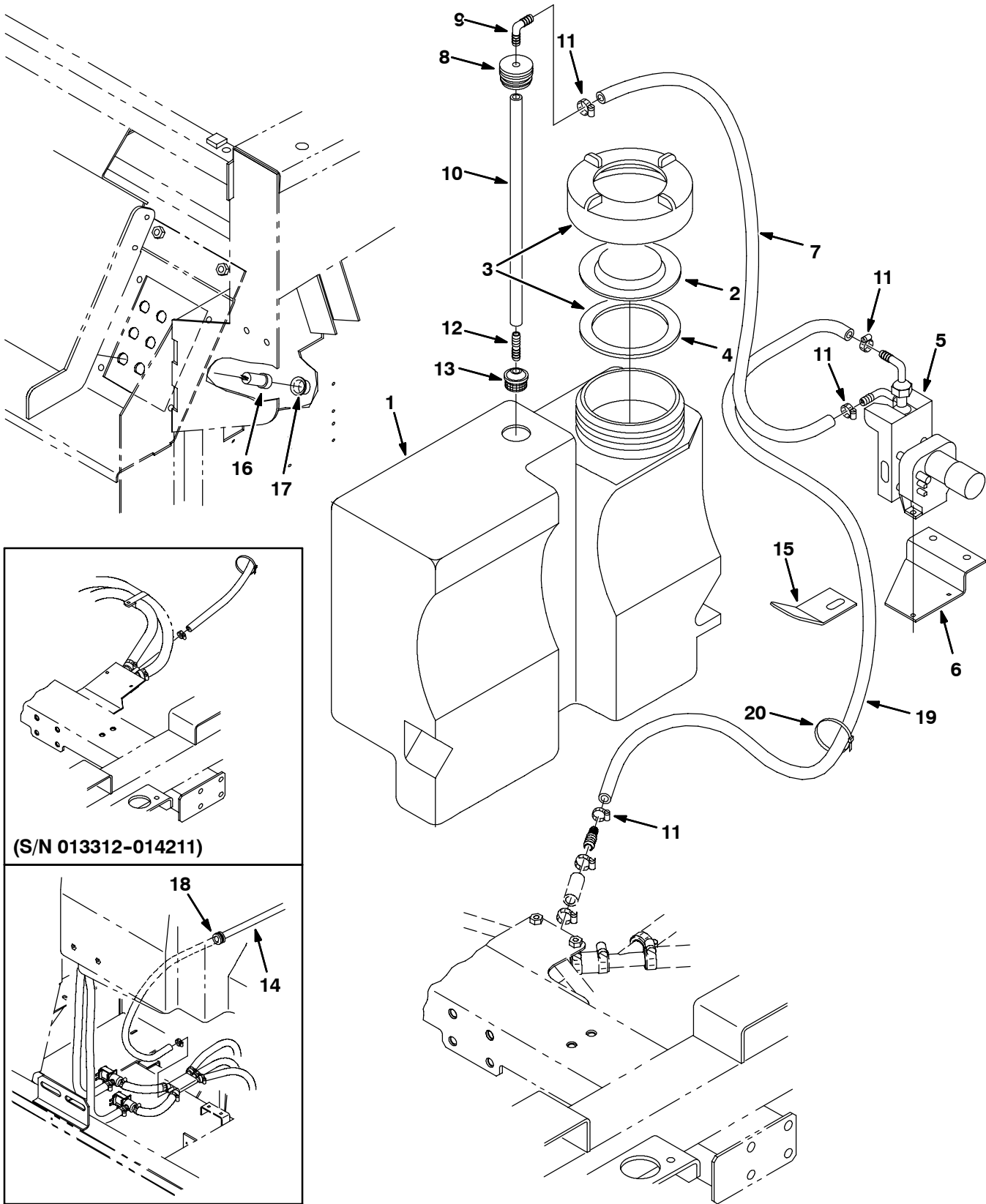
Fig. 2 - ES Pump Column Group



**Fig. 2 - ES Pump Column Group**

<b>Ref.</b>	<b>Part No.</b>	<b>Serial Number</b>	<b>Description</b>	<b>Qty.</b>
1	20866	(000000-012499 )	Kit, Backflush, W/Harness Replaces 379001 (See Breakdowns)	1
2	10573	(000000-012499 )	Screen, Sol, Dbl Cylindrical	1
3	77237	(000000-012499 )	Cover, Motor	1
4	71167	(000000-012499 )	Hose, Rubber	1
5	20891	(012500-014238 )	Pump, Water (See Breakdowns)	1
6	20895	(012500-014238 )	Filter, Backflush 35 Mesh	1
7	10575	(000000-	) Fitting, Plastic	1
8	69784	(000000-	) Fitting, Plstc	1
9	374631	(012500-014238 )	Hose, Molded, Es	1
10	71168	(000000-	) Clamp, Hose	2
11	391946	(014239-	) Harness, Jumper, Pump [7400/8410]	1
12	1021210	(014239-	) Pump Assy, Column, Es (See Breakdowns)	1
13	10573	(014239-	) Strainer, Soltn, 20 Mesh, Cyl 4.0d 8.0l	1
14	369811	(014239-	) Hose, Pvc, Brd, 0.62id 0.88od 09.00l	1

Fig. 3 - ES Detergent Tank Group

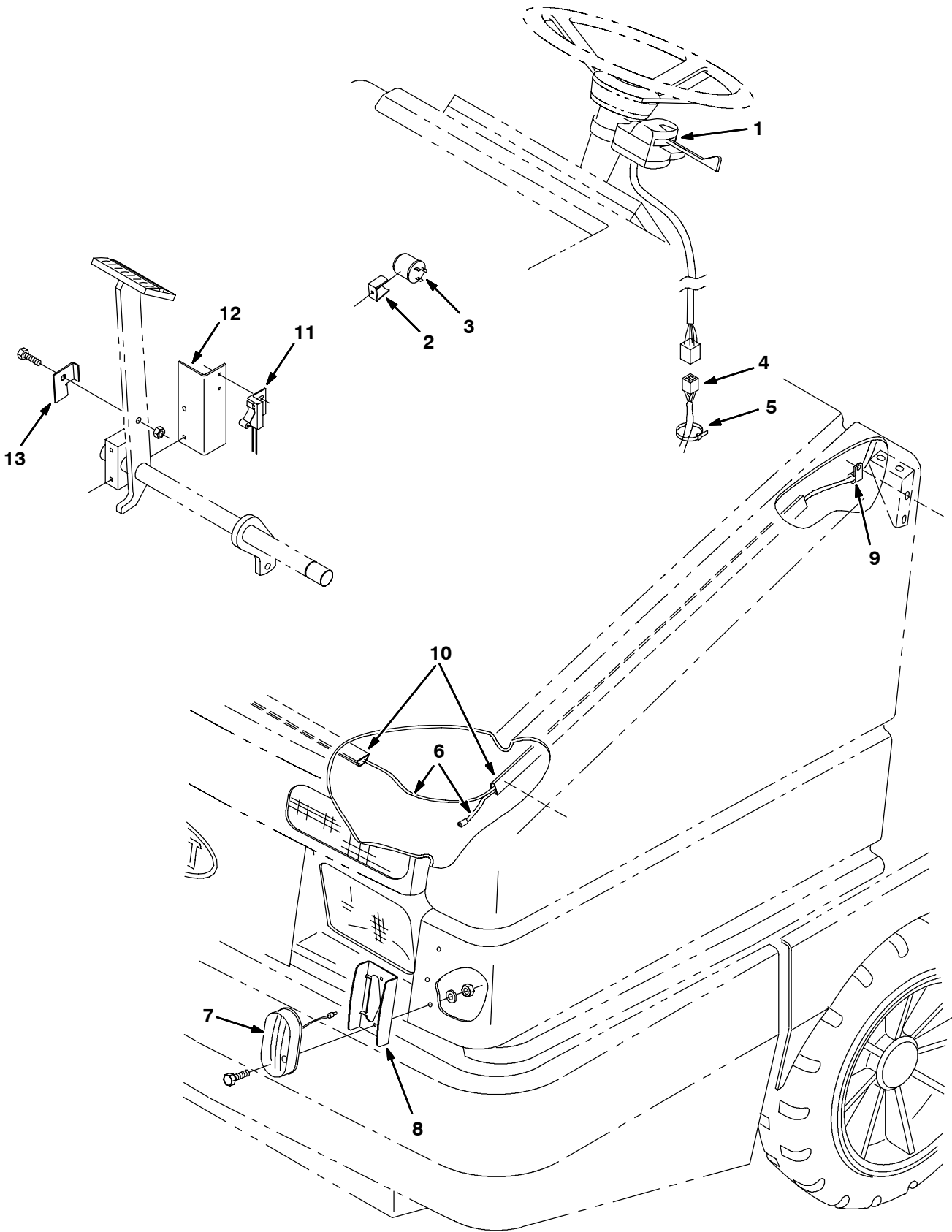




**Fig. 3 - ES Detergent Tank Group**

Ref.	Part No.	Serial Number	Description	Qty.
	1	72991	(000000- ) Tank, Detergent	1
	2	86636	(000000- ) Cover Lid	1
▽	3	24358	(000000- ) Cap Tank	1
▲	4	1031699	(000000- ) Gasket, .19, 4.05id 5.29od [Buna]	1
	5	73260	(000000- ) Pump, Detergent Metering (See Breakdowns)	1
	6	72990	(000000- ) Bracket, Metering Pump	1
	7	22787	(000000- ) Hose, Vinyl, Cl Nyre .38ldx28L	1
	8	20944	(000000- ) Grommet, Detergent Tank	1
	9	20951	(000000- ) Fitting-Barb,90Deg,3/8 Id Hose	1
	10	22786	(000000- ) Hose, Vinyl, Cl Nyre .38ldx21L	1
	11	43844	(000000- ) Clamp-Wormdrive, 0.25- 0.62D	4
	12	20950	(000000- ) Fitting-Barb, Strt 3/8 Id Hose	1
	13	20952	(000000- ) Screen, Pump, Detergent	1
	14	84084	(000000-013311 ) Hose, Vinyl Clr.38ld X 80.0Lg	1
	15	72989	(000000- ) Bracket, Detergent Tank	1
	16	57803	(000000- ) Breaker-Circuit, 15A Resetable	1
	17	57751	(000000- ) Boot,Circuit Breaker	1
	18	10632-18	(000000-013311 ) Grommet, Rbr, 0.69ld	1
	19	22787	(013312- ) Hose, Vinyl, Cl Nyre .38ldx28L	1
	20	49266	(013312- ) Tie, Cable, Nyl, 07.3l .19w 1.8 Max D	1

Fig. 4 - Light Kit, Signal



**Fig. 4 - Light Kit, Signal**

	<b>Ref.</b>	<b>Part No.</b>	<b>Serial Number</b>	<b>Description</b>	<b>Qty.</b>
▽		73455	(000000-	) Light Kit Signal	1
▲▽	1	60751	(000000-	) Signal Turn	1
▲▲		48570	(000000-	) Bulb, 12V .1A 01Cp #53	1
▲	2	24576-1	(000000-	) Bracket, Flasher	1
▲	3	31922	(000000-	) Flasher Heavy Duty	1
▲	4	73440	(000000-	) Harness, Turn Signal	1
▲	5	49266	(000000-	) Tie, Cable 1.75D Max 7.50Lg	6
▲	6	60284	(000000-	) Harness, Turn Signal	1
▲▽	7	34848	(000000-	) Light Assy Mark/Yel 12V- . A	2
▲▲		87948	(000000-	) Bulb, 12V .27A 2Cp #194	1
▲	8	72178	(000000-	) Bracket, Light, Sbdc	2
▲	9	40678	(000000-	) Clamp,Cable .44D .62Wide	1
▲	10	86332	(000000-	) Duct, Vinyl .40X.75X26.0 .25D	2
▲	11	59962	(000000-	) Switch, Roller	1
▲	12	73425	(000000-	) Bracket, Switch	1
▲	13	78935	(000000-	) Bracket	1

Fig. 5 - Light Kit, Flashing Overhead Guard

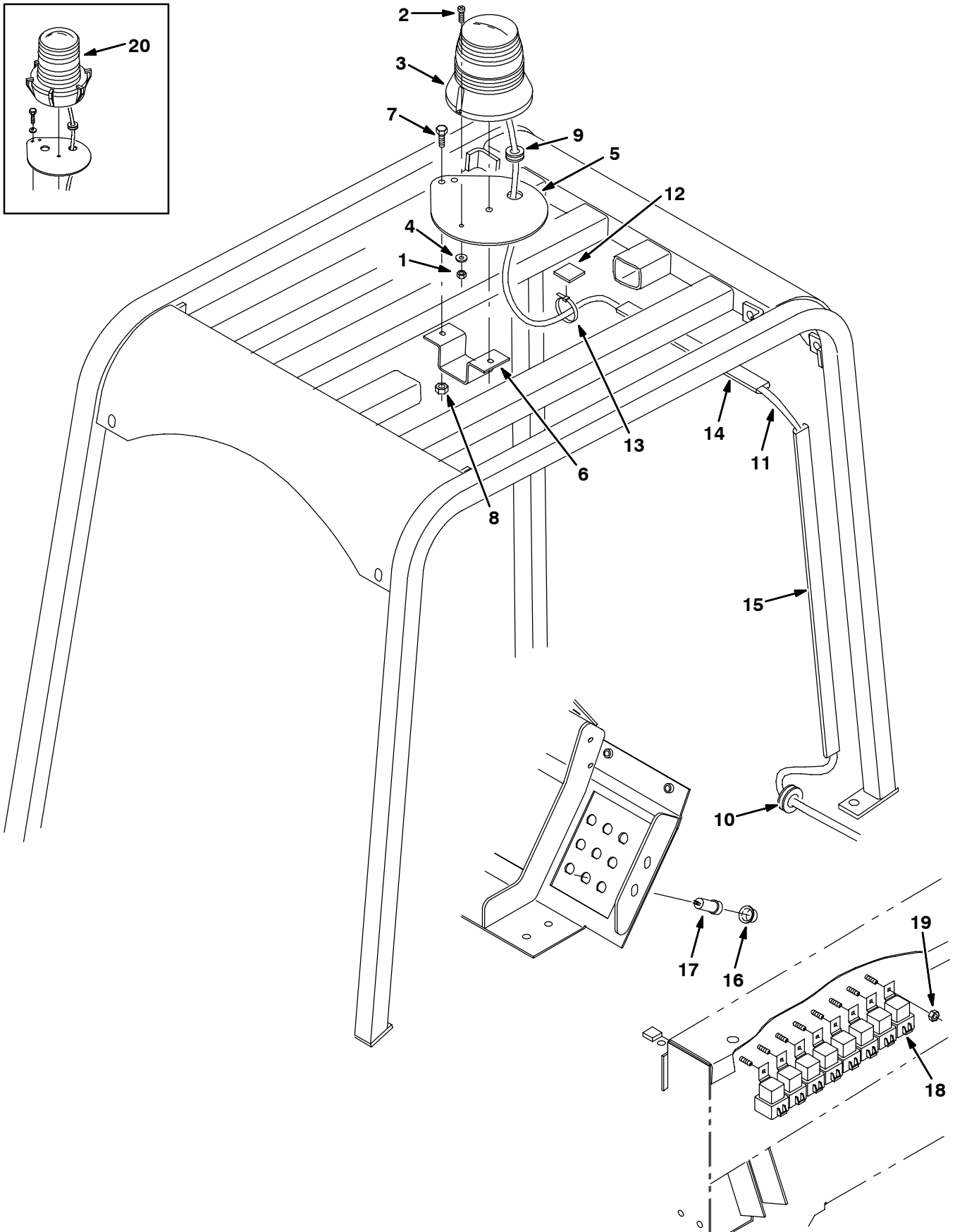
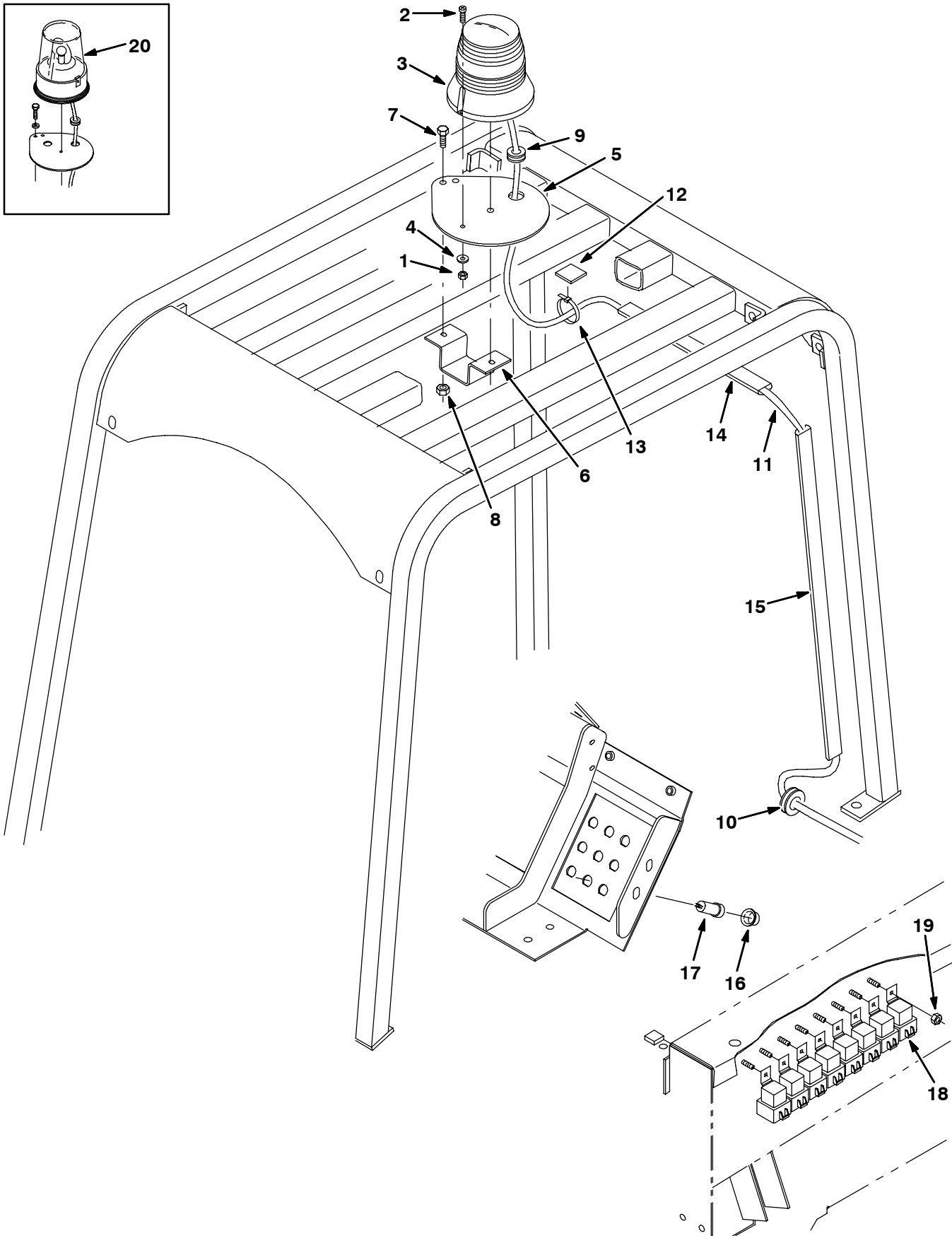


Fig. 5 - Light Kit, Flashing Overhead Guard

Ref.	Part No.	Serial Number	Description	Qty.
▽	73457	(000000-	) Light Kit, Strobe, Ohg, Ci [8400/10]	1
▲	1 06549	(000000-	) Nut, Hex, Lock, M5 X 0.8, NI	2
▲	2 09244	(000000-	) Screw, Hex, M5 X 0.8 X 16, 8.8	2
▲▽	3 1017250	(014206-	) Lamp Strobe, Amb [12-48 Vdc]	1
▲▲	9000879	(014206-	) Lens, Lamp, Amb, Strobe/Flasher	1
▲▲	9000846	(014206-	) Lamp, Bulb, Lamp, Strobe	1
▲	29192	(014206-	) Terminal, Ring, .25stud 16-14ga, Ins	1
▲	55272	(014206-	) Terminal, Bullet, Mal, .157d, 12ga	1
▲	4 19066	(000000-	) Washer, Flat, #10	2
▲	5 57220	(000000-	) Plate, Mtg, Light	1
▲	6 59447	(000000-	) Bracket, Mtg, Light, Ohg	1
▲	7 06942	(000000-	) Screw, Hex, M6 X 1.0 X 16, 8.8	1
▲	8 07790	(000000-	) Nut, Hex, Flng, M6 X 1.0	1
▲	9 10632-9	(000000-	) Grommet, Rbr, 0.63id, F/0.8h, .12 Matl	1
▲	10 10632-18	(000000-	) Grommet, Rbr, 0.69id, F/0.1h, .25 Matl	1
▲	11 60288	(000000-	) Harness, Light, Revl, Ohg [355]	1
▲	12 55248	(000000-	) Mount, Cable Tie	10
▲	13 49266	(000000-	) Tie, Cable, Nyl, 07.3l .19w 1.8 Max D	16
▲	14 86330	(000000-	) Duct, Vyl, 0.40 X 0.75 .25d 10.0l	2
▲	15 78732	(000000-	) Duct, Vyl, 0.40 X 0.75 .25d 19.0l	1
▲	72114	(000000-	) Duct, Vyl, 0.40 X 0.75 .25d 06.0l	1
▲	16 57751	(000000-	) Boot, Dome, .72id .72l, Clear	1
▲	17 57803	(000000-	) Circuitbreaker, 15.0a [Resetable]	1
▲	18 56186	(000000-	) Relay, 12vdc, 40a, Spdt N/O	1
▲	19 08708	(000000-	) Nut, Hex, Lock, M6 X 1.0, NI	1
▽	20 82063	(000000-014205 )	) Light, Flsh, 12vdc, Amb, Rwk 82198	1
▲	58520	(000000-014205 )	) Lens, Amb, Flsh Light [Fr207]	1
▲	45779	(000000-014205 )	) Lamp, 12vdc, 2.1a, 32cp [#1156]	1
	58518	(000000-014205 )	) Lens, Red, Flsh Light [Fr207]	1
	58519	(000000-014205 )	) Lens, Blu, Flsh Light [Fr207]	1

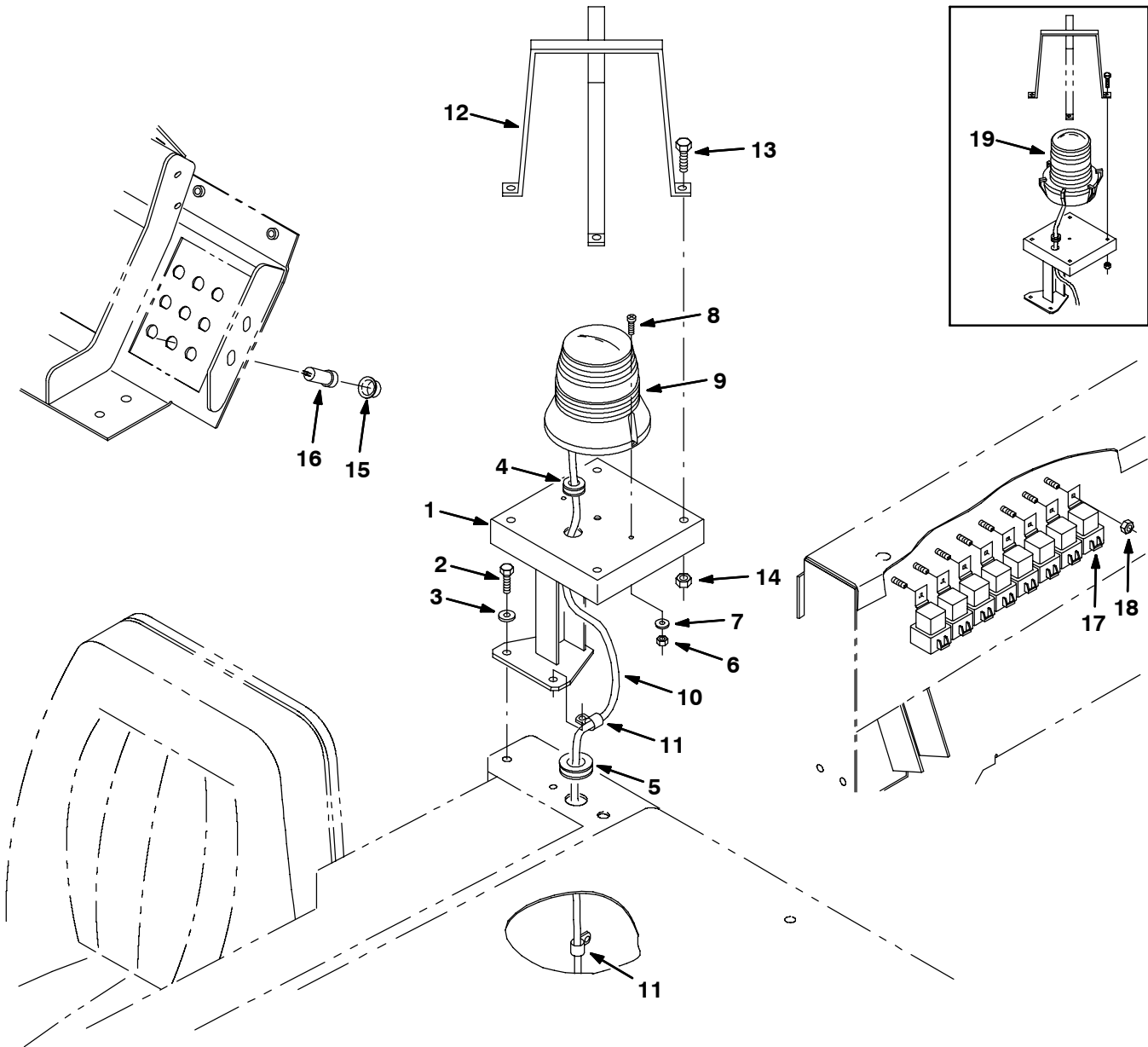
Fig. 6 - Light Kit, Revolving Overhead Guard



**Fig. 6 - Light Kit, Revolving Overhead Guard**

	<b>Ref.</b>	<b>Part No.</b>	<b>Serial Number</b>	<b>Description</b>	<b>Qty.</b>
▽		73457	(000000-	) Light Kit, Strobe, Ohg, Ci [8400/10]	1
▲	1	06549	(000000-	) Nut, Hex, Lock, M5 X 0.8, NI	2
▲	2	09244	(000000-	) Screw, Hex, M5 X 0.8 X 16, 8.8	2
▲▽	3	1017250	(014206-	) Lamp Strobe, Amb [12-48 Vdc]	1
▲▲		9000879	(014206-	) Lens, Lamp, Amb, Strobe/Flasher	1
▲▲		9000846	(014206-	) Lamp, Bulb, Lamp, Strobe	1
▲		29192	(014206-	) Terminal, Ring, .25stud 16-14ga, Ins	1
▲		55272	(014206-	) Terminal, Bullet, Mal, .157d, 12ga	1
▲	4	19066	(000000-	) Washer, Flat, #10	2
▲	5	57220	(000000-	) Plate, Mtg, Light	1
▲	6	59447	(000000-	) Bracket, Mtg, Light, Ohg	1
▲	7	06942	(000000-	) Screw, Hex, M6 X 1.0 X 16, 8.8	1
▲	8	07790	(000000-	) Nut, Hex, Flng, M6 X 1.0	1
▲	9	10632-9	(000000-	) Grommet, Rbr, 0.63id, F/0.8h, .12 Matl	1
▲	10	10632-18	(000000-	) Grommet, Rbr, 0.69id, F/0.1h, .25 Matl	1
▲	11	60288	(000000-	) Harness, Light, Revl, Ohg [355l]	1
▲	12	55248	(000000-	) Mount, Cable Tie	10
▲	13	49266	(000000-	) Tie, Cable, Nyl, 07.3l .19w 1.8 Max D	16
▲	14	86330	(000000-	) Duct, Vyl, 0.40 X 0.75 .25d 10.0l	2
▲	15	78732	(000000-	) Duct, Vyl, 0.40 X 0.75 .25d 19.0l	1
▲		72114	(000000-	) Duct, Vyl, 0.40 X 0.75 .25d 06.0l	1
▲	16	57751	(000000-	) Boot, Dome, .72id .72l, Clear	1
▲	17	57803	(000000-	) Circuitbreaker, 15.0a [Resetable]	1
▲	18	56186	(000000-	) Relay, 12vdc, 40a, Spdt N/O	1
▲	19	08708	(000000-	) Nut, Hex, Lock, M6 X 1.0, NI	1
▽	20	82200	(000000-014205	) Light, Flsh, 12vdc, Amb, Rwk	1
▲		44681-1	(000000-014205	) Lens, Light, Revl, Amb	1
▲		45779	(000000-014205	) Lamp, 12vdc, 2.1a, 32cp [#1156]	1
		44681	(000000-014205	) Lens, Light, Revl, Red	1
		44681-2	(000000-014205	) Lens, Light, Revl, Blu	1

Fig. 7 - Light Kit, Flashing LRC

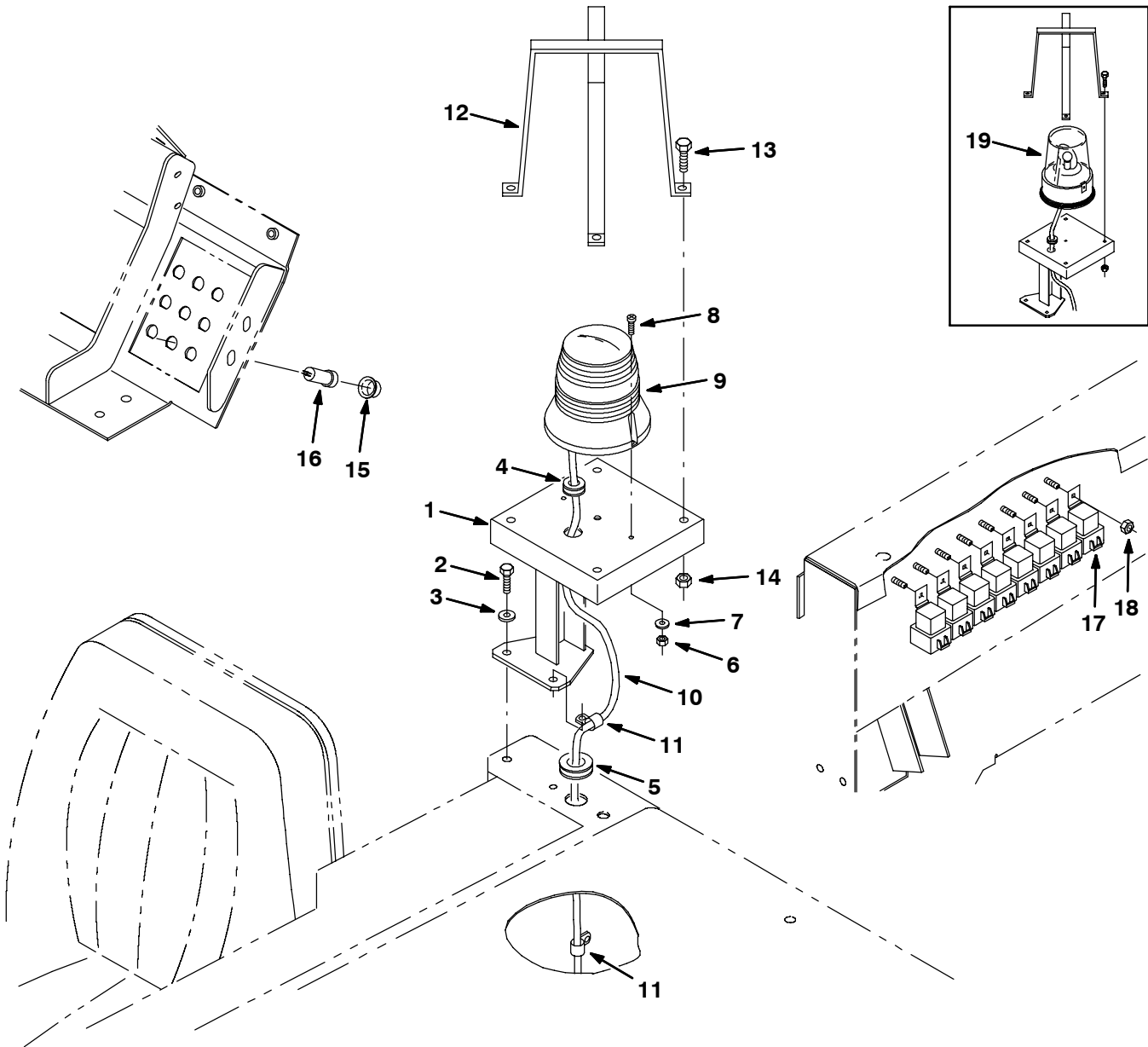




**Fig. 7 - Light Kit, Flashing LRC**

	<b>Ref.</b>	<b>Part No.</b>	<b>Serial Number</b>	<b>Description</b>	<b>Qty.</b>
▽		73461	(000000-	) Light Kit, Strobe, Ped, Ci [8400/10]	1
▲	1	73405	(000000-	) Bracket, Wldt, Light, Rotating	1
▲	2	16931	(000000-	) Screw, Hex, M8 X 1.25 X 20, 8.8	2
▲	3	32491	(000000-	) Washer, Flat, 0.31, Std	2
▲	4	10632-9	(000000-	) Grommet, Rbr, 0.63id, F/0.8h, .12 Matl	2
▲	5	10632-18	(000000-	) Grommet, Rbr, 0.69id, F/0.1h, .25 Matl	1
▲	6	06549	(000000-	) Nut, Hex, Lock, M5 X 0.8, NI	2
▲	7	08793	(14206-	) Washer, Flat, .20b .50d .06, Alm, Blind	2
▲	8	09244	(14206-	) Screw, Hex, M5 X 0.8 X 16, 8.8	2
▲▽	9	1017250	(14206-	) Lamp Strobe, Amb [12-48 Vdc]	1
▲▲		9000879	(14206-	) Lens, Lamp, Amb, Strobe/Flasher	1
▲▲		9000845	(14206-	) Lamp, Bulb, Lamp, Flsh	1
▲		55272	(14206-	) Terminal, Bullet, Mal, .157d, 12ga	1
▲		29192	(14206-	) Terminal, Ring, .25stud 16-14ga, Ins	1
▲	10	71543	(000000-	) Harness, Light, Flsh, Revl, [ 355l]	1
▲	11	46236	(000000-	) Clamp, Cable, Stl, 0.25d X 0.56w, 1h	2
▲	12	45272	(000000-	) Guard Wldt, Light, Revl/Flsh	1
▲	13	06943	(000000-	) Screw, Hex, M6 X 1.0 X 20, 8.8	4
▲	14	08708	(000000-	) Nut, Hex, Lock, M6 X 1.0, NI	4
▲	15	57751	(000000-	) Boot, Dome, .72id .72l, Clear	1
▲	16	57803	(000000-	) Circuitbreaker, 15.0a [Resetable]	1
▲	17	56186	(000000-	) Relay, 12vdc, 40a, Spdt N/O	1
▲	18	08708	(000000-	) Nut, Hex, Lock, M6 X 1.0, NI	1
▽	19	82063	(000000-14205	) Light, Flsh, 12vdc, Amb, Rwk 82198	1
▲		58520	(000000-14205	) Lens, Amb, Flsh Light [Fr207]	1
▲		45779	(000000-14205	) Lamp, 12vdc, 2.1a, 32cp [#1156]	1
		58518	(000000-14205	) Lens, Red, Flsh Light [Fr207]	1
		58519	(000000-14205	) Lens, Blu, Flsh Light [Fr207]	1

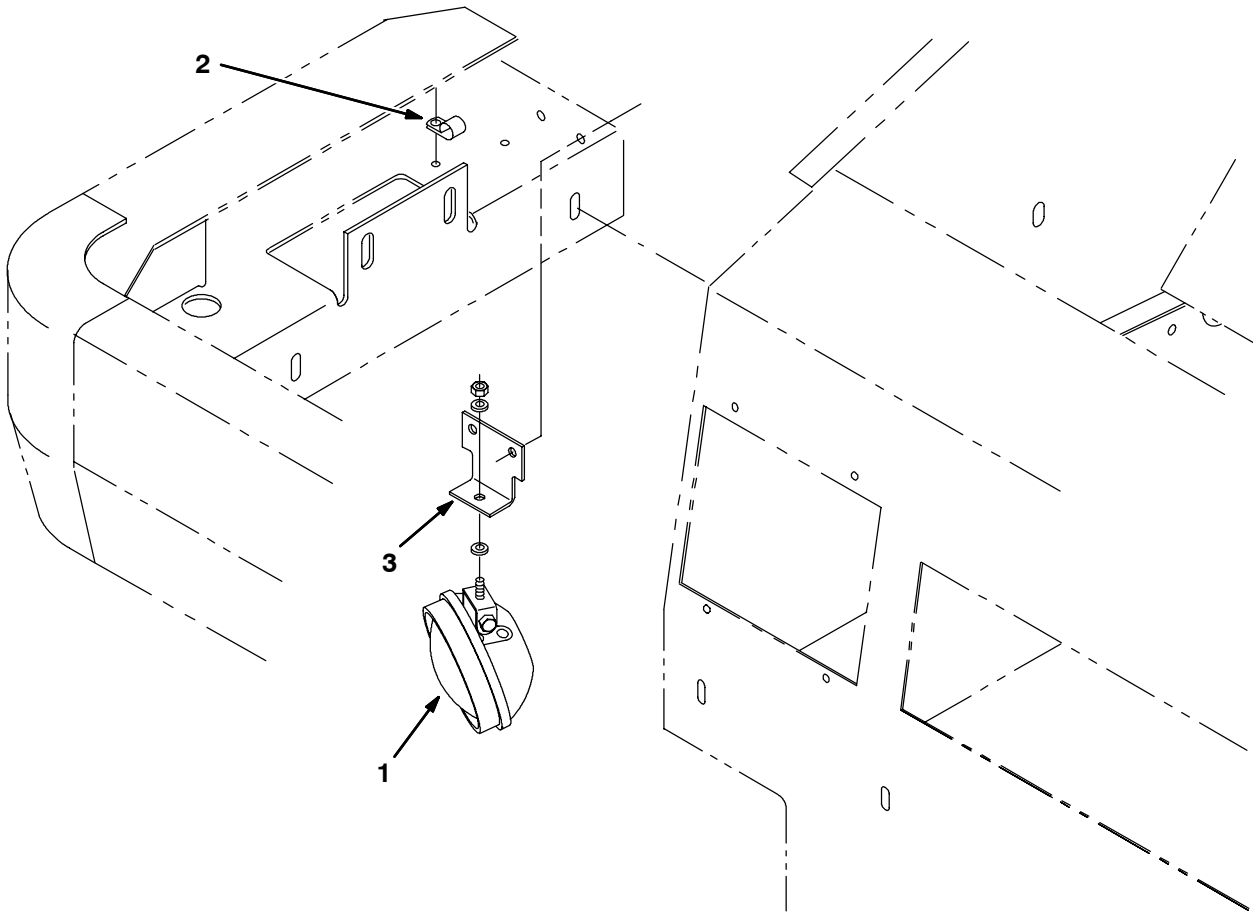
Fig. 8 - Light Kit, Revolving LRC



**Fig. 8 - Light Kit, Revolving LRC**

	<b>Ref.</b>	<b>Part No.</b>	<b>Serial Number</b>	<b>Description</b>	<b>Qty.</b>
▽		73463	(000000-	) Light Kit, Flsh, Ped, Ci [8400/10]	1
▲	1	73405	(000000-	) Bracket, Wldt, Light, Rotating	1
▲	2	16931	(000000-	) Screw, Hex, M8 X 1.25 X 20, 8.8	2
▲	3	32491	(000000-	) Washer, Flat, 0.31, Std	2
▲	4	10632-9	(000000-	) Grommet, Rbr, 0.63id, F/0.8h, .12 Matl	2
▲	5	10632-18	(000000-	) Grommet, Rbr, 0.69id, F/0.1h, .25 Matl	1
▲	6	06549	(000000-	) Nut, Hex, Lock, M5 X 0.8, NI	2
▲	7	08793	(14206-	) Washer, Flat, .20b .50d .06, Alm, Blind	2
▲	8	09244	(14206-	) Screw, Hex, M5 X 0.8 X 16, 8.8	2
▲▽	9	1017250	(14206-	) Lamp Strobe, Amb [12-48 Vdc]	1
▲▲		9000879	(14206-	) Lens, Lamp, Amb, Strobe/Flasher	1
▲▲		9000845	(14206-	) Lamp, Bulb, Lamp, Flsh	1
▲		55272	(14206-	) Terminal, Bullet, Mal, .157d, 12ga	1
▲		29192	(14206-	) Terminal, Ring, .25stud 16-14ga, Ins	1
▲	10	71543	(000000-	) Harness, Light, Flsh, Revl, [ 355l]	1
▲	11	46236	(000000-	) Clamp, Cable, Stl, 0.25d X 0.56w, 1h	2
▲	12	45272	(000000-	) Guard Wldt, Light, Revl/Flsh	1
▲	13	06943	(000000-	) Screw, Hex, M6 X 1.0 X 20, 8.8	4
▲	14	08708	(000000-	) Nut, Hex, Lock, M6 X 1.0, NI	4
▲	15	57751	(000000-	) Boot, Dome, .72id .72l, Clear	1
▲	16	57803	(000000-	) Circuitbreaker, 15.0a [Resetable]	1
▲	17	56186	(000000-	) Relay, 12vdc, 40a, Spdt N/O	1
▲	18	08708	(000000-	) Nut, Hex, Lock, M6 X 1.0, NI	1
▽	19	82200	(000000-14205	) Light, Flsh, 12vdc, Amb, Rwk	1
▲		44681-1	(000000-14205	) Lens, Light, Revl, Amb	1
▲		45779	(000000-14205	) Lamp, 12vdc, 2.1a, 32cp [#1156]	1
		44681	(000000-14205	) Lens, Light, Revl, Red	1
		44681-2	(000000-14205	) Lens, Light, Revl, Blu	1

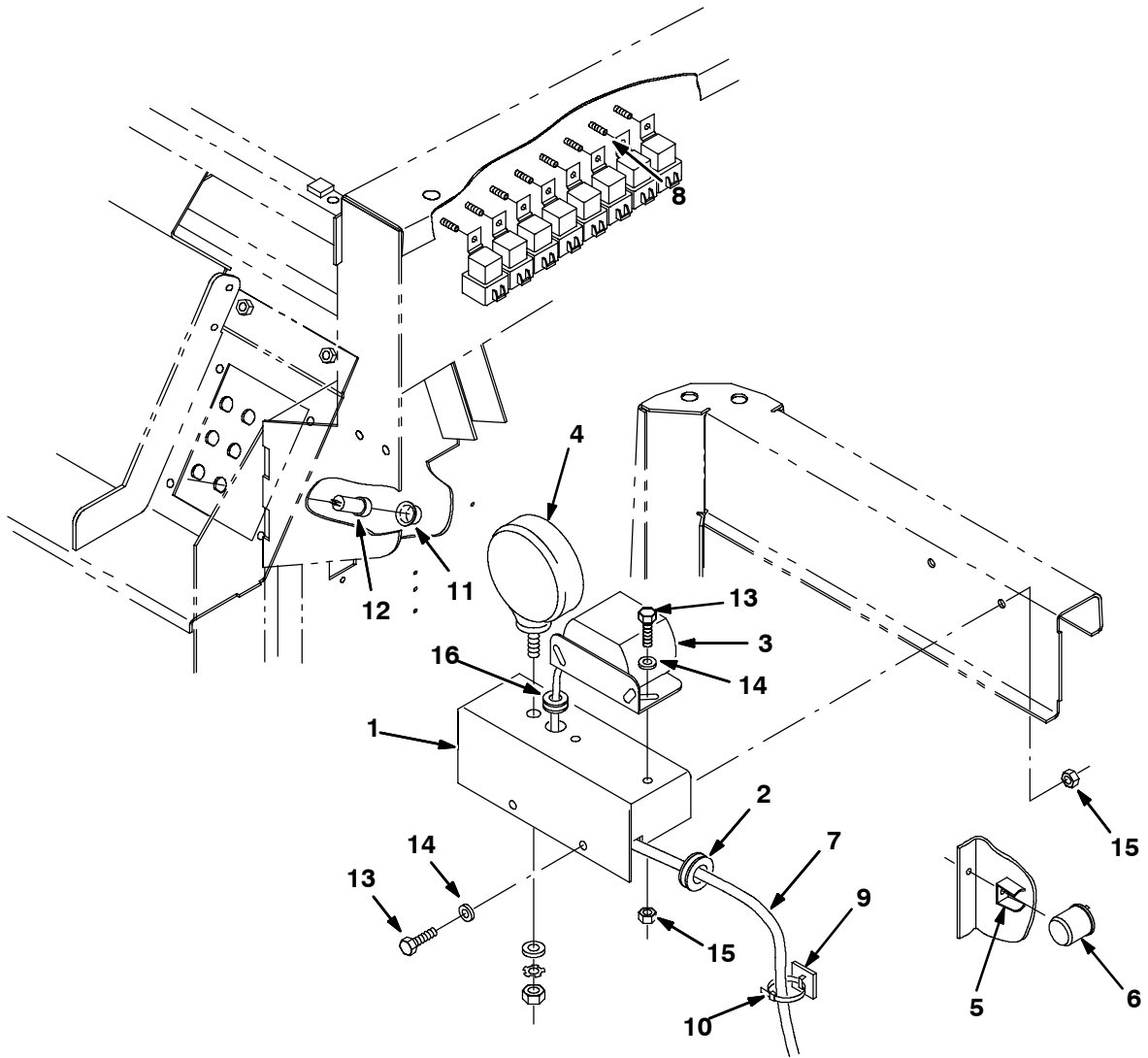
**Fig. 9 - Light Kit, Side Brush**



09688 - ALL

Ref.	Part No.	Serial Number	Description	Qty.
▽	73470	(000000-	) Light Kit, Side Brush	1
▲▽	1 73403	(000000-	) Light Assy Work/Clr 12V- . A	1
▲▲	51570	(000000-	) Bulb GE	1
▲	2 40678	(000000-	) Clamp, Cable .44D .62Wide	1
▲	3 79397	(000000-	) Bracket, Mounting	1

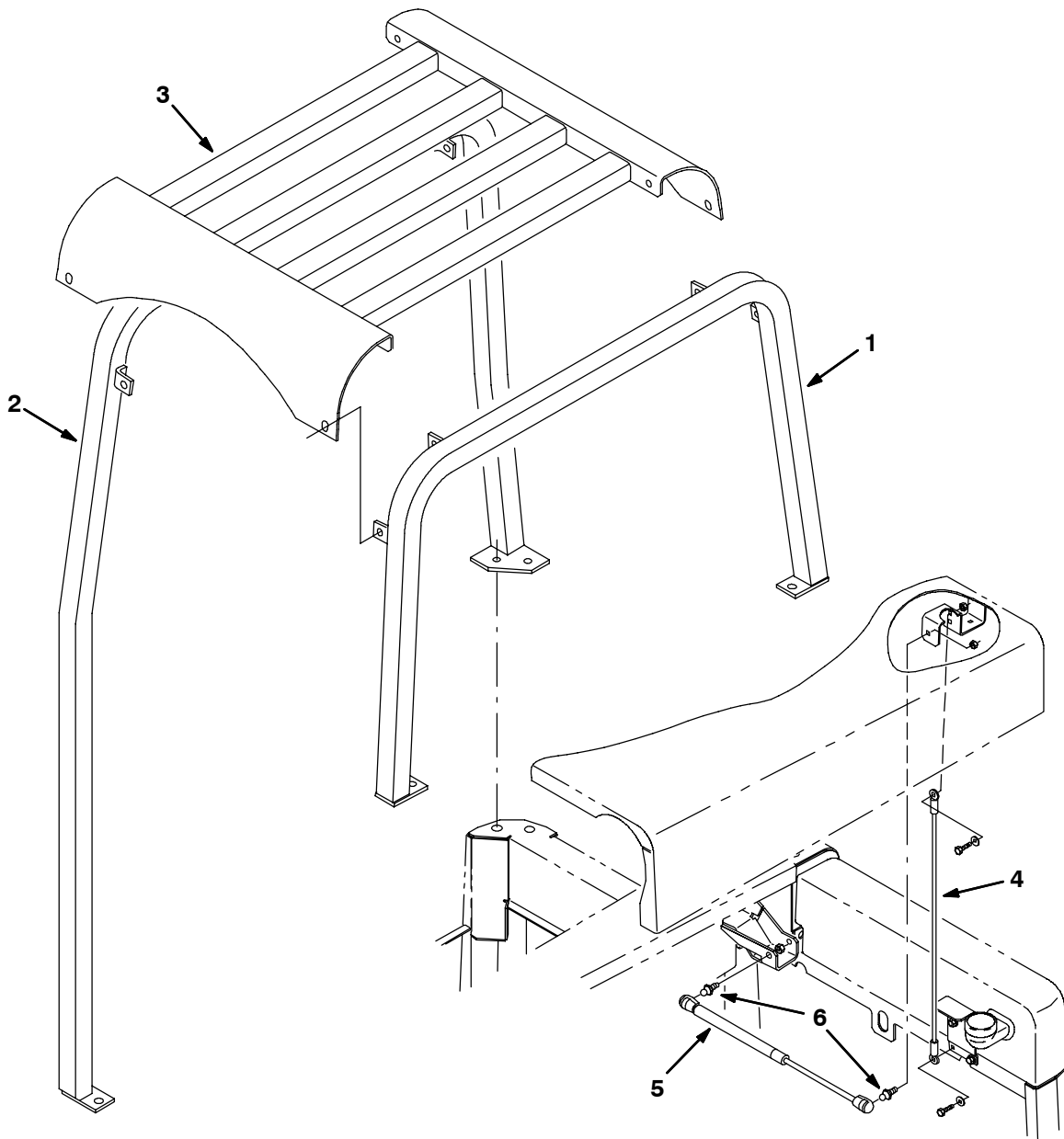
Fig. 10 - Back-Up Alarm Kit



11185 - ALL

Ref.	Part No.	Serial Number	Description	Qty.
▽	84073	(000000-	) Alarm Kit, Backup	1
▲	1 73421	(000000-	) Bracket, Alarm Backup	1
▲	2 10632-18	(000000-	) Grommet, Rbr, 0.69Id, For.25Matl	1
▲	3 61920	(000000-	) Horn, Back-Up Alarm	1
▲▽	4 36438	(000000-	) Headlight Assy, 210G	1
▲▲	36439	(000000-	) Bulb, 12V .9A 15	1
▲	5 24576-1	(000000-	) Bracket, Flasher	1
▲	6 24576	(000000-	) Flasher, 12V. Ideal	1
▲	7 71544	(000000-	) Harness, Alarm, Backup	1
▲	8 56186	(000000-	) Relay, Shrouded, 12 VDC	1
▲	9 55248	(000000-	) Cabletie Mount, Adhesive	2
▲	10 49266	(000000-	) Tie, Cable 1.75D Max 7.50Lg	5
▲	11 57751	(000000-	) Boot, Circuit Breaker	1
▲	12 57803	(000000-	) Breaker-Circuit, 15A Resetable	1
▲	13 16931	(000000-	) Screw, Hex, M8 X 1.25 X 20, 8.8	4
▲	14 32491	(000000-	) Washer, Flat, 0.31, Std	4
▲	15 07791	(000000-	) Nut, Hex, Flng, M8 X 1.25	4
▲	16 10632-9	(000000-	) Grommet, Rbr, 0.63id, F/0.8h, .12 Matl	1

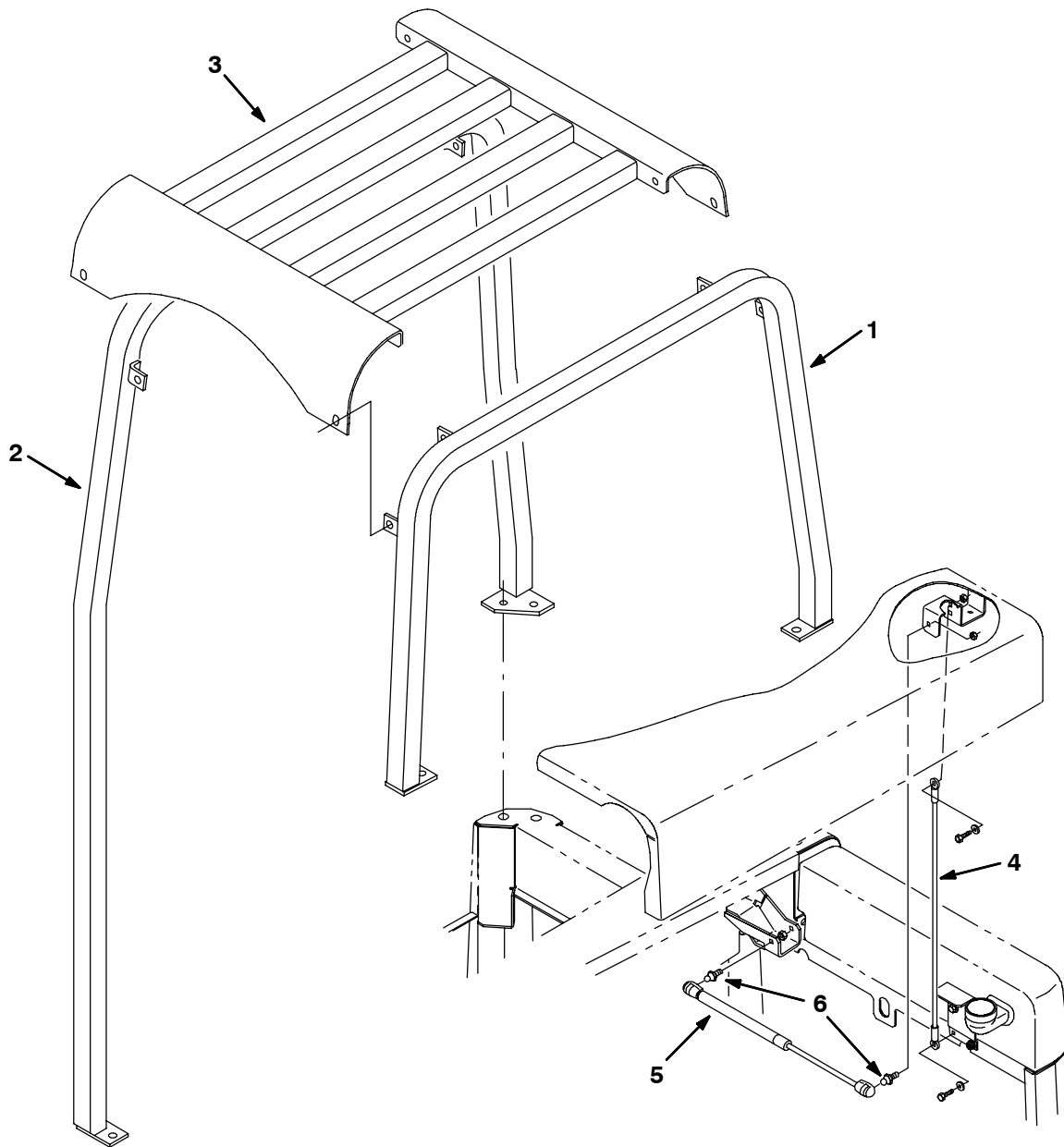
**Fig. 11 - Overhead Guard Kit**



11187 - 8410, NA

Ref.	Part No.	Serial Number	Description	Qty.
▽	83898	(000000-	) Guard Kit, Ohg	1
▲	1 73404	(000000-	) Tube, Leg, Ohg, Lh	1
▲	2 73408	(000000-	) Tube, Leg, Ohg, Rh	1
▲	3 73412	(000000-	) Guard Wldt, Oh, Top	1
▲	4 36192	(000000-	) Lanyard Assy	1
▲	5 84018	(000000-	) Spring, Gas 90Lb 5.98 Stroke	1
▲	6 58494	(000000-	) Stud, Ball, Gas Spring	2

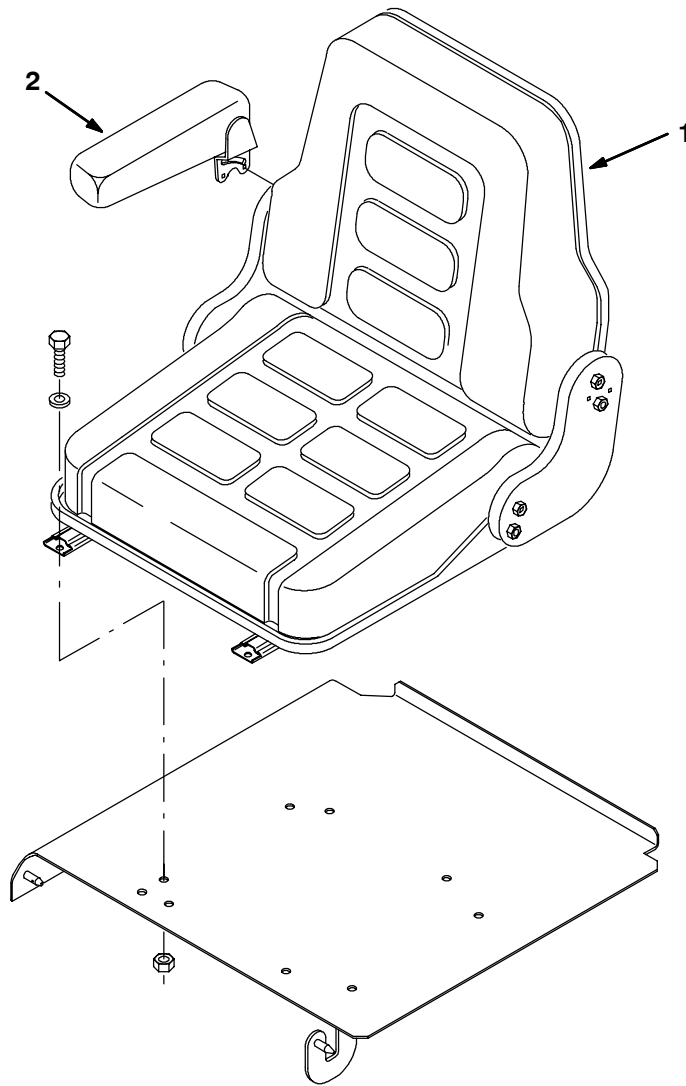
Fig. 12 - Overhead Guard Kit, 87"



11195 - 8410, NA

Ref.	Part No.	Serial Number	Description	Qty.
▽	84076	(000000-	) Guard Kit, Overhead, 87 Height	1
▲	1 22911	(000000-	) Tube Wldt, Leg, Ohg	1
▲	2 22912	(000000-	) Tube Wldt, Leg, Ohg, Lh	1
▲	3 73412	(000000-	) Guard Wldt, Oh, Top	1
▲	4 36192	(000000-	) Lanyard Assy	1
▲	5 84018	(000000-	) Spring, Gas 90Lb 5.98 Stroke	1
▲	6 58494	(000000-	) Stud, Ball, Gas Spring	2

**Fig. 13 - Seat Kit**

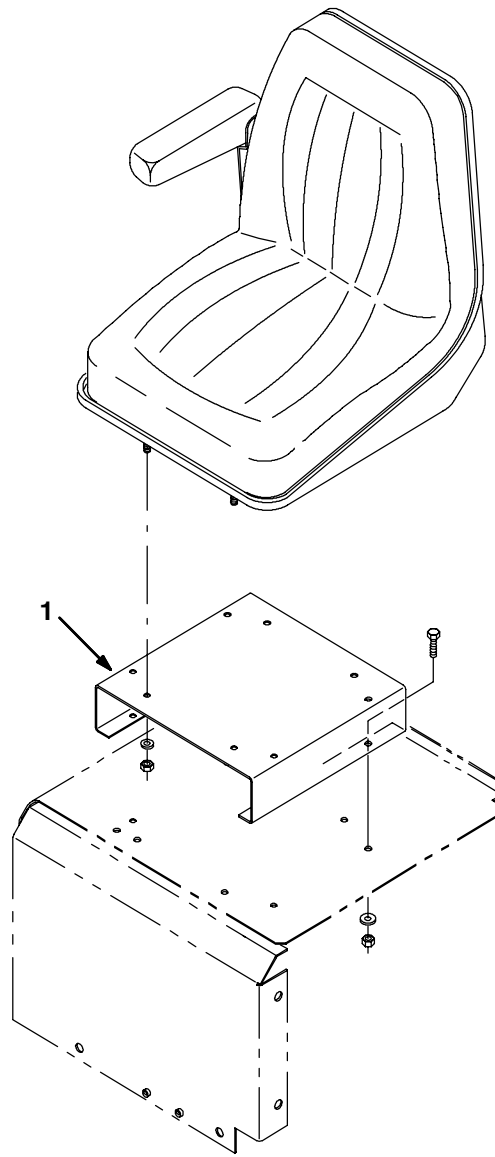


09106 - ALL

	<b>Ref.</b>	<b>Part No.</b>	<b>Serial Number</b>	<b>Description</b>	<b>Qty.</b>
▽		78981	(000000-	) Seat Kit, Grammer 8400/8410	1
▲	1	53845	(000000-	) Seat, Grammer	1
▲	2	71477	(000000-	) Armrest Assy, Rh	1



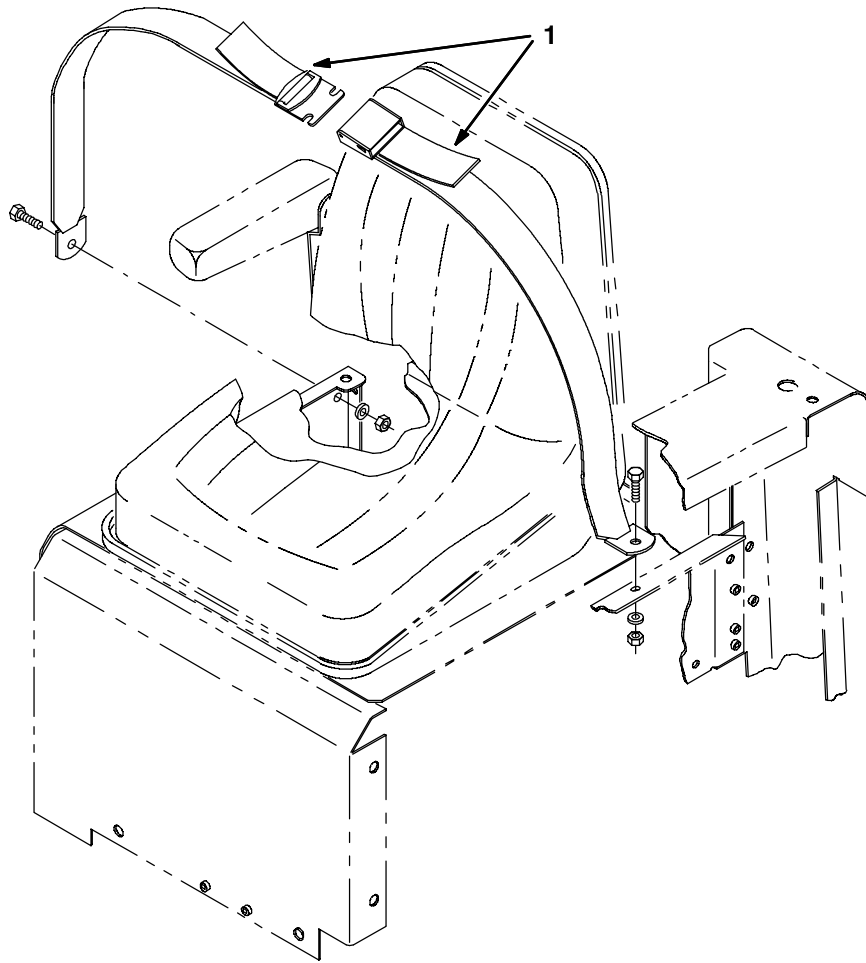
Fig. 14 - Seat Mounting Bracket Kit



10234 - ALL

	Ref.	Part No.	Serial Number	Description	Qty.
▽		10595	(000000-	) Bracket, Mounting, Seat Kit	1
▲	1	10581	(000000-	) Bracket, Mounting, Seat	1

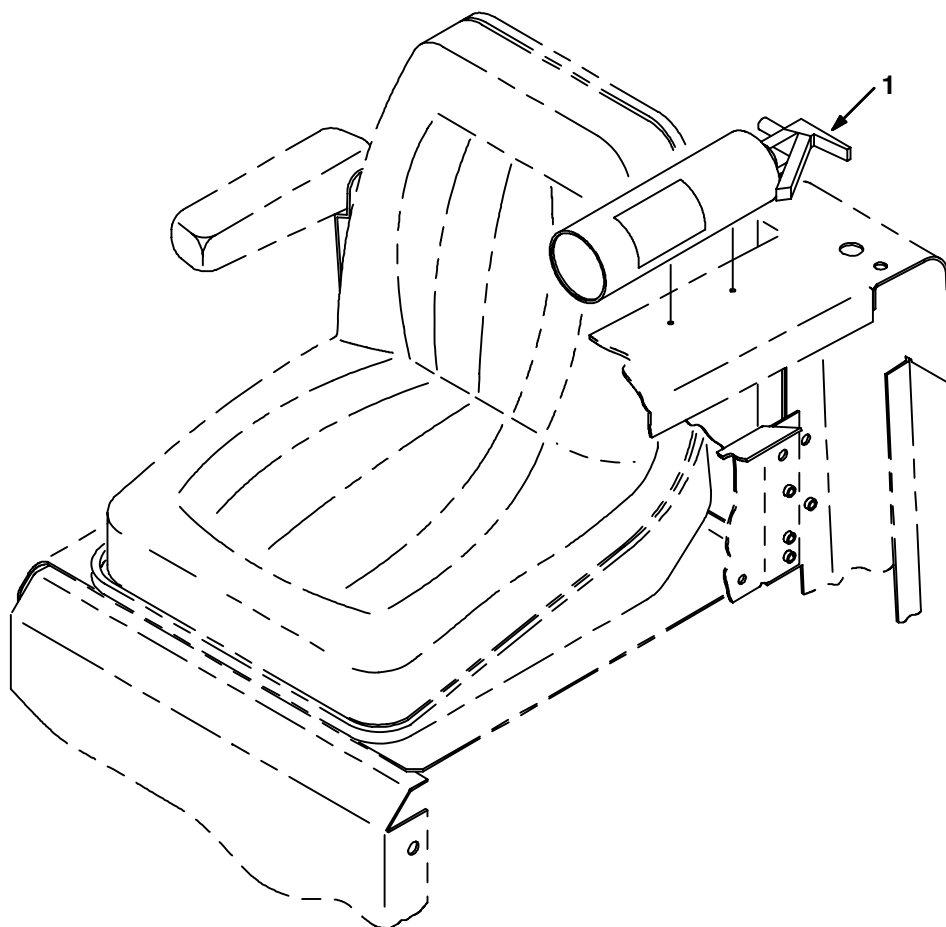
**Fig. 15 - Seat Belt Kit**



09108 - ALL

	<b>Ref.</b>	<b>Part No.</b>	<b>Serial Number</b>	<b>Description</b>	<b>Qty.</b>
▽		78985	(000000-	) Seat Belt Kit 8400/8410	1
▲	1	30533	(000000-	) Seat Belt	1

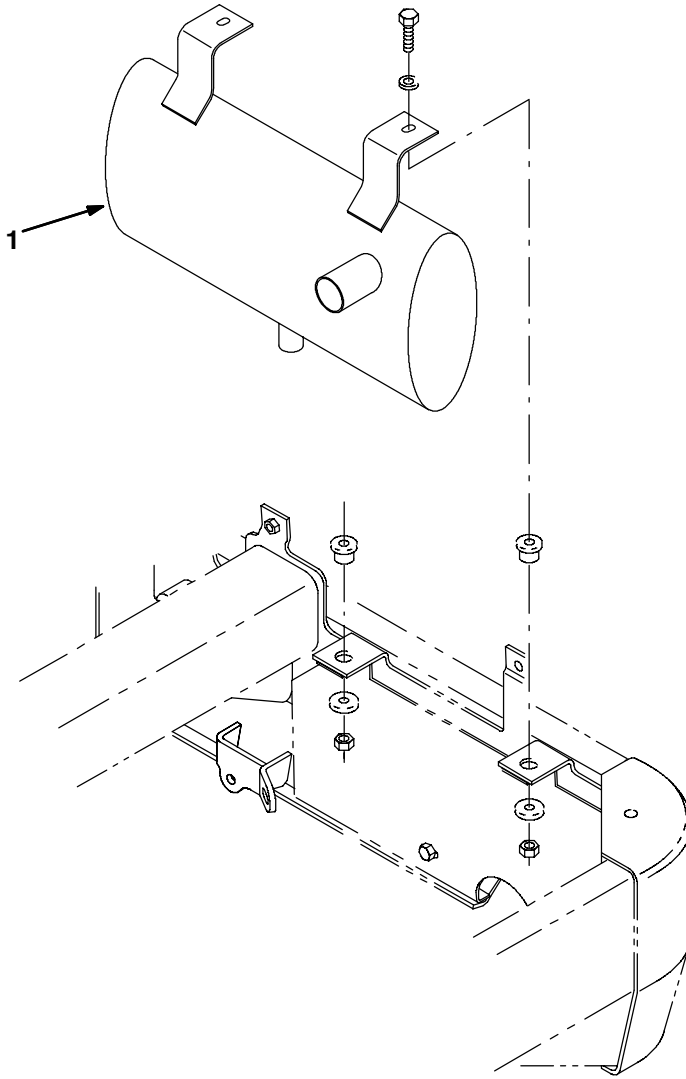
Fig. 16 - Fire Extinguisher Kit



09104 - ALL

	Ref.	Part No.	Serial Number	Description	Qty.
▽		78987	(000000-	) Extinguisher Kit Fire 8400/8410	1
▲	1	25312	(000000-	) Extinguisher, Fire	1

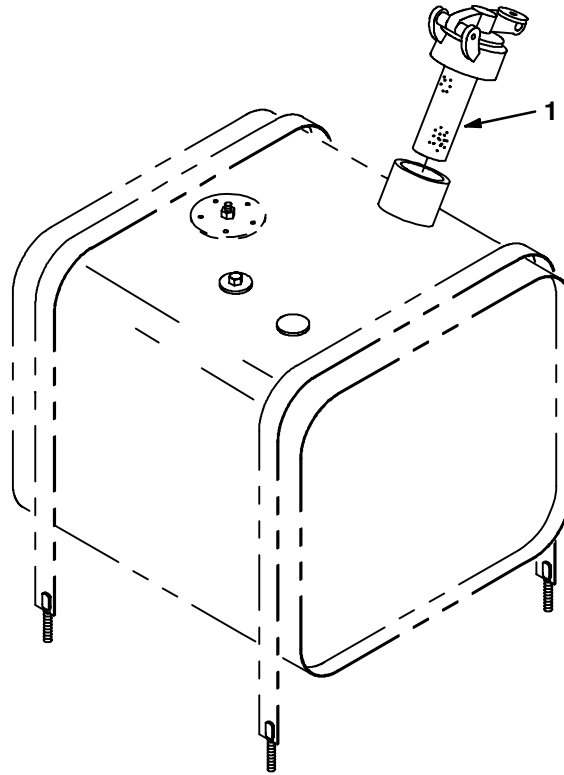
**Fig. 17 - Spark Arresting Muffler Group**



11199 - ALL

Ref.	Part No.	Serial Number	Description	Qty.
1	84007	(000000-	) Muffler, Spark Arresting	1

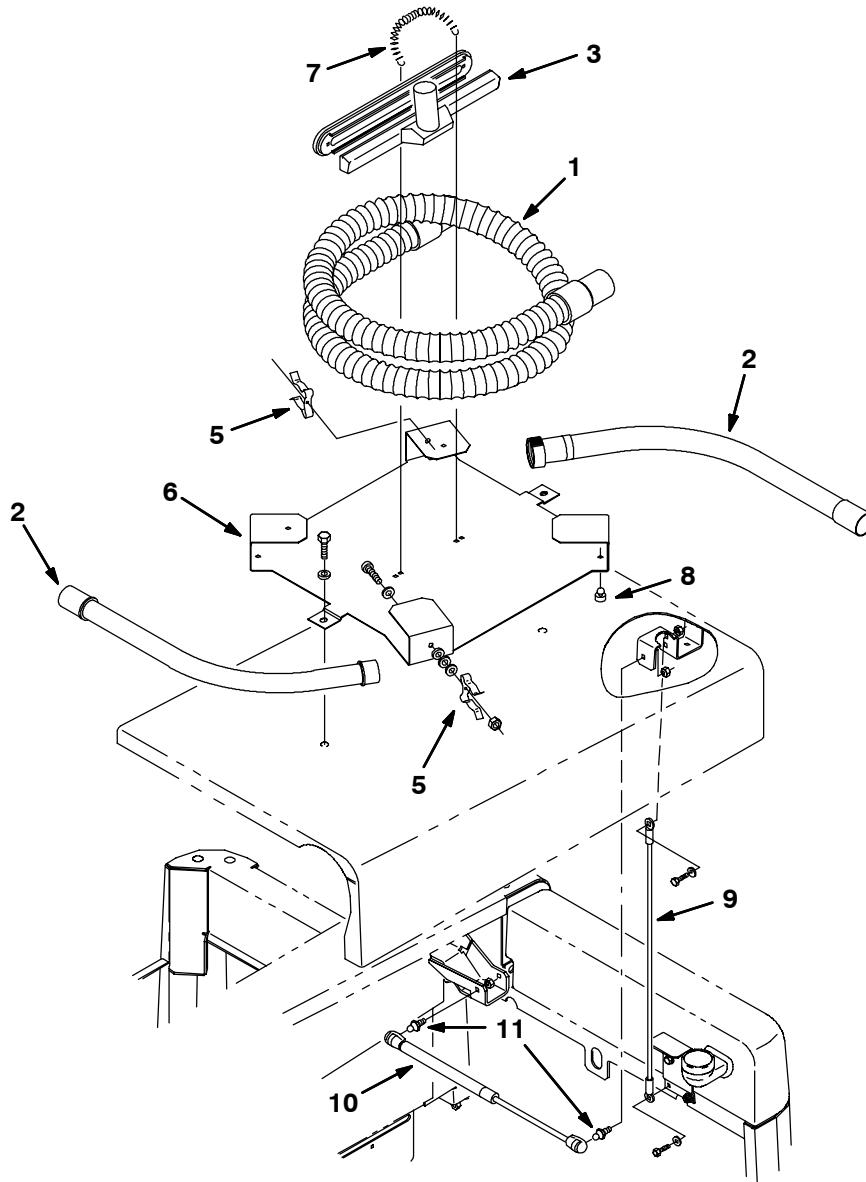
Fig. 18 - Protectoseal Fuel Tank Cap Group



07471 - ALL

Ref.	Part No.	Serial Number	Description	Qty.
1	02506-6	(000000-	) Gas Cap, Protectoseal	1

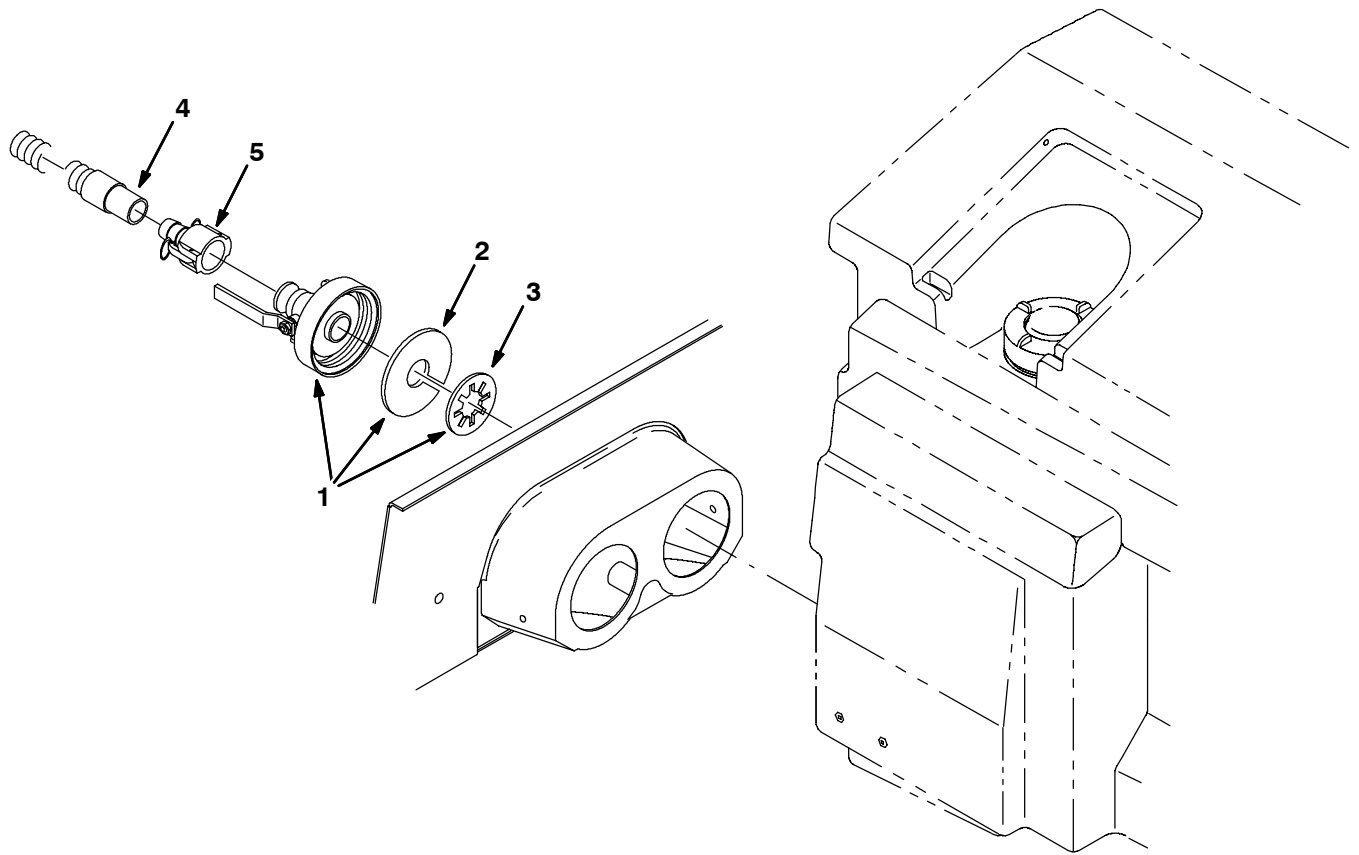
Fig. 19 - Squeegee Wand Kit



11193 - ALL

Ref.	Part No.	Serial Number	Description	Qty.
▽	84071	(000000-	) Squeegee Wand Kit 8410	1
▲	1 78808	(000000-	) Hose, Vacuum	1
▲	2 63448	(000000-	) Wand, Metal - 2PC	1
▲	3 63451	(000000-	) Nozzle, Plastic Wand 14.OLG	1
▲	4 63430	(000000-	) Shoe, Plastic-Squeegee 14IN	1
▲	5 67004	(000000-	) Clip-Finger Grip	4
▲	6 77322	(000000-	) Panel, MTG, Hose	1
▲	7 50304	(000000-	) Spring, EXT	1
▲	8 51787	(000000-	) Bumper, Rubber	4
▲	9 36192	(000000-	) Lanyard Assy	1
▲	10 84018	(000000-	) Spring, Gas 90Lb 5.98 Stroke	1
▲	11 58494	(000000-	) Stud, Ball, Gas Spring	2

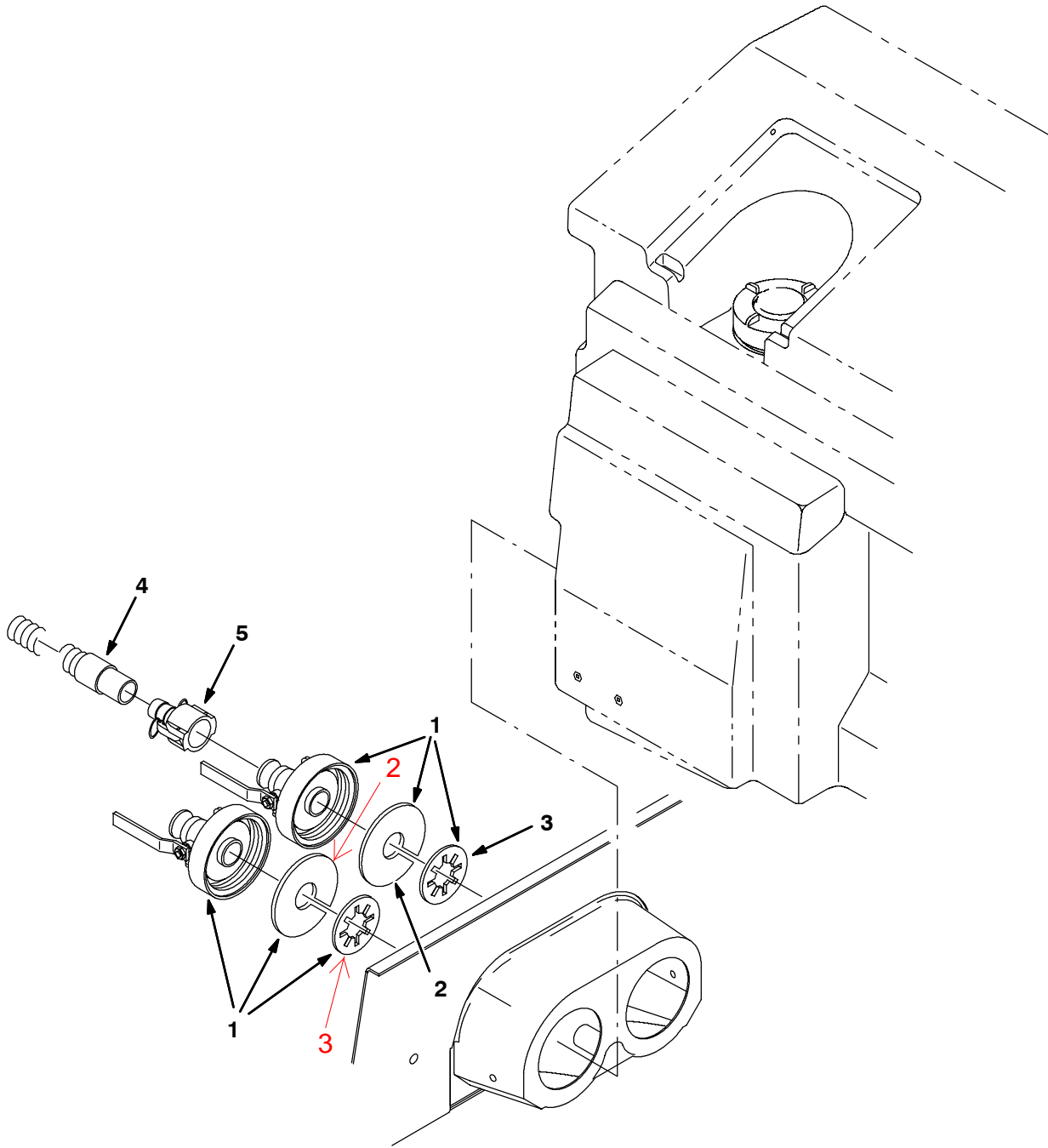
Fig. 20 - Positive Solution Control Drain System Kit Std



11189 - ALL

Ref.	Part No.	Serial Number	Description	Qty.
▽	48742	(000000-	) Pos Sol Control Drain Sys Kits	1
▲▽	1 48739	(000000-	) Cap Assy, Pos Drain	1
▲▲	23456	(000000-	) Cap, Drain	1
▲▲	375014	(000000-	) Kit, Valve Handle	1
▲▲	2 1031700	(000000-	) Gasket, 2.00id 5.38od .19 [Buna]	1
▲▲	3 20932	(000000-	) Washer, Poly	1
▲	4 75635AM	(000000-	) Hose Assy, W/1cuff, 1.5d 120l 1.5/	1
▲	5 48734	(000000-	) Coupler, Female X Hose Shank	1

**Fig. 21 - Positive Solution Control Drain System Kit ES**

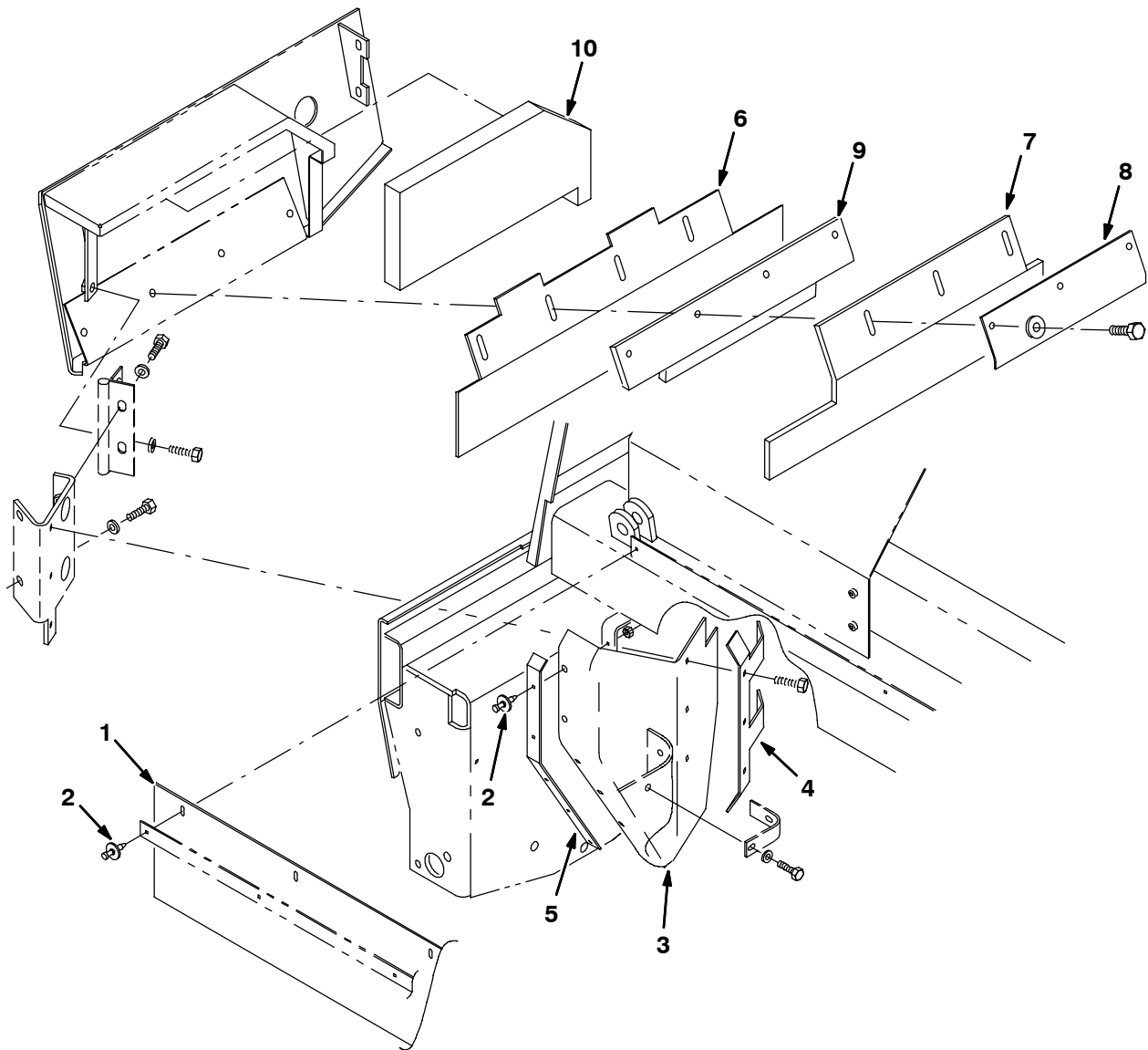


11191 - ALL

Ref.	Part No.	Serial Number	Description	Qty.
▽	48743	(000000-	) Pos Sol Ctrl Drain Sys Kit Es	1
▲▽	1 48739	(000000-	) Cap Assy, Pos Drain	2
▲▲	23456	(000000-	) Cap, Drain	1
▲▲	375014	(000000-	) Kit, Valve Handle	1
▲▲	2 1031700	(000000-	) Gasket, 2.00id 5.38od .19 [Buna]	<del>1</del> 2
▲▲	3 20932	(000000-	) Washer, Poly	<del>1</del> 2
▲	4 75635AM	(000000-	) Hose Assy, W/1cuff, 1.5d 120l 1.5/	1
▲	5 48734	(000000-	) Coupler, Female X Hose Shank	1



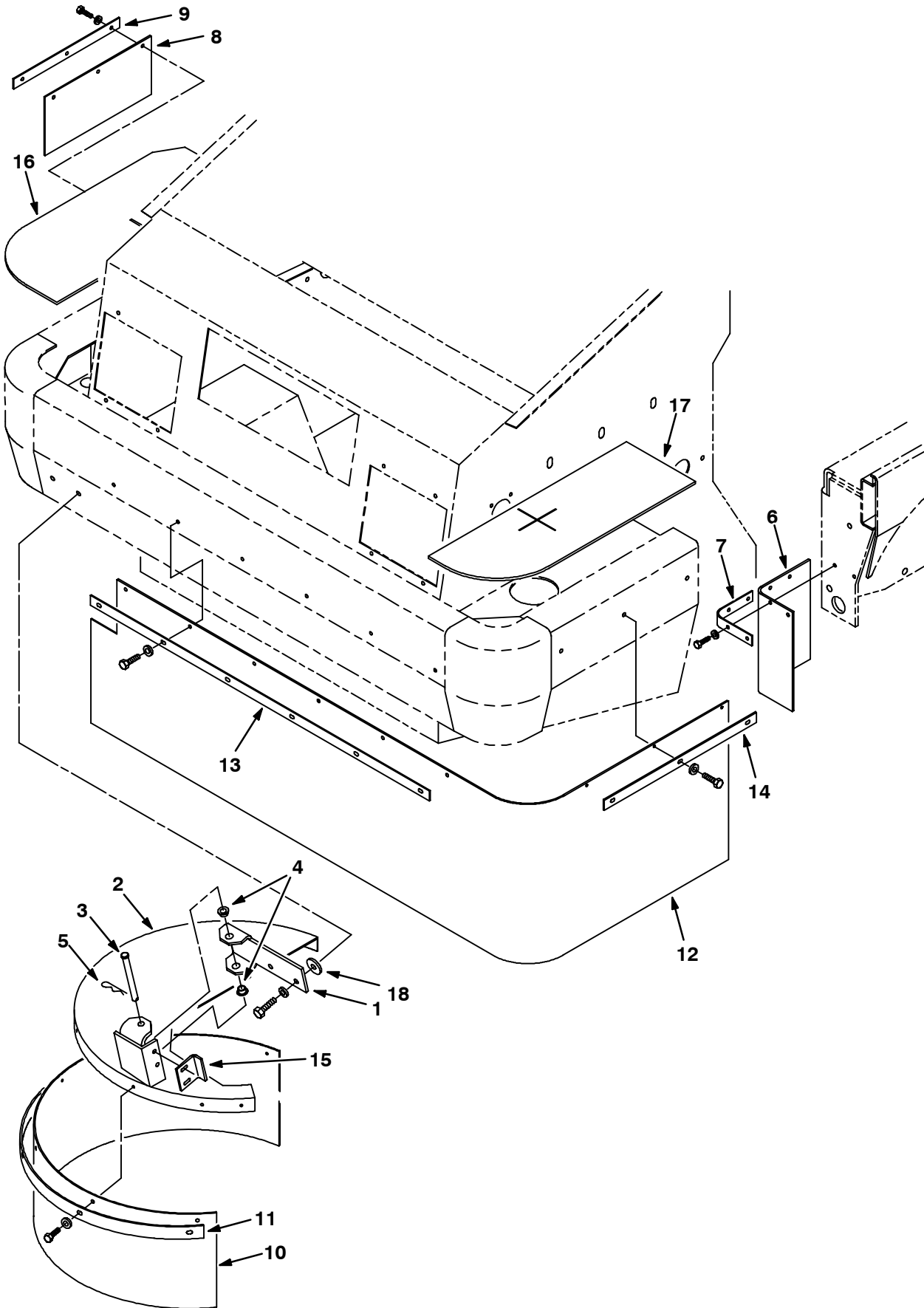
Fig. 22 - Vacuumized Skirt Kit, Main Brush



10193 - ALL

Ref.	Part No.	Serial Number	Description	Qty.
▽	70229	(000000-	) Vacuumized Skirt Kit, Main Bru	1
▲	1 56872	(000000-	) Skirt, Hopper, Top	1
▲	2 72968	(000000-	) Rivet, Plastic .250x.898	15
▲	3 70230	(000000-	) Skirt, Deflection, Vac Kit	2
▲	4 70227	(000000-	) Strap, Deflector, Rh	1
▲	70228	(000000-	) Strap, Deflector, Lh (Not Shown)	1
▲	5 56914	(000000-	) Strap	2
▲	6 70222	(000000-	) Skirt, Brush Door, Outer	2
▲	7 70223	(000000-	) Skirt, Brush Door, Inner	2
▲	8 70224	(000000-	) Strip, Retainer	2
▲	9 374568	(000000-	) Angle, Filler Plate	2
▲	10 70226	(000000-	) Seal, Foam, Door	2

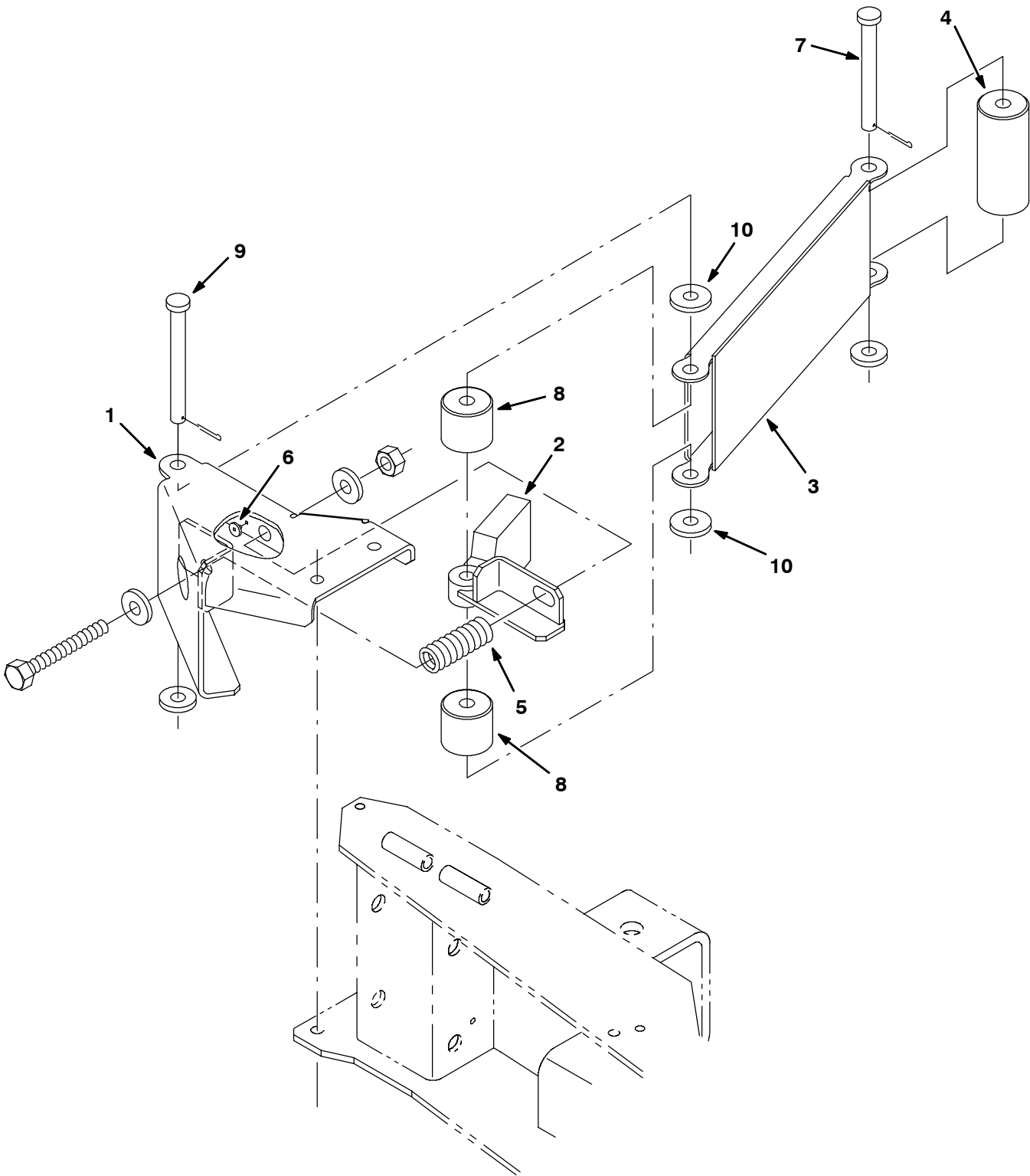
Fig. 23 - Side Brush Dust Control Kit



**Fig. 23 - Side Brush Dust Control Kit**

	<b>Ref.</b>	<b>Part No.</b>	<b>Serial Number</b>	<b>Description</b>	<b>Qty.</b>
▽		78904	(000000-	) Dust Cont Kit S Br 8400	1
▲	1	74383	(000000-	) Bracket, Sbdc	1
▲	2	74375	(000000-	) Cover, Sbdc	1
▲	3	51538	(000000-	) Pin,Clevis,0.50 Dia.X 5.00 Lg	1
▲	4	23274	(000000-	) Bshg,Flange,0.50Bx0.62Odx0.40L	2
▲	5	44906	(000000-	) Pin,Hair Cotter #Lhcot-2,Leitk	1
▲	6	66176	(000000-	) Skirt, Wheel Pocket, Sbdc	2
▲	7	66177	(000000-	) Plate, Retainer, Wheel Pocket	2
▲	8	53576	(000000-	) Skirt, Sbdc, Rh	1
▲	9	53610	(000000-	) Plate, Retainer, Sbdc, Rh	1
▲	10	66178	(000000-	) Skirt, Cover, Sbdc	1
▲	11	66179	(000000-	) Plate, Retainer, Cover, Sbdc	1
▲	12	74379	(000000-	) Skirt, Front, Sbdc	1
▲	13	74380	(000000-	) Plate, Reainer, Front, Sbdc	1
▲	14	74381	(000000-	) Plate, Retainer, Front,Lh Sbdc	1
▲	15	74382	(000000-	) Angle, Stop	1
▲	16	72086	(000000-	) Foam, Sbdc, Rh	1
▲	17	72087	(000000-	) Foam, Sbdc, Lh	1
▲	18	35843	(000000-	) Washer, .530B 1.50D .19Hr	2

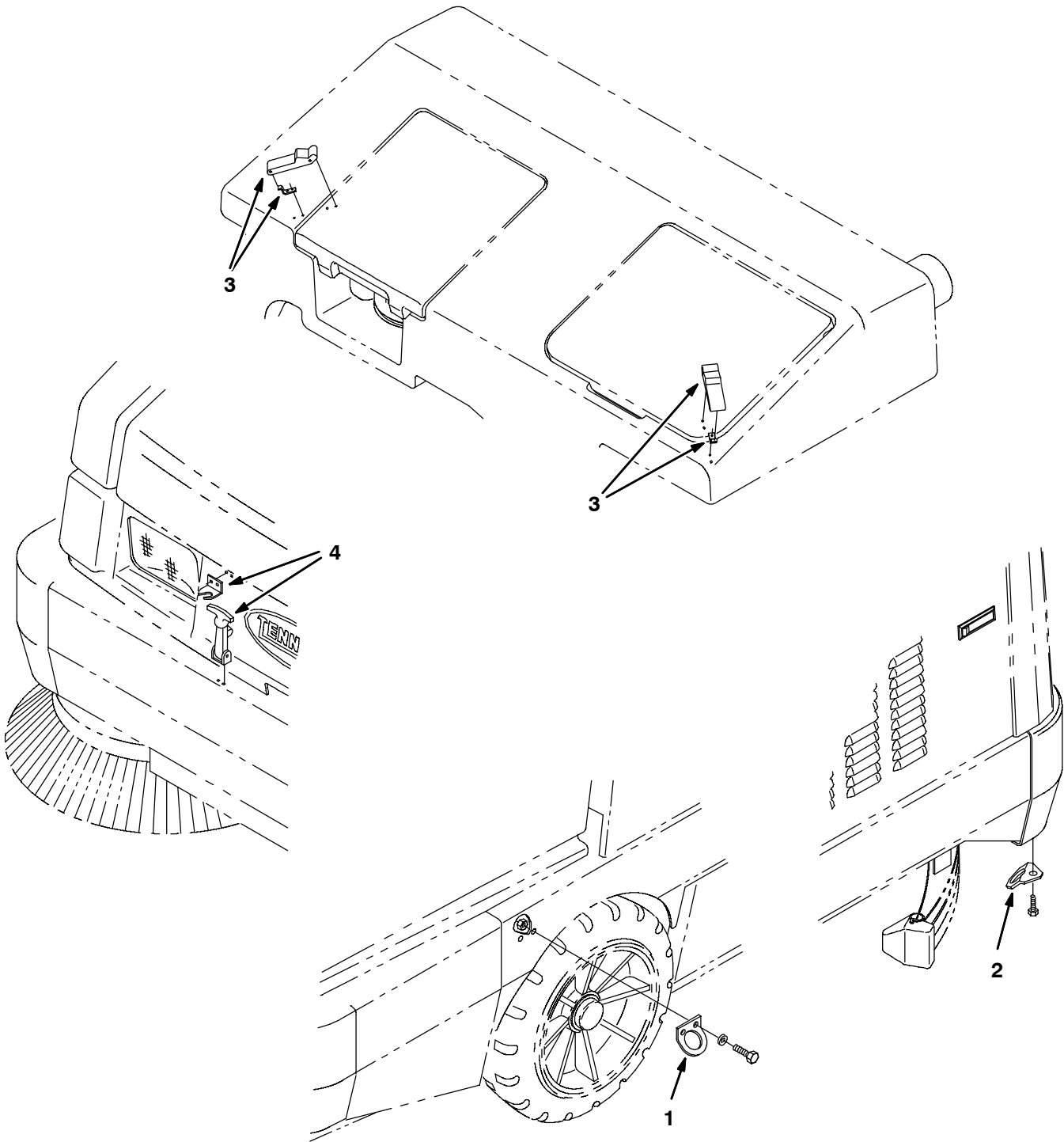
Fig. 24 - Right Hand Side Squeegee Guard Kit



**Fig. 24 - Right Hand Side Squeegee Guard Kit**

	<b>Ref.</b>	<b>Part No.</b>	<b>Serial Number</b>	<b>Description</b>	<b>Qty.</b>
▽		10562	(000000-	) Side Squeegee Se Kit	1
▲	1	10550	(000000-	) Channel Wldt	1
▲	2	10557	(000000-	) Arm Wldt	1
▲	3	10560	(000000-	) Tube Wldt	1
▲	4	10561	(000000-	) Roller	1
▲	5	45261	(000000-	) Sprng,Comp,0.74Idx.11Wire 2.5L	1
▲	6	56855	(000000-	) Bumper,Rbr,W.Knurled Stud	1
▲	7	51538	(000000-	) Pin,Clevis,0.50 Dia.X 5.00 Lg	1
▲	8	72946	(000000-	) Roller 1.75	2
▲	9	51225	(000000-	) Pin,Clevis,0.50 Dia.X 5.50 Lg	1
▲	10	86860	(000000-	) Bearing, Thrust .500	2

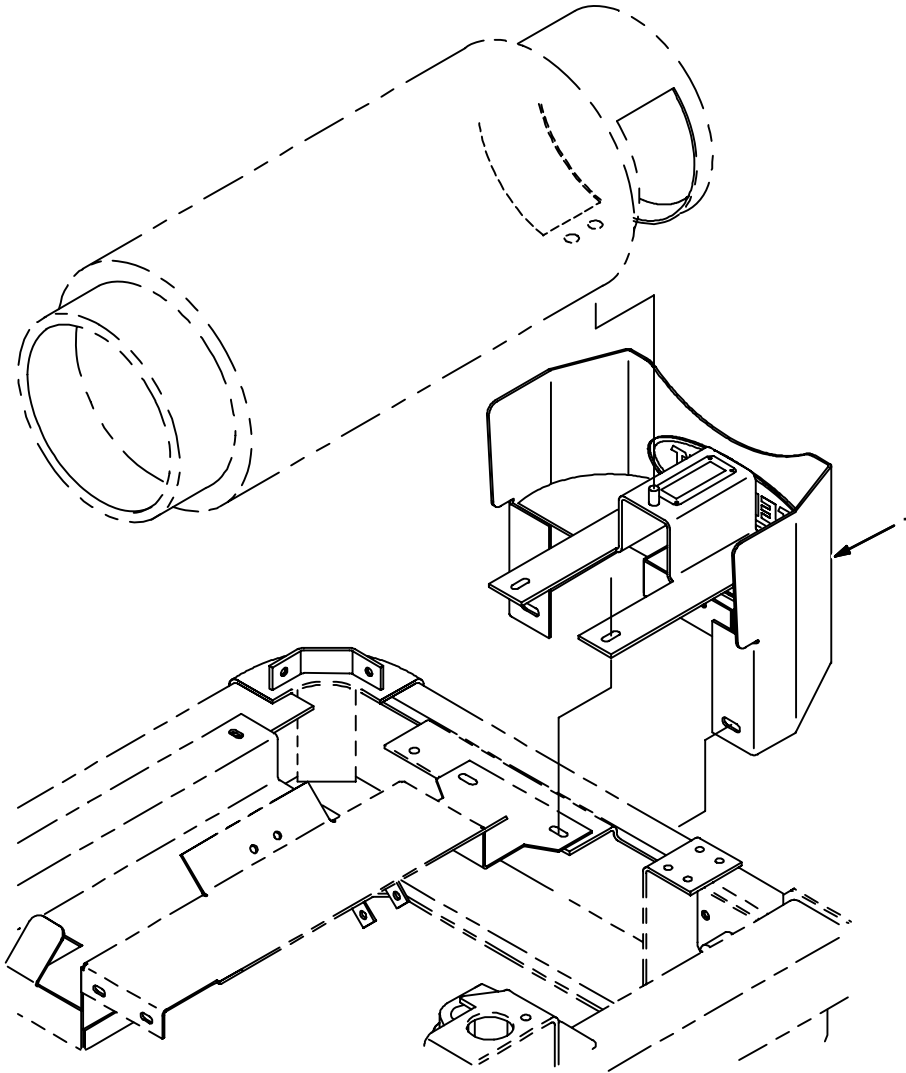
Fig. 25 - Machine Transport Kit



**Fig. 25 - Machine Transport Kit**

<b>Ref.</b>	<b>Part No.</b>	<b>Serial Number</b>	<b>Description</b>	<b>Qty.</b>
1	82196	(000000-	) Bracket,Rear Tiedown	2
2	14983	(000000-	) Bracket Tie Down	2
3	49800	(000000-	) Latch, Elastic	2
4	11636	(000000-	) Latch, Draw, Flexible	1

**Fig. 26 - LPG Tank Mount Kit, 43 lb**

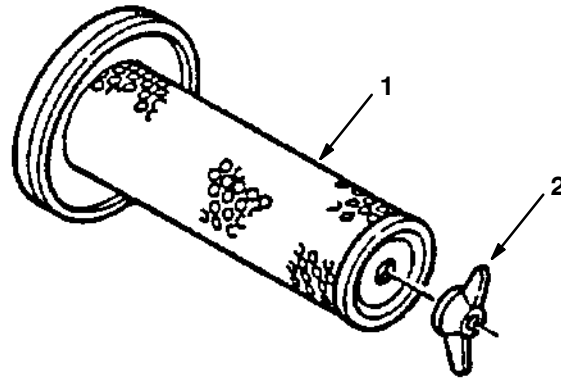


09102 - 8410, LP

Ref.	Part No.	Serial Number	Description	Qty.
▽	78983	(000000-	) Tank Kit, Lpg, 43# 8400/8410	1
▲	1 78942	(000000-	) Bracket Assy, Lpg Tank W/Label	1



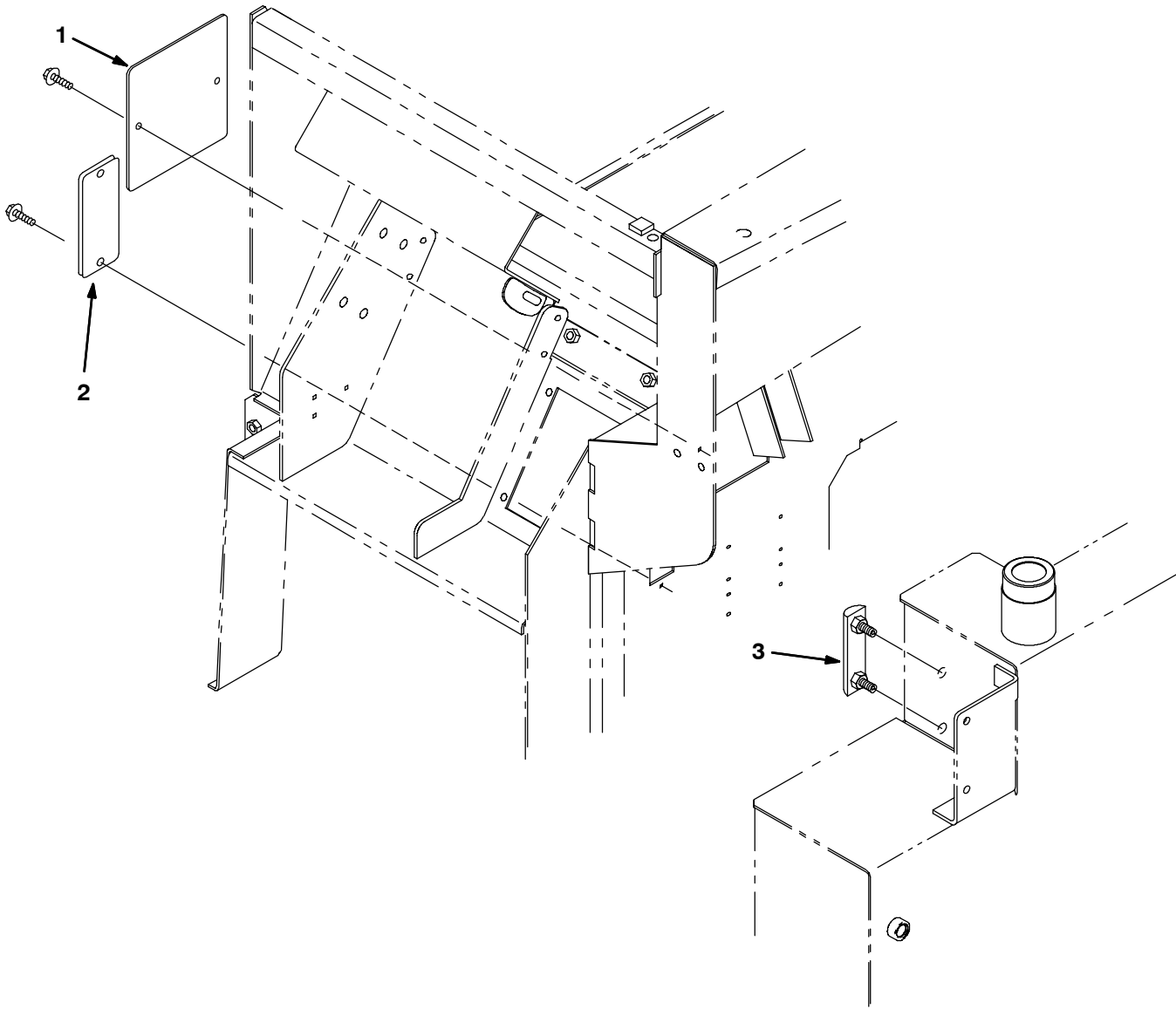
Fig. 27 - Heavy Duty Engine Air Filter Kit



04712 - ALL

Ref.	Part No.	Serial Number	Description	Qty.
▽	07565	(000000-	) Kit, Air Filter, Engine	1
▲	1 58121	(000000-	) Element, Safety	1
▲	2 07562	(000000-	) Wingnut	1

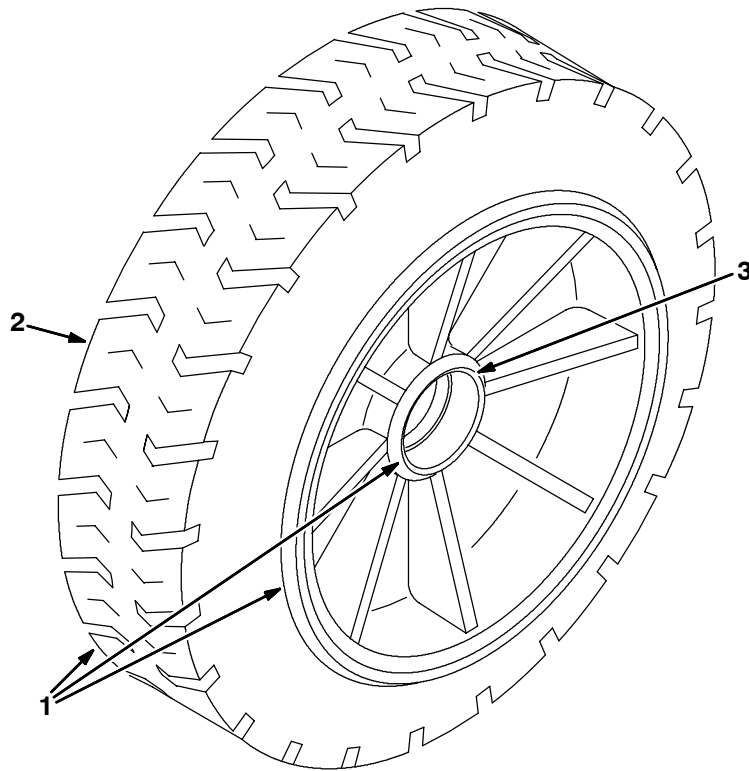
**Fig. 28 - Sight Gauge Kit**



350496 - ALL

Ref.	Part No.	Serial Number	Description	Qty.
	84112	(000000-	) Gage Kit, Hyd Tank	1
1	83822	(000000-	) Cover, Brush Press Linkage	1
2	22746	(000000-	) Pane, Acrylic	1
3	65215	(000000-	) Gauge, Sight Lh	1

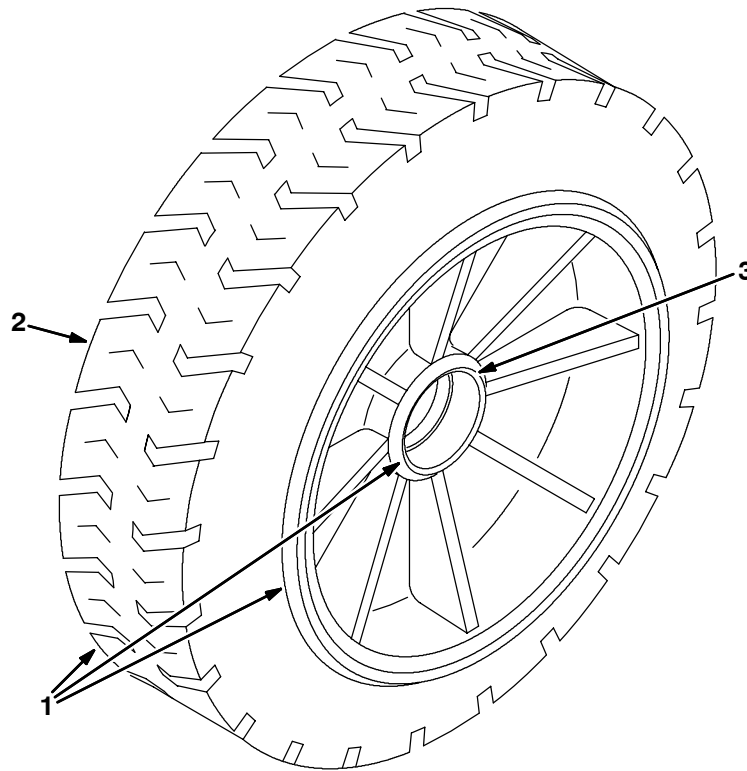
Fig. 29 - Solid Turf Tire and Wheel Assembly



352366 - ALL

	Ref.	Part No.	Serial Number	Description	Qty.
▽	1	374605	(000000-	) Tire & Wheel Assy, Solid Turf 18X7	1
▲	2	374604	(000000-	) Tire, Solid 18X7X12.12 Turf	1
▲	3	51338AM	(000000-	) Bearing, Cup, 2.56Dia 0.55W	2

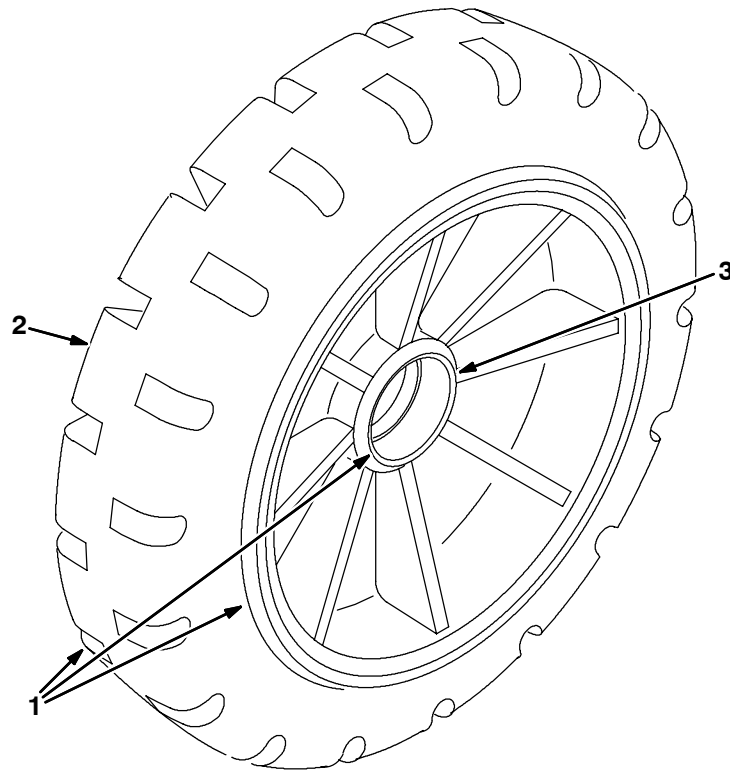
**Fig. 30 - Solid Non Marking Turf Tire and Wheel Assembly**



352366 - ALL

	<b>Ref.</b>	<b>Part No.</b>	<b>Serial Number</b>	<b>Description</b>	<b>Qty.</b>
▽	1	374689	(000000-	) Tire & Wheel Assy, Solid Non Marking Turf 18X7	1
▲	2	374688	(000000-	) Tire, Solid 18X7X12.12 Turf, Non Marking	1
▲	3	51338AM	(000000-	) Bearing, Cup, 2.56Dia 0.55W	2

Fig. 31 - Solid Non Marking Tire and Wheel Assembly



352368 - ALL

	Ref.	Part No.	Serial Number	Description	Qty.
▽	1	374608	(000000-	) Tire & Wheel Assy, Solid Nonmark	1
▲	2	374607	(000000-	) Tire, Solid 18X5X12.12 Nonmark	1
▲	3	51338AM	(000000-	) Bearing, Cup, 2.56Dia 0.55W	2

**Fig. 32 - Documentation Group**

<b>Ref.</b>	<b>Part No.</b>	<b>Serial Number</b>	<b>Description</b>	<b>Qty.</b>
1	MM390	(000000-	) Manual Pkg 8410	1
2	21791	(000000-	) Service Manual, Lrg 423 Fd (2.3L Engine)	1
2	385439	(000000-	) Service Manual, Lrg 425 Fd (2.5L Engine)	1
2	393223	(000000-	) Manual, Eng Service, Gm 3.0 L	1
3	MM392	(000000-	) Service Manual Pkg 8410	1
4	84078	(000000-	) Tape, Video, Operator, 8410	1
5	MM390ES	(000000-	) Operator Manual, Es	1
6	MM390FR	(000000-	) Operator manual, Fr	1
7	330710	(000000-	) Manual, CD-Rom, Oprts&Parts, All (NA)	1

## SECTION 4

Contents	Page
Fig. 1 - Hydraulic Motor Breakdown, 74162 . . . .	4-2
Fig. 2 - Hydraulic Motor Breakdown, 22604 . . . .	4-4
Fig. 3 - Hydraulic Motor Breakdown, 53435 . . . .	4-6
Fig. 4 - Hydraulic Motor Breakdown, 373340 . . .	4-8
Fig. 5 - Hydraulic Motor Breakdown, 73090 . . .	4-10
Fig. 6 - Hydraulic Motor Breakdown, 73098 . . .	4-12
Fig. 7 - Hydraulic Motor Breakdown, 73112 . . .	4-13
Fig. 8 - Hydraulic Motor Breakdown, 84009 . . .	4-14
Fig. 9 - Hydraulic Motor Breakdown, 74468 . . .	4-15
Fig. 10 - Hydraulic Steering Valve Breakdown, 73093 . . . . .	4-16
Fig. 11 - Hydraulic Piston Pump Breakdown, 373486 . . . . .	4-18
Fig. 12 - Hydraulic Pump Breakdown, 73101 . . .	4-20
Fig. 13 - Hydraulic Pump Breakdown, 73102 . . .	4-22
Fig. 14 - Hydraulic Pump Breakdown, 79770 . . .	4-24
Fig. 15 - Hydraulic Piston Pump Breakdown, 373485 . . . . .	4-26
Fig. 16 - Hydraulic Solenoid Valve Breakdown, 84011 . . . . .	4-28
Fig. 17 - Hydraulic Solenoid Valve Breakdown, 84012 . . . . .	4-30
Fig. 18 - Hydraulic Solenoid Valve Breakdown, 84010 . . . . .	4-32
Fig. 19 - Hydraulic Solenoid Valve Breakdown, 1032232 . . . . .	4-34
Fig. 20 - Extended Scrub Pump Breakdown, 379001 . . . . .	4-36
Fig. 21 - Extended Scrub Pump Breakdown, 20891 . . . . .	4-38
Fig. 22 - Extended Scrub Pump Breakdown, 1021210 . . . . .	4-40
Fig. 23 - Hydraulic Flow Sensor Switch Breakdown, 73430 . . . . .	4-42
Fig. 24 - Metering Solution Pump Breakdown, 73260 . . . . .	4-43
Fig. 25 - LPG EFI Breakdown, 371894 . . . . .	4-44
Fig. 26 - LPG EFI Breakdown, 371895 . . . . .	4-46
Fig. 27 - Gasoline EFI Breakdown, 371896 . . . .	4-48
Fig. 28 - Gasoline EFI Breakdown, 371897 . . . .	4-50

**Fig. 1 - Hydraulic Motor Breakdown, 74162**

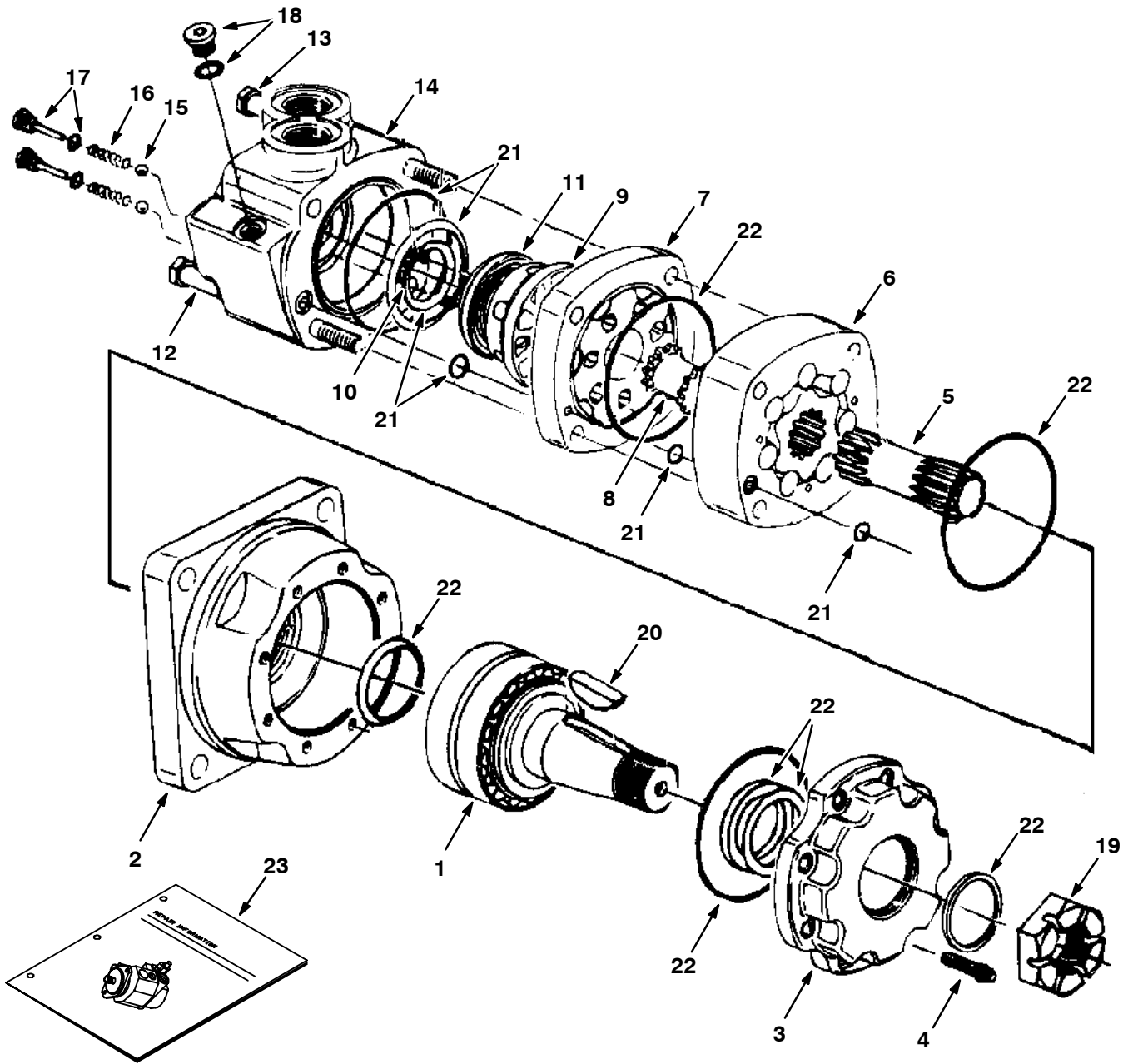




Fig. 1 - Hydraulic Motor Breakdown, 74162

Ref.	Part No.	Serial Number	Description	Qty.
▽	74162	(000000-	) Motor, Hyd Gear In 19.0	1
▲	1 74165	(000000-	) Shaft, Assy Cl	1
▲	2 74166	(000000-	) Housing, Brg Cl	1
▲	3 74167	(000000-	) Retainer, Frt Cl	1
▲	4 74168	(000000-	) Screw, Cap Cl	8
▲	5 37616	(000000-	) Drive	1
▲	6 37756	(000000-	) Geroler	1
▲	7 74122	(000000-	) Plate, Valve	1
▲	8 52405	(000000-	) Valve	1
▲	9 74123	(000000-	) Valve Cl	1
▲	10 34178	(000000-	) Spring	2
▲	11 38968	(000000-	) Ring	1
▲	12 74125	(000000-	) Bolt Cl	3
▲	13 38255	(000000-	) Bolt	1
▲	14 74171	(000000-	) Housing, Assy Cl	1
▲	15 37766	(000000-	) Ball	2
▲	16 34179	(000000-	) Spring	2
▲	17 74137	(000000-	) Plug Assembly Cl	2
▲	18 74098	(000000-	) Plug Assembly Ph	1
▲	19 45622	(000000-	) Nut	1
▲	20 45623	(000000-	) Key	1
▲	21 33580	(000000-	) Seal Kit, Rear	1
▲	22 79828	(000000-	) Seal Kit, Shaft Cl	1
	23 74249	(000000-	) Repair Info. Cl	1

Fig. 2 - Hydraulic Motor Breakdown, 22604

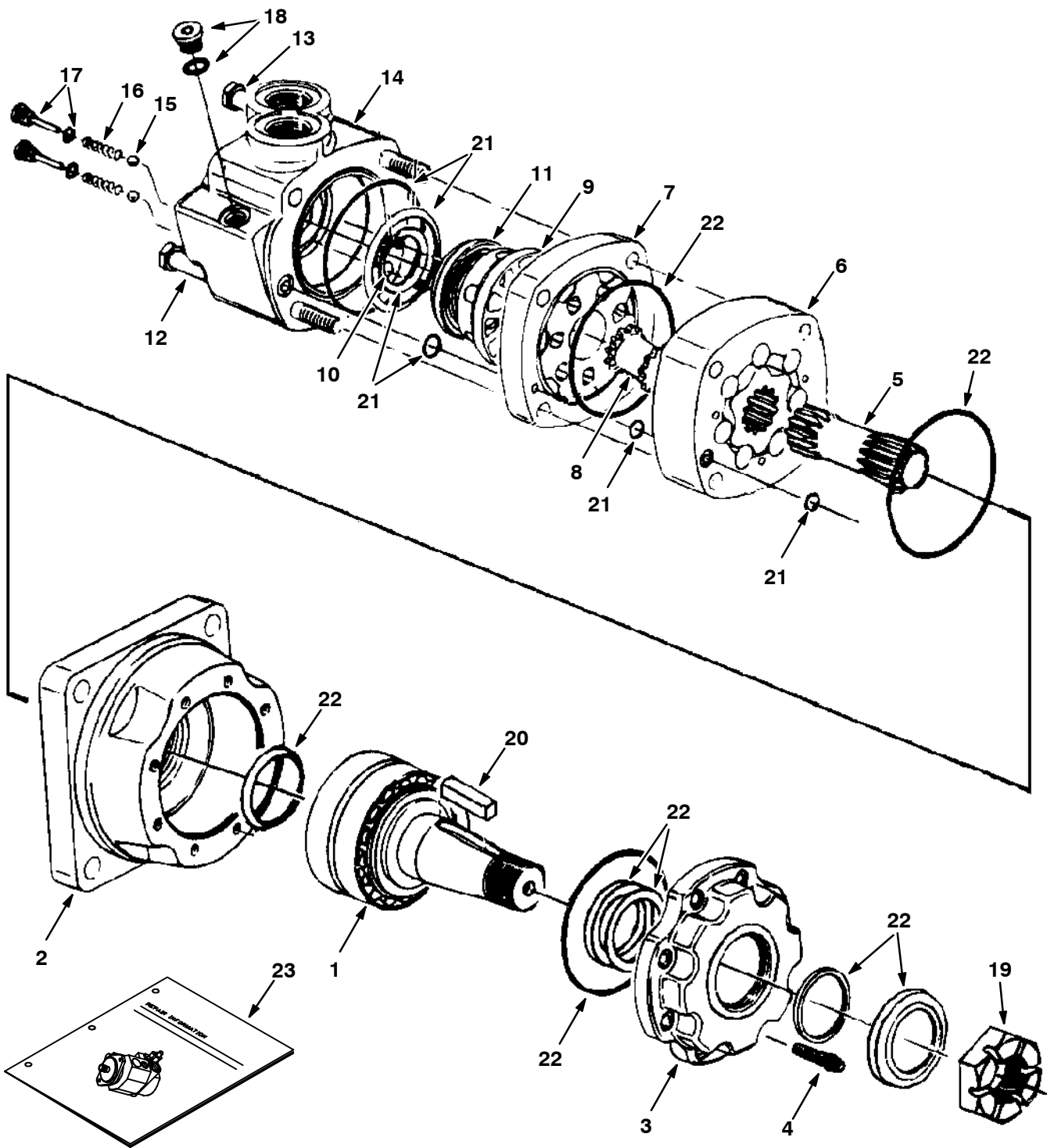


Fig. 2 - Hydraulic Motor Breakdown, 22604

	Ref.	Part No.	Serial Number	Description	Qty.
▽		22604	(000000-	) Motor, Hyd Gear	1
▲	1	74165	(000000-	) Shaft S/A	1
▲	2	74166	(000000-	) Housing, Brg	1
▲	3	74167	(000000-	) Retainer, Frt	1
▲	4	74168	(000000-	) Screw, Cap	8
▲	5	37616	(000000-	) Drive	1
▲	6	37756	(000000-	) Geroler	1
▲	7	74122	(000000-	) Plate, Valve	1
▲	8	52405	(000000-	) Valve	1
▲	9	74123	(000000-	) Valve	1
▲	10	34178	(000000-	) Spring	2
▲	11	38968	(000000-	) Ring	1
▲	12	74125	(000000-	) Bolt	3
▲	13	38255	(000000-	) Bolt	1
▲	14	74171	(000000-	) Housing Assy,	1
▲	15	37766	(000000-	) Ball	2
▲	16	34179	(000000-	) Spring	2
▲	17	74137	(000000-	) Plug Assembly	2
▲	18	74098	(000000-	) Plug #4	1
▲	19	45622	(000000-	) Nut	1
▲	20	45623	(000000-	) Key	1
▲	21	33580	(000000-	) Seal Kit, Rear	1
▲	22	79828	(000000-	) Seal Kit, Shaft	1
▲	23	74249	(000000-	) Instr. Repair Info, Motor	1

**Fig. 3 - Hydraulic Motor Breakdown, 53435**

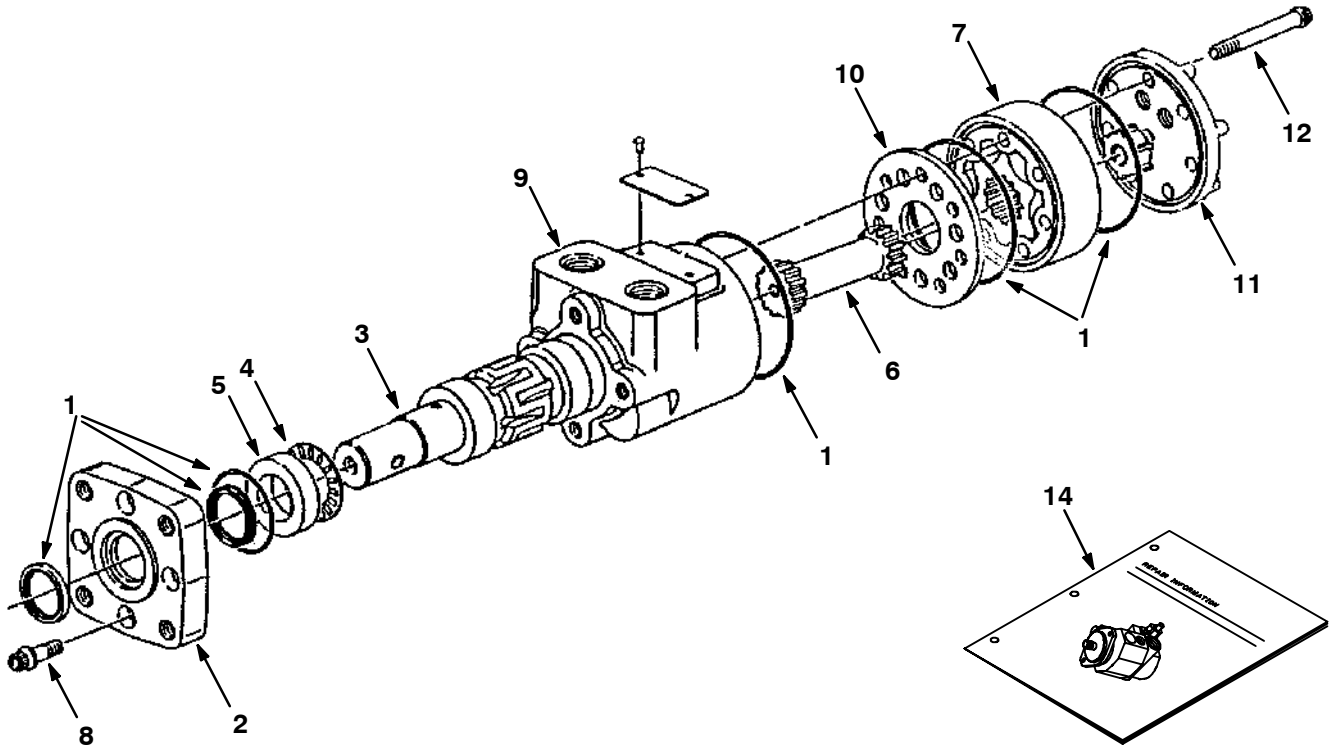


Fig. 3 - Hydraulic Motor Breakdown, 53435

	Ref.	Part No.	Serial Number	Description	Qty.
▽		53435	(000000-	) Motor, Hydraulic	1
▲	1	61490	(000000-	) Seal Kit	1
▲	2	31354	(000000-	) Flange, Mounting	1
▲	3	31373	(000000-	) Output Shaft	1
▲	4	45628	(000000-	) Bearing Thrust	1
▲	5	16695	(000000-	) Race, Thrust	1
▲	6	31377	(000000-	) Drive	1
▲	7	31384	(000000-	) Gerotor Set	1
▲	8	37555	(000000-	) Screw	4
▲	9	74100	(000000-	) Housing	1
▲	10	74094	(000000-	) Spacer Plate	1
▲	11	74101	(000000-	) End Cap	1
▲	12	22622	(000000-	) Screw, Cap	5
	13	74250	(000000-	) Repair Info.	1

**Fig. 4 - Hydraulic Motor Breakdown, 373340**

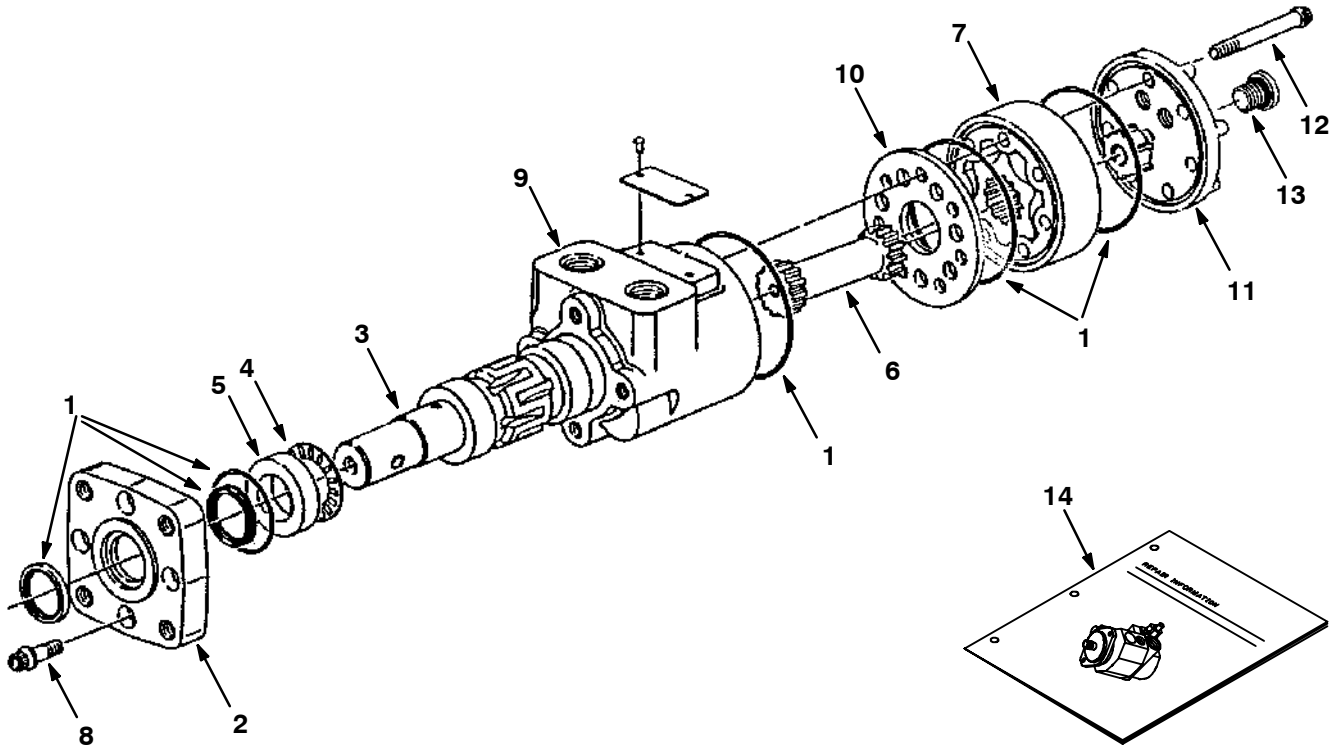


Fig. 4 - Hydraulic Motor Breakdown, 373340

	Ref.	Part No.	Serial Number	Description	Qty.
▽		373340	(000000-	) Motor, Hydraulic	1
▲	1	22654	(000000-	) Seal Kit	1
▲	2	31354	(000000-	) Flange, Mounting	1
▲	3	31373	(000000-	) Output Shaft	1
▲	4	45628	(000000-	) Bearing Thrust	1
▲	5	16695	(000000-	) Race, Thrust	1
▲	6	31377	(000000-	) Drive	1
▲	7	31384	(000000-	) Gerotor Set	1
▲	8	37555	(000000-	) Screw	4
▲	9	74100	(000000-	) Housing	1
▲	10	74094	(000000-	) Spacer Plate	1
▲	11	74101	(000000-	) End Cap	1
▲	12	22622	(000000-	) Screw, Cap	5
▲	13	74098	(000000-	) Plug	1
	14	74250	(000000-	) Repair Info.	1

**Fig. 5 - Hydraulic Motor Breakdown, 73090**

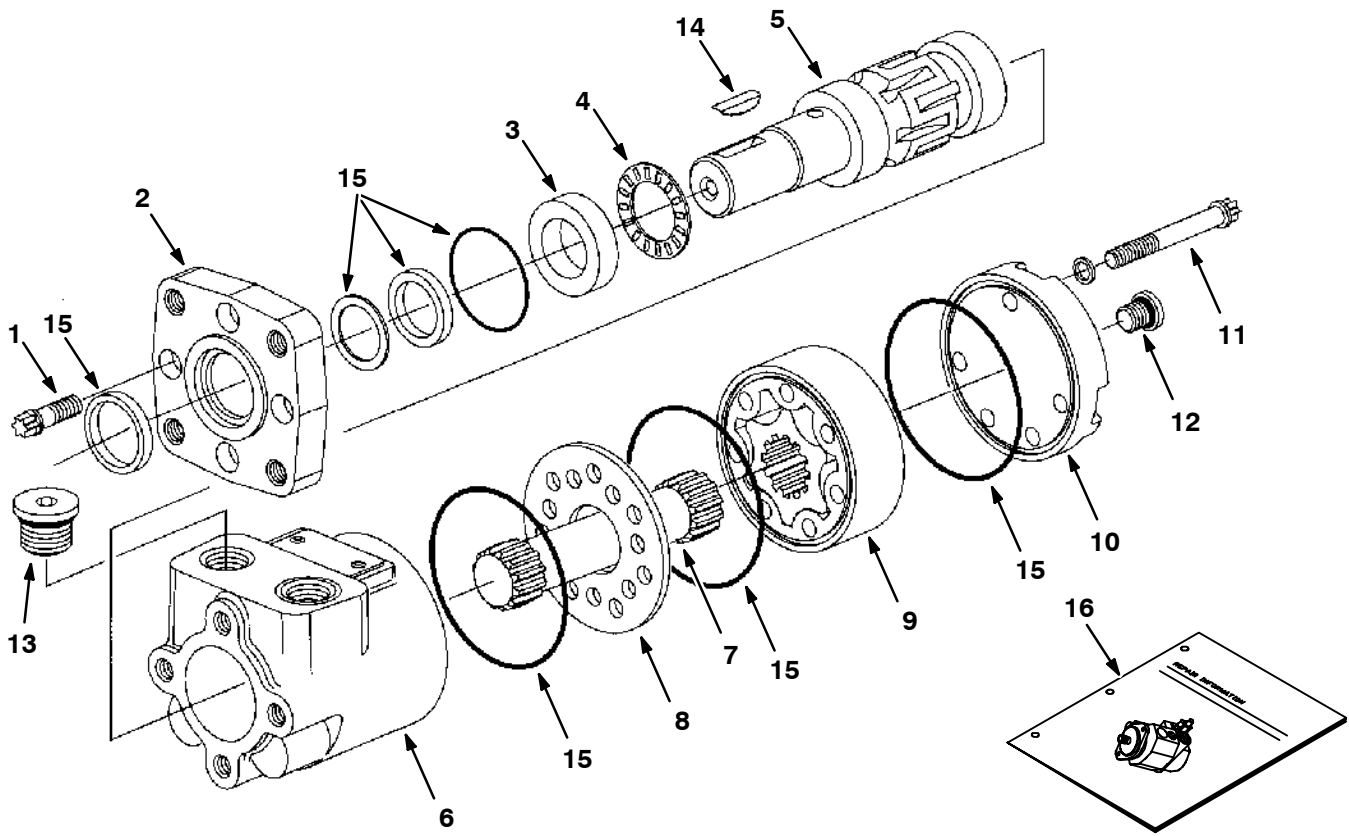
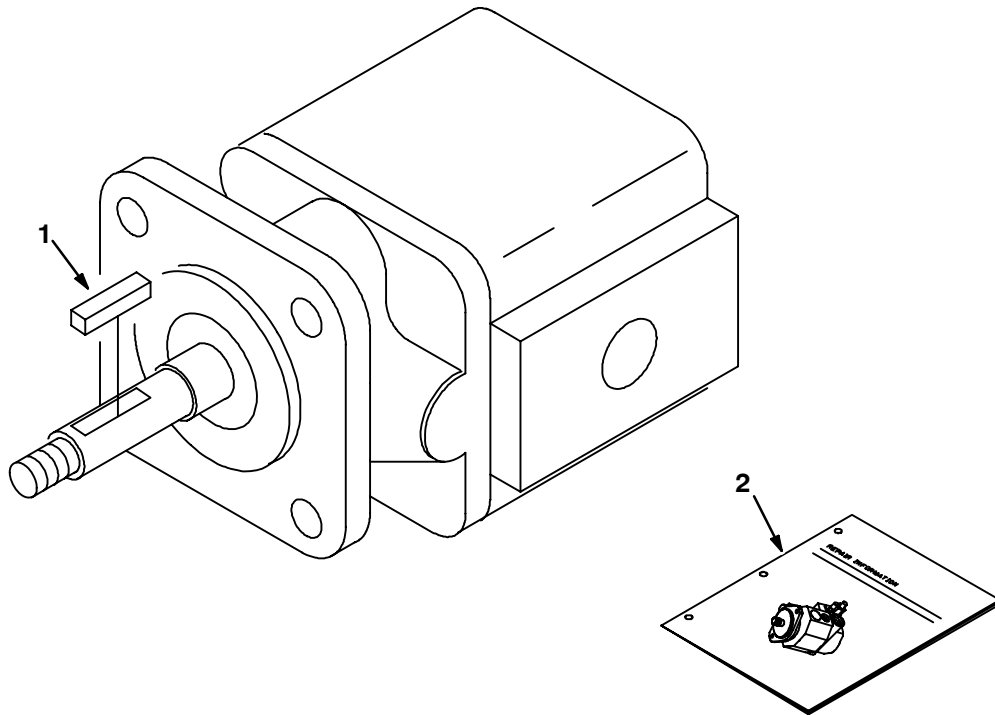




Fig. 5 - Hydraulic Motor Breakdown, 73090

Ref.	Part No.	Serial Number	Description	Qty.
▽	73090	(000000-	) Motor, Hyd Gear in 07.3 B 1500	1
▲	1 37555	(000000-	) Cap, Screw	4
▲	2 31354	(000000-	) Flange Mounting	1
▲	3 16695	(000000-	) Race Thrust	1
▲	4 45628	(000000-	) Thrust Bearing	1
▲	5 28854	(000000-	) Shaft, Output	1
▲	6 74100	(000000-	) Housing Cl	1
▲	7 74175	(000000-	) Drive Cl	1
▲	8 74094	(000000-	) Spacer Plate Cl	1
▲	9 74177	(000000-	) Gerotor Assy Cl	1
▲	10 74095	(000000-	) End Cap Cl	1
▲	11 74178	(000000-	) Screw Cap Cl	5
▲	12 74098	(000000-	) Plug Assembly Ph	1
▲	13 74099	(000000-	) Plug Assembly Ph	2
▲	14 00500-15	(000000-	) Key-Wdruff 0.25 1.00 Asa#0808	1
▲	15 61490	(000000-	) Seal Replmt Kit	1
	16 74250	(000000-	) Repair Info. Cl	1

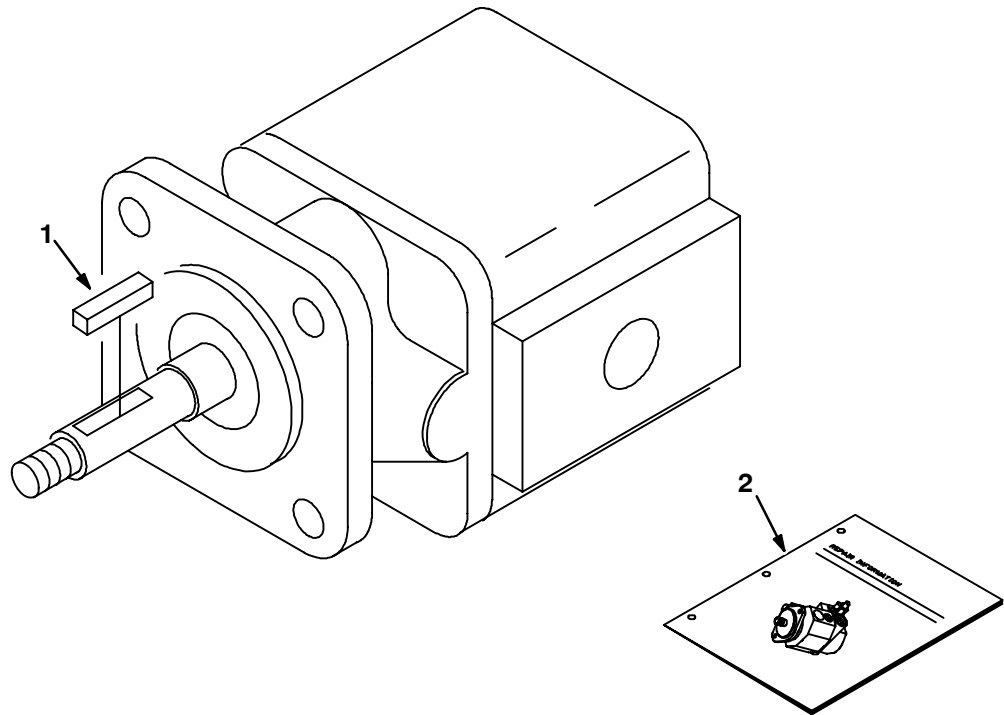
**Fig. 6 - Hydraulic Motor Breakdown, 73098**



09664-09670 - ALL

	<b>Ref.</b>	<b>Part No.</b>	<b>Serial Number</b>	<b>Description</b>	<b>Qty.</b>
▽		73098	(000000-	) Motor, Hyd Gear Ex 0.26 R 3000	1
▲	1	00960	(000000-	) Key Square 0.12 0.12 00.50 Lg	1
▲		74233	(000000-	) Seal Kit, Hyd Mtr Gear Bn	1
	2	IB3614	(000000-	) Repair Info.	1

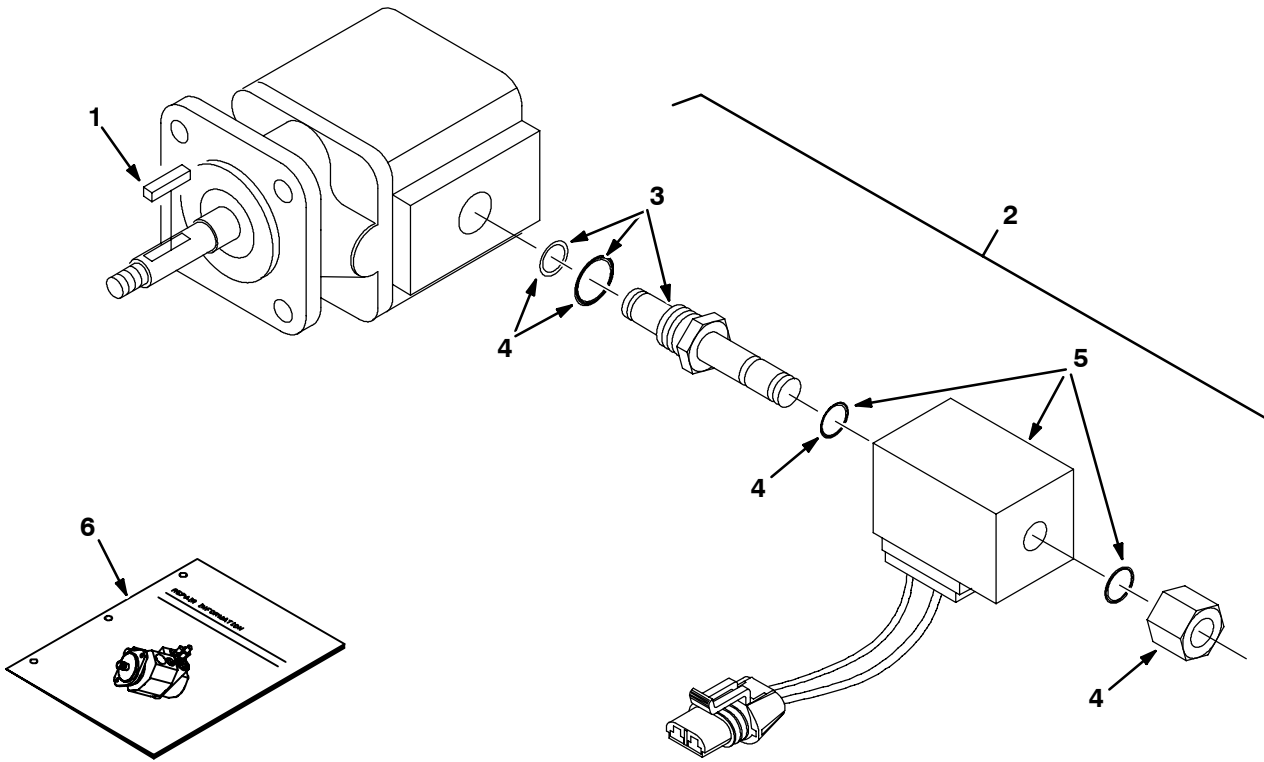
**Fig. 7 - Hydraulic Motor Breakdown, 73112**



09664-09670 - ALL

Ref.	Part No.	Serial Number	Description	Qty.
▽	73112	(000000-	) Motor, Hyd Gear Ex 0.13 L 3000	1
▲	1 00954	(000000-	) Key Square 0.12 0.12 01.00 Lg	1
▲	74233	(000000-	) Seal Kit, Hyd Mtr Gear Bn	1
	2 IB3614	(000000-	) Repair Info.	1

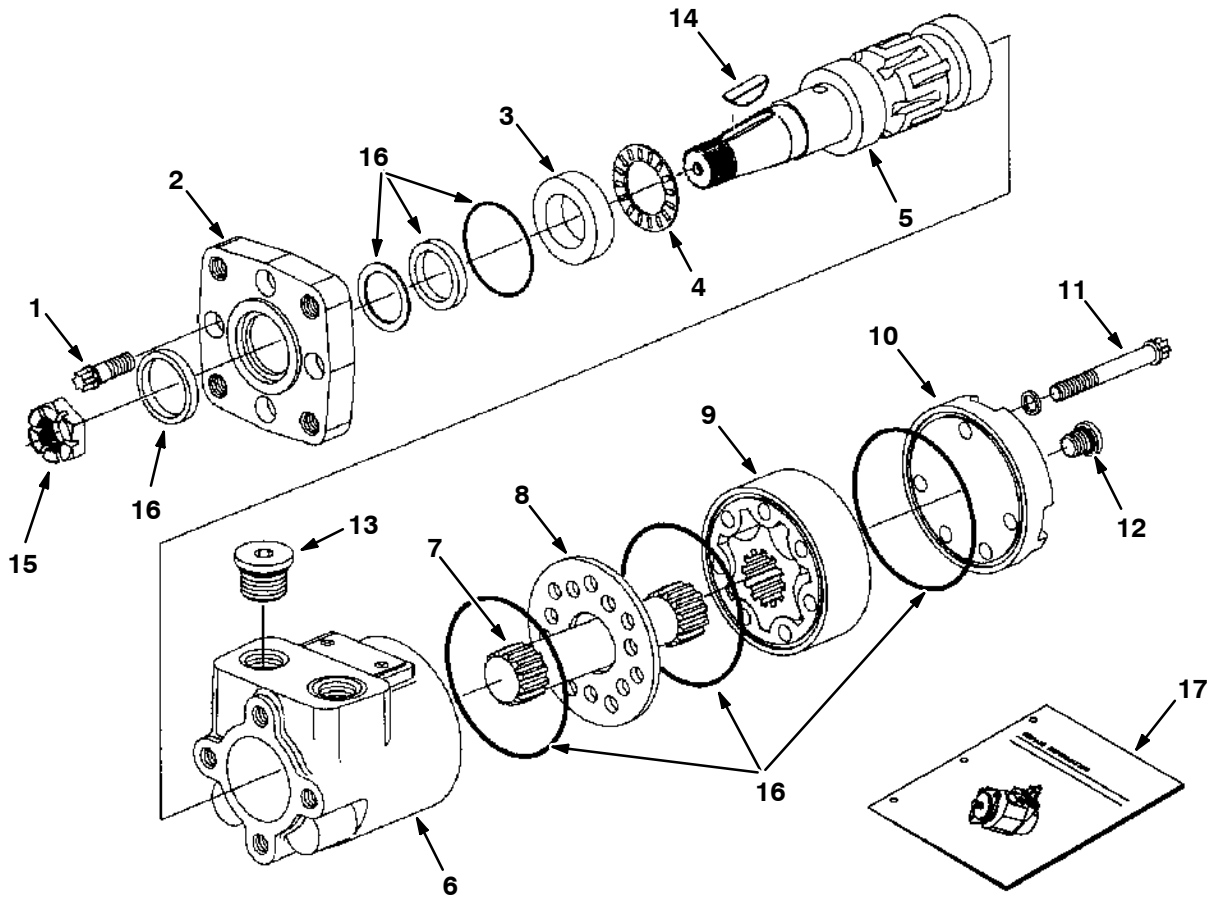
**Fig. 8 - Hydraulic Motor Breakdown, 84009**



11085-09670 - ALL

Ref.	Part No.	Serial Number	Description	Qty.
▽	84009	(000000-	) Motor, Hydraulic	1
▲	74233	(000000-	) Seal Kit, Motor	1
▲	1 00966	(000000-	) Key	1
▲▽	2 84008	(000000-	) Valve Assembly, Solenoid	1
▲▲	3 59378	(000000-	) Cartridge, Solenoid Valve	1
▲▲	4 48813	(000000-	) Seal Kit, One Cartridge	1
▲▲	5 21916	(000000-	) Coil	1
	6 IB3614	(000000-	) Repair Info.	1

**Fig. 9 - Hydraulic Motor Breakdown, 74468**



09606-09670 - ALL

Ref.	Part No.	Serial Number	Description	Qty.	
▽	74468	(000000-	) Motor, Hyd Gear In 02.8 B 1500	1	
▲	1	37555	(000000-	) Cap, Screw	4
▲	2	31354	(000000-	) Flange Mounting	1
▲	3	16695	(000000-	) Race Thrust	1
▲	4	45628	(000000-	) Thrust Bearing	1
▲	5	31375	(000000-	) Shaft, Output	1
▲	6	74100	(000000-	) Housing Cl	1
▲	7	34176	(000000-	) Drive	1
▲	8	74094	(000000-	) Spacer Plate Cl	1
▲	9	31381	(000000-	) Gerotor Set	1
▲	10	74095	(000000-	) End, Cap	1
▲	11	74174	(000000-	) Cap, Screw Cl	5
▲	12	74098	(000000-	) Plug Assembly Ph	1
▲	13	74099	(000000-	) Plug Assembly Ph	2
▲	14	00500-15	(000000-	) Key-Wdruff 0.25 1.00 Asa#0808	1
▲	15	39527	(000000-	) Nut-Hxslot .75-16 Pltd	1
▲	16	61490	(000000-	) Seal Replmt Kit	1
	17	74250	(000000-	) Repair Info. Cl	1



Fig. 10 - Hydraulic Steering Valve Breakdown, 73093

	Ref.	Part No.	Serial Number	Description	Qty.
▽		73093	(000000-	) Steer Control, NYD#2 06.1 1000	1
▲	1	74183	(000000-	) Screw, Cap Cl	7
▲	2	74185	(000000-	) Cap, End Cl	1
▲	3	74192	(000000-	) Gerotor S/A Cl	1
▲	4	74193	(000000-	) Spacer Cl	1
▲	5	74222	(000000-	) Plate, Wear Cl	1
▲	6	74231	(000000-	) Drive Cl	1
▲	7	74232	(000000-	) Pin Cl	1
▲	8	74234	(000000-	) Race, Bearing Cl	2
▲	9	74236	(000000-	) Bearing Cl	1
▲	10	74241	(000000-	) Plug Assy Cl	1
▲	11	74242	(000000-	) Ball Cl	1
▲	12	74243	(000000-	) Ring, Retaining Cl	1
▲	13	74196	(000000-	) Spring Kit, Scu Cl	1
▲	14	74244	(000000-	) Seal Kit, Stg Cl	1
	15	74245	(000000-	) Repair Info Cl	1

**Fig. 11 - Hydraulic Piston Pump Breakdown, 373486**

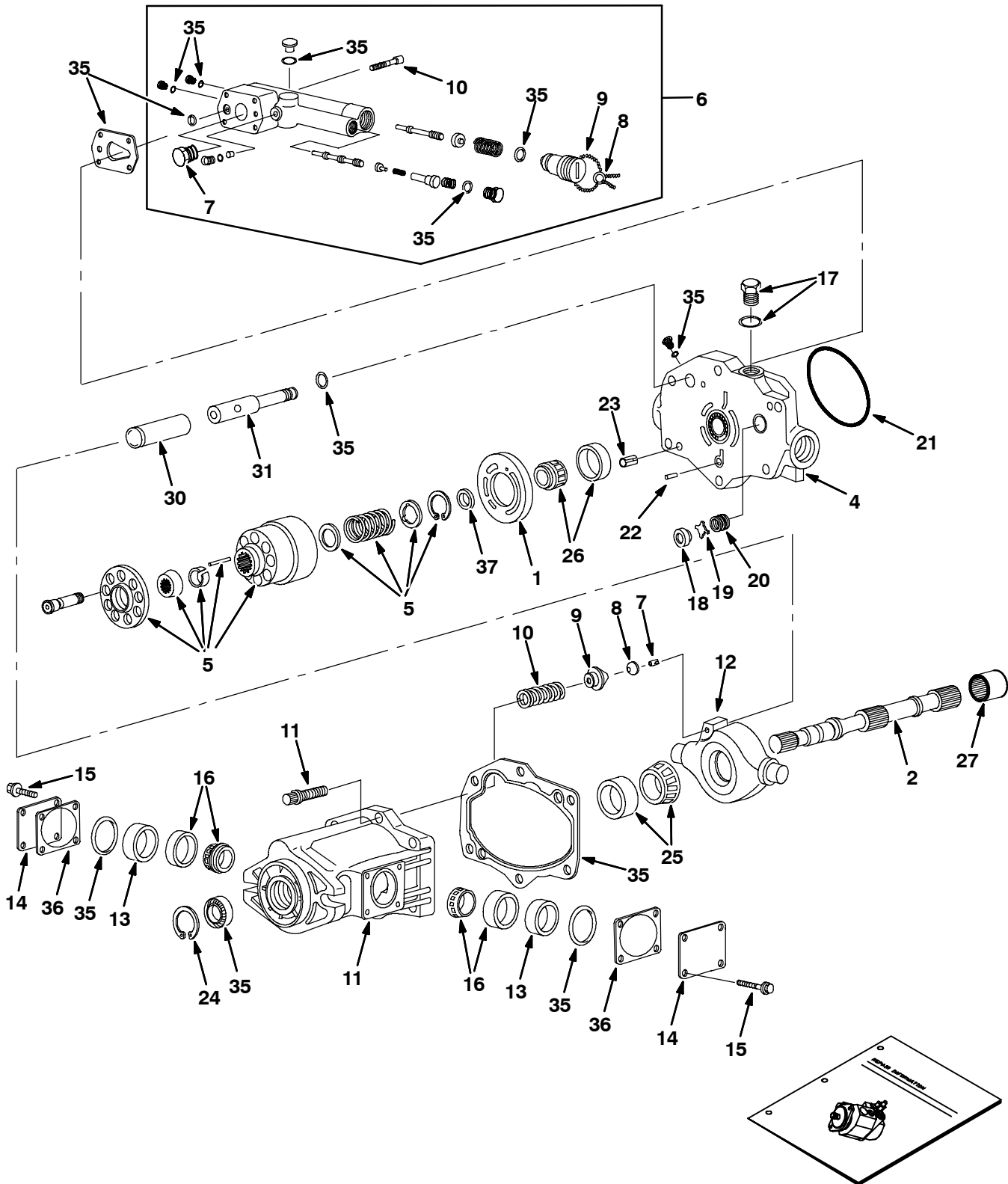
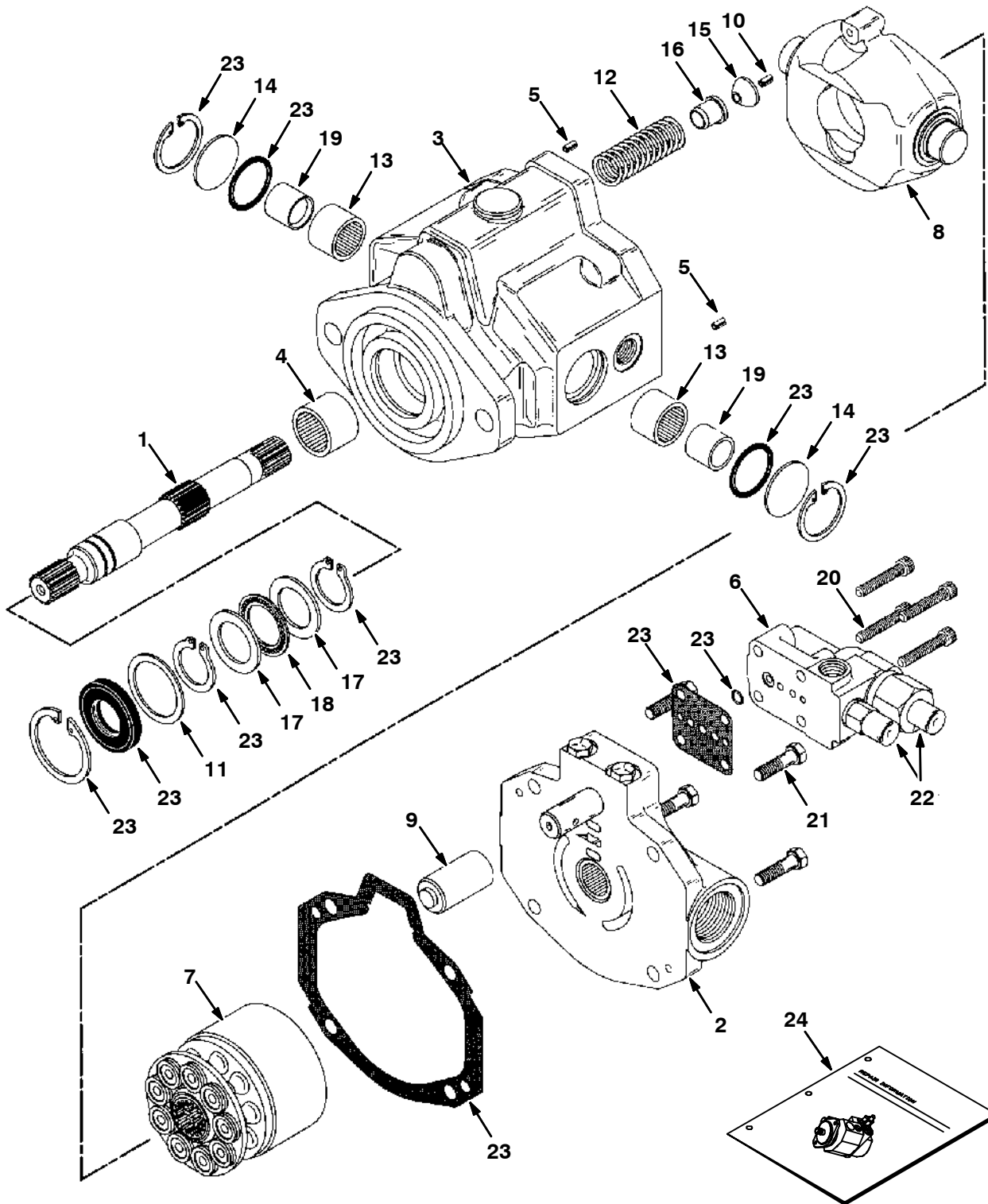




Fig. 11 - Hydraulic Piston Pump Breakdown, 373486

	Ref.	Part No.	Serial Number	Description	Qty.
▽		373486	(000000-	) Pump, Hyd, Piston [L] 2.75 [R] 2500	1
▲	1	373504	(000000-	) Plate, Valve	1
▲	2	373505	(000000-	) Drive Shaft	1
▲	3	373506	(000000-	) Housing	1
▲	4	373507	(000000-	) Cover, End	1
▲	5	373508	(000000-	) Kit, Rotating Group	1
▲▽	6	373509	(000000-	) Compensator, Psi And Flow	1
▲▲	7	373533	(000000-	) Plug	1
▲▲	8	373534	(000000-	) Seal, Wire	1
▲▲	9	373535	(000000-	) Wire	1
▲▲	10	373529	(000000-	) Screw, Cap	4
▲	11	373514	(000000-	) Bolt	6
▲	12	373515	(000000-	) Plate, Swash	1
▲	13	373516	(000000-	) Spacer	2
▲	14	373517	(000000-	) Cover	2
▲	15	373518	(000000-	) Screw	8
▲	16	373519	(000000-	) Bearing Assy	2
▲	17	74099	(000000-	) Plug, O-Ring, Motor, Hyd	1
▲	18	373520	(000000-	) Seat, Valve, Check	1
▲	19	373521	(000000-	) Poppet, Valve, Check	1
▲	20	373522	(000000-	) Spring, Valve, Check	1
▲	21	373537	(000000-	) Seal, Org	1
▲	22	373523	(000000-	) Pin	1
▲	23	373524	(000000-	) Pin	2
	24	373525	(000000-	) Ring, Retaining	1
▲	25	373526	(000000-	) Bearing Assy	1
▲	26	373527	(000000-	) Bearing Assy	1
▲	27	373528	(000000-	) Coupling	1
▲	28	373513	(000000-	) Spring	1
▲	29	373530	(000000-	) Ring, Retaining	1
▲	30	373531	(000000-	) Piston	1
▲	31	373532	(000000-	) Rod, Piston	1
▲	32	373510	(000000-	) Pin, Roll	1
▲	33	373511	(000000-	) Seat, Spherical	1
▲	34	373512	(000000-	) Seat, Spring	1
▲	35	373536	(000000-	) Kit, Seal, Pump	1
▲	36	373539	(000000-	) Kit, Shim, Brg	1
▲	37	373540	(000000-	) Kit, Spacer, Brg	1
▲	38	373538	(000000-	) Instr, Pump Repair	1

Fig. 12 - Hydraulic Pump Breakdown, 73101



**Fig. 12 - Hydraulic Pump Breakdown, 73101**

	<b>Ref.</b>	<b>Part No.</b>	<b>Serial Number</b>	<b>Description</b>	<b>Qty.</b>
▽		73101	(000000-	) Pump, Hyd Piston L 2.77 R 2500	1
▲	1	74199	(000000-	) Shaft, Drive Ce	1
▲	2	74200	(000000-	) Backplate S/A Ce	1
▲▽	3	74201	(000000-	) Housing Assy Ce	1
▲▲	4	37462	(000000-	) Bearing	1
▲▲	5	37704	(000000-	) Rollpin	2
▲	6	74202	(000000-	) Compensator Ce	1
▲	7	74203	(000000-	) Rotating Kit Ce	1
▲	8	74204	(000000-	) Camplate Ce	1
▲	9	74205	(000000-	) Piston, Control Ce	1
▲	10	74206	(000000-	) Pin, Roll Ce	1
▲	11	37460	(000000-	) Washer	1
▲	12	74207	(000000-	) Spring Ce	1
▲	13	37448	(000000-	) Bearing	2
▲	14	37471	(000000-	) Cover	2
▲	15	74208	(000000-	) Button, Pivot Ce	1
▲	16	74209	(000000-	) Collar, Spring Ce	1
▲	17	74240	(000000-	) Race, Bearing Ce	2
▲	18	74210	(000000-	) Bearing Ce	1
▲	19	37454	(000000-	) Bearing Race	2
▲	20	74211	(000000-	) Screw, Cap Ce	4
▲	21	74212	(000000-	) Screw, Cap Ce	4
▲	22	74213	(000000-	) Cover Ce	2
▲	23	74198	(000000-	) Seal Kit, Pump Ce	1
	24	74247	(000000-	) Repair Info. Ce	1

Fig. 13 - Hydraulic Pump Breakdown, 73102

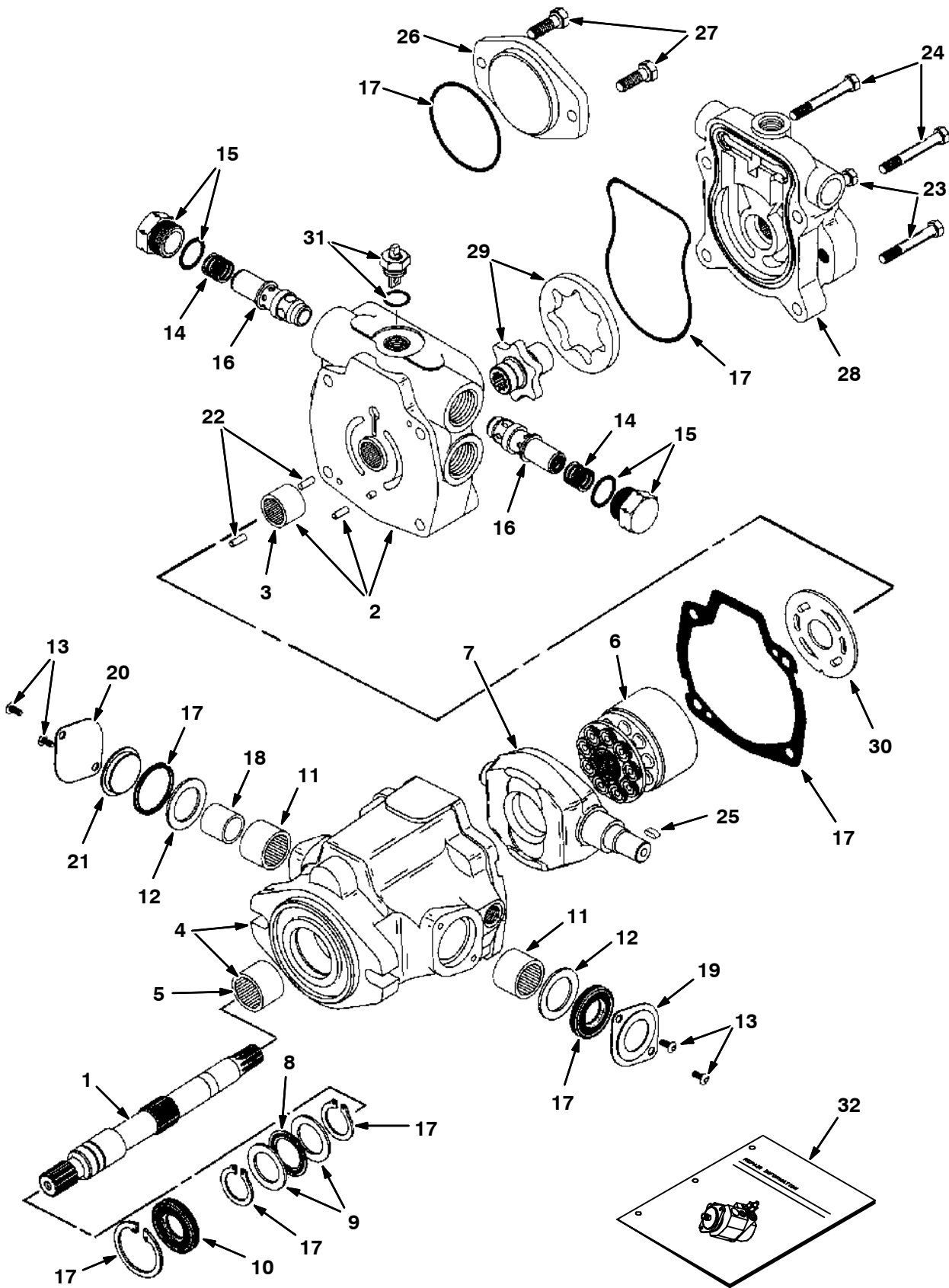


Fig. 13 - Hydraulic Pump Breakdown, 73102

Ref.	Part No.	Serial Number	Description	Qty.
▽	73102	(000000-	) Pump, Hyd Piston V 1.24	1
▲	1 74221	(000000-	) Shaft, Drive	1
▲	2 70094	(000000-	) Backplate Assy	1
▲	3 55937	(000000-	) Roller Bearing	1
▲	4 70095	(000000-	) Housing Assy, Pump	1
▲	5 55939	(000000-	) Roller Bearing	1
▲	6 02706	(000000-	) Rotating Kit	1
▲	7 57897	(000000-	) Camplate	1
▲	8 74225	(000000-	) Bearing, Thrust	1
▲	9 74226	(000000-	) Race, Bearing	2
▲	10 74227	(000000-	) Spacer	1
▲	11 02709	(000000-	) Bearing Cam	2
▲	12 70097	(000000-	) Washer	2
▲	13 61891	(000000-	) Screws	4
▲	14 74229	(000000-	) Spring	2
▲	15 74230	(000000-	) Plug S/A	2
▲	16 55941	(000000-	) Relief Valve	2
▲	17 70103	(000000-	) Seal Kit, Pump	1
▲	18 02705	(000000-	) Race, Inner Bearing	1
▲	19 52386	(000000-	) Cover	1
▲	20 70098	(000000-	) Cover, Trunion	1
▲	21 70099	(000000-	) Cover, O-Ring	1
▲	22 70100	(000000-	) Pin, Dowel	2
▲	23 74235	(000000-	) Screw, Cap	2
▲	24 70101	(000000-	) Screw, .31-18X3.75	2
▲	25 74237	(000000-	) Key	1
▲	26 74238	(000000-	) Plate, Cover	1
▲	27 74239	(000000-	) Screw, Cap	2
▲	28 55930	(000000-	) Pump Adaptor Assy	1
▲	29 55932	(000000-	) Geroter & Coupler	1
▲	30 374298	(000000-	) Plate Kit, Valve, Replmt	1
▲	31 74469	(000000-	) Valve, Dump	1
▲	32 74248	(000000-	) Repair Info, Pmp CE	1

**Fig. 14 - Hydraulic Pump Breakdown, 79770**

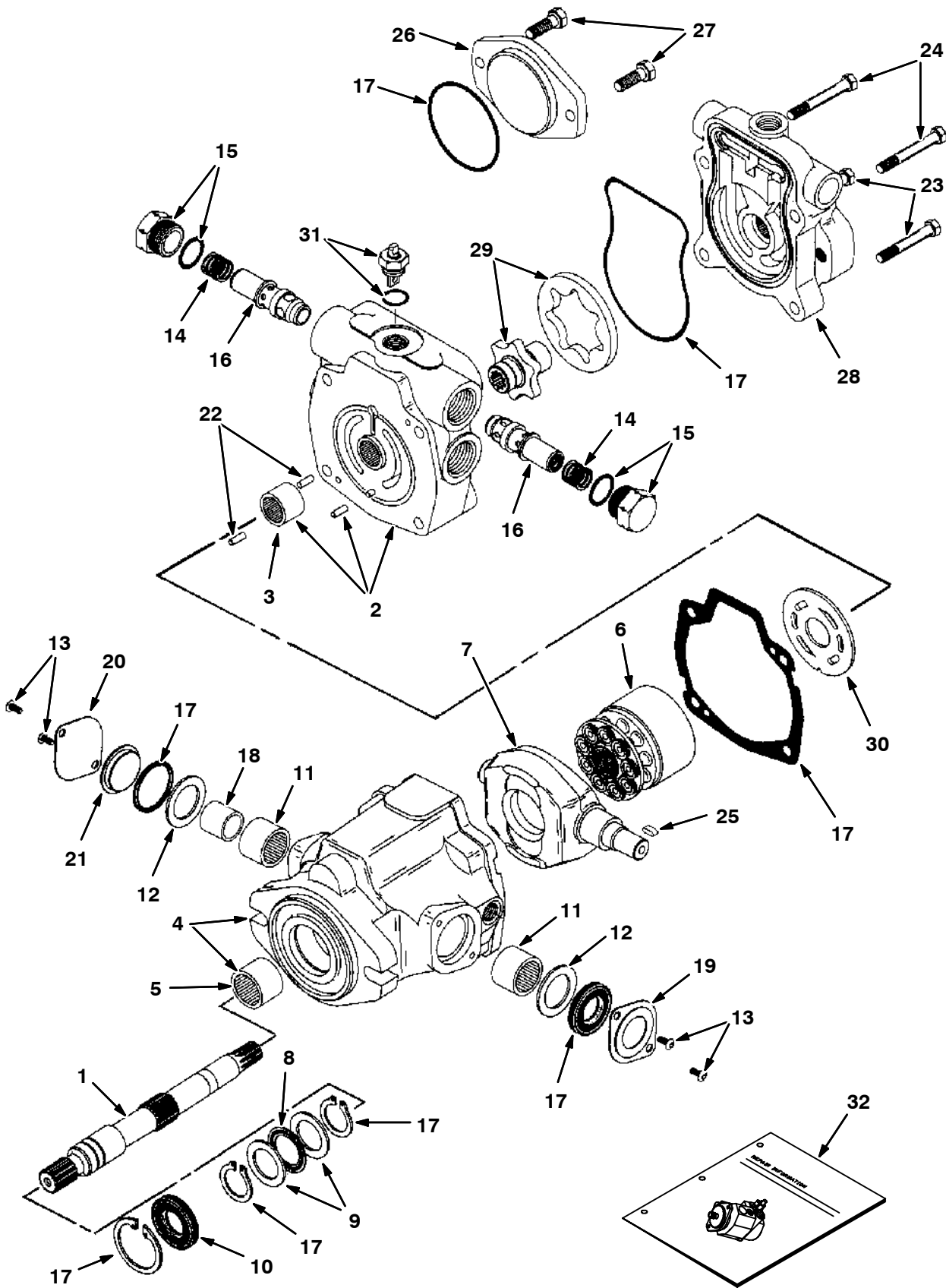


Fig. 14 - Hydraulic Pump Breakdown, 79770

Ref.	Part No.	Serial Number	Description	Qty.
▽	79770	(000000-	) Pump, Hyd Piston V 1.24 R 4000	1
▲	1 74221	(000000-	) Shaft, Drive	1
▲	2 70094	(000000-	) Backplate Assy	1
▲	3 55937	(000000-	) Roller Bearing	1
▲	4 70095	(000000-	) Housing Assy, Pump	1
▲	5 55939	(000000-	) Roller Bearing	1
▲	6 02706	(000000-	) Rotating Kit	1
▲	7 57897	(000000-	) Camplate	1
▲	8 74225	(000000-	) Bearing, Thrust	1
▲	9 74226	(000000-	) Race, Bearing	2
▲	10 74227	(000000-	) Spacer	1
▲	11 02709	(000000-	) Bearing Cam	2
▲	12 70097	(000000-	) Washer	2
▲	13 61891	(000000-	) Screws	4
▲	14 74229	(000000-	) Spring	2
▲	15 74230	(000000-	) Plug S/A	2
▲	16 55941	(000000-	) Relief Valve	2
▲	17 70103	(000000-	) Seal Kit, Pump	1
▲	18 02705	(000000-	) Race, Inner Bearing	1
▲	19 52386	(000000-	) Cover	1
▲	20 70098	(000000-	) Cover, Trunion	1
▲	21 70099	(000000-	) Cover, O-Ring	1
▲	22 70100	(000000-	) Pin, Dowel	2
▲	23 74235	(000000-	) Screw, Cap	2
▲	24 70101	(000000-	) Screw, .31-18X3.75	2
▲	25 74237	(000000-	) Key	1
▲	26 74238	(000000-	) Plate, Cover	1
▲	27 74239	(000000-	) Screw, Cap	2
▲	28 55930	(000000-	) Pump Adaptor Assy	1
▲	29 55932	(000000-	) Geroter & Coupler	1
▲	30 74180	(000000-	) Plate, Valve	1
▲	31 74469	(000000-	) Valve, Dump	1
▲	32 74248	(000000-	) Repair Info, Pmp CE	1

**Fig. 15 - Hydraulic Piston Pump Breakdown, 373485**

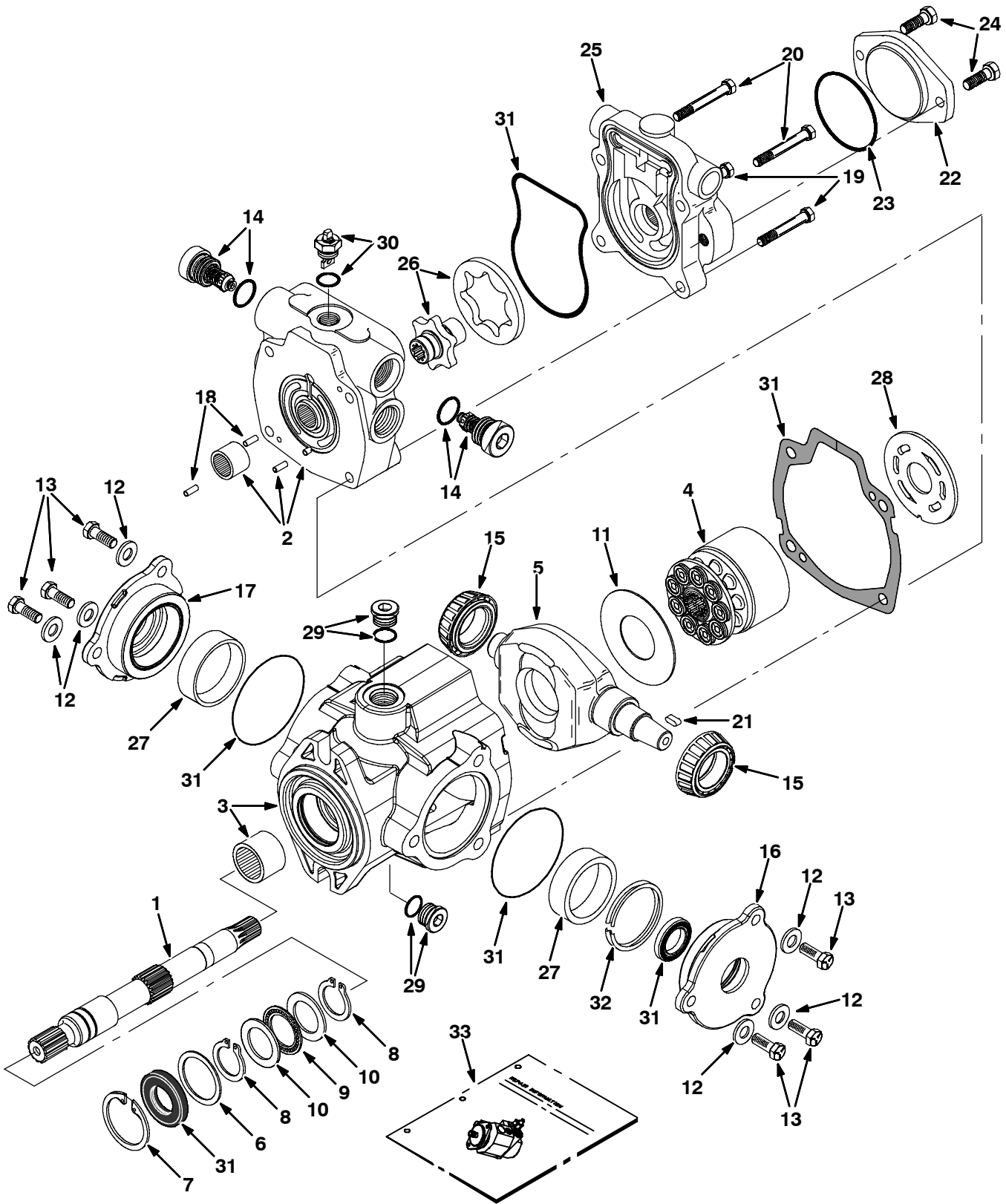




Fig. 15 - Hydraulic Piston Pump Breakdown, 373485

Ref.	Part No.	Serial Number	Description	Qty.
▽	373485	(000000-	) Pump, Hyd, Piston [V] 1.24 [R] 4000	1
▲	1 373499	(000000-	) Shaft, Drive	1
▲	2 373500	(000000-	) Cover Assy, End	1
▲	3 373501	(000000-	) Housing Assy	1
▲	4 02706	(000000-	) Kit, Rotating, Pump, Hyd [Cessna]	1
▲	5 373493	(000000-	) Plate, Cam	1
▲	6 70096	(000000-	) Washer, Flt, Pump, Hyd	1
▲	7 55926	(000000-	) Ring, Retaining, Pump, Hyd	1
▲	8 373434	(000000-	) Ring, Retaining	2
▲	9 74225	(000000-	) Bearing, Thrust, Pump, Hyd	1
▲	10 74226	(000000-	) Race, Bearing, Pump, Hyd	2
▲	11 373327	(000000-	) Insert, Plate, Cam, Pump, Hyd	1
▲	12 373391	(000000-	) Washer, Pump, Hyd En	6
▲	13 373346	(000000-	) Screw, Cap	6
▲	14 373494	(000000-	) Valve, Relief, 4000 Psi	2
▲	15 373317	(000000-	) Bearing, Cone, Pump, Hyd	2
▲	16 373393	(000000-	) Plate, Cover	1
▲	17 373394	(000000-	) Plate, Cover	1
▲	18 70100	(000000-	) Pin, Dowel, Pump, Hyd	2
▲	19 373336	(000000-	) Screw, Cap, Pump, Hyd	2
▲	20 373337	(000000-	) Screw, Cap, Pump, Hyd	2
▲	21 74237	(000000-	) Key, Shaft, Pump, Hyd	1
▲	22 74238	(000000-	) Plate, Cover	1
▲	23 65145-1	(000000-	) Seal, O-Ring, .069 X 3.06id	1
▲	24 76957	(000000-	) Screw, Hex, .31-18 X 1.50, 5	2
▲	25 373503	(000000-	) Pump Assy, Charging	1
▲	26 55932	(000000-	) Gerotor	1
▲	27 373395	(000000-	) Bearing, Cup	2
▲	28 74180	(000000-	) Plate, Valve, Pump, Hyd	1
▲	29 13907	(000000-	) Fitting, Plug, O-Ring [Eaton]	2
▲	30 373502	(000000-	) Valve Assy, By-Pass	1
▲	31 373398	(000000-	) Kit, Seal, Hyd, Pump	1
▲	32 373402	(000000-	) Kit, Shim	1
▲	33 373429	(000000-	) Instr, Repair, Pump	1

**Fig. 16 - Hydraulic Solenoid Valve Breakdown, 84011**

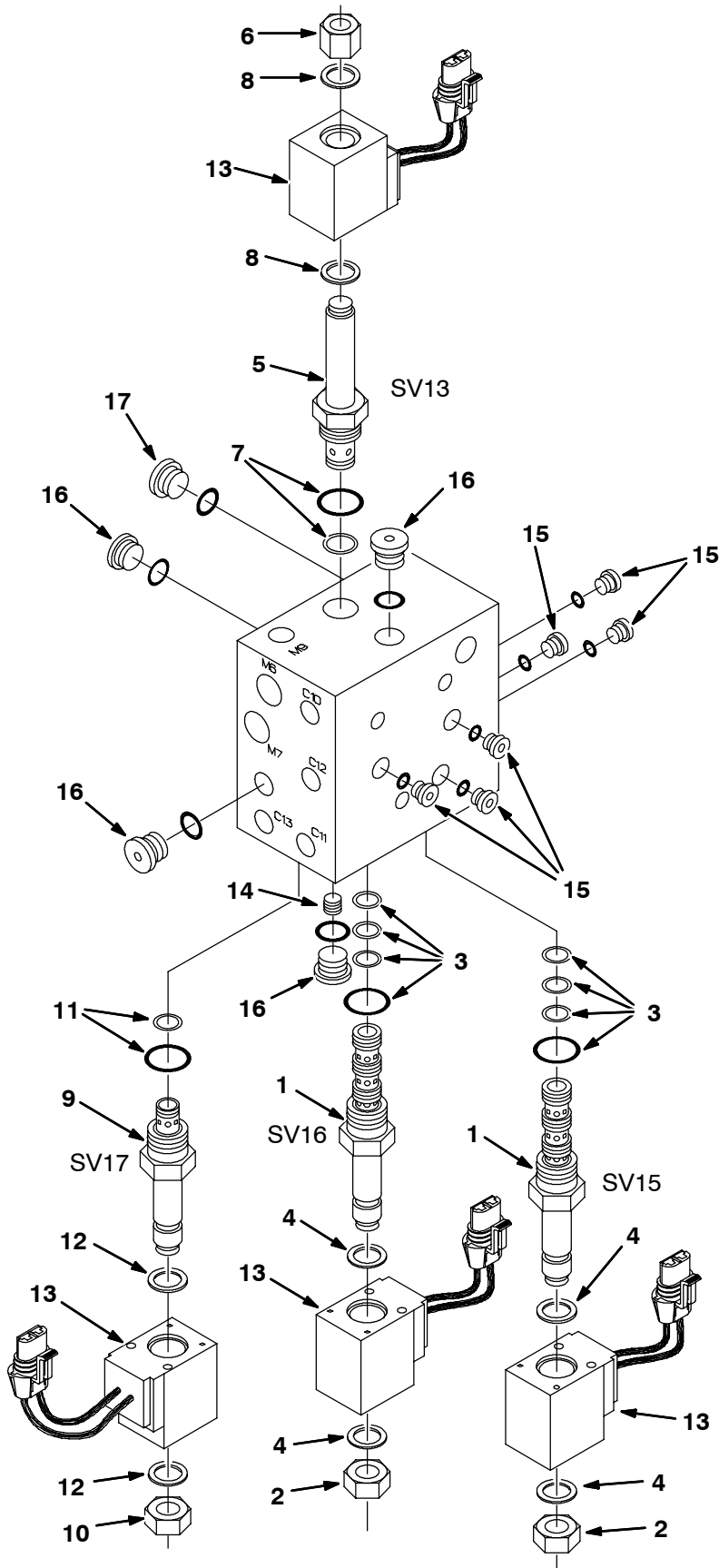


Fig. 16 - Hydraulic Solenoid Valve Breakdown, 84011

	Ref.	Part No.	Serial Number	Description	Qty.
▽		84011	(000000-	) Valve, Hyd Cntrl Sol	1
▲▽	1	79719	(000000-	) Valve Stem 4W2P	2
▲▲	2	79728	(000000-	) Nut, Cart., Sht Cp	1
▲▲	3	79711	(000000-	) Seal Kit, Cart Cp	1
▲▲	4	79740	(000000-	) Seal Kit, Coil Cp	1
▲▽	5	79732	(000000-	) Valve Stem N.O. Cp	1
▲▲	6	79731	(000000-	) Nut, Cart., Lng Cp	1
▲▲	7	79711	(000000-	) Seal Kit, Cart Cp	1
▲▲	8	79740	(000000-	) Seal Kit, Coil Cp	1
▲▽	9	79716	(000000-	) Valve Stem	1
▲▲	10	79728	(000000-	) Nut, Cart., Sht Cp	1
▲▲	11	79711	(000000-	) Seal Kit, Cart Cp	1
▲▲	12	79740	(000000-	) Seal Kit, Coil Cp	1
▲	13	21916	(000000-	) Coil, 12V	4
▲	14	79733	(000000-	) Plug, Orifice Cp	1
▲	15	13902	(000000-	) Plug #2	6
▲	16	74098	(000000-	) Plug #4	4
▲	17	13904	(000000-	) Plug #6	1

**Fig. 17 - Hydraulic Solenoid Valve Breakdown, 84012**

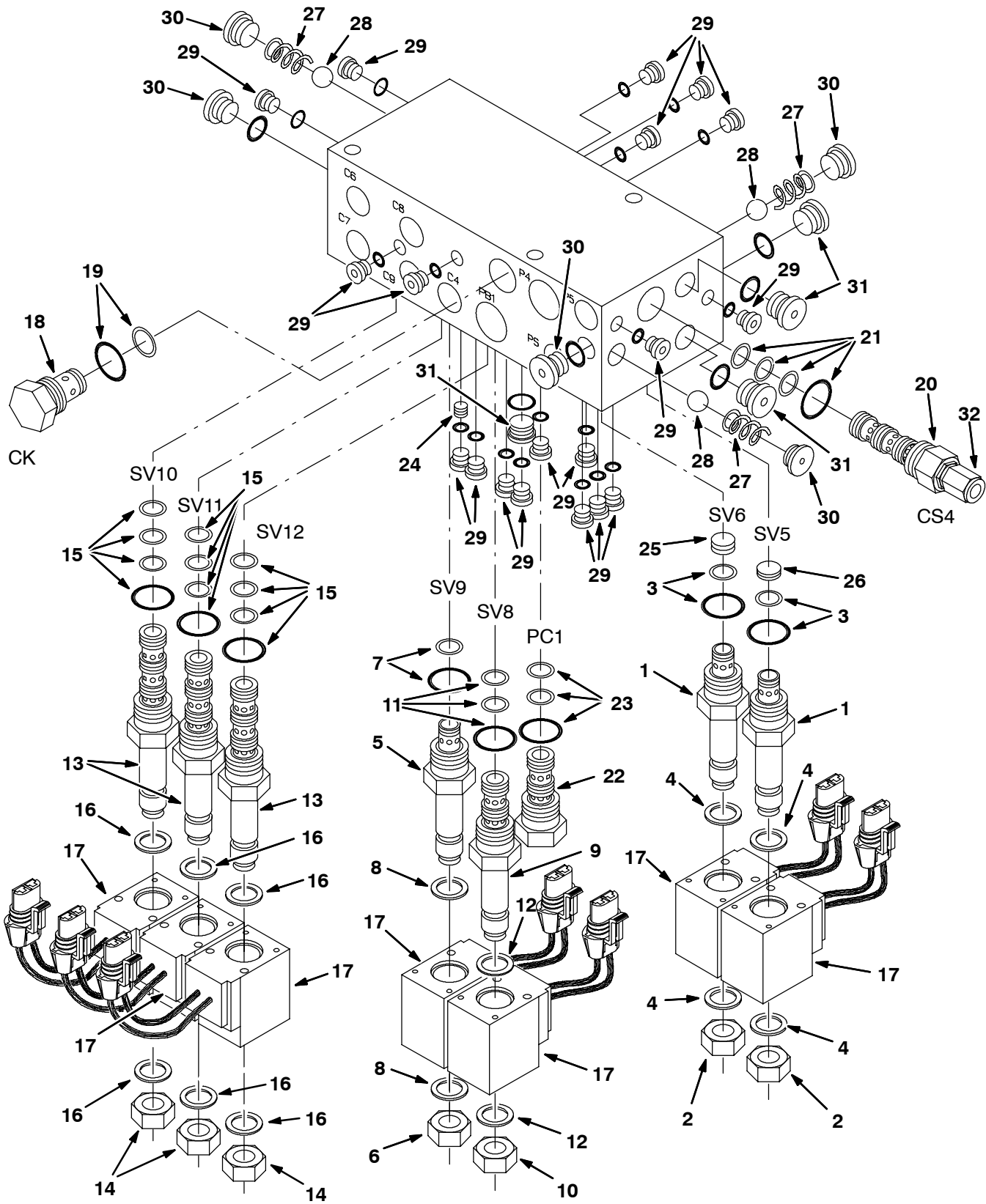


Fig. 17 - Hydraulic Solenoid Valve Breakdown, 84012

Ref.	Part No.	Serial Number	Description	Qty.
▽	84012	(000000-	) Valve, Hyd Control Sol	1
▲▽	1 79716	(000000-	) Valve Stem	2
▲▲	2 79728	(000000-	) Nut, Cart., Sht Cp	1
▲▲	3 79711	(000000-	) Seal Kit, Cart Cp	1
▲▲	4 79740	(000000-	) Seal Kit, Coil Cp	1
▲▽	5 22758	(000000-	) Valve Stem N.C. Cp	1
▲▲	6 79728	(000000-	) Nut, Cart., Sht Cp	1
▲▲	7 79711	(000000-	) Seal Kit, Cart Cp	1
▲▲	8 79740	(000000-	) Seal Kit, Coil Cp	1
▲▽	9 79718	(000000-	) Valve Stem 3W2P	1
▲▲	10 79728	(000000-	) Nut, Cart., Sht Cp	1
▲▲	11 79711	(000000-	) Seal Kit, Cart Cp	1
▲▲	12 79740	(000000-	) Seal Kit, Coil Cp	1
▲▽	13 79719	(000000-	) Valve Stem 4W2P	3
▲▲	14 79728	(000000-	) Nut, Cart., Sht Cp	1
▲▲	15 79711	(000000-	) Seal Kit, Cart Cp	1
▲▲	16 79740	(000000-	) Seal Kit, Coil Cp	1
▲	17 21916	(000000-	) Coil, 12V	7
▲▽	18 79721	(000000-	) Cart, Check Vlv Cp	1
▲▲	19 79711	(000000-	) Seal Kit, Cart Cp	1
▲▽	20 79722	(000000-	) Cart, Logic Cntl Cp	1
▲▲	21 79711	(000000-	) Seal Kit, Cart Cp	1
▲▽	22 74145	(000000-	) Cart, Pilot Cntr Cp	1
▲▲	23 79711	(000000-	) Seal Kit, Cart Cp	1
▲	24 79723	(000000-	) Plug, Orifice Cp	1
▲	25 79724	(000000-	) Plug, Orifice Cp	1
▲	26 79725	(000000-	) Plug, Orifice Cp	1
▲	27 79726	(000000-	) Spring, Conical Cp	3
▲	28 79727	(000000-	) Ball, .313 Dia. Cp	3
▲	29 13902	(000000-	) Plug #2	17
▲	30 74098	(000000-	) Plug #4	4
▲	31 13904	(000000-	) Plug #6	4
▲	32 79738	(000000-	) Screw, Cap, Valve, Hyd	1

**Fig. 18 - Hydraulic Solenoid Valve Breakdown, 84010**

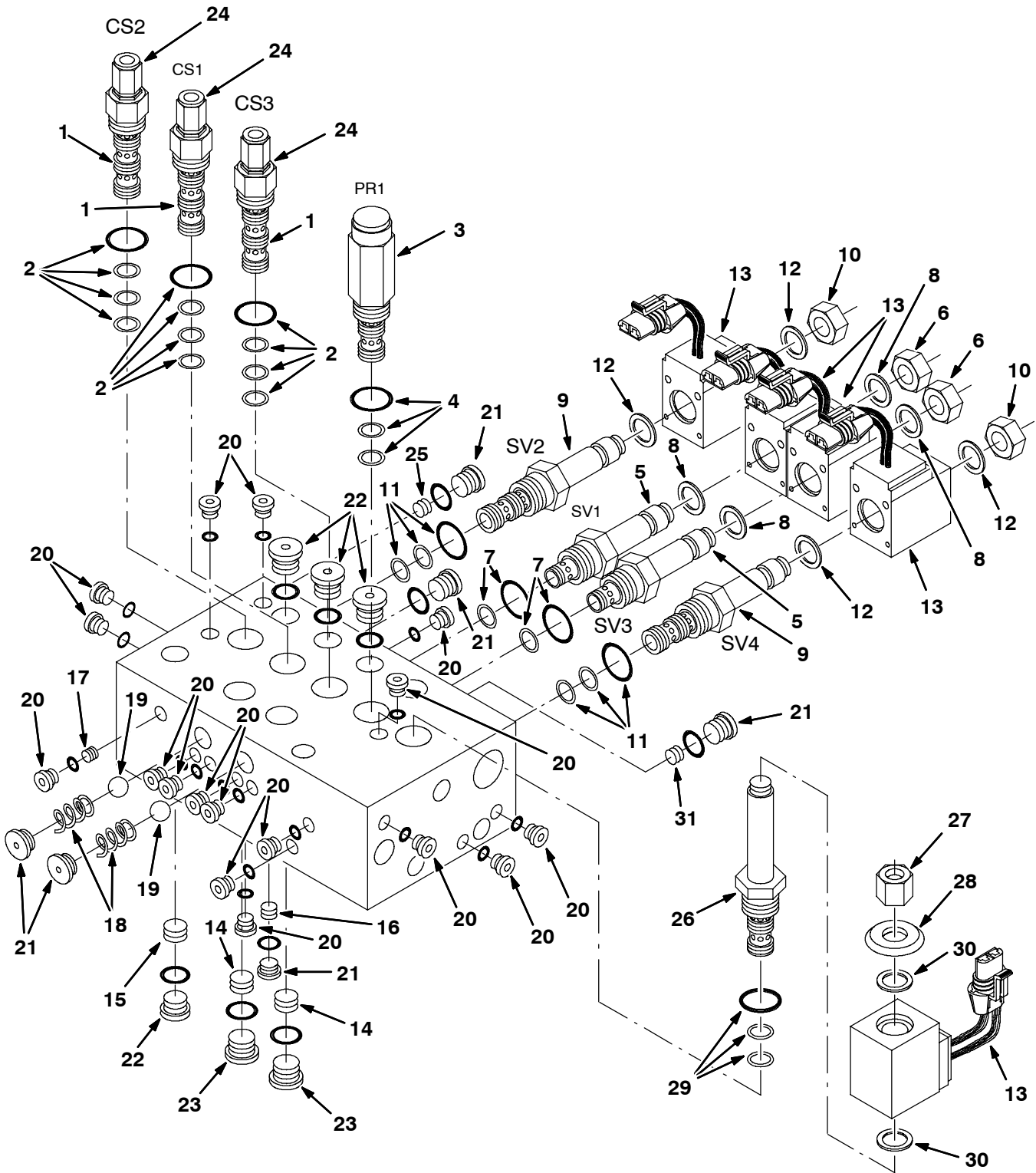


Fig. 18 - Hydraulic Solenoid Valve Breakdown, 84010

	Ref.	Part No.	Serial Number	Description	Qty.
▽		84010	(000000-	) Valve, Hyd Control Sol	1
▲▽	1	79722	(000000-	) Cart,Logic Cntl Cp	3
▲▲	2	79711	(000000-	) Seal Kit, Cart Cp	1
▲▽	3	21977	(000000-	) Cart.Psi Ct Cp	1
▲▲	4	79711	(000000-	) Seal Kit, Cart Cp	1
▲▽	5	79716	(000000-	) Valve Stem	2
▲▲	6	79728	(000000-	) Nut, Cart., Sht Cp	1
▲▲	7	79711	(000000-	) Seal Kit, Cart Cp	1
▲▲	8	79740	(000000-	) Seal Kit, Coil Cp	1
▲▽	9	79718	(000000-	) Valve Stem 3W2P	2
▲▲	10	79728	(000000-	) Nut, Cart., Sht Cp	1
▲▲	11	79711	(000000-	) Seal Kit, Cart Cp	1
▲▲	12	79740	(000000-	) Seal Kit, Coil Cp	1
▲	13	21916	(000000-	) Coil, 12V	5
▲	14	79735	(000000-	) Plug, Orifice Cp	2
▲	15	79736	(000000-	) Plug, Orifice Cp	1
▲	16	79723	(000000-	) Plug, Orifice Cp	1
▲	17	79737	(000000-	) Plug, Orifice Cp	1
▲	18	79726	(000000-	) Spring, Conical Cp	2
▲	19	79727	(000000-	) Ball, .313 Dia. Cp	2
▲	20	13902	(000000-	) Plug #2	22
▲	21	74098	(000000-	) Plug #4	6
▲	22	13904	(000000-	) Plug #6	4
▲	23	13907	(000000-	) Plug #8	2
▲	24	79738	(000000-	) Screw Cap Cp	3
▲▽	25	21922	(000000-	) Plug, Orifice Cp	1
▲▽	26	21931	(000000-	) Cart, Psi Control	1
▲▲	27	79731	(000000-	) Nut, Cart., Lng Cp	1
▲▲	28	21923	(000000-	) Spacer, Coil Cp	1
▲▲	29	79711	(000000-	) Seal Kit, Cart	1
▲▲	30	79740	(000000-	) Seal Kit, Coil	1
▲	31	21920	(000000-	) Plug, Orifice [Cp]	1

**Fig. 19 - Hydraulic Solenoid Valve Breakdown, 1032232**

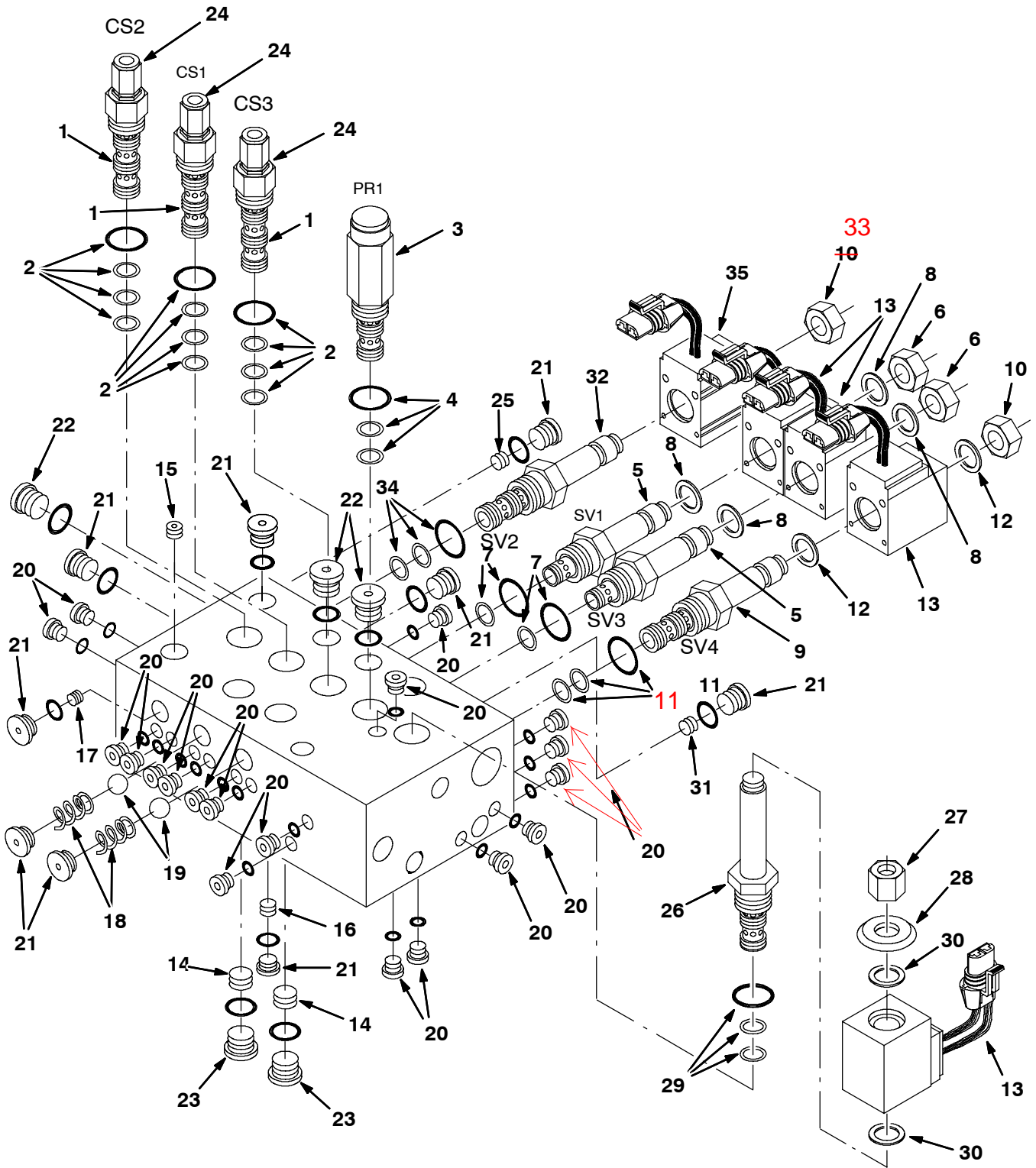




Fig. 19 - Hydraulic Solenoid Valve Breakdown, 1032232

Ref.	Part No.	Serial Number	Description	Qty.
▽	1032232	(000000-	) Valve, Hyd, Solenoid, 12vdc 0280psi	1
▲▽	1 79722	(000000-	) Cart,Logic Cntl Cp	3
▲▲	2 79711	(000000-	) Seal Kit, Cart Cp	1
▲▽	3 21977	(000000-	) Cart.Psi Ct Cp	1
▲▲	4 79711	(000000-	) Seal Kit, Cart Cp	1
▲▽	5 79716	(000000-	) Valve Stem	2
▲▲	6 79728	(000000-	) Nut, Cart., Sht Cp	1
▲▲	7 79711	(000000-	) Seal Kit, Cart Cp	1
▲▲	8 79740	(000000-	) Seal Kit, Coil Cp	1
▲▽	9 79718	(000000-	) Valve Stem 3W2P	1
▲▲	10 79728	(000000-	) Nut, Cart., Sht Cp	1
▲▲	11 79711	(000000-	) Seal Kit, Cart Cp	1
▲▲	12 79740	(000000-	) Seal Kit, Coil Cp	1
▲	13 21916	(000000-	) Coil, 12V	4
▲	14 79735	(000000-	) Plug, Orifice Cp	2
▲	15 373482	(000000-	) Plug, Orifice	1
▲	16 79723	(000000-	) Plug, Orifice Cp	1
▲	17 79737	(000000-	) Plug, Orifice Cp	1
▲	18 79726	(000000-	) Spring, Conical Cp	2
▲	19 79727	(000000-	) Ball, .313 Dia. Cp	2
▲	20 13902	(000000-	) Plug #2	19
▲	21 74098	(000000-	) Plug #4	8
▲	22 13904	(000000-	) Plug #6	3
▲	23 13907	(000000-	) Plug #8	2
▲	24 79738	(000000-	) Screw Cap Cp	3
▲▽	25 373682	(000000-	) Plug, Orifice	1
▲▽	26 21931	(000000-	) Cart, Psi Control	1
▲▲	27 79731	(000000-	) Nut, Cart., Lng Cp	1
▲▲	28 21923	(000000-	) Spacer, Coil Cp	1
▲▲	29 79711	(000000-	) Seal Kit, Cart	1
▲▲	30 79740	(000000-	) Seal Kit, Coil	1
▲	31 21920	(000000-	) Plug, Orifice [Cp]	1
▲▽	32 373624	(000000-	) Valve, Stem, No	1
▲▲	33 373611	(000000-	) Nut, Solenoid	1
▲▲	34 373590	(000000-	) Seal Kit, Cartridge	1
▲	35 373622	(000000-	) Solenoid, 12vdc, W/ Mp	1

**Fig. 20 – Extended Scrub Pump Breakdown, 379001**

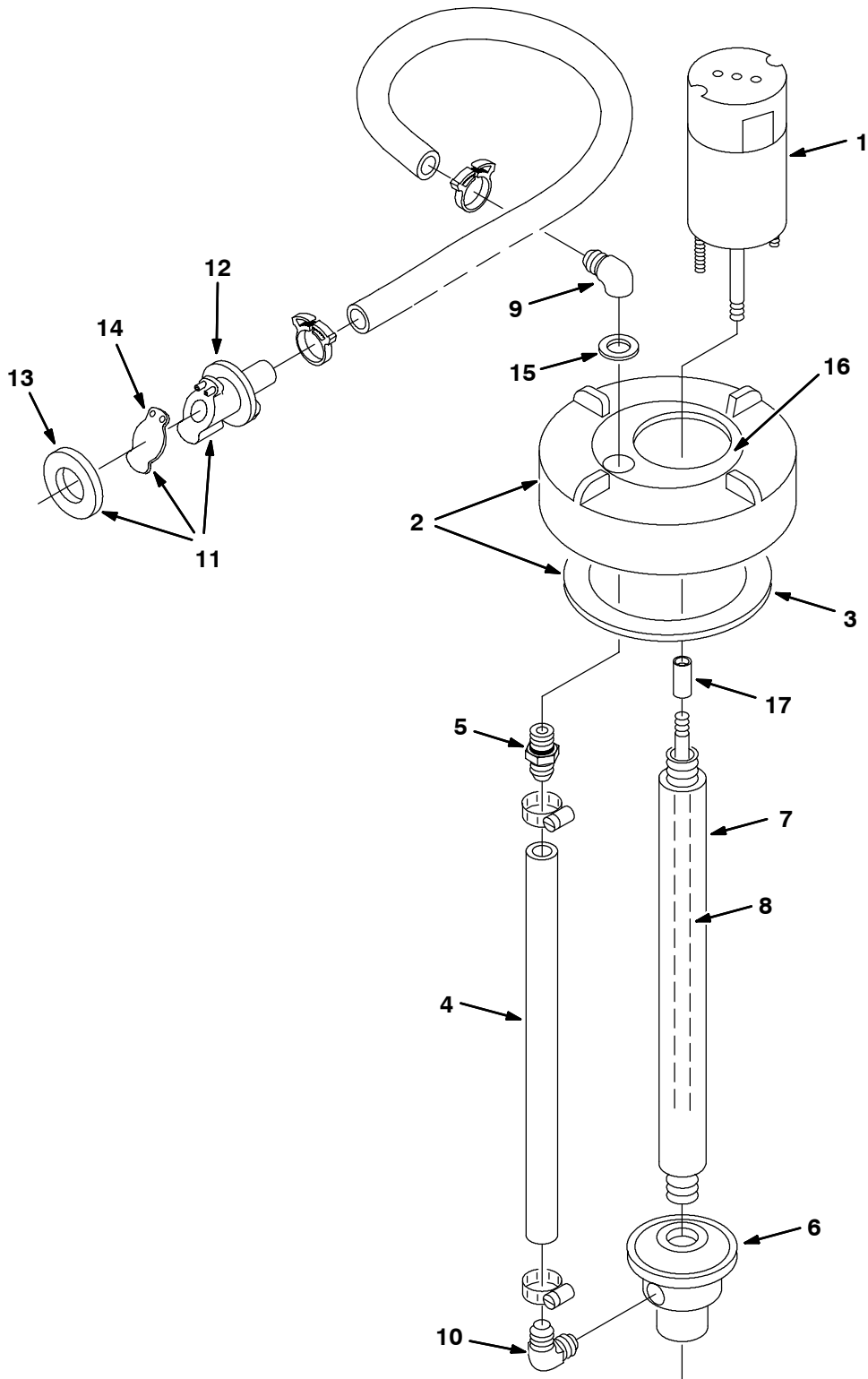


Fig. 20 – Extended Scrub Pump Breakdown, 379001

	Ref.	Part No.	Serial Number	Description	Qty.
▽		379001	(000000-	) Pump, Column, Es	1
▲▽	1	23282	(000000-	) Motor 12V Dc	1
▲▲		78829	(000000-	) Brush Kit	1
▲	2	24358	(000000-	) Cap Assy, Tank	1
▲	3	1031699	(000000-	) Gasket, 4.05id 5.29od .19 [Buna]	1
▲	4	78833	(000000-	) Tubing, Vinyl	1
▲	5	78398	(000000-	) Fitting, Plstc, Str	1
▲	6	78843	(000000-	) Pump Body Kit	1
▲	7	78836	(000000-	) Column, Pump	1
▲	8	23283	(000000-	) Pump Shaft	1
▲	9	78838	(000000-	) Fitting, Elbow Gr	1
▲	10	78839	(000000-	) Fitting, Elbow Gr	1
▲▽	11	78842	(000000-	) Check Valve Kit	1
▲▲	12	78840	(000000-	) Valve, Check	1
▲▲	13	73342	(000000-	) Gasket, Check Valve	1
▲▲	14	78841	(000000-	) Flapper, Valve	1
▲	15	78830	(000000-	) Washer, Rubber	1
▲	16	22790	(000000-	) Insert, Cap	1
▲	17	23285	(000000-	) Sleeve Gr	1

**Fig. 21 - Extended Scrub Pump Breakdown, 20891**

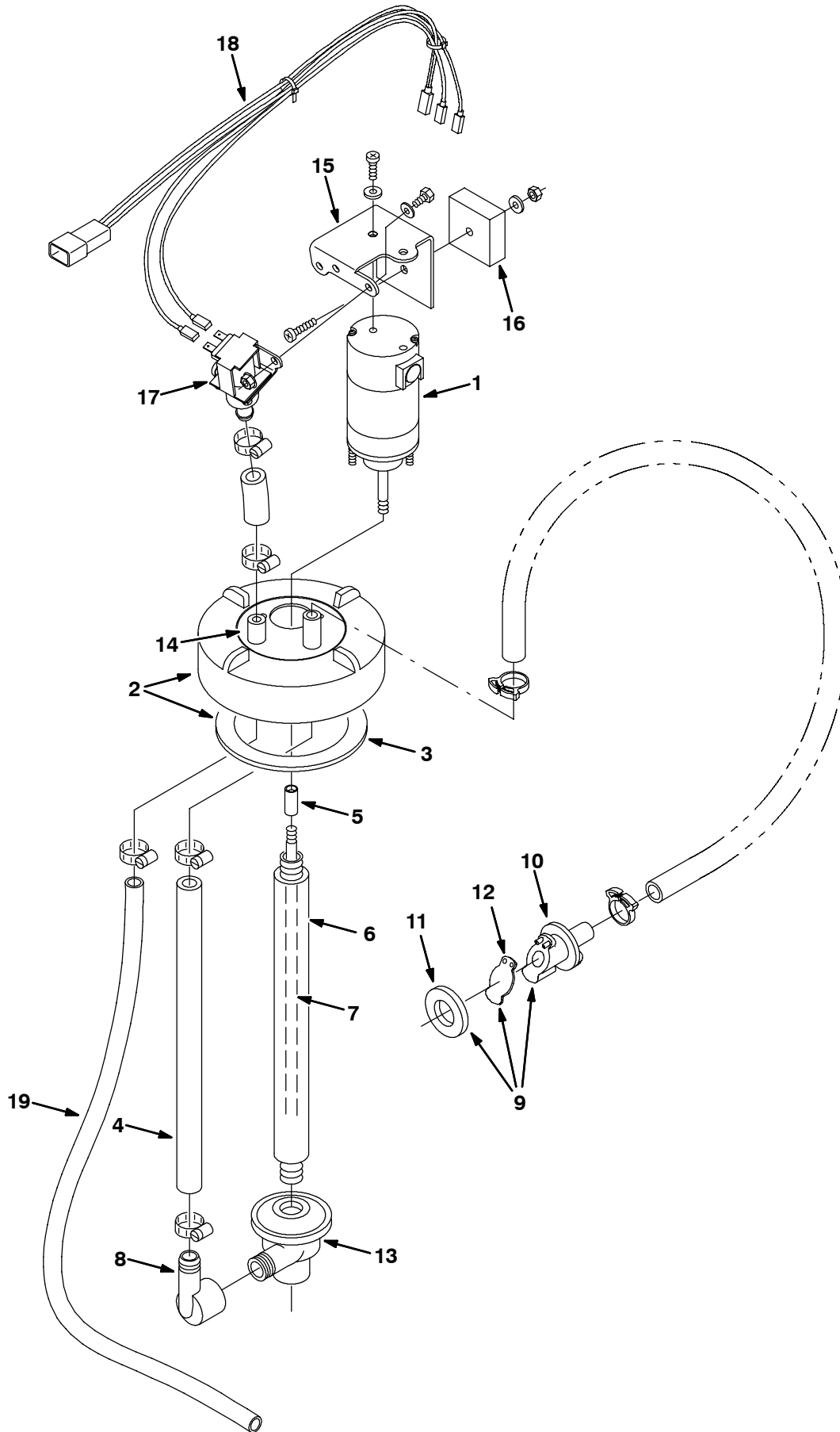


Fig. 21 - Extended Scrub Pump Breakdown, 20891

	Ref.	Part No.	Serial Number	Description	Qty.
▽		20891	(000000-	) Pump, Water	1
▲▽	1	23282	(000000-	) Motor 12V Dc	1
▲▲		78829	(000000-	) Kit, Brush	1
▲▽	2	24358	(000000-	) Cap, Tank	1
▲▲	3	1031699	(000000-	) Gasket, 4.05id 5.29od .19 [Buna]	1
▲	4	78833	(000000-	) Tubing, Vinyl	1
▲	5	23285	(000000-	) Sleeve	1
▲	6	78836	(000000-	) Column	1
▲	7	23283	(000000-	) Shaft, Pump	1
▲	8	78839	(000000-	) Fitting	1
▲▽	9	78842	(000000-	) Check Valve Kit	1
▲▲	10	78840	(000000-	) Valve, Check	1
▲▲	11	73342	(000000-	) Gasket	1
▲▲	12	78841	(000000-	) Flapper, Valve	1
▲	13	78843	(000000-	) Pump Body Kit	1
▲	14	20892	(000000-	) Backflush,Cover Lid	1
▲	15	20885	(000000-	) Bracket, Solenoid Valve	1
▲	16	20989	(000000-	) Timer, Backflush	1
▲	17	369850	(000000-	) Valve, Water, Sol, 12vdc, 10bm/10bm	1
▲	18	20988	(000000-	) Wireharness, Backflush	1
▲	19	20778	(000000-	) Hose, Vinyl, Clear	1

**Fig. 22 - Extended Scrub Pump Breakdown, 1021210**

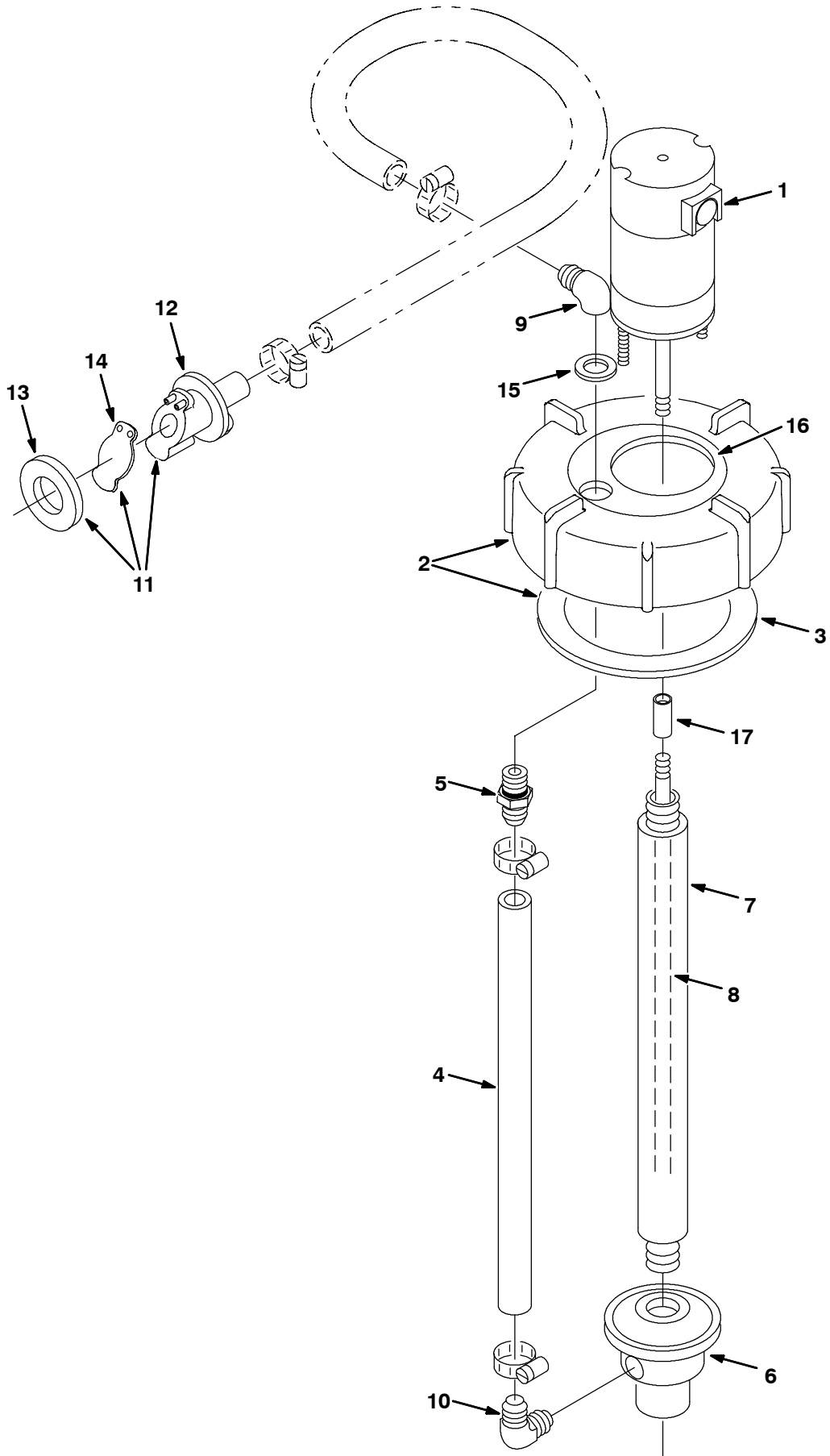
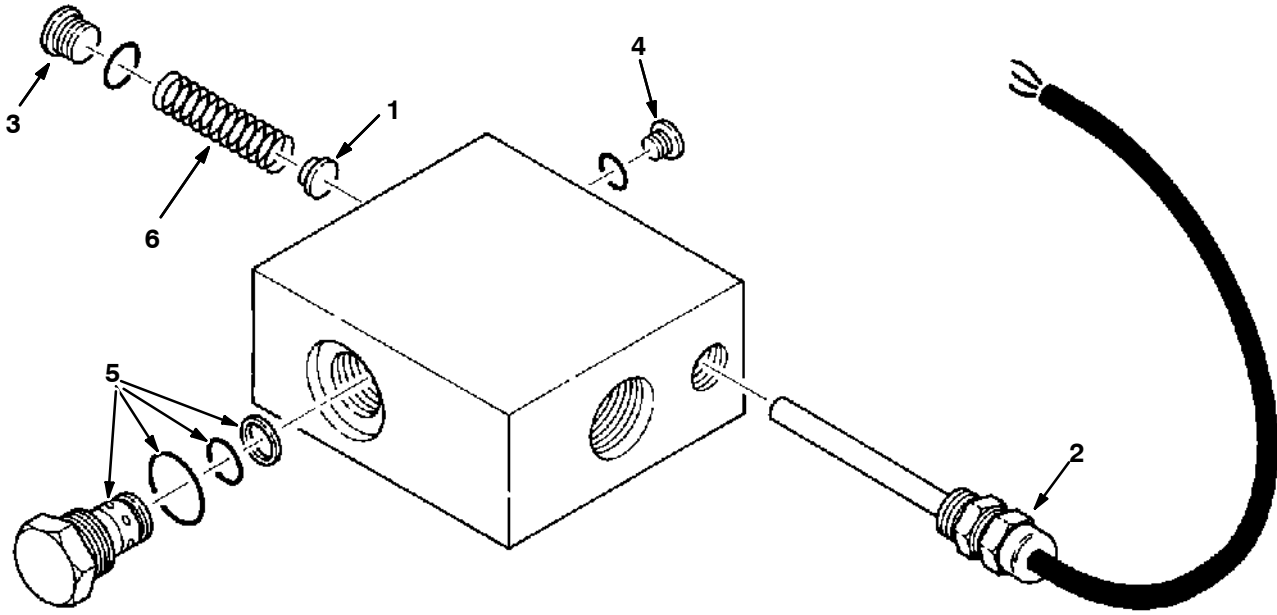


Fig. 22 - Extended Scrub Pump Breakdown, 1021210

	Ref.	Part No.	Serial Number	Description	Qty.
▽		1021210	(000000-	) Pump Assy, Column, Es	1
▲▽	1	9002708	(000000-	) Motor, Ele, 12vdc, Pump, Water	1
▲▲		78829	(000000-	) Kit, Brush, Motor, Ele	1
▲▽	2	24358	(000000-	) Cap Assy, Tank, Drain	1
▲▲	3	1031699	(000000-	) Gasket, 4.05id 5.29od .19 [Buna]	1
▲	4	78833	(000000-	) Tube, Vinyl, Pump, Water	1
▲	5	78398	(000000-	) Fitting, Plstc, Str, Bm12/Pm08, Nyl	1
▲	6	78843	(000000-	) Housing Kit, Pump, Water	1
▲	7	78836	(000000-	) Column, Pump, Water	1
▲	8	9002709	(000000-	) Shaft, Pump, Water	1
▲	9	78838	(000000-	) Fitting, E, Gr	1
▲	10	78839	(000000-	) Fitting, Plstc, E90, Pf Bm [Es Pump]	1
▲▽	11	78842	(000000-	) Kit, Valve, Check, Pump, Water	1
▲▲	12	78840	(000000-	) Valve, Check, Pump, Water	1
▲▲	13	73342	(000000-	) Gasket, .25 1.88d 1.0id [Poron]	1
▲▲	14	78841	(000000-	) Flapper, Valve, Pump, Water	1
▲	15	78830	(000000-	) Washer, Rbr	1
▲	16	22790	(000000-	) Insert, Cap, Mount, Es Pump	1
▲	17	23285	(000000-	) Sleeve, Pump, Water	1

**Fig. 23 - Hydraulic Flow Sensor Switch Breakdown, 73430**

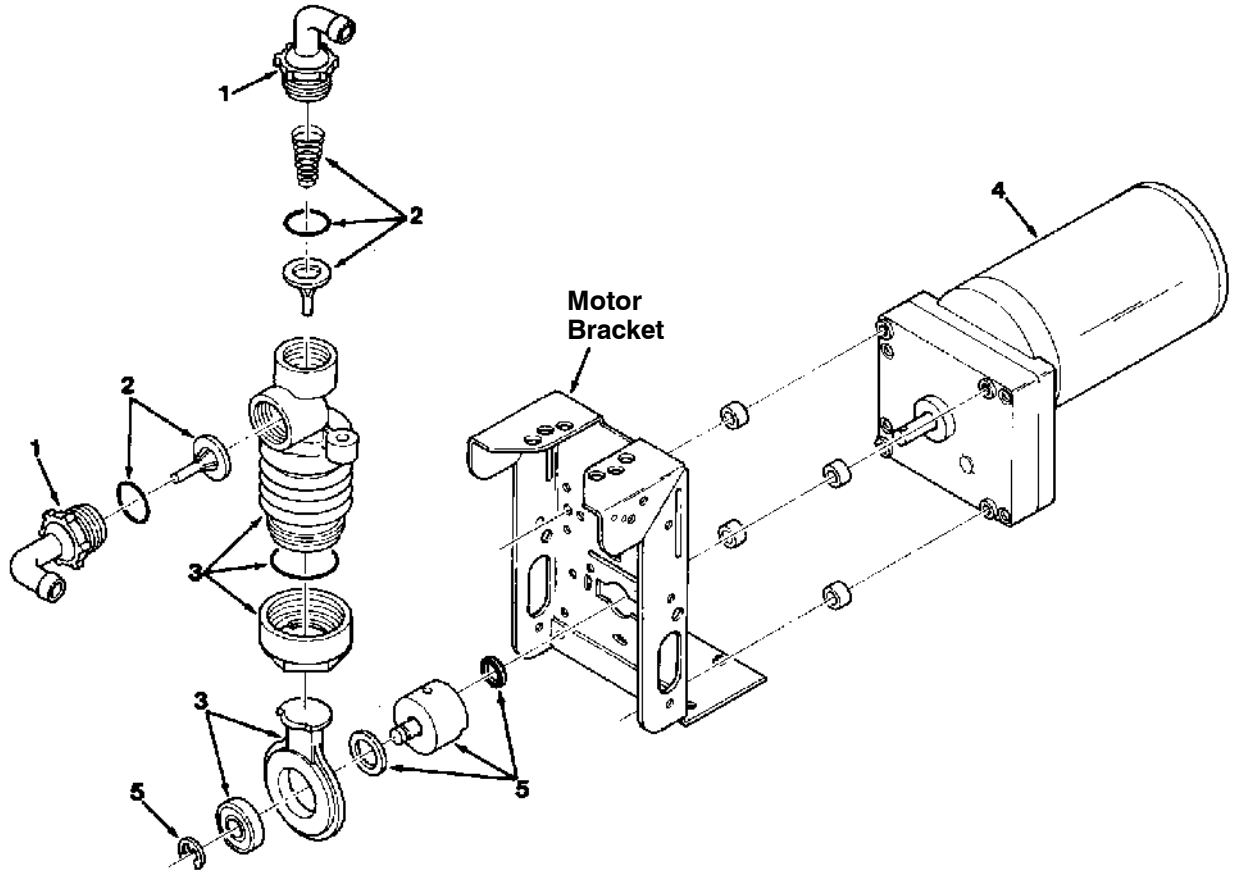


10854 - ALL

Ref.	Part No.	Serial Number	Description	Qty.	
▽	73430	(000000-	) Switch, Hyd Flow Sensor	1	
▲	1	79713	(000000-	) Cushion, Piston	1
▲	2	79714	(000000-	) Switch Assy	1
▲	3	13904	(000000-	) Plug Gage #6	1
▲	4	13902	(000000-	) Plug #2	1
▲	5	79710	(000000-	) Cart, Check Vlv	1
▲	6	79715	(000000-	) Spring	1



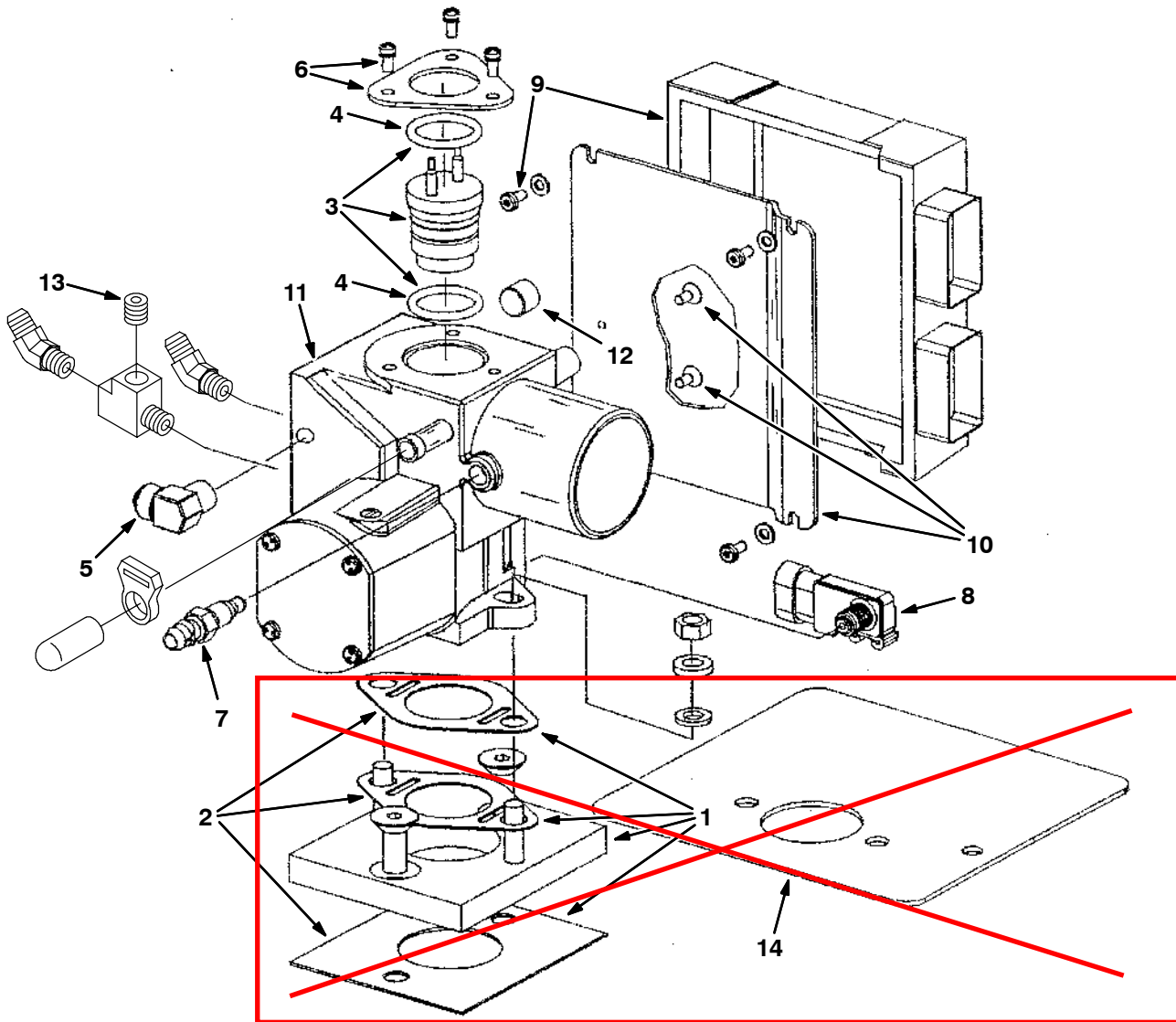
**Fig. 24 - Metering Solution Pump Breakdown, 73260**



00112 - ALL

Ref.	Part No.	Serial Number	Description	Qty.
▽	73260	(000000-	) Pump, Detergent Metering	1
▲	1 63923	(000000-	) Tubing Connctr.Kit, Pmp	1
▲	2 21659	(000000-	) Valve Kit, Poppet	1
▲	3 21657	(000000-	) Bellows Kit Gr	1
▲	4 78875	(000000-	) Gear Motor Assy	1
▲	5 02430	(000000-	) Crank Replmt.Kit,Pump F/79323	1

**Fig. 25 - LPG EFI Breakdown, 371894**

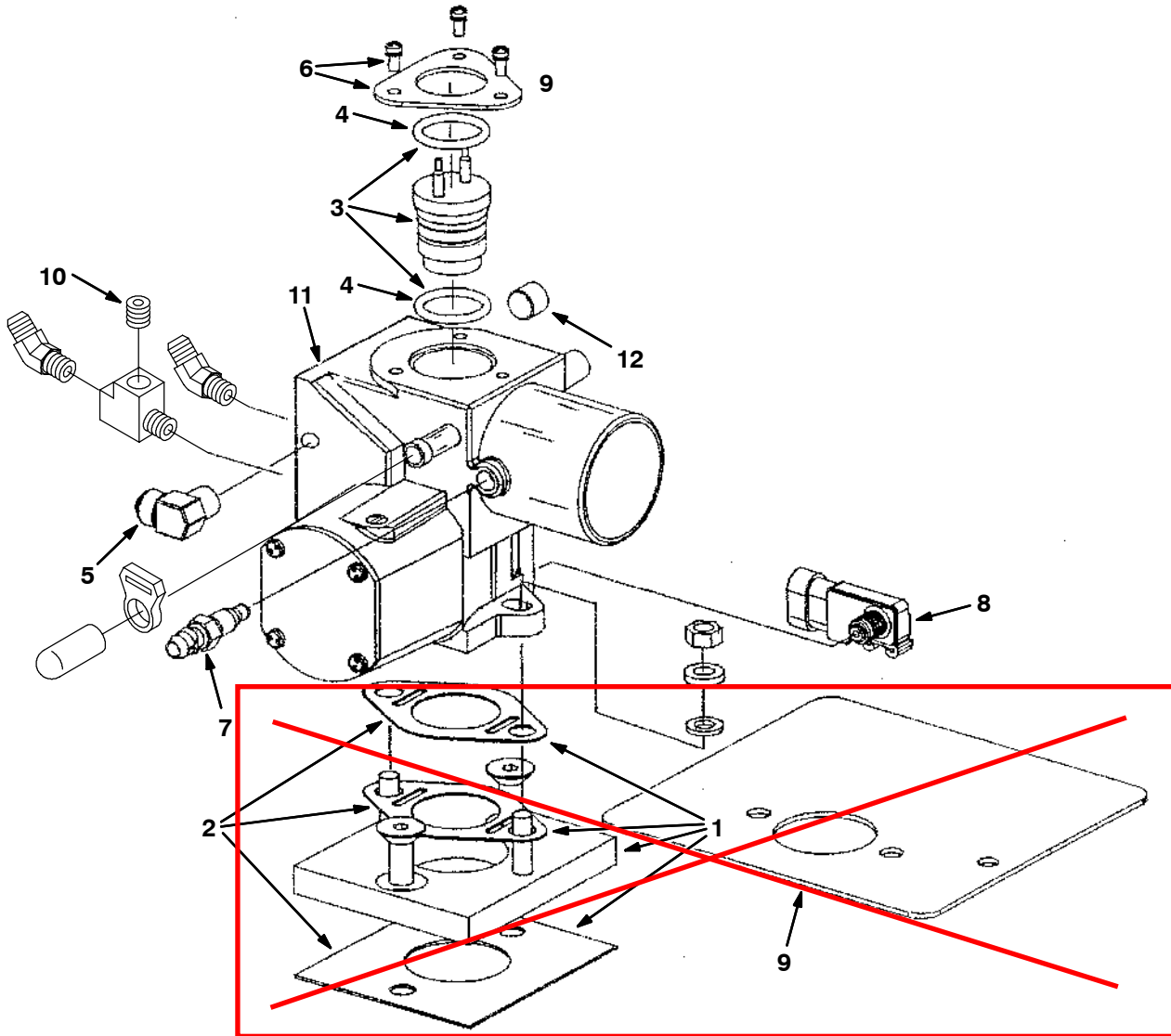


these parts are NOT included in this kit

**Fig. 25 - LPG EFI Breakdown, 371894**

	<b>Ref.</b>	<b>Part No.</b>	<b>Serial Number</b>	<b>Description</b>	<b>Qty.</b>
▽		371894	(000000-	) Housing Assy, Throttle, Lpg, [With Ecu]	1
<del>▲▽</del>	<del>1</del>	<del>371646</del>	<del>(000000-</del>	<del>) Kit, Adaptor, Manifold</del>	<del>1</del>
<del>▲▲</del>	<del>2</del>	<del>371647</del>	<del>(000000-</del>	<del>) Kit, Gasket, Manifold</del>	<del>1</del>
▲▽	3	1017270	(000000-	) Injector, Fuel, Lpg [3.0l Gm] 8410	1
▲▲	4	371665	(000000-	) Kit, Org, Injector, Top And Bottom, Lpg	1
▲	5	371666	(000000-	) Fitting, Fuel Inlet, Lpg	1
▲	6	371651	(000000-	) Plate, Injector Mtg, W/ Screw	1
▲	7	371653	(000000-	) Sensor, Temp	1
▲		371714	(000000-	) Kit, Connector, Coolant Sensor	1
▲		371715	(000000-	) Kit, Connector, Sensor, [lat]	1
▲	8	371654	(000000-	) Sensor, Manifold Press	1
▲		371713	(000000-	) Kit, Connector, Sensor, [Map]	1
▲	9	9000823	(000000-	) Kit, Replmt, Controller	1
▲	10	391891	(000000-	) Plate, Mtg, W/ Screw, [Ecu], Lpg	1
▲	11	371669	(000000-	) Housing, Throttle, Lpg	1
▲		371718	(000000-	) Kit, Connector, Govnr	1
▲	12	371660	(000000-	) Fitting, Coolant Plug	1
▲	13	10552	(000000-	) Fitting, Pipe, Plug, Pm02 Soc Head	1
<del>▲</del>	<del>14</del>	<del>371658</del>	<del>(000000-</del>	<del>) Shield, Heat</del>	<del>1</del>

**Fig. 26 - LPG EFI Breakdown, 371895**



these parts are NOT included in this kit

Fig. 26 - LPG EFI Breakdown, 371895

Ref.	Part No.	Serial Number	Description	Qty.
▽	371895	(000000-	) Housing Assy, Throttle, Lpg, [Without Ecu]	1
<del>▲▽ 1</del>	<del>371646</del>	<del>(000000-</del>	<del>) Kit, Adaptor, Manifold</del>	<del>1</del>
<del>▲▲ 2</del>	<del>371647</del>	<del>(000000-</del>	<del>) Kit, Gasket, Manifold</del>	<del>1</del>
▲▽	3 1017270	(000000-	) Injector, Fuel, Lpg [3.0l Gm] 8410	1
▲▲	4 371665	(000000-	) Kit, Org, Injector, Top And Bottom, Lpg	1
▲	5 371666	(000000-	) Fitting, Fuel Inlet, Lpg	1
▲	6 371651	(000000-	) Plate, Injector Mtg, W/ Screw	1
▲	7 371653	(000000-	) Sensor, Temp	1
▲	371714	(000000-	) Kit, Connector, Coolant Sensor	1
▲	371715	(000000-	) Kit, Connector, Sensor, [lat]	1
▲	8 371654	(000000-	) Sensor, Manifold Press	1
▲	371713	(000000-	) Kit, Connector, Sensor, [Map]	1
<del>▲</del>	<del>9 371658</del>	<del>(000000-</del>	<del>) Shield, Heat</del>	<del>1</del>
▲	10 10552	(000000-	) Fitting, Pipe, Plug, Pm02 Soc Head	1
▲	11 371669	(000000-	) Housing, Throttle, Lpg	1
▲	371718	(000000-	) Kit, Connector, Govnr	1
▲	12 371660	(000000-	) Fitting, Coolant Plug	1

**Fig. 27 - Gasoline EFI Breakdown, 371896**

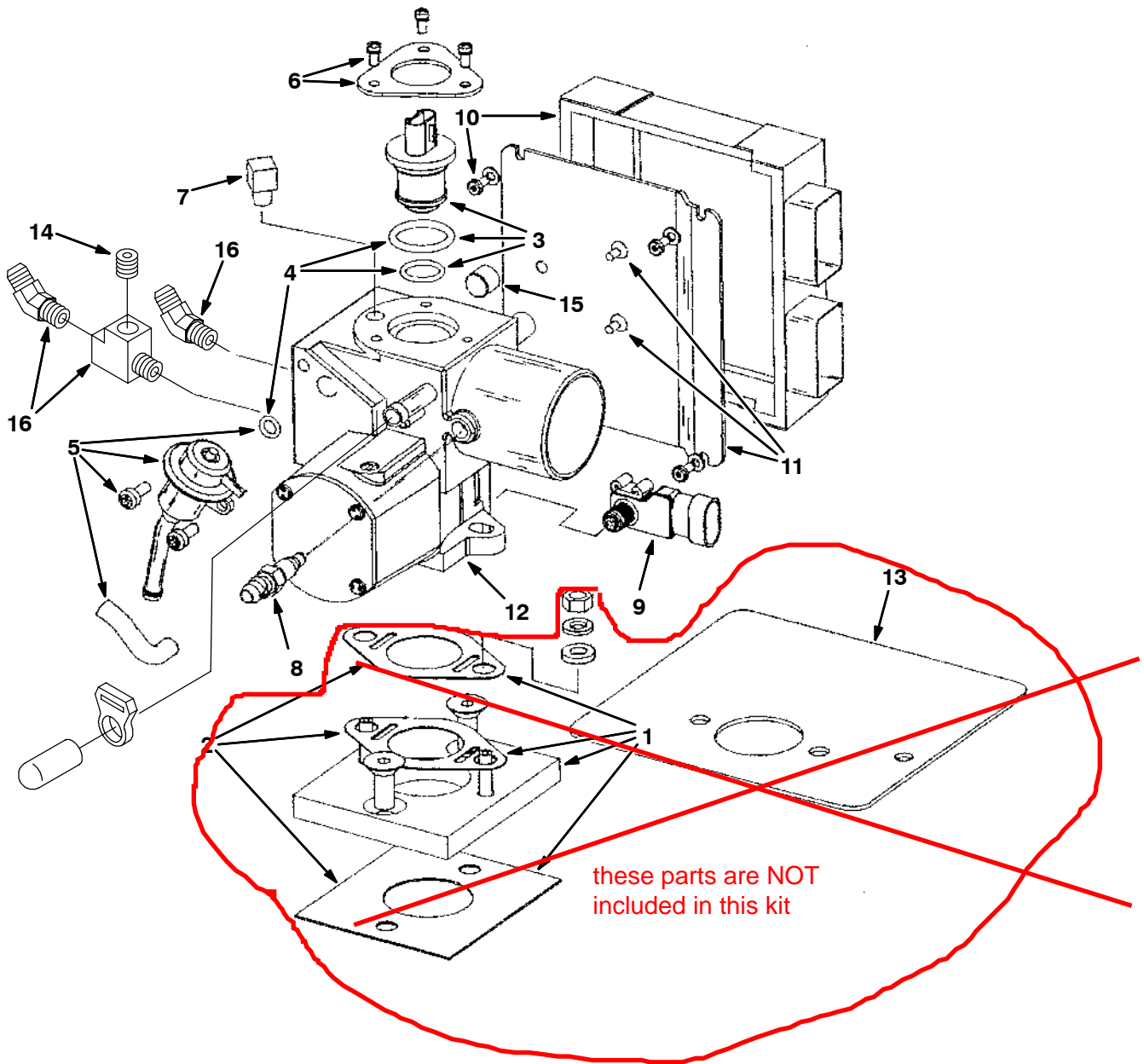


Fig. 27 - Gasoline EFI Breakdown, 371896

	Ref.	Part No.	Serial Number	Description	Qty.
▽		371896	(000000-	) Housing Assy, Throttle, Gas, [With Ecu]	1
<del>▲▽</del>	<del>1</del>	<del>371646</del>	<del>(000000-</del>	<del>) Kit, Adaptor, Manifold</del>	<del>1</del>
<del>▲▲</del>	<del>2</del>	<del>371898</del>	<del>(000000-</del>	<del>) Kit, Gasket, Manifold</del>	<del>1</del>
▲▽	3	371899	(000000-	) Injector, Gas, W/ Top And Bottom Org	1
▲▲	4	371649	(000000-	) Kit, Org, Injector And Reg, Gas	1
▲		371716	(000000-	) Kit, Connector, Gas Injector	1
▲	5	371908	(000000-	) Kit, Reg, Gas Press	1
▲	6	371651	(000000-	) Plate, Injector Mtg, W/ Screw	1
▲	7	15555-2	(000000-	) Fitting, Brs, E90, If05/Pm04	1
▲		371714	(000000-	) Kit, Connector, Coolant Sensor	1
▲		371715	(000000-	) Kit, Connector, Sensor, [lat]	1
▲	8	371653	(000000-	) Sensor, Temp	1
▲	9	371654	(000000-	) Sensor, Manifold Press	1
▲	10	371901	(000000-	) Control, Electronic, Gas	1
▲	11	391890	(000000-	) Plate, Mtg, W/ Screw, [Ecu], Gas	1
▲	12	371902	(000000-	) Housing, Throttle, Gas	1
▲		371718	(000000-	) Kit, Connector, Govnr	1
<del>▲</del>	<del>13</del>	<del>371658</del>	<del>(000000-</del>	<del>) Shield, Heat</del>	<del>1</del>
▲	14	10552	(000000-	) Fitting, Pipe, Plug, Pm02 Soc Head	1
▲	15	371660	(000000-	) Fitting, Coolant Plug	1
▲	16		(000000-	) Kit, Ftg, Coolant	1

**Fig. 28 - Gasoline EFI Breakdown, 371897**

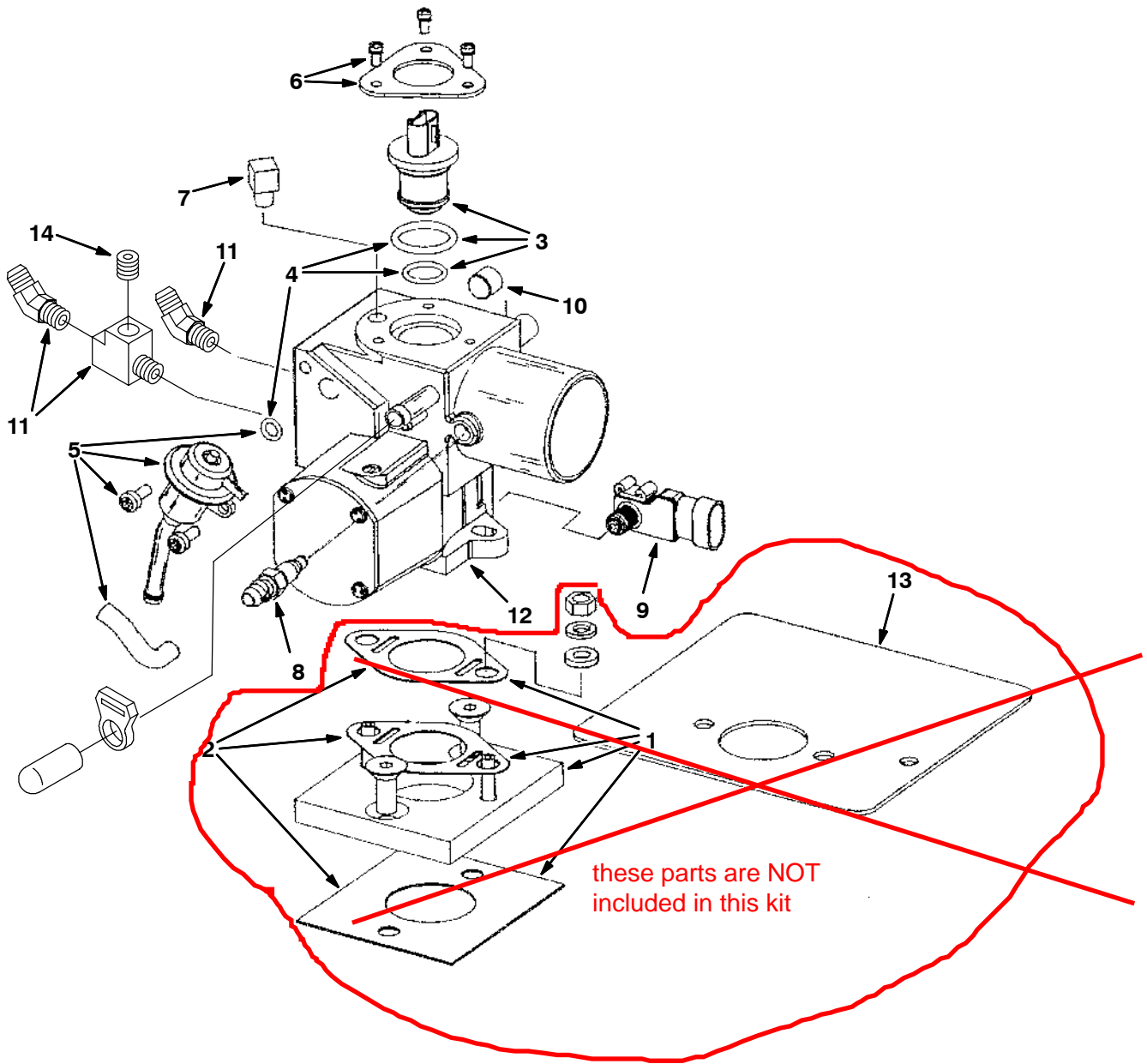




Fig. 28 - Gasoline EFI Breakdown, 371897

Ref.	Part No.	Serial Number	Description	Qty.
▽	371897	(000000-	) Housing Assy, Throttle, Gas, [Without Ecu]	1
<del>▲▽ 1</del>	<del>371897</del>	<del>(000000-</del>	<del>) Kit, Adaptor, Manifold</del>	<del>1</del>
<del>▲▲ 2</del>	<del>371898</del>	<del>(000000-</del>	<del>) Kit, Gasket, Manifold</del>	<del>1</del>
▲▽	3 371899	(000000-	) Injector, Gas, W/ Top And Bottom Org	1
▲▲	4 371649	(000000-	) Kit, Org, Injector And Reg, Gas	1
▲	371716	(000000-	) Kit, Connector, Gas Injector	1
▲	5 371908	(000000-	) Kit, Reg, Gas Press	1
▲	6 371651	(000000-	) Plate, Injector Mtg, W/ Screw	1
▲	7 15555-2	(000000-	) Fitting, Brs, E90, If05/Pm04	1
▲	371714	(000000-	) Kit, Connector, Coolant Sensor	1
▲	371715	(000000-	) Kit, Connector, Sensor, [lat]	1
▲	8 371653	(000000-	) Sensor, Temp	1
▲	9 371654	(000000-	) Sensor, Manifold Press	1
▲	10 371660	(000000-	) Fitting, Coolant Plug	1
▲	11	(000000-	) Kit, Ftg, Coolant	1
▲	12 371902	(000000-	) Housing, Throttle, Gas	1
▲	371718	(000000-	) Kit, Connector, Govnr	1
<del>▲</del>	<del>13 371658</del>	<del>(000000-</del>	<del>) Shield, Heat</del>	<del>1</del>
▲	14 10552	(000000-	) Fitting, Pipe, Plug, Pm02 Soc Head	1

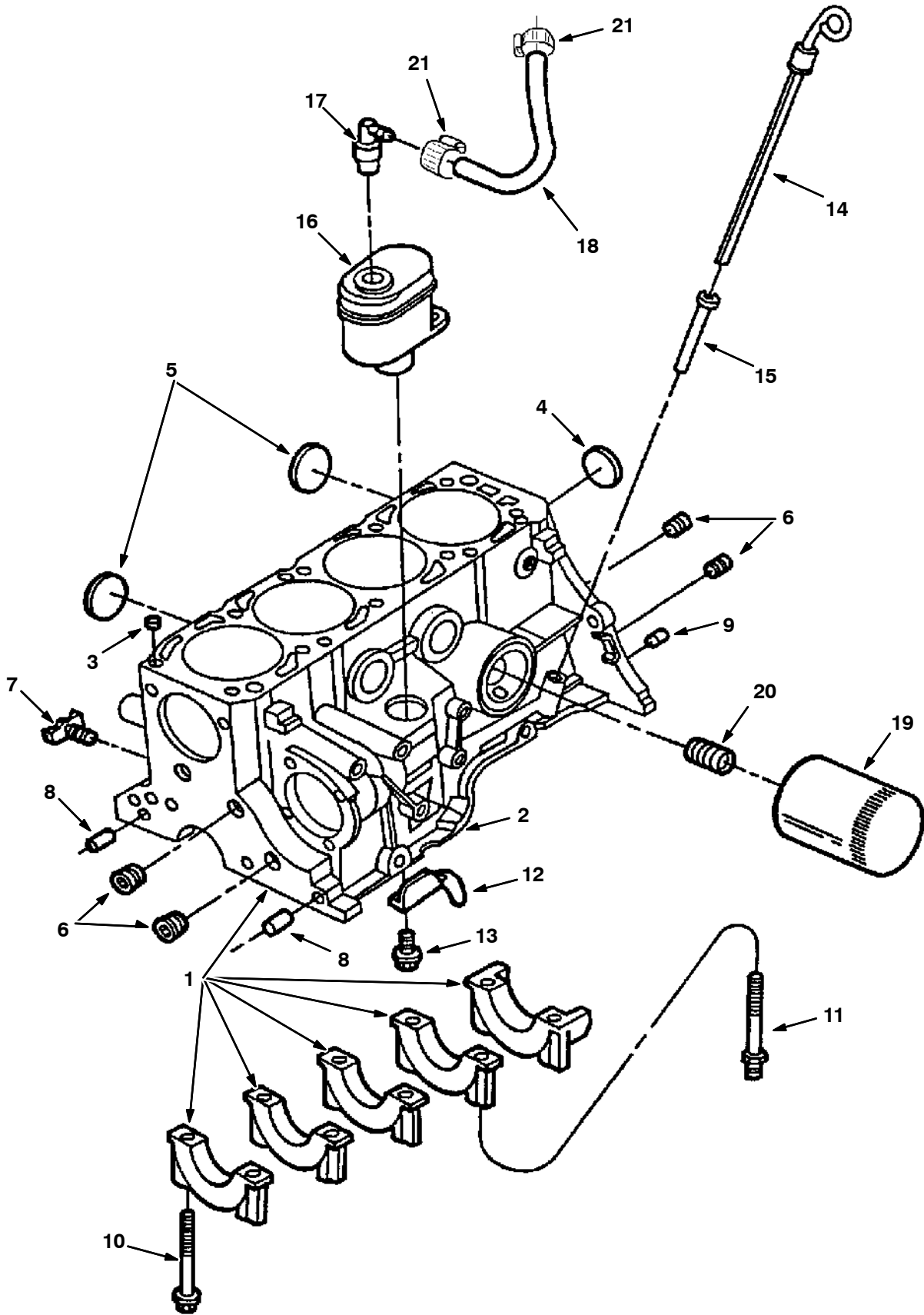


## SECTION 5

Contents	Page
Fig. 1 - Engine Block Group .....	5-2
Fig. 2 - Gaskets Group .....	5-4
Fig. 3 - Cylinder Head Group .....	5-6
Fig. 4 - Cylinder Front Cover Group .....	5-7
Fig. 5 - Starter Breakdown .....	5-8
Fig. 6 - Oil Pan Group .....	5-10
Fig. 7 - Crankshaft Group .....	5-12
Fig. 8 - Manifolds Group .....	5-14
Fig. 9 - Flywheel Group .....	5-16
Fig. 10 - Camshaft And Sprocket Group .....	5-18
Fig. 11 - Valve And Rocker Arm Cover Group ..	5-20
Fig. 12 - Piston And Connecting Rod Group ...	5-22
Fig. 13 - Water Pump, Thermostat and Fan Group .....	5-23
Fig. 14 - Ignition Group .....	5-24

## 2.3L ENGINE BREAKDOWN

Fig. 1 - Engine Block Group

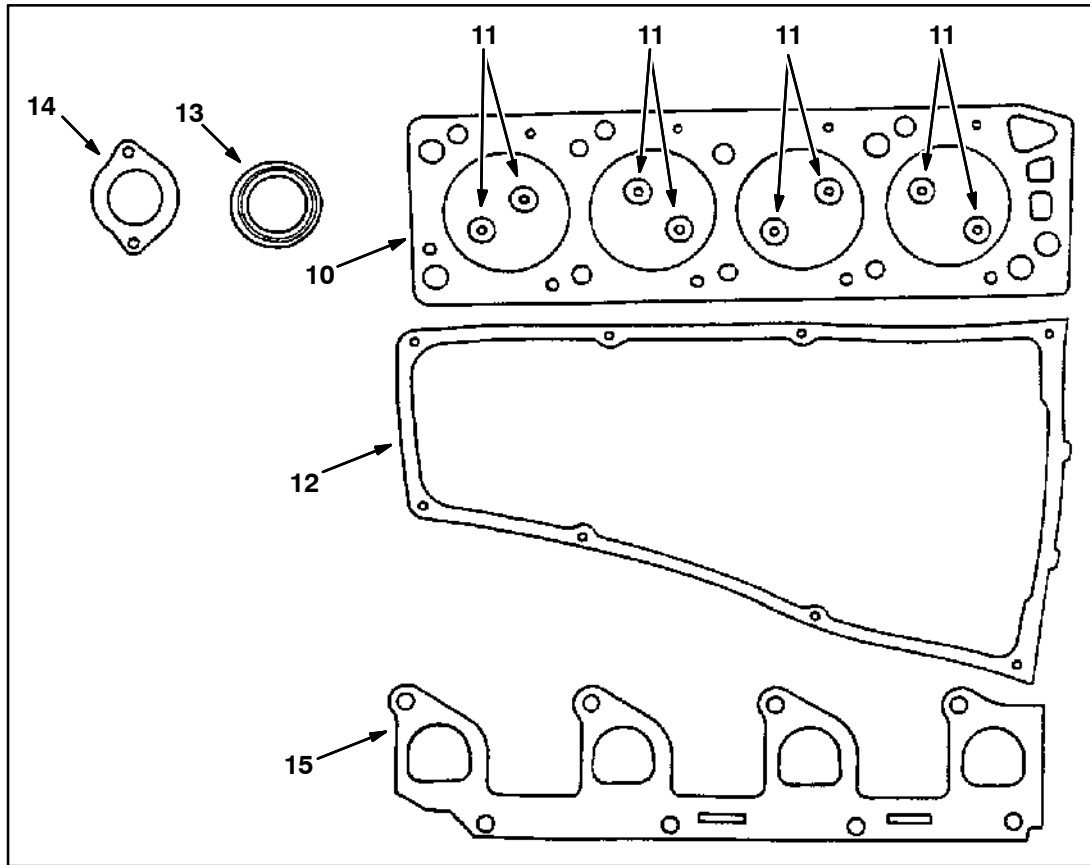
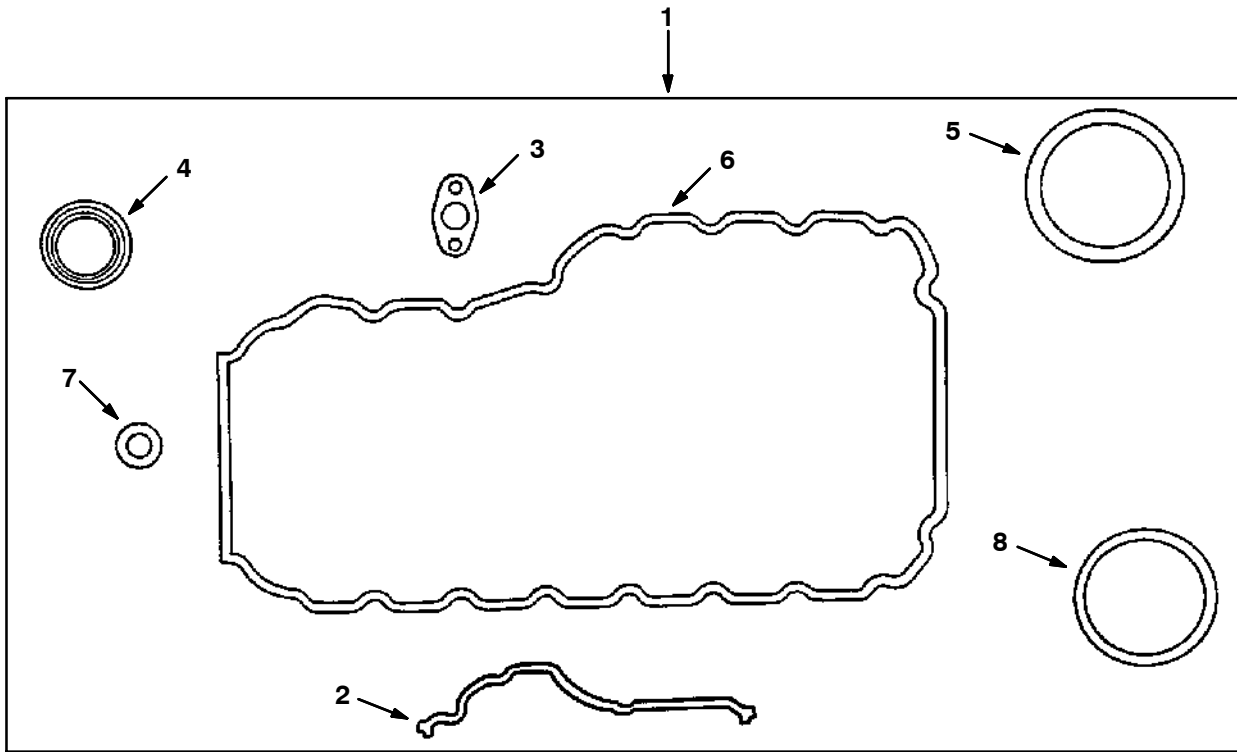


**Fig. 1 - Engine Block Group**

<b>Ref.</b>	<b>Part No.</b>	<b>Description</b>	<b>Qty.</b>
	1 84875	Cyl Block Assy (Short Block Assy)	1
▽	2 84876	Block Assy	1
▲	3 73958	Dowel	2
▲	4 73921	Plug-Std 2.078	1
▲	4 73920	Plug .06 O/S	-
▲	5 84877	Plug, 1.50 Cup	4
▲	6 73917	Plug 3/8 Npt	5
▲	6 36268	Plug 1/4 Npt	2
▲	7 54911-32	Draincock,End.Block	1
▲	8 84878	Dowel,Frnt Cover	2
▲	9 73975	Dowel	2
▲	10 73950	Bolt M12	9
▲	11 74516	Stud M12	1
▲	12 84879	Baffle	1
	13 84880	Bolt, M6X16.5mm	2
	14 10723	Indicator,Oil	1
	15 10724	Short Tube	1
	16 84882	Separator	1
	17 84883	Pcv Vlv Assy	1
	18 84884	Hose	1
	19 39703-2	Filter Element, Oil	1
	20 84962	Insert-Oilfilt	1
	21 54333	Clamp, Hose, Wormdrive	2

## 2.3L ENGINE BREAKDOWN

Fig. 2 - Gaskets Group

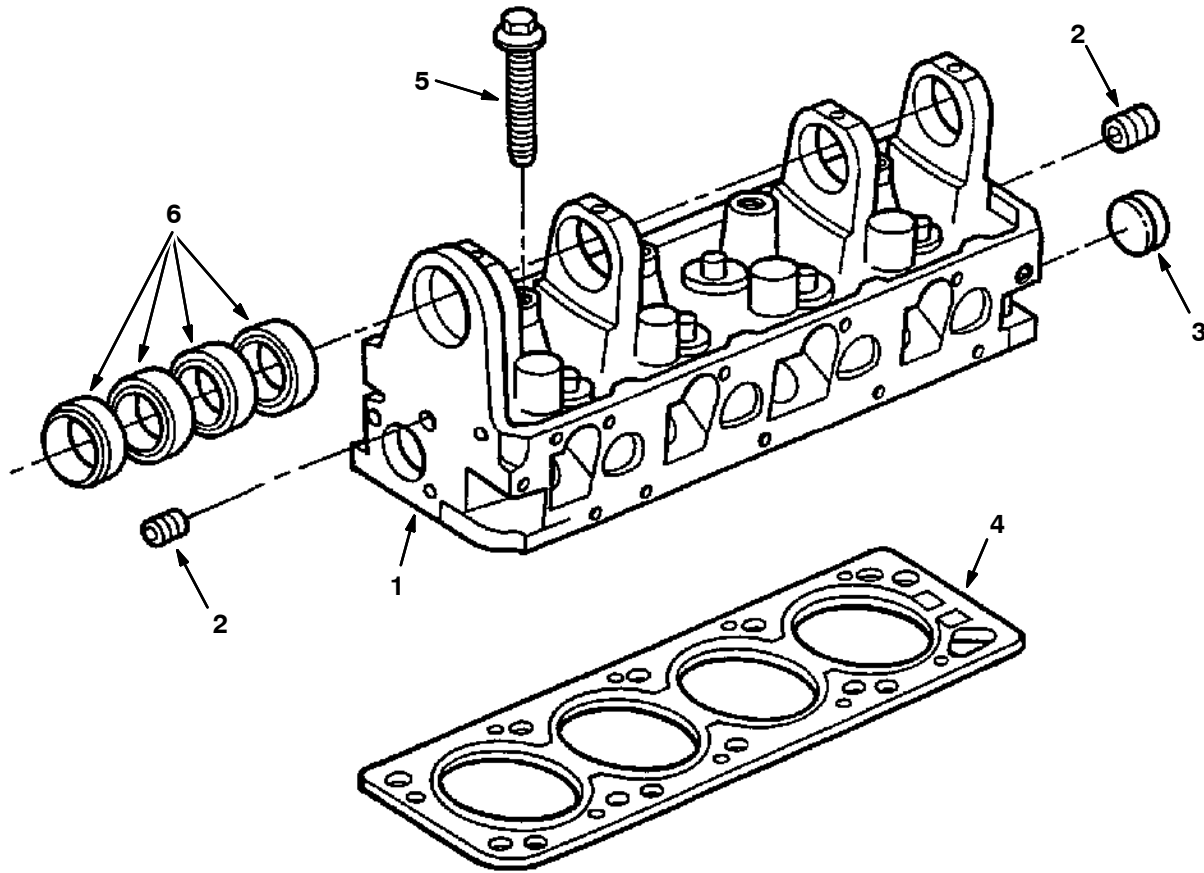


**Fig. 2 - Gaskets Group**

	<b>Ref.</b>	<b>Part No.</b>	<b>Description</b>	<b>Qty.</b>
▽	1	84885	Gskt Kit,Lower	1
▲	2	84886	Gskt,Frnt Cvr	1
▲	3	84887	Gskt,Pmp/Putube	1
▲	4	60833	Oil Seal, Front	1
▲	5	84888	Seal, Rear	1
▲	6	84889	Gasket,Oil Pan	1
▲	7	37157	Gasket Oil	1
▲	8	84983	Gskt,Water Pump	1
▽	9	84891	Gskt Kit,Upper	1
▲	10	60806	Gasket, Head	1
▲	11	84892	Seal,Valve Stem	8
▲	12	84893	Gskt,Rockr Cvr	1
▲	13	60833	Oil Seal, Front	1
▲	14	74538	Gskt-Waterout	1
▲	15	84894	Gskt,In.Manfld	1

## 2.3L ENGINE BREAKDOWN

Fig. 3 - Cylinder Head Group

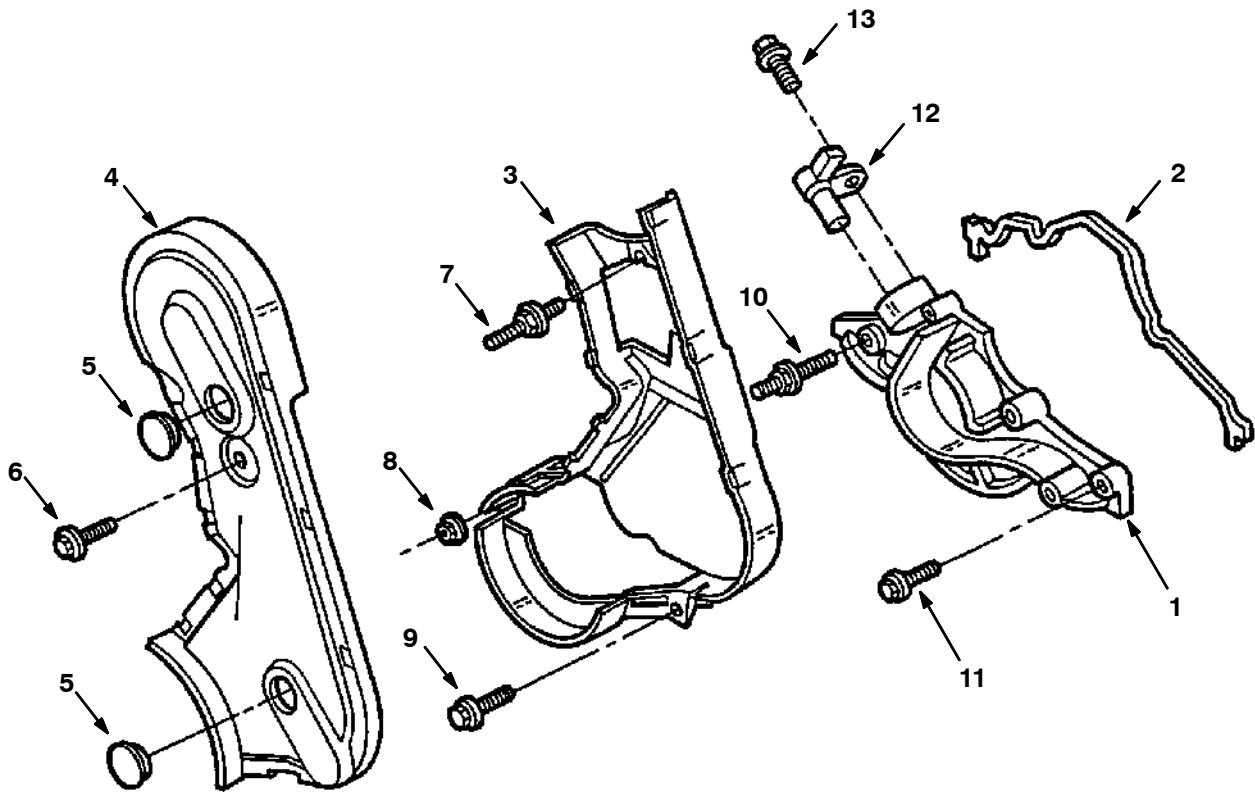


10445 - 800L, 8410, G, LP

Ref.	Part No.	Description	Qty.
1	84907	Head-W/O Valves	1
2	36268	Plug 1/4 Npt	2
3	84910	Plug, 1.50 Cup	1
4	60806	Gasket, Head	1
5	73927	Bolt M12	10
6	60817	Bearing Cam,	4
6	73936	Bearing, .016 Camshaft	-



Fig. 4 - Cylinder Front Cover Group



10446 - 800L, 8410, G, LP

Ref.	Part No.	Description	Qty.
1	84895	Lower Cover	1
2	84896	Gskt,Front Cvr	1
3	84897	Inner Cover	1
4	84898	Outer Cover	1
5	74536	Plug	2
6	84899	Bolt, M8 X 17 Schd	1
7	84900	Stud,M8X51.0mm	1
8	84901	Nut, M6	1
9	84902	Scr&Wsh,M6X22.5	1
10	84903	Stud,M6X61.8mm	1
11	84904	Bolt,M6X37.5mm	3
12	84905	Sensor,Crnksft	1
13	84906	Screw,M6X22.5mm	1

## 2.3L ENGINE BREAKDOWN

Fig. 5 - Starter Breakdown

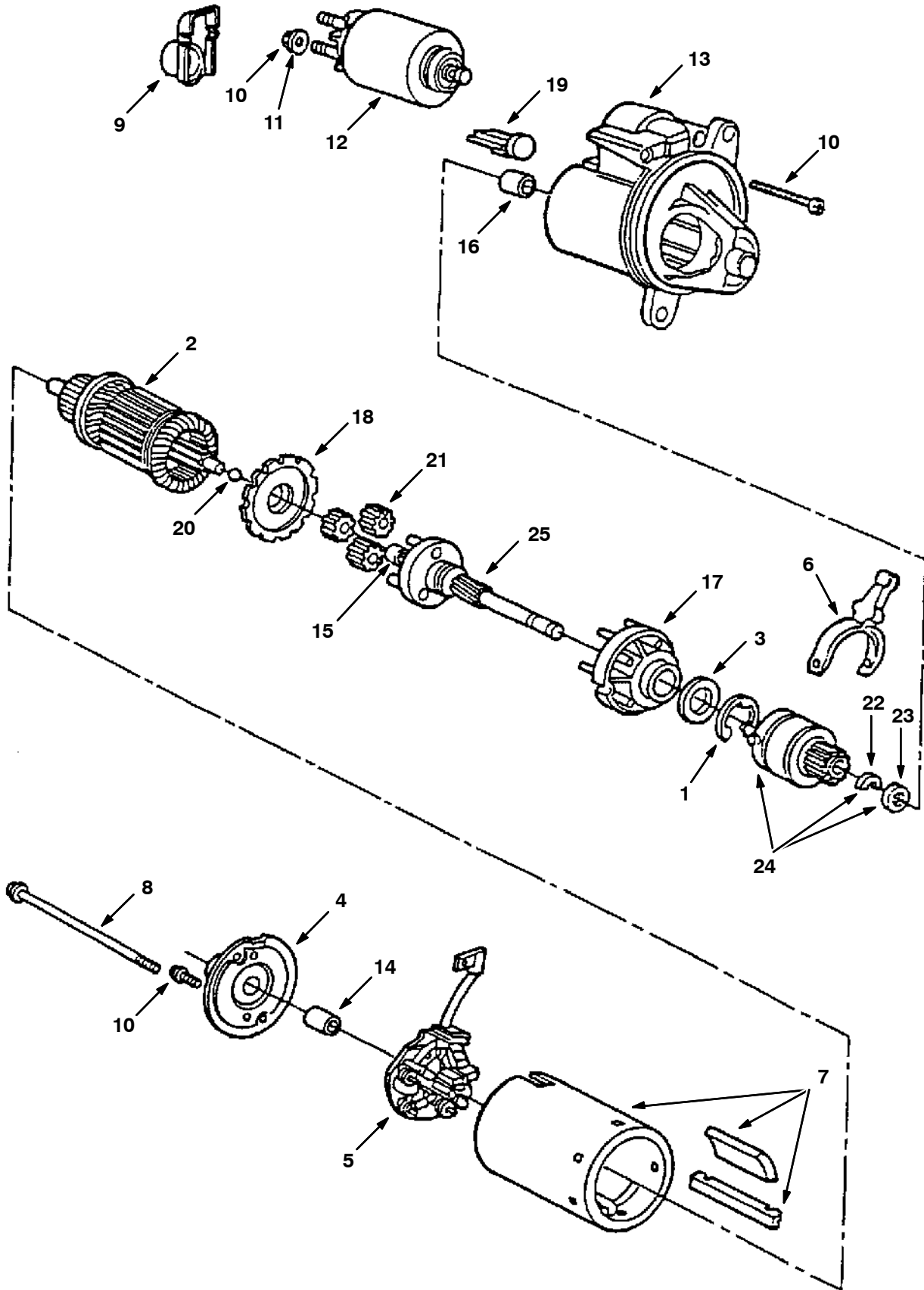


Fig. 5 - Starter Breakdown

	Ref.	Part No.	Description	Qty.
▽		60938	Motor, Starting, Perm Mag, 12V	1
▲	1	79640	Retaining Ring	1
▲	2	84999	Armature	1
▲	3	79956	Washer	1
▲	4	79628	Plate & Brg	1
▲	5	79629	Brush Holder	1
▲	6	79630	Lever	1
▲	7	79631	Frame&Mag.As	1
▲	8	79632	Bolt-Thru	2
▲	9	79970	Term.Cover	1
▲▽	10	79633	Kit-Attaching	1
▲▲	11	79957	Nut&Washer,M8	1
▲	12	370829	Solenoid	1
▲	13	79634	Hsg W/Brg	1
▲	14	79635	Bearing	1
▲	15	79960	Planet Bearing	3
▲	16	79961	Bearing	1
▲	17	79962	Statnry Gear	1
▲	18	79963	Retnr.Gear	1
▲	19	79964	Seal	1
▲	20	79965	Arm.Thr.Ball	1
▲	21	79966	Gear Assy	3
▲	22	79636	Ring-Drv.Stop	1
▲	23	79967	Retainer	1
▲	24	79638	Drive Assy	1
▲	25	79969	Shft Asy,Output	1

## 2.3L ENGINE BREAKDOWN

Fig. 6 - Oil Pan Group

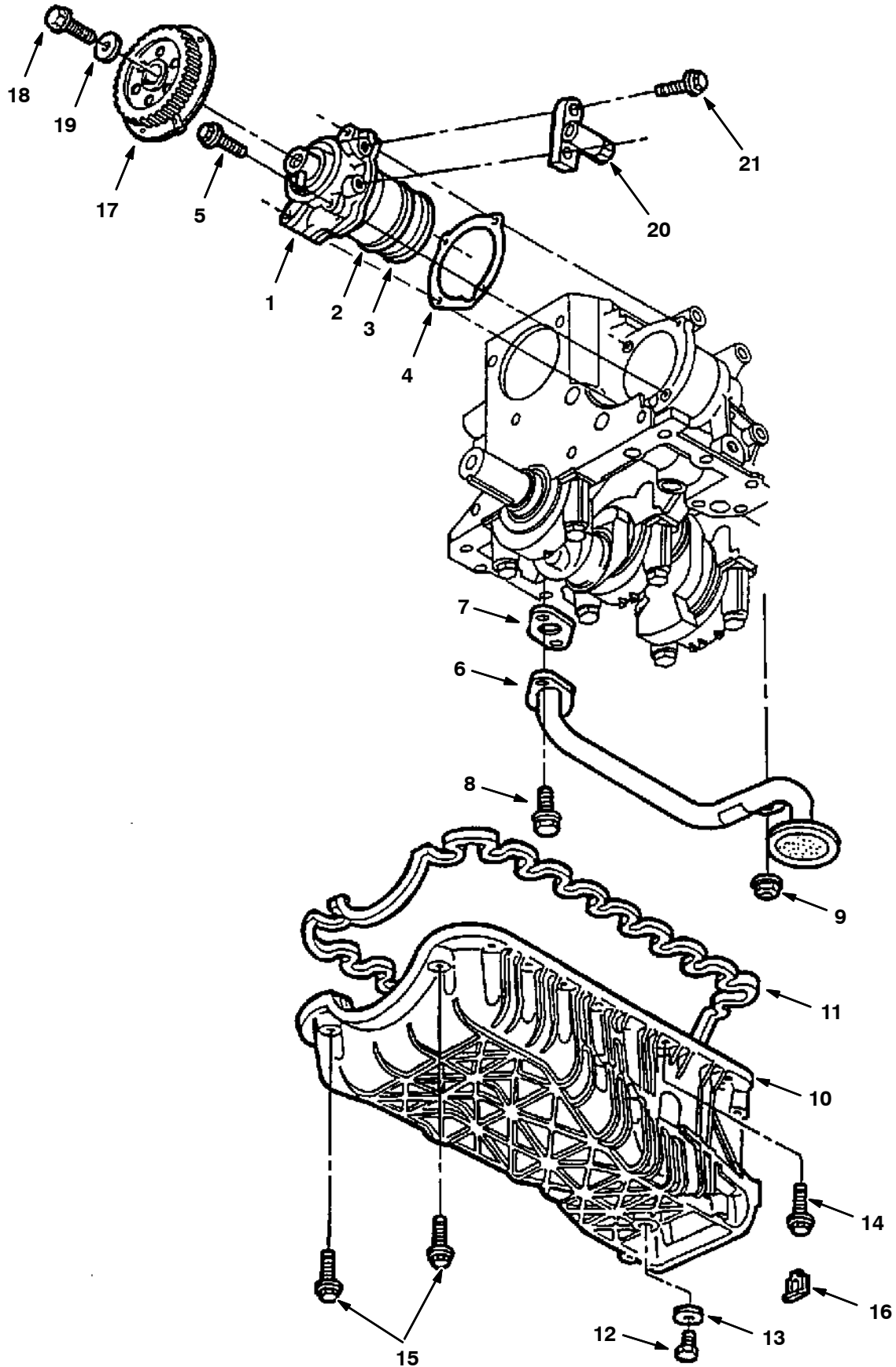


Fig. 6 - Oil Pan Group

Ref.	Part No.	Description	Qty.
1	84963	Oil Pump	1
2	84964	O-Ring,2.375	1
3	84965	O-Ring-2.250	1
4	84966	Gskt,Oilpmp/Blk	1
5	84967	Bolt,M6X47.5mm	4
6	84968	Oil Pickup Tube	1
7	84969	Gskt,Pu Tube	1
8	84970	Bolt,M8X20.0mm	2
9	84971	Nut,M10	1
10	84972	Oil Pan Assy	1
11	84889	Gasket,Oil Pan	1
12	37127	Oil Plug	1
13	37157	Gasket Oil	1
14	84973	Bolt,M6X27.5mm	16
15	84974	Bolt,M6X52.5mm	2
16	84975	Oil Pan Spacer	-
16	84976	Oil Pan Spacer	-
16	84977	Oil Pan Spacer	-
17	84978	Oil Pmp Sprkt	1
18	84979	Bolt,M10X40.0mm	1
19	74561	Washer	1
20	84980	Camsft.Sensor	1
21	84981	Bolt,M5X20.0M	2

Fig. 7 - Crankshaft Group

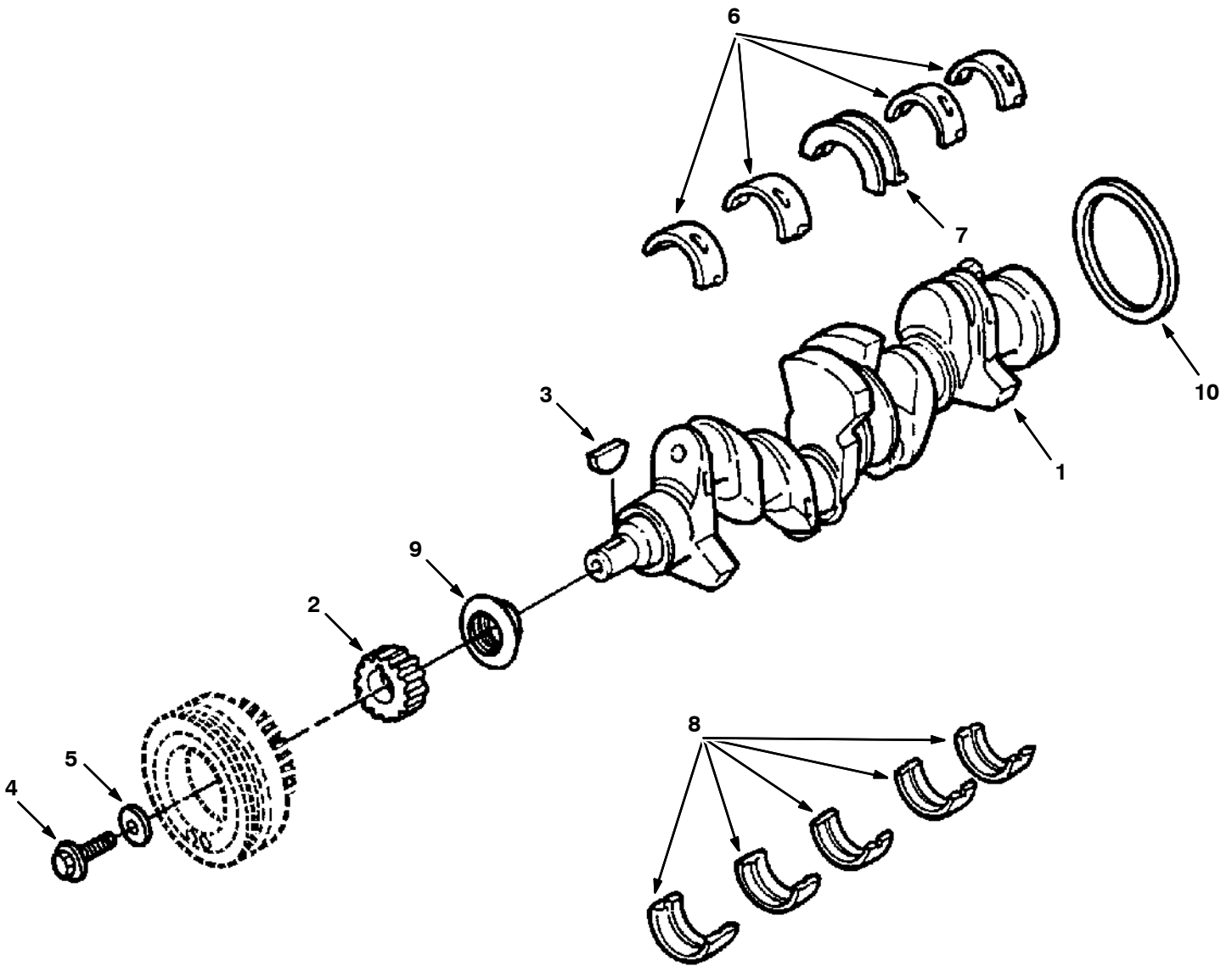


Fig. 7 - Crankshaft Group

Ref.	Part No.	Description	Qty.
1	84923	Crankshaft Asy	1
2	84924	Crnksft Sprckt	1
3	84925	Crnkshaft Key	1
4	84926	Bolt,M14X55.0M	1
5	84927	Wash M15 1.53Od	1
6	84928	Main Brg,Stdred	4
6	84929	Main Brg,Stdblue	-
6	84930	Main Brg,.002 Upper	-
6	84931	Main Brg,.010 Upper	-
6	84932	Kit, Bearing Crankshaft	-
6	84933	Main Brg,.030 Upper	-
7	84934	Thr.Brg,Stdred	1
7	84937	Thr.Brg,Stdblue	-
7	84935	Thr.Brg,.002 Upper	-
7	84938	Thr.Brg,.010 Upper	-
7	84940	Thr.Brg,.030 Upper	-
8	84941	Main Brg,Stdred	5
8	84942	Main Brg,Stdblue	-
8	84943	Main Brg,.002 Lower	-
8	84944	Main Brg,.010 Lower	-
8	84946	Main Brg,.030 Lower	-
9	60833	Oil Seal, Front	1
10	84947	Crnksft Seal-Rear	1

## 2.3L ENGINE BREAKDOWN

Fig. 8 - Manifolds Group

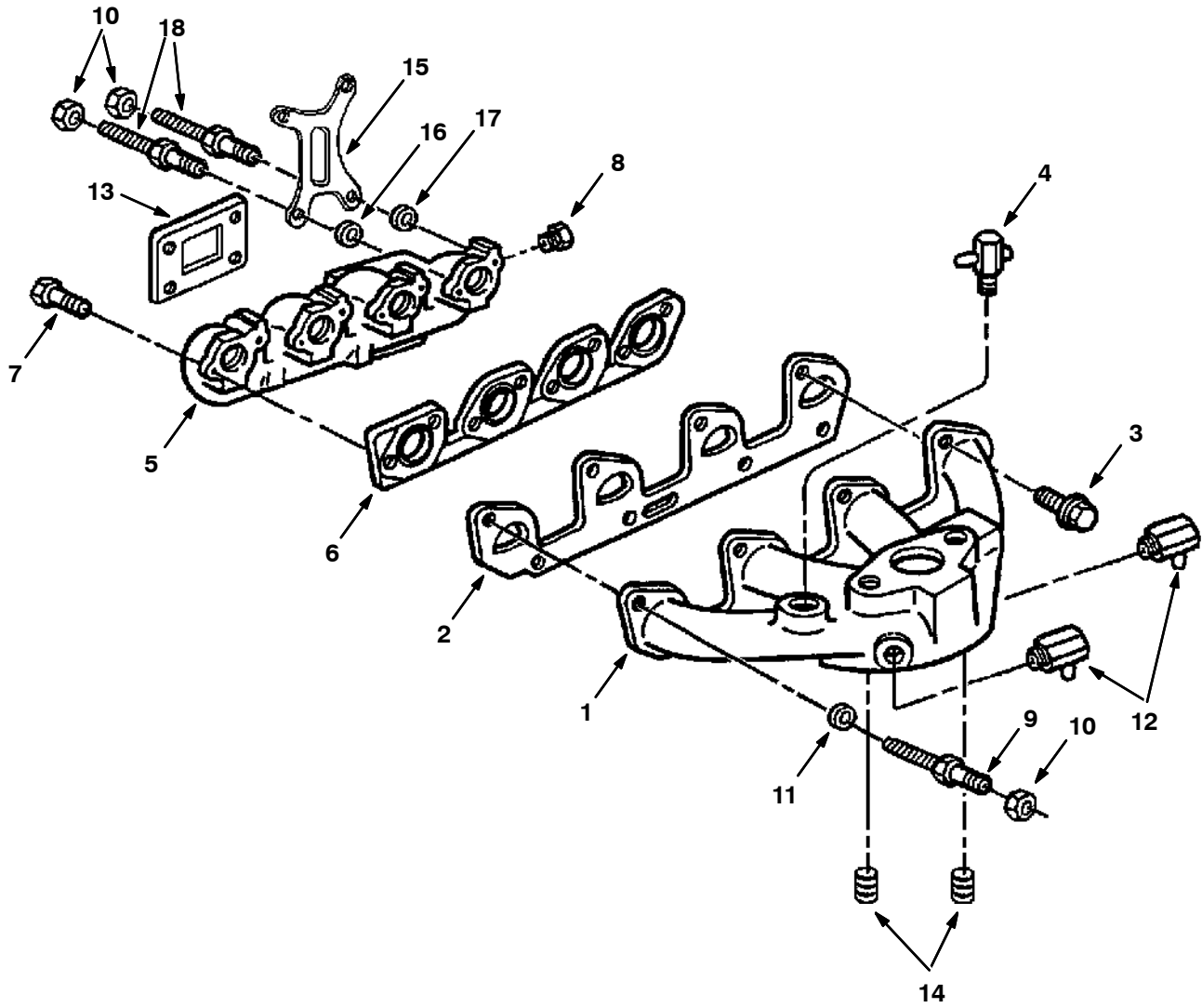
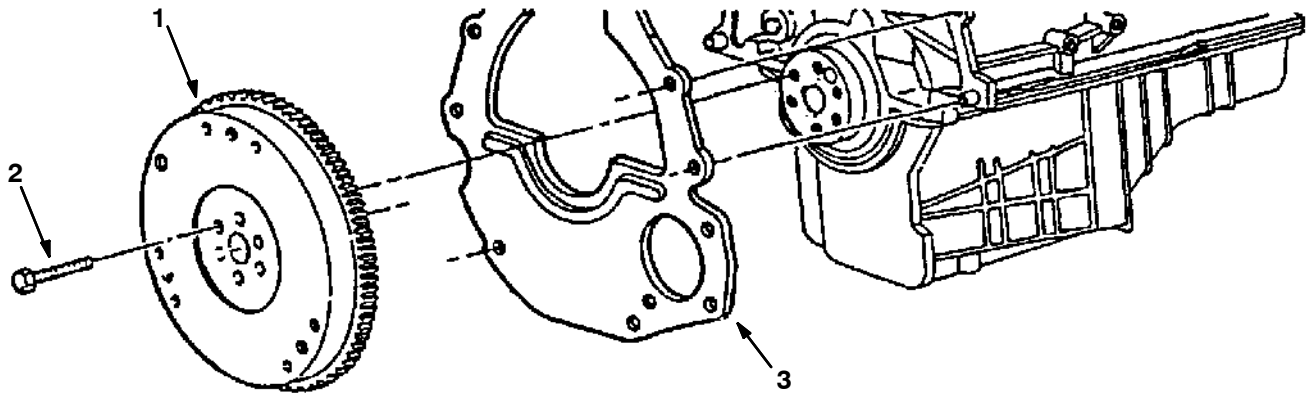




Fig. 8 - Manifolds Group

Ref.	Part No.	Description	Qty.
1	84990	Int.Manifold	1
2	84991	Gskt,Int.Mnflid	1
3	84992	Bolt,M8X25.0mm	7
4	74527	Vac.Fitting	1
5	74509	Exh.Manifold	1
6	84995	Gskt,Exh.Mnflid	1
7	84996	Bolt,M10X55.0M	6
8	84997	Plug, 1/2Npt	1
9	79972	Stud	1
10	79973	Nut M8-1.25	3
11	79974	Spacer	1
12	84985	Elbow,90 deg	2
13	36048	Gasket, Exh. Flange	1
14	73917	Plug 3/8 NPT	2
15	79976	Lifting Eye	1
16	21792	Spacer	1
17	21793	Spacer	1
18	21794	Stud	2

Fig. 9 - Flywheel Group



**Fig. 9 - Flywheel Group**

<b>Ref.</b>	<b>Part No.</b>	<b>Description</b>	<b>Qty.</b>
1	370103	Replm Kit, Flywheel	1
	370102	Flywheel	1
	84659	Flywheel Ring Gear	1
2	64038	Bolt	12
3	83669	Rear Plate	12

## 2.3L ENGINE BREAKDOWN

Fig. 10 - Camshaft And Sprocket Group

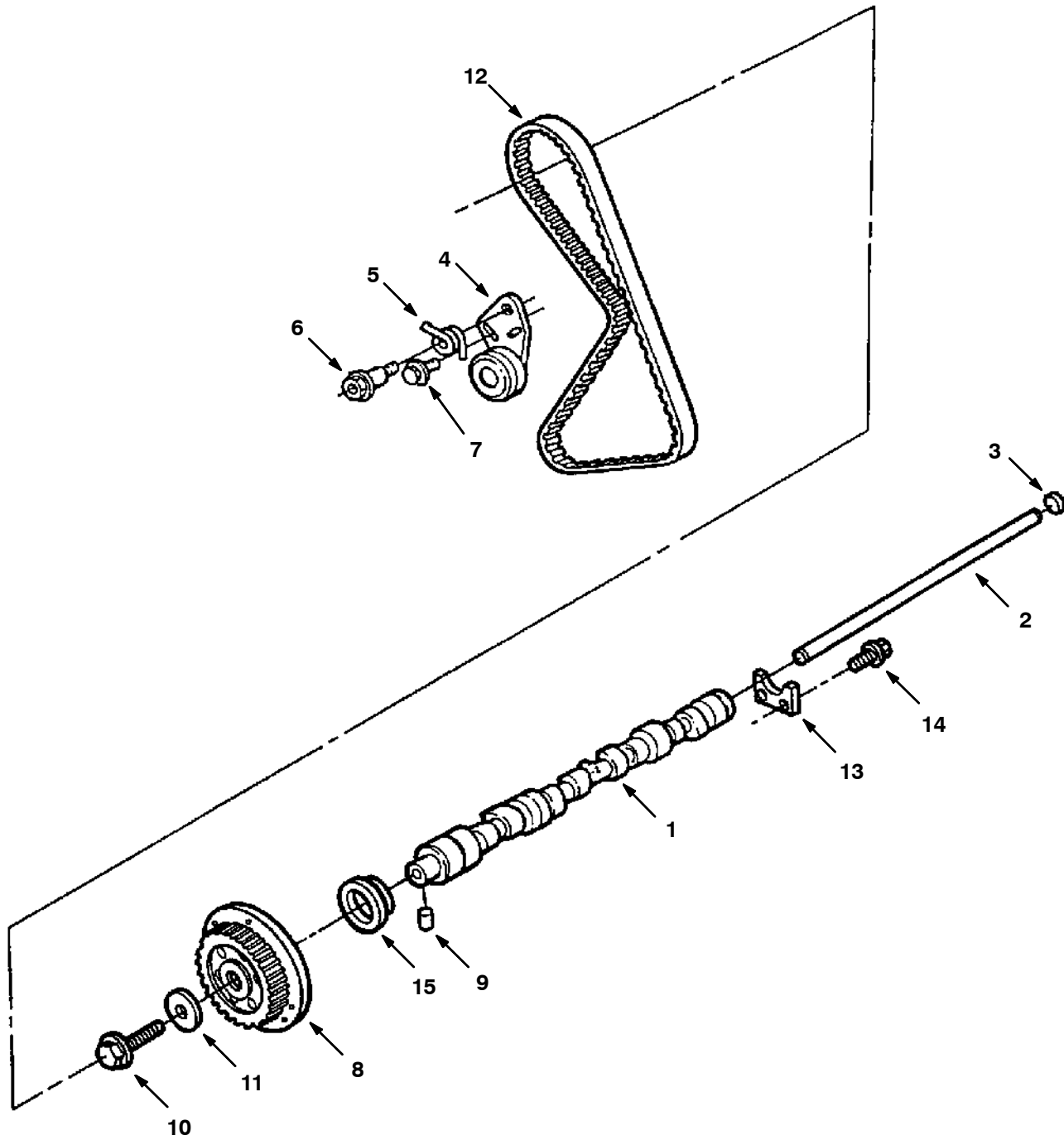
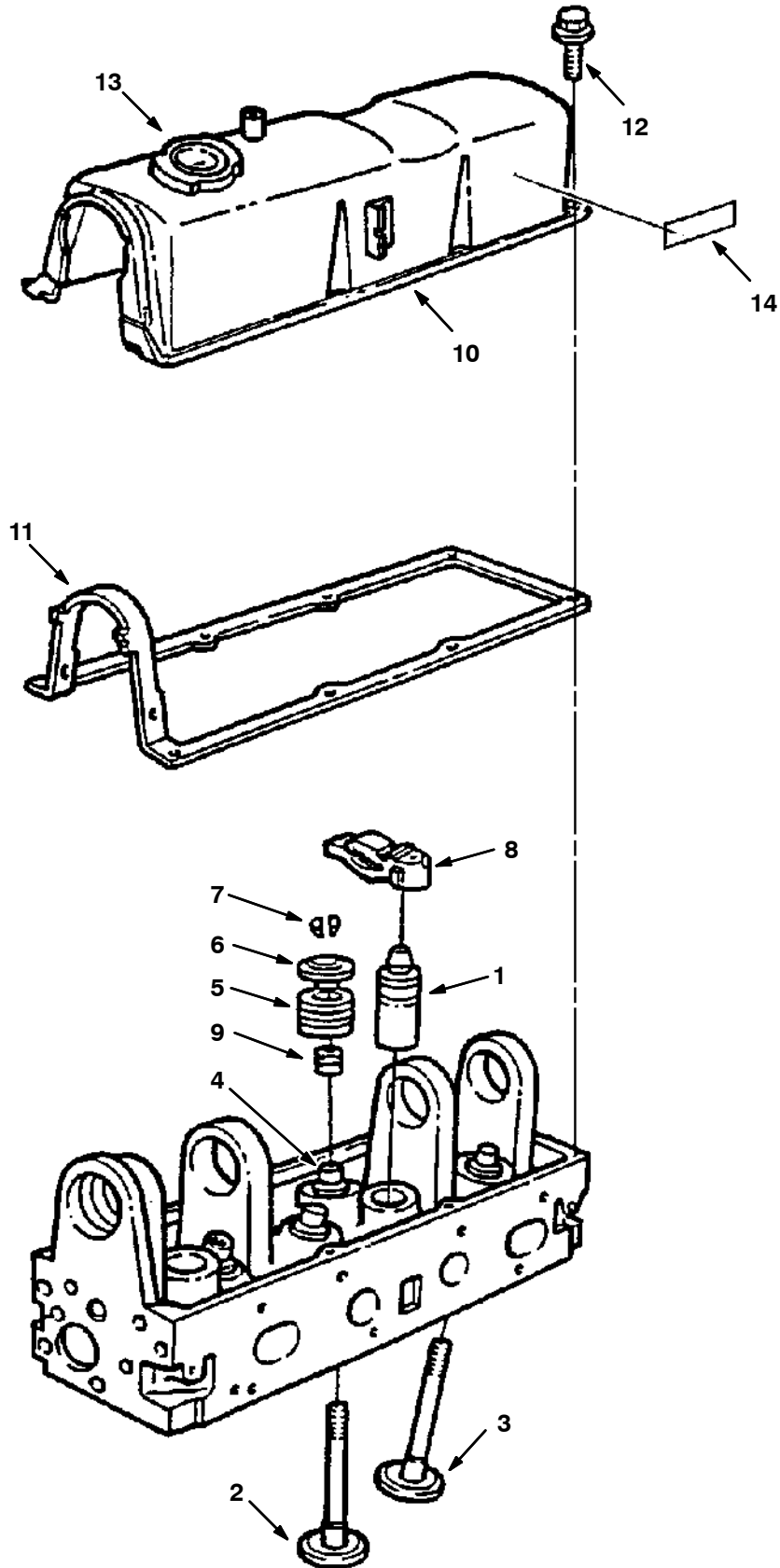


Fig. 10 - Camshaft And Sprocket Group

Ref.	Part No.	Description	Qty.
1	84915	Camshaft	1
2	84916	Rod	1
3	84917	Plug	1
4	73967	Tensioner, Arm	1
5	73970	Spring, Tension	1
6	84919	Bolt, Tens. Sprn	1
7	74552	Bolt	1
8	84978	Camshft Sprckt	1
9	84921	Pin, 1/4X.32	1
10	74545	Bolt M12X45	1
11	73937	Washer	1
12	84936	Timing Belt	1
13	73954	Plate	1
14	74548	Scr&Wash M6	2
15	60833	Oil Seal, Front	1

## 2.3L ENGINE BREAKDOWN

Fig. 11 - Valve And Rocker Arm Cover Group

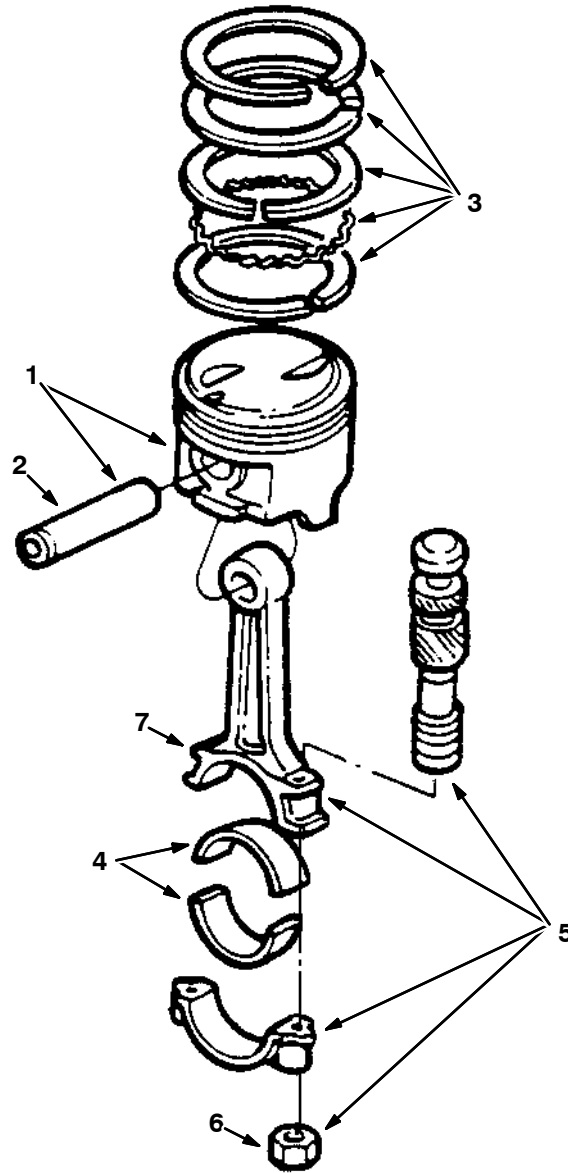


**Fig. 11 - Valves And Rocker Arm Cover Group**

<b>Ref.</b>	<b>Part No.</b>	<b>Description</b>	<b>Qty.</b>
1	84950	Tap.Assy-Valve	8
2	84951	Std.Exh.Valve	4
3	84952	Std.Int.Valve	4
4	84953	Valve Guide Bushing	-
5	84954	Valve Spring	8
6	84955	Valve Spring Retainer	8
7	84956	Valve Spring Key	16
8	84957	Valve Rocker Arm	8
9	84958	Valve Stem Seal	8
10	370876	Valve Rocker Arm Cover	1
11	73995	Gasket,Rocker Cover	1
12	84961	Scr&Wsh,M6X15.0M	8
13	60836	Breather Cap	1
14	36164	Warning Label, Starter	1

## 2.3L ENGINE BREAKDOWN

Fig. 12 - Piston And Connecting Rod Group

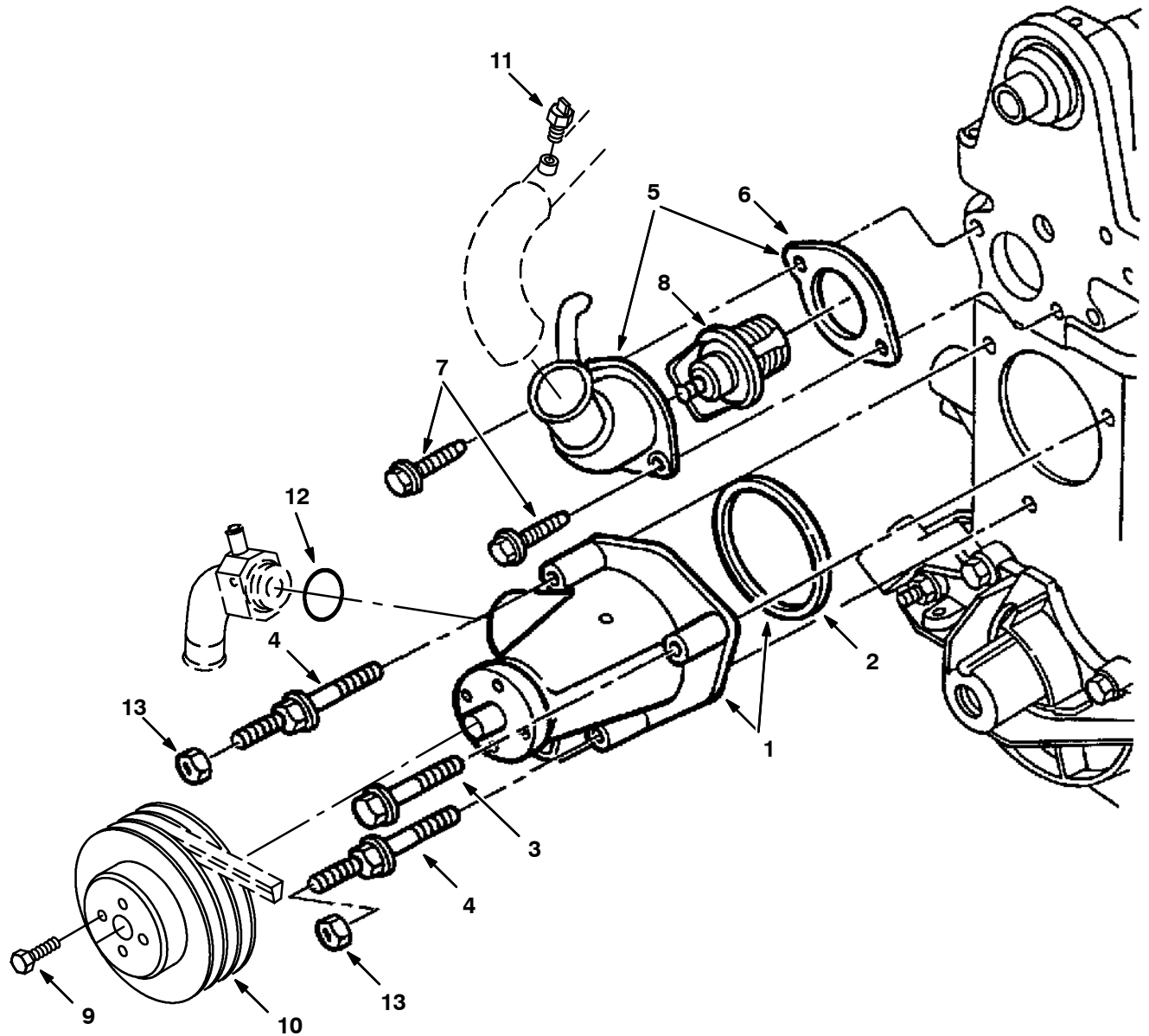


10447 - 800L, 8410, G, LP

Ref.	Part No.	Description	Qty.	
1	84911	Piston, Std.	4	
2	84912	Piston Pin	4	
3	84913	Ring Set,Std.	2	
4	60812	Bearing	8	
4	73977	Brg-Conn.Rod	-	
4	73978	Brg-Conn.Rod	-	
4	73979	Brg-Conn.Rod	-	
4	73980	Brg-Conn.Rod	-	
4	73981	Brg-Conn.Rod	-	
4	73982	Brg-Conn.Rod	-	
▽	5	84914	Connecting Rd	4
▲	6	60813	Nut, Conrod-8	8
▲	7	60814	Bolt-Conrod-4	8



Fig. 13 - Water Pump, Thermostat and Fan Group

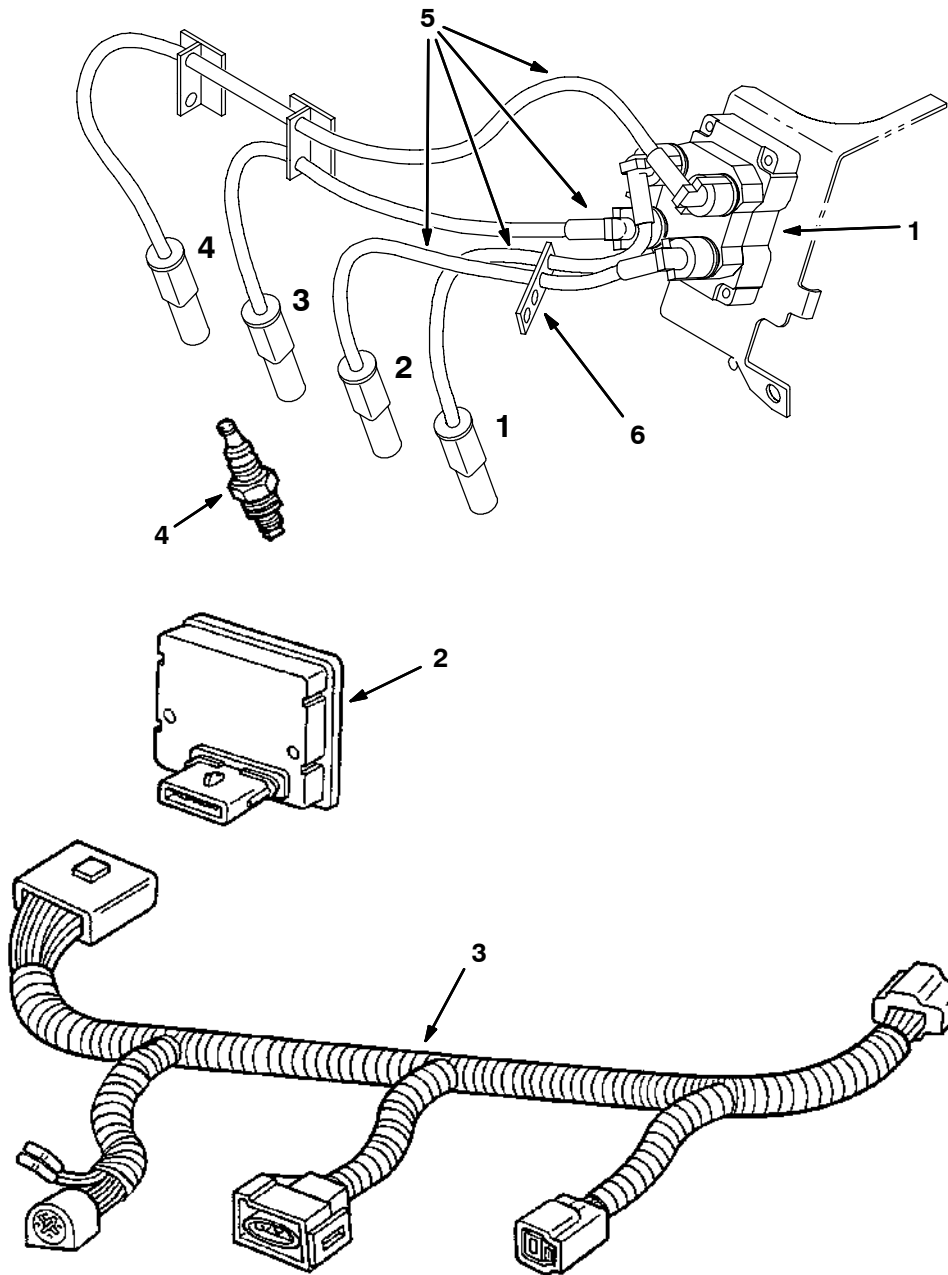


10528 - 800L, 8410, G, LP

	Ref.	Part No.	Description	Qty.
▽	1	84982	Water Pump	1
▲	2	84983	Gskt,Water Pump	1
	3	84984	Bolt,M8X53.0mm	1
	4	84998	Stud	2
▽	5	73996	Water Outlet	1
▲	6	74538	Gasket Water Outlet Connection	1
	7	84988	Bolt,M8X18.0M	2
	8	84987	Therm 190 W/Gsk	1
	9	84994	Bolt, M8X12.0mm	1
	10	36014	Sheave, Water Pump	1
	11	84989	Temperature sensor	1
	12	79975	O-Ring, Water Pump Adaptor	1
	13	84993	Locknut	2

## 2.3L ENGINE BREAKDOWN

Fig. 14 - Ignition Group



10524-350562 - 800L, 8410, G, LP

Ref.	Part No.	Description	Qty.
1	83732	Ignition Coil	1
2	83676	Ignition Module	1
3	83707	Wire Harness	1
4	60846	Spark Plug	4
5	83677	Wire Assy, Spark Plug	1
6	84882	Separator	1

## SECTION 6

<b>Contents</b>	<b>Page</b>
Fig. 1 - Engine Block Group .....	6-2
Fig. 2 - Gaskets Group .....	6-4
Fig. 3 - Cylinder Head Group .....	6-6
Fig. 4 - Cylinder Front Cover Group .....	6-7
Fig. 5 - Starter Breakdown .....	6-8
Fig. 6 - Oil Pan Group .....	6-10
Fig. 7 - Crankshaft Group .....	6-12
Fig. 8 - Manifolds Group .....	6-14
Fig. 9 - Flywheel Group .....	6-16
Fig. 10 - Camshaft And Sprocket Group .....	6-18
Fig. 11 - Valve And Rocker Arm Cover Group ..	6-20
Fig. 12 - Piston And Connecting Rod Group ...	6-22
Fig. 13 - Water Pump, Thermostat and Fan Group .....	6-23
Fig. 14 - Ignition Group .....	6-24

## 2.5L ENGINE BREAKDOWN

Fig. 1 - Engine Block Group

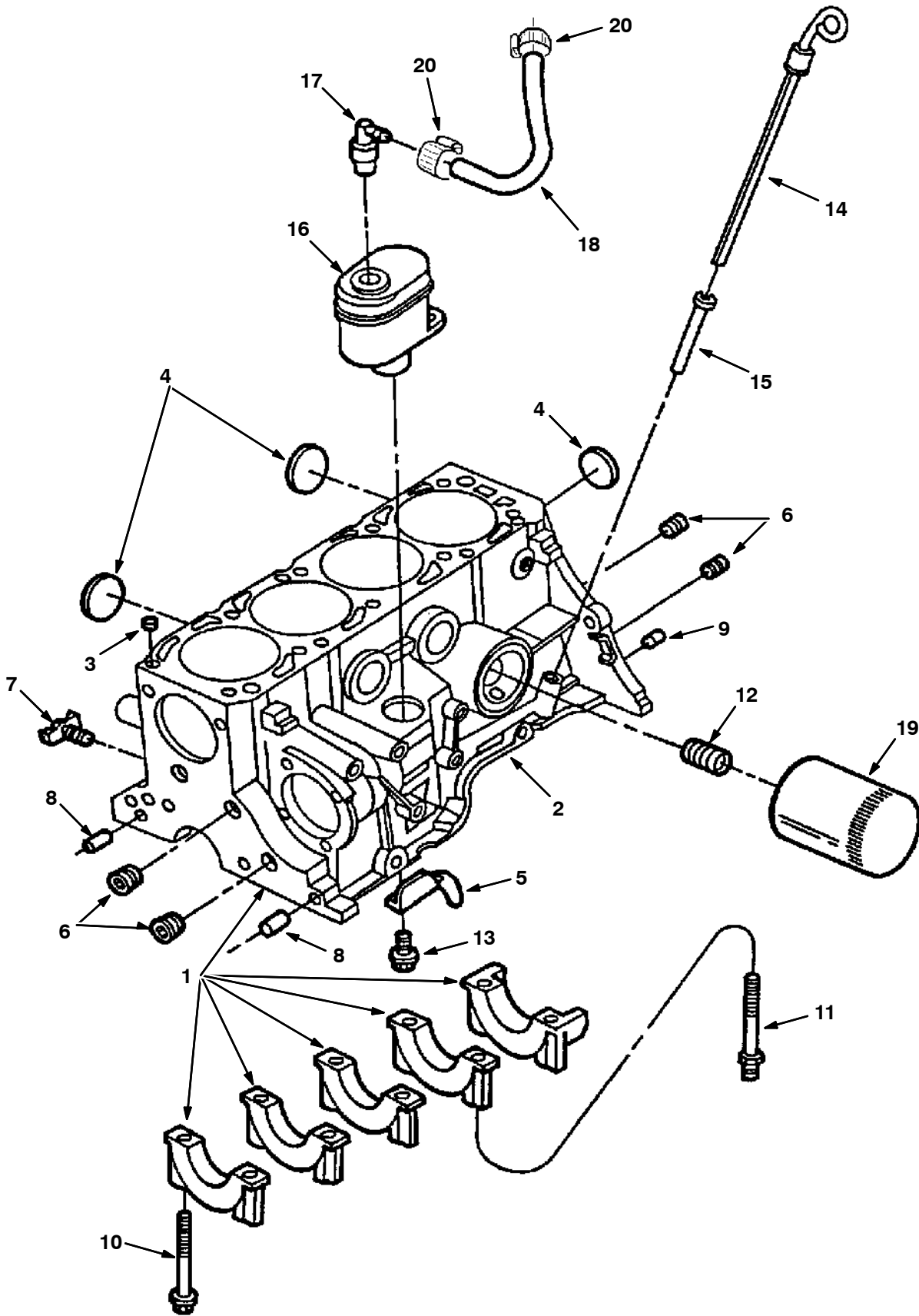
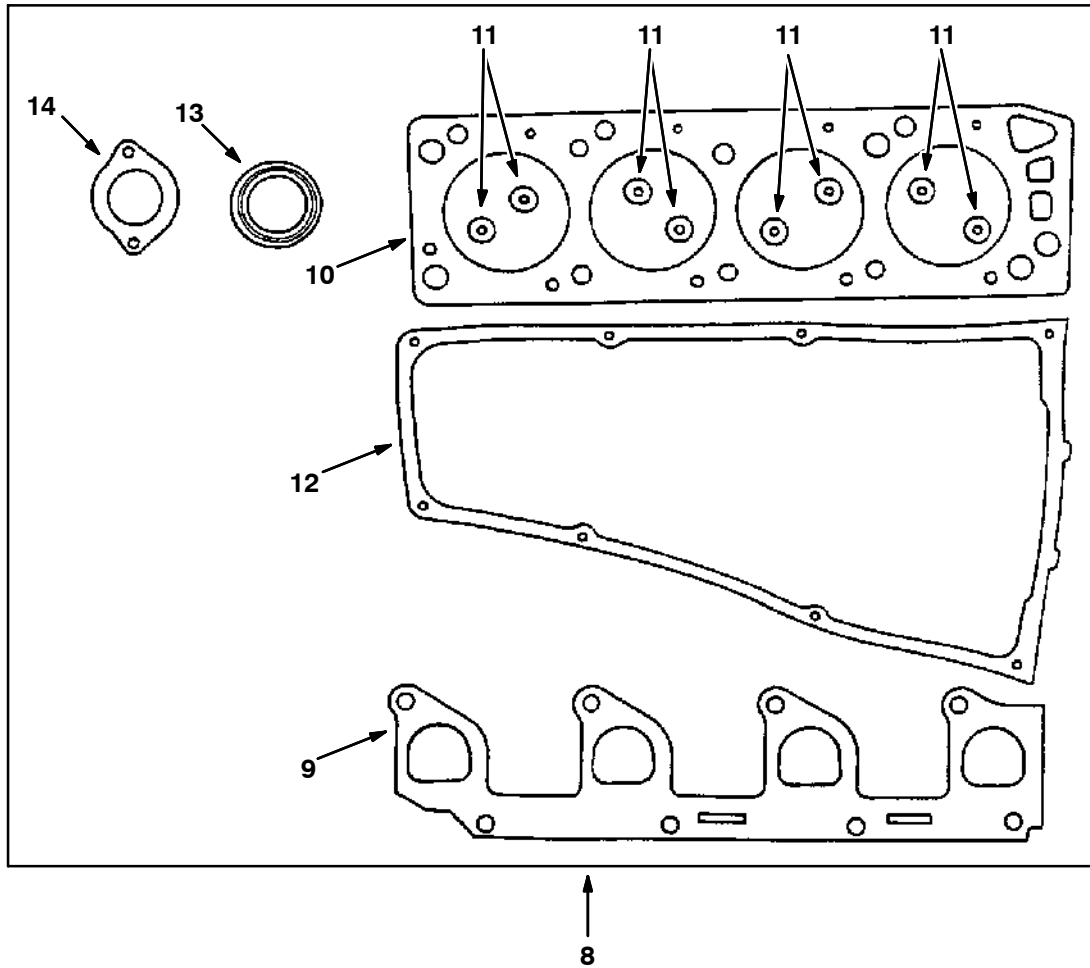
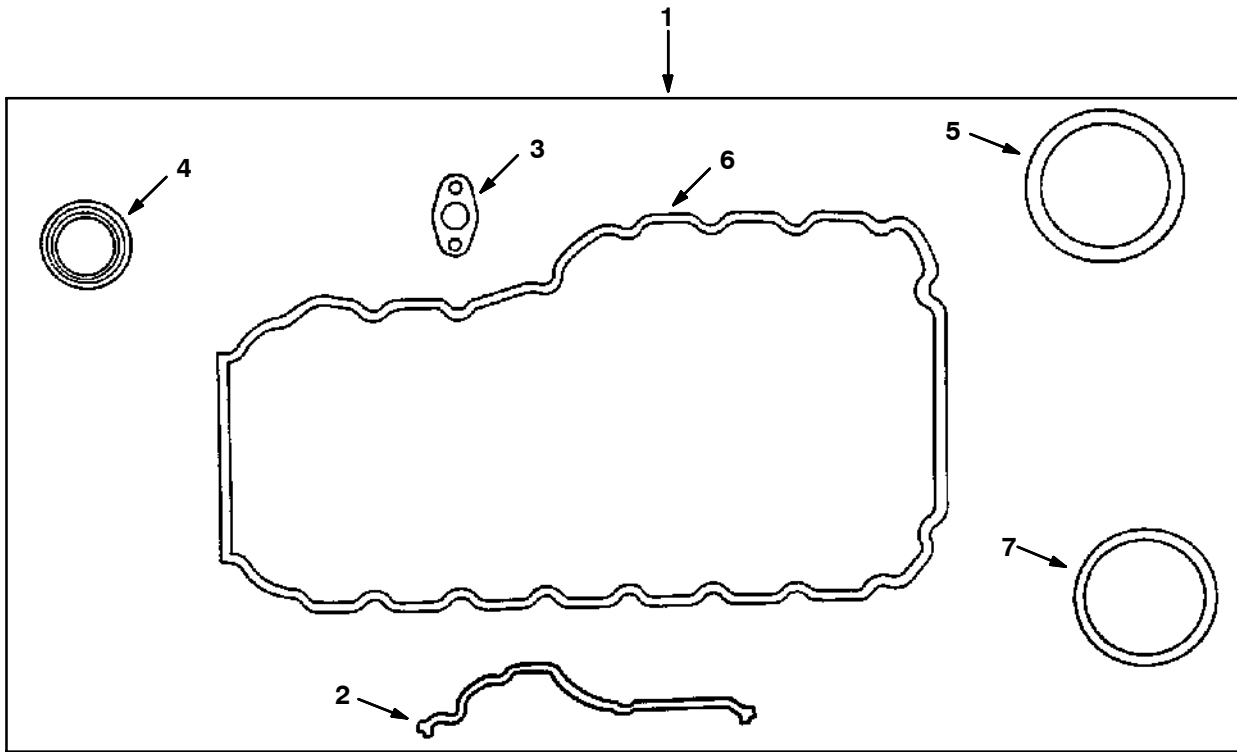


Fig. 1 - Engine Block Group

	Ref.	Part No.	Description	Qty.
	1	370847	Cyl Block Assy (Short Block Assy)	1
▽	2	370848	Block Assy	1
▲	3	73958	Dowel	2
▲	4	73921	Plug-Std 2.078	5
▲	4	73920	Plug .06 O/S	-
▲	5	84879	Baffle	1
▲	6	73917	Plug 3/8 Npt	5
▲	6	36268	Plug 1/4 Npt	2
▲	7	54911-32	Draincock,End.Block	1
▲	8	84878	Dowel,Frnt Cover	2
▲	9	370873	Dowel	2
▲	10	73950	Bolt M12	9
▲	11	74516	Stud M12	1
	12	84962	Insert-Oilfilt	1
	13	84880	Bolt, M6X16.5mm	2
	14	370850	Indicator,Oil	1
	15	10724	Short Tube	1
	16	84882	Separator	1
	17	84883	Pcv Vlv Assy	1
	18	84884	Hose	1
	19	39703-2	Filter Element, Oil	1
	20	54333	Clamp, Hose, Wormdrive	2

## 2.5L ENGINE BREAKDOWN

Fig. 2 - Gaskets Group

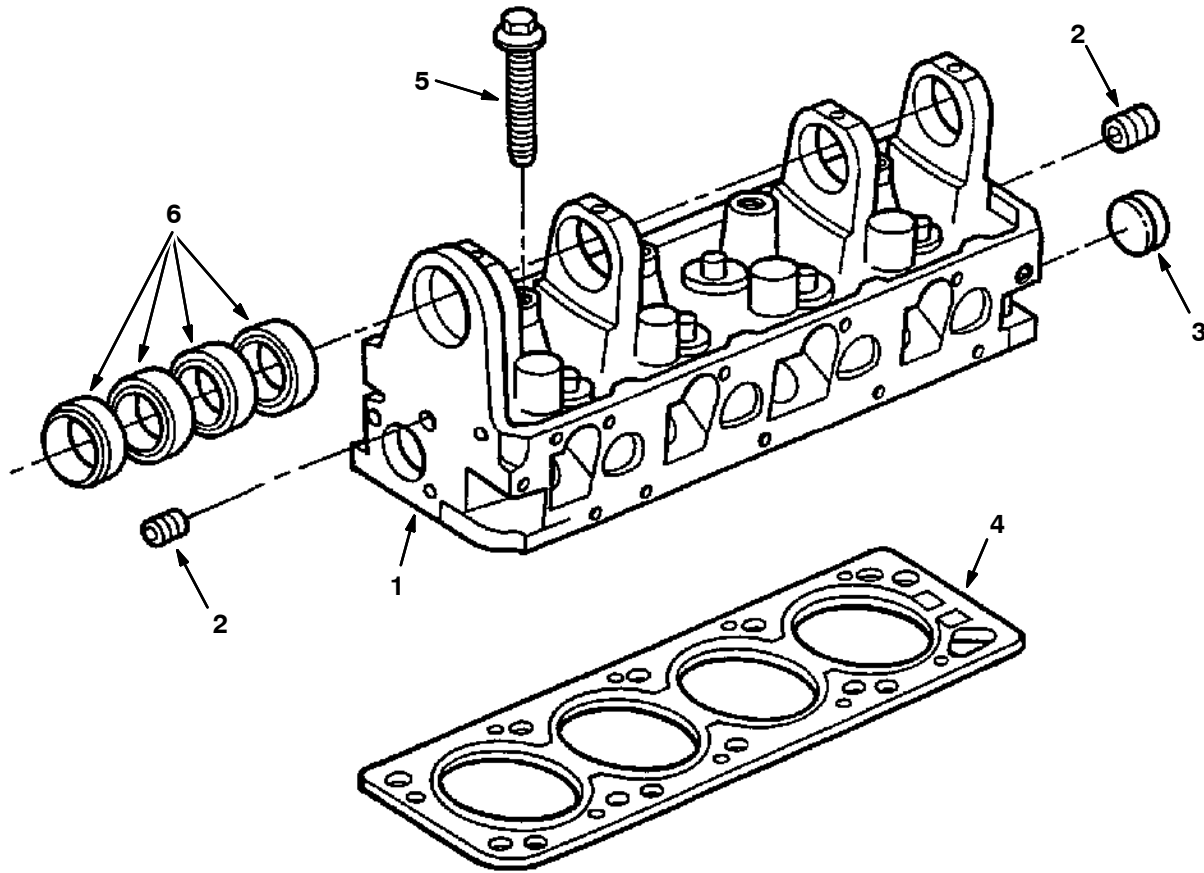


**Fig. 2 - Gaskets Group**

	<b>Ref.</b>	<b>Part No.</b>	<b>Description</b>	<b>Qty.</b>
▽	1	370851	Gskt Kit,Lower	1
▲	2	84896	Gskt,Frnt Cvr	1
▲	3	84887	Gskt,Pmp/Putube	1
▲	4	60833	Oil Seal, Front	1
▲	5	60834	Seal, Rear	1
▲	6	84889	Gasket,Oil Pan	1
▲	7	84983	Gskt,Water Pump	1
▽	8	84891	Gskt Kit,Upper	1
▲	9	84991	Gskt,In.Manfld	1
▲	10	60806	Gasket, Head	1
▲	11	84958	Seal,Valve Stem	8
▲	12	73995	Gskt,Rockr Cvr	1
▲	13	60833	Oil Seal, Front	1
▲	14	74538	Gskt-Waterout	1

## 2.5L ENGINE BREAKDOWN

Fig. 3 - Cylinder Head Group

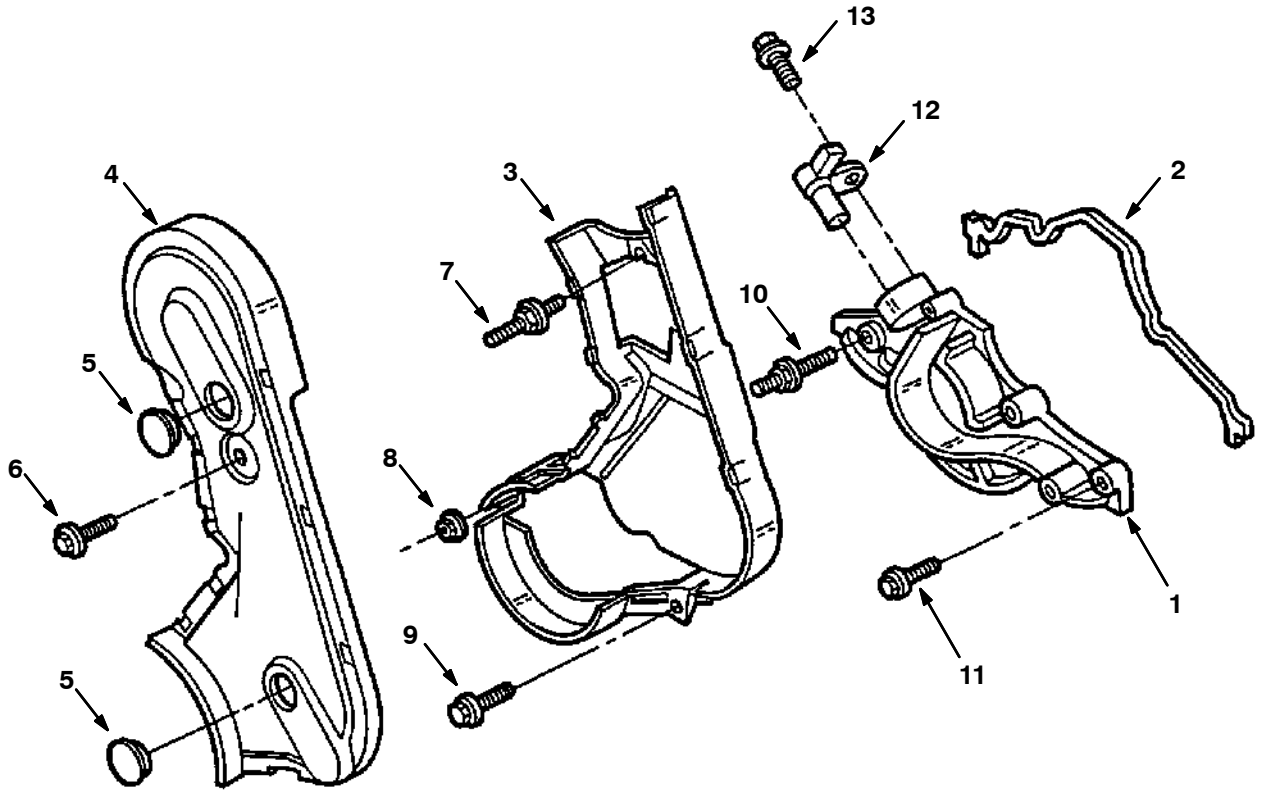


10445 - 800L, 8410, G, LP

Ref.	Part No.	Description	Qty.
1	84907	Head-W/O Valves	1
2	36268	Plug 1/4 Npt	2
3	84910	Plug, 1.50 Cup	1
4	60806	Gasket, Head	1
5	73927	Bolt M12	10
6	60817	Bearing Cam,	4
6	73936	Bearing, .016 Camshaft	-



Fig. 4 - Cylinder Front Cover Group



10446 - 800L, 8410, G, LP

Ref.	Part No.	Description	Qty.
1	84895	Lower Cover	1
2	84896	Gskt,Front Cvr	1
3	84897	Inner Cover	1
4	84898	Outer Cover	1
5	74536	Plug	2
6	84899	Bolt, M8 X 17 Schd	1
7	84900	Stud,M8X51.0mm	1
8	84901	Nut, M6	1
9	84902	Scr&Wsh,M6X22.5	1
10	84903	Stud,M6X61.8mm	1
11	84904	Bolt,M6X37.5mm	3
12	84905	Sensor,Crnksft	1
13	84906	Screw,M6X22.5mm	1

Fig. 5 - Starter Breakdown

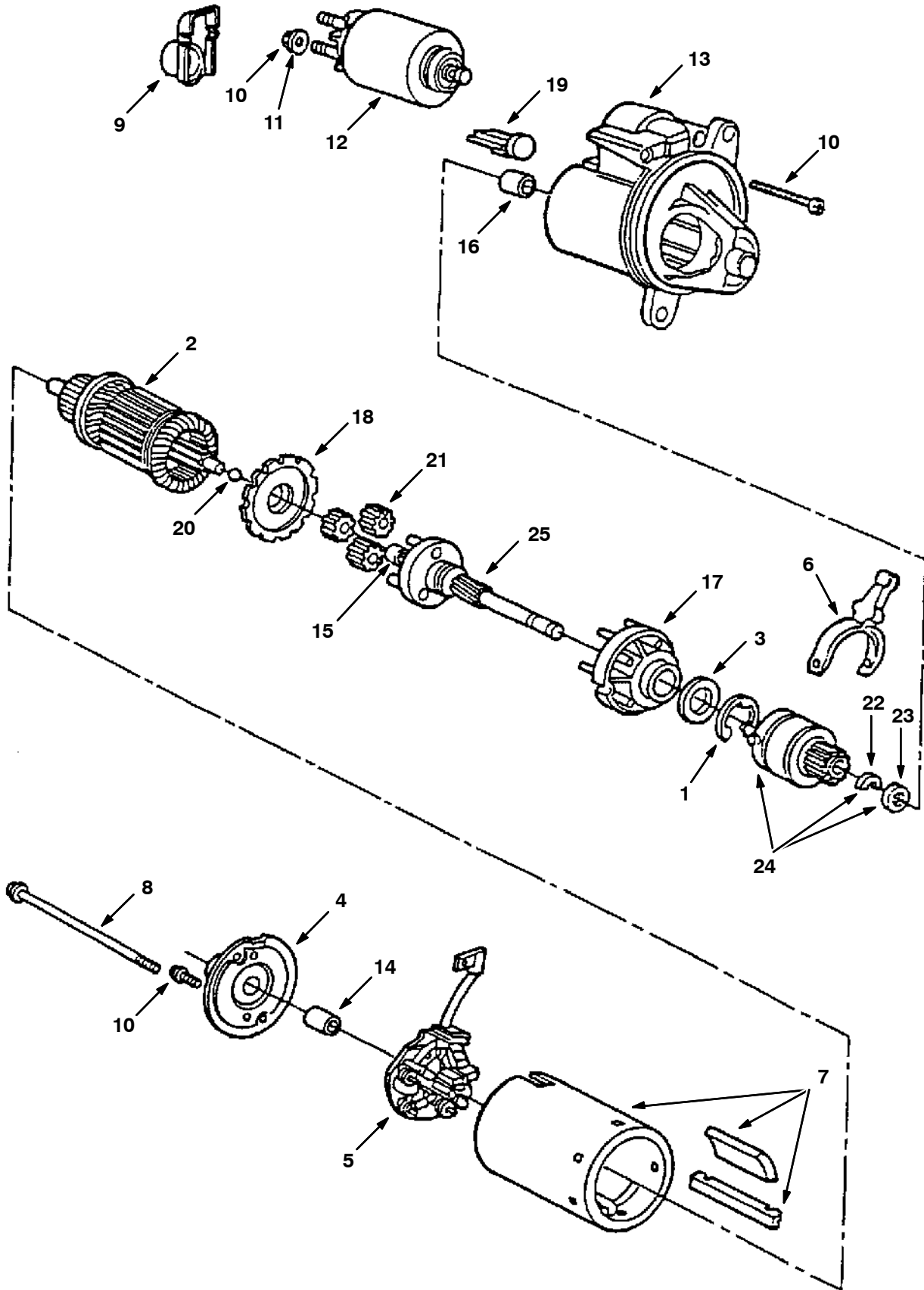
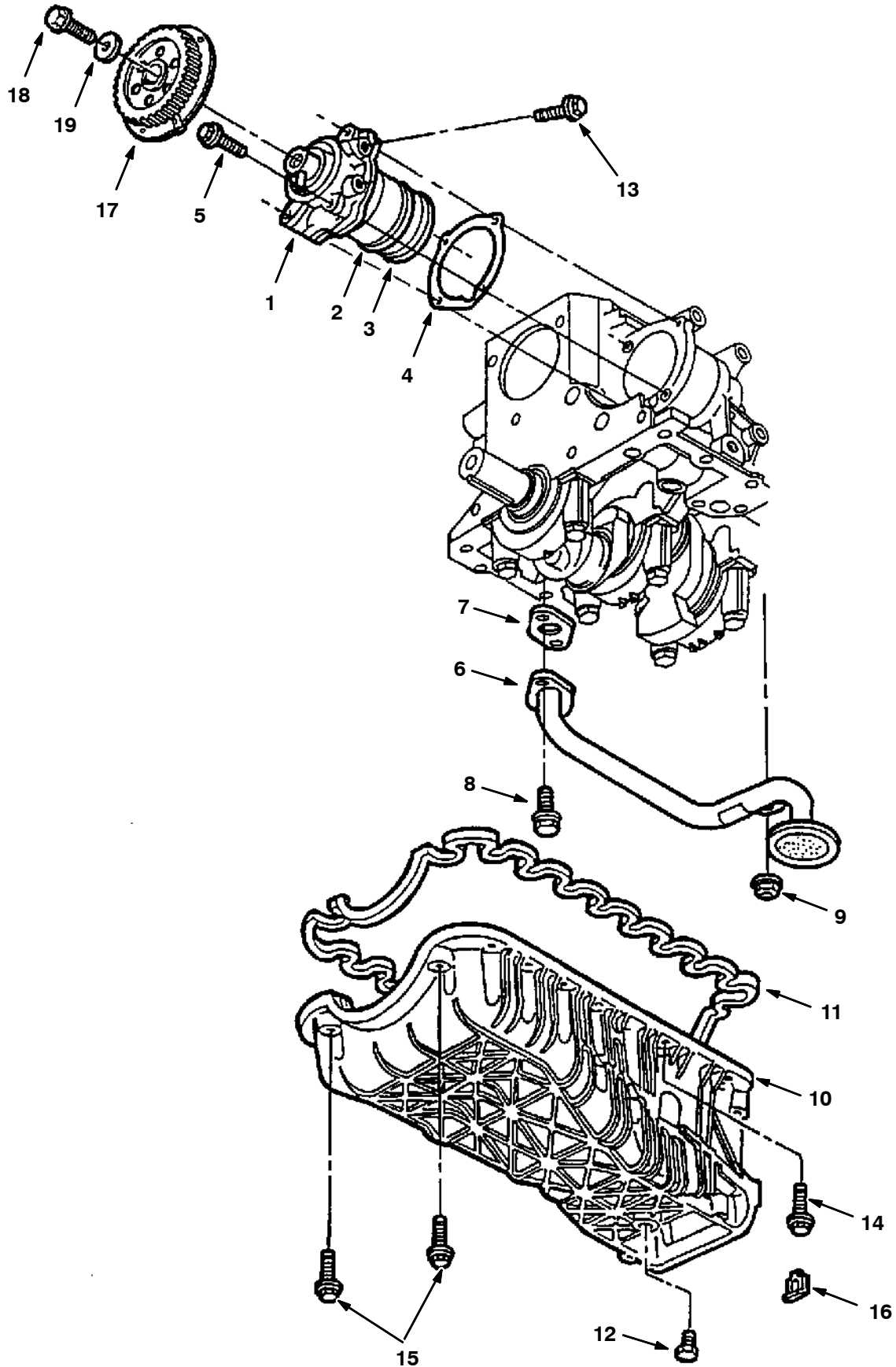


Fig. 5 - Starter Breakdown

	Ref.	Part No.	Description	Qty.
▽		60938	Motor, Starting, Perm Mag, 12V	1
▲	1	79640	Retaining Ring	1
▲	2	84999	Armature	1
▲	3	79956	Washer	1
▲	4	79628	Plate & Brg	1
▲	5	79629	Brush Holder	1
▲	6	79630	Lever	1
▲	7	79631	Frame&Mag.As	1
▲	8	79632	Bolt-Thru	2
▲	9	79970	Term.Cover	1
▲▽	10	79633	Kit-Attaching	1
▲▲	11	79957	Nut&Washer,M8	1
▲	12	370829	Solenoid	1
▲	13	79634	Hsg W/Brg	1
▲	14	79635	Bearing	1
▲	15	79960	Planet Bearing	3
▲	16	79961	Bearing	1
▲	17	79962	Statnry Gear	1
▲	18	79963	Retnr.Gear	1
▲	19	79964	Seal	1
▲	20	79965	Arm.Thr.Ball	1
▲	21	79966	Gear Assy	3
▲	22	79636	Ring-Drv.Stop	1
▲	23	79967	Retainer	1
▲	24	79638	Drive Assy	1
▲	25	79969	Shft Asy,Output	1

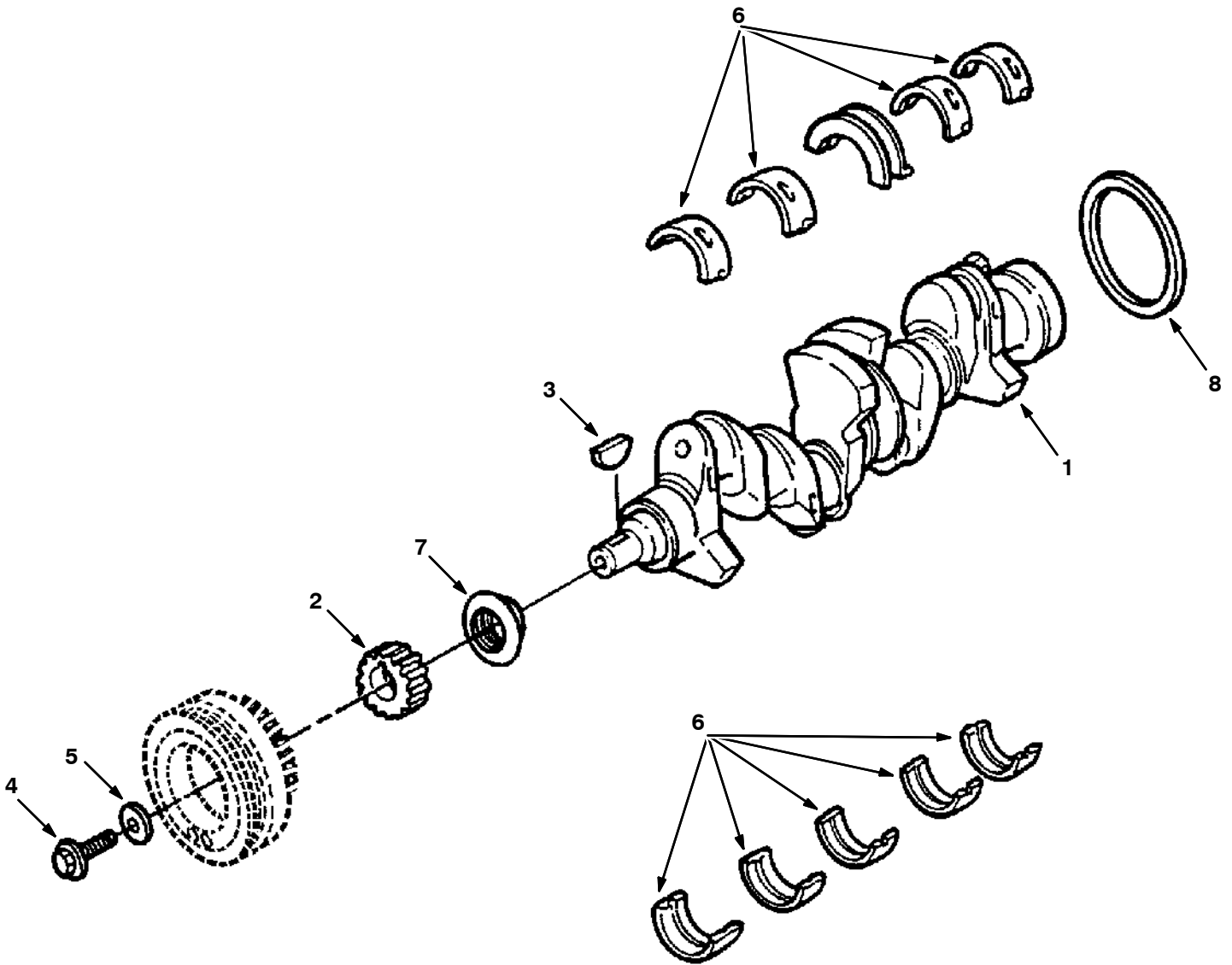
Fig. 6 - Oil Pan Group



**Fig. 6 - Oil Pan Group**

<b>Ref.</b>	<b>Part No.</b>	<b>Description</b>	<b>Qty.</b>
1	84963	Oil Pump	1
2	84964	O-Ring,2.375	1
3	84965	O-Ring-2.250	1
4	84966	Gskt,Oilpmp/Blk	1
5	84967	Bolt,M6X47.5mm	4
6	370852	Oil Pickup Tube	1
7	84969	Gskt,Pu Tube	1
8	84970	Bolt,M8X20.0mm	2
9	84971	Nut,M10	1
10	370853	Oil Pan Assy	1
11	84889	Gasket,Oil Pan	1
12	370854	Oil Plug	1
13	84981	Bolt,M5X20.0M	2
14	84973	Bolt,M6X27.5mm	16
15	84974	Bolt,M6X52.5mm	2
16	84975	Oil Pan Spacer	-
16	84976	Oil Pan Spacer	-
16	84977	Oil Pan Spacer	-
17	84978	Oil Pmp Sprkt	1
18	84979	Bolt,M10X40.0mm	1
19	74561	Washer	1

Fig. 7 - Crankshaft Group



**Fig. 7 - Crankshaft Group**

<b>Ref.</b>	<b>Part No.</b>	<b>Description</b>	<b>Qty.</b>
1	370855	Crankshaft Asy	1
2	84924	Crnksft Sprckt	1
3	84925	Crnkshaft Key	1
4	84926	Bolt,M14X55.0M	1
5	84927	Wash M15 1.53Od	1
6	388555	Bearing Kit, Cshft [Fd]	1
7	60833	Oil Seal, Front	1
8	60834	Crnksft Seal-Rear	1

Fig. 8 - Manifolds Group

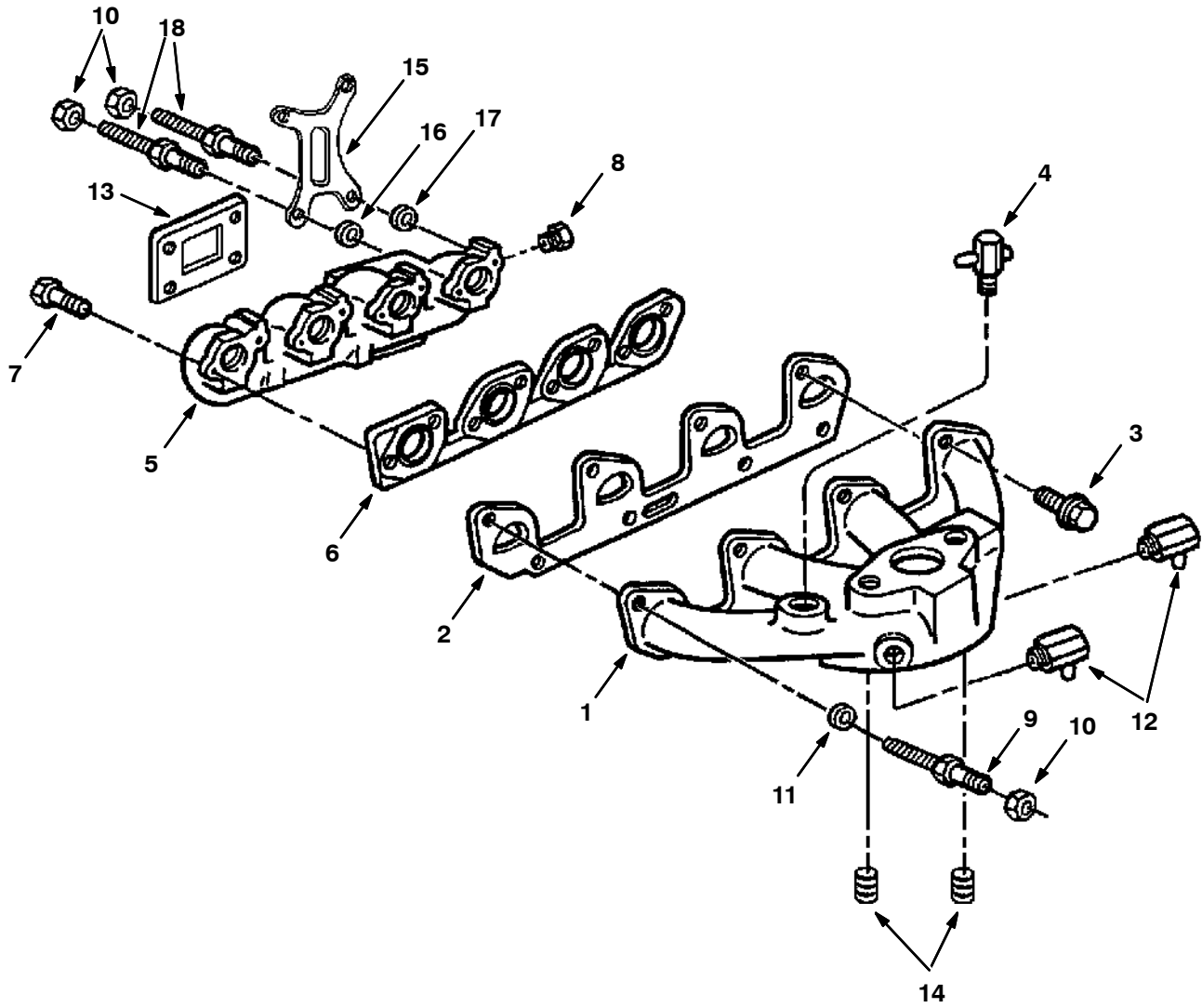
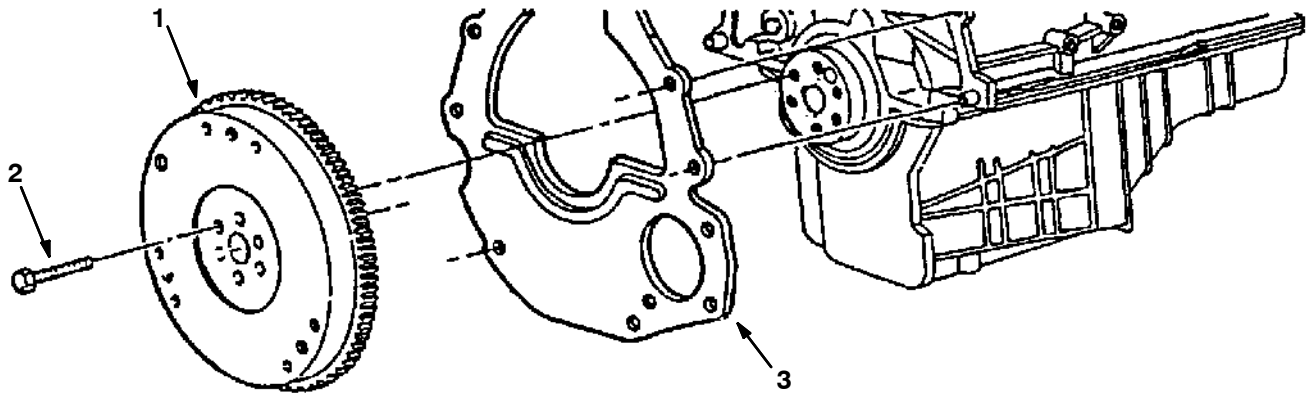




Fig. 8 - Manifolds Group

Ref.	Part No.	Description	Qty.
1	84990	Int.Manifold	1
2	84991	Gskt,Int.Mnflid	1
3	84992	Bolt,M8X25.0mm	7
4	74527	Vac.Fitting	1
5	74509	Exh.Manifold	1
6	84995	Gskt,Exh.Mnflid	1
7	84996	Bolt,M10X55.0M	6
8	84997	Plug, 1/2Npt	1
9	79972	Stud	1
10	79973	Nut M8-1.25	3
11	79974	Spacer	1
12	84985	Elbow,90 deg	2
13	36048	Gasket, Exh. Flange	1
14	73917	Plug 3/8 NPT	2
15	79976	Lifting Eye	1
16	21792	Spacer	1
17	21793	Spacer	1
18	21794	Stud	2

Fig. 9 - Flywheel Group

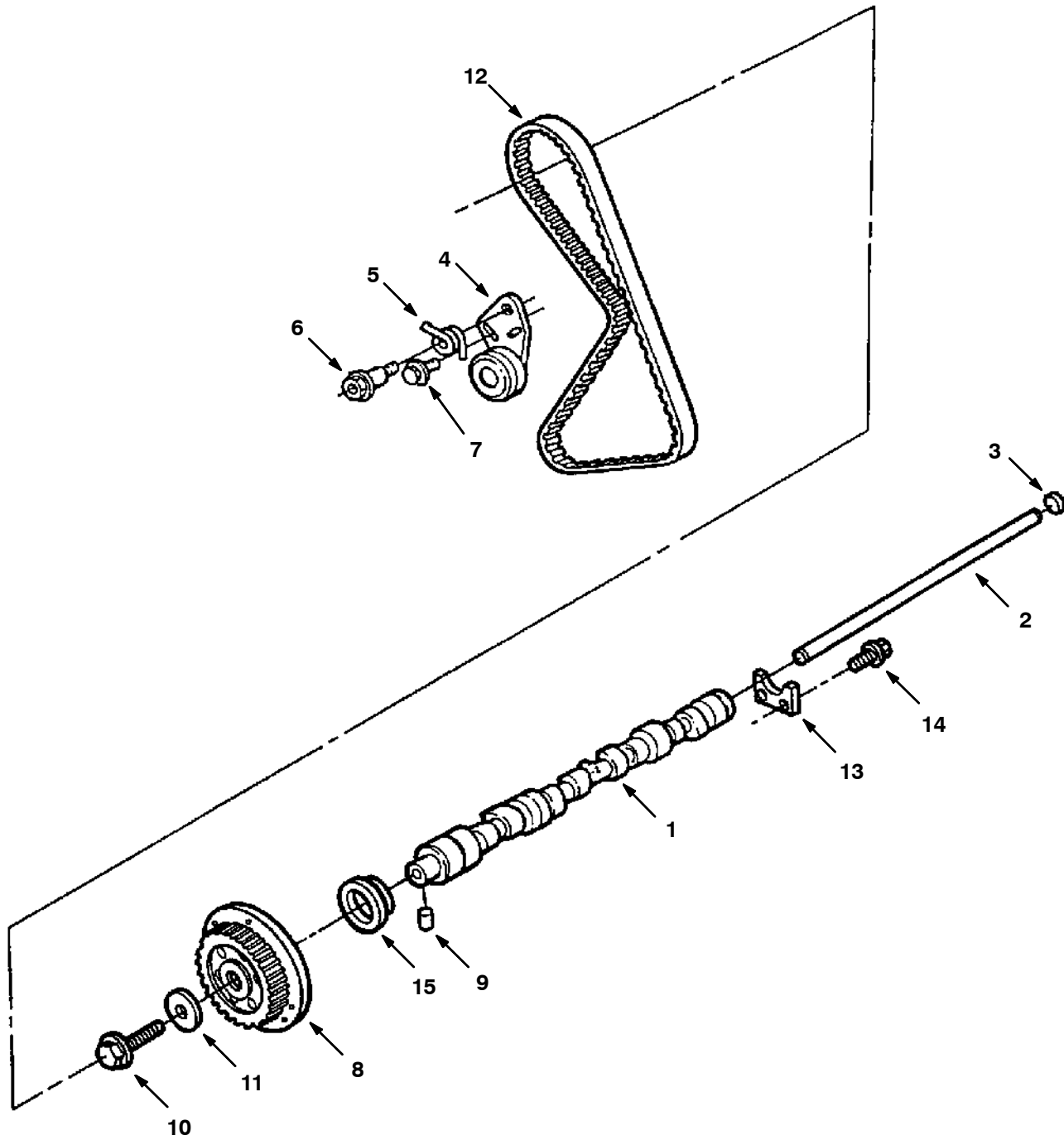


**Fig. 9 - Flywheel Group**

	<b>Ref.</b>	<b>Part No.</b>	<b>Description</b>	<b>Qty.</b>
▽	1	370102	Flywheel	1
▲		84659	Gear, Ring [Fd]	1
	2	64038	Bolt, M10X58.0mm	6
	3	83669	Rear Plate	1

## 2.5L ENGINE BREAKDOWN

Fig. 10 - Camshaft And Sprocket Group

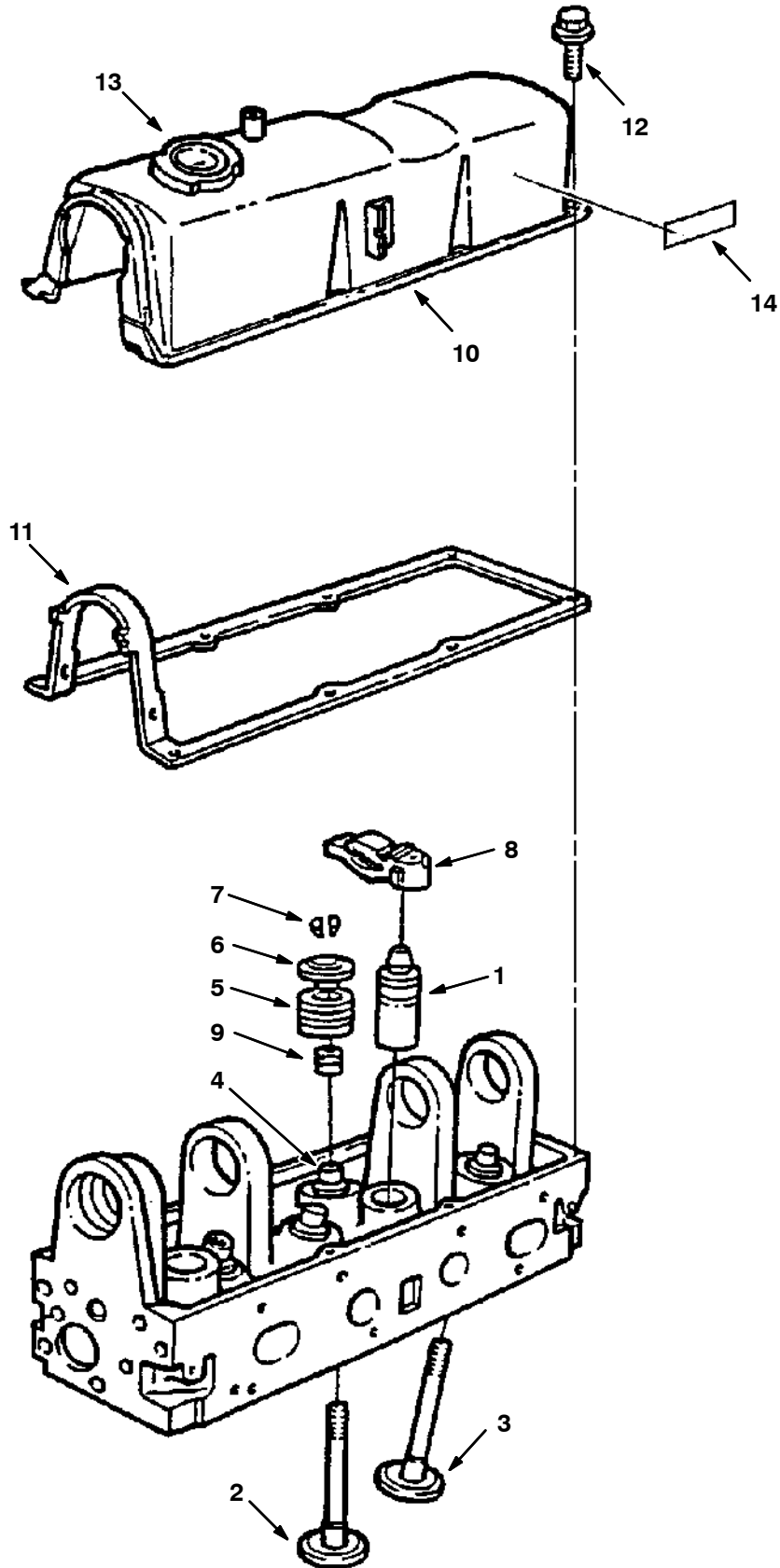


**Fig. 10 - Camshaft And Sprocket Group**

<b>Ref.</b>	<b>Part No.</b>	<b>Description</b>	<b>Qty.</b>
1	84915	Camshaft	1
2	84916	Rod	1
3	84917	Plug	1
4	73967	Tensioner, Arm	1
5	73970	Spring, Tension	1
6	84919	Bolt, Tens. Sprn	1
7	74552	Bolt	1
8	84978	Camshft Sprckt	1
9	84921	Pin, 1/4X.32	1
10	74545	Bolt M12X45	1
11	73937	Washer	1
12	84936	Timing Belt	1
13	73954	Plate	1
14	74548	Scr&Wash M6	2
15	60833	Oil Seal, Front	1

## 2.5L ENGINE BREAKDOWN

Fig. 11 - Valve And Rocker Arm Cover Group

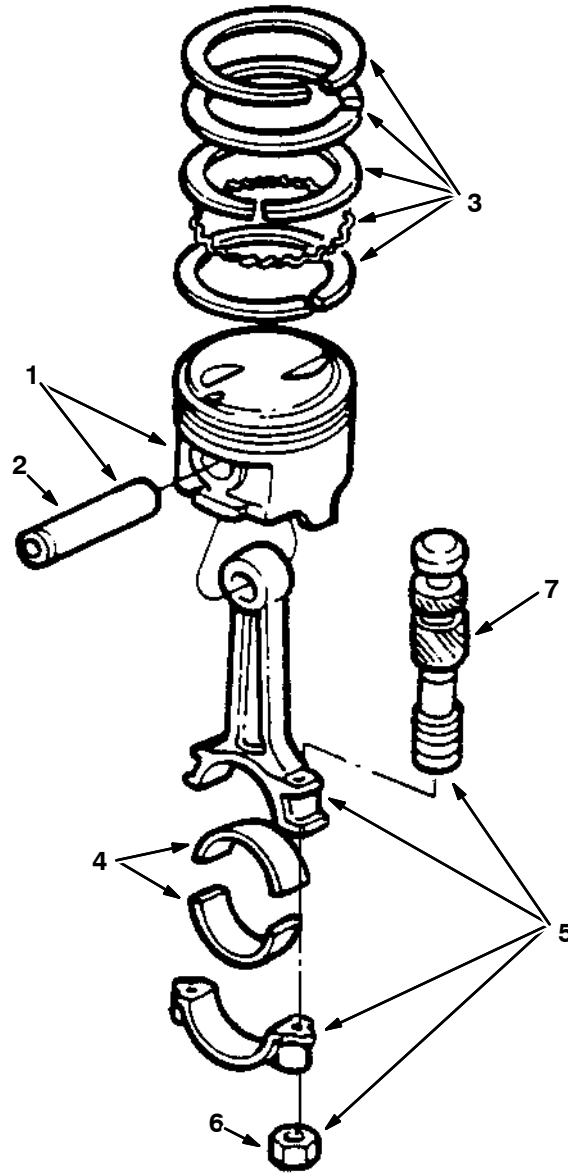


**Fig. 11 - Valves And Rocker Arm Cover Group**

<b>Ref.</b>	<b>Part No.</b>	<b>Description</b>	<b>Qty.</b>
1	84950	Tap.Assy-Valve	8
2	84951	Std.Exh.Valve	4
3	84952	Std.Int.Valve	4
4	84953	Valve Guide Bushing	-
5	84954	Valve Spring	8
6	84955	Valve Spring Retainer	8
7	84956	Valve Spring Key	16
8	84957	Valve Rocker Arm	8
9	84958	Valve Stem Seal	8
10	370876	Valve Rocker Arm Cover	1
11	73995	Gasket,Rocker Cover	1
12	84961	Scr&Wsh,M6X15.0M	8
13	60836	Breather Cap	1
14	36164	Warning Label, Starter	1

## 2.5L ENGINE BREAKDOWN

Fig. 12 - Piston And Connecting Rod Group

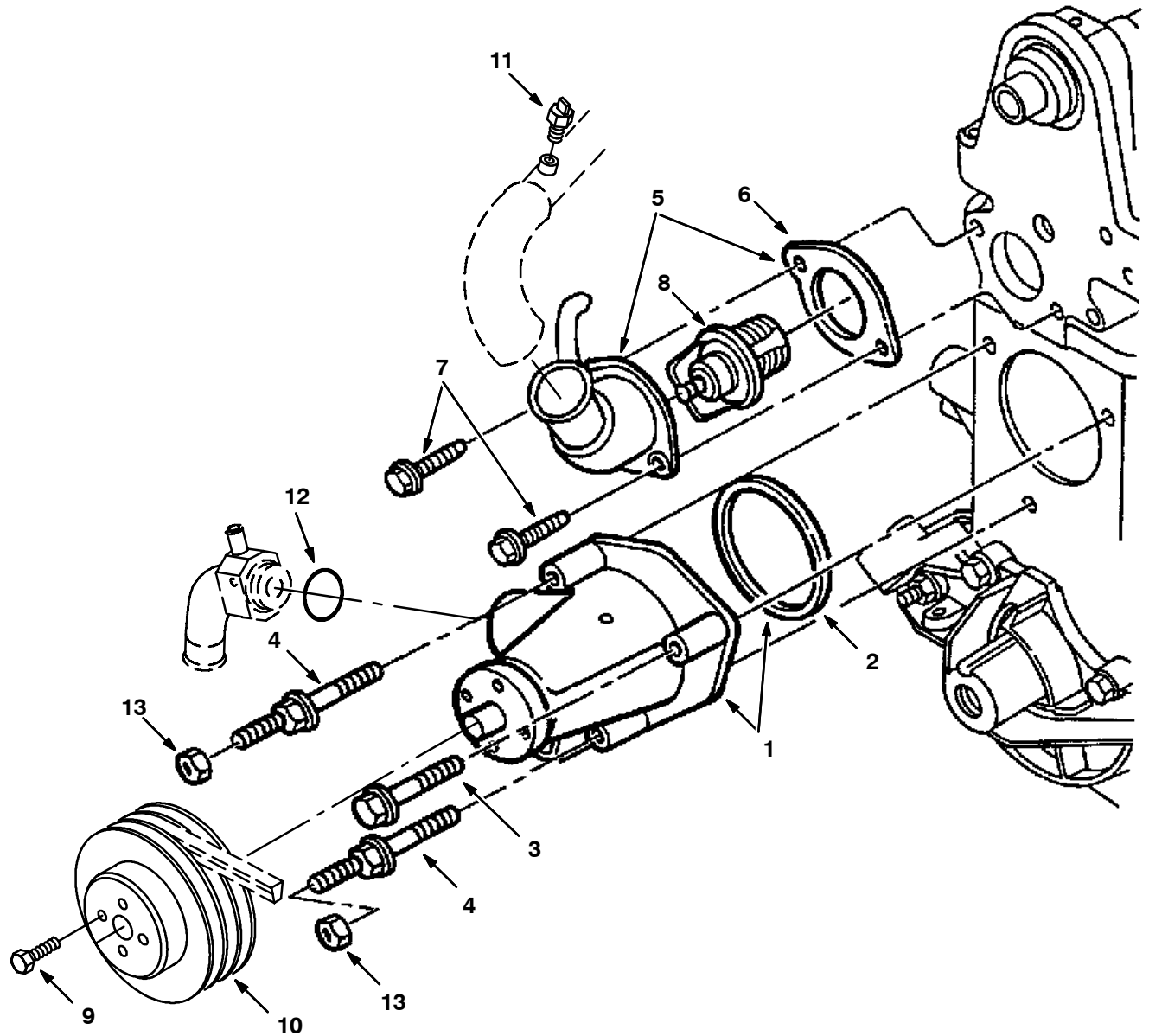


10447 - 800L, 8410, G, LP

Ref.	Part No.	Description	Qty.	
1	370888	Piston, Std.	4	
2	370889	Piston Pin	4	
3	370890	Ring Set, Std.	2	
4	370891	Bearing	8	
∇	5	370892	Connecting Rd	4
▲	6	60813	Nut, Conrod-8	8
▲	7	60814	Bolt-Conrod-4	8



Fig. 13 - Water Pump, Thermostat and Fan Group

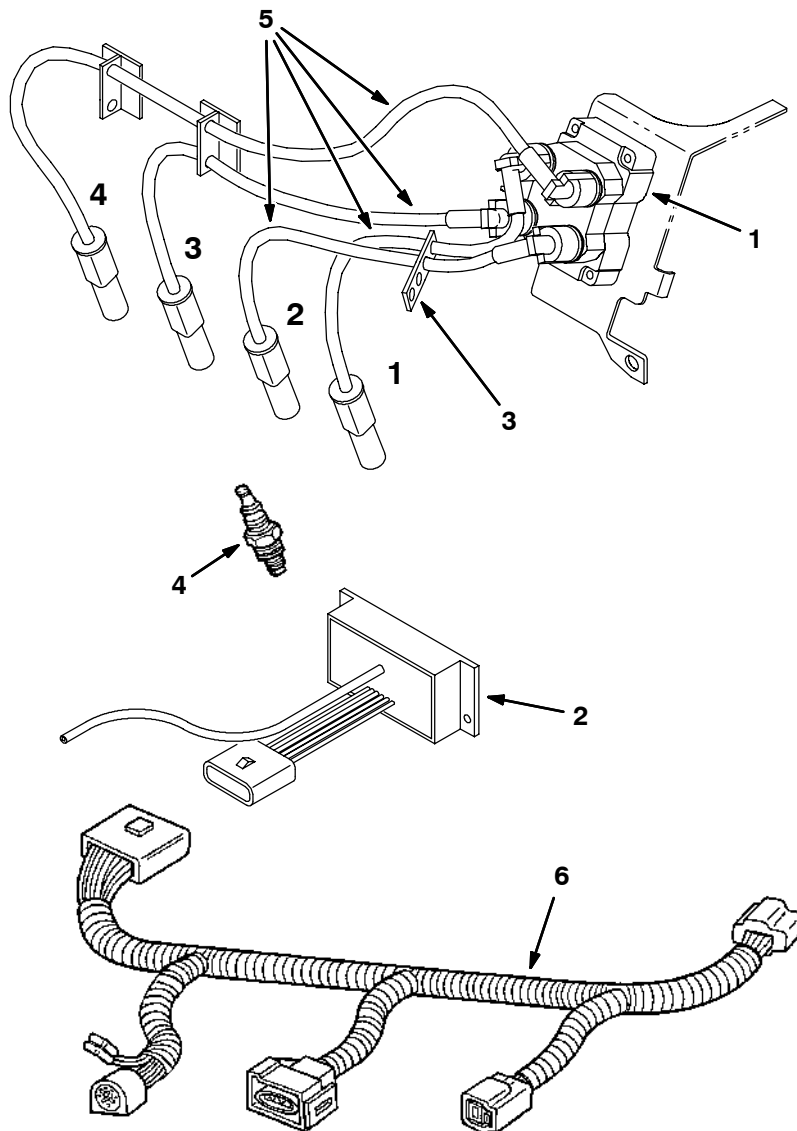


10528 - 800L, 8410, G, LP

Ref.	Part No.	Description	Qty.	
▽	1	84982	Water Pump	1
▲	2	84983	Gskt,Water Pump	1
	3	84984	Bolt,M8X53.0mm	1
	4	84998	Stud	2
▽	5	73996	Water Outlet	1
▲	6	74538	Gasket Water Outlet Connection	1
	7	84988	Bolt,M8X18.0M	2
	8	84987	Therm 190 W/Gsk	1
	9	84994	Bolt, M8X12.0mm	1
	10	36014	Sheave, Water Pump	1
	11	84989	Temperature sensor	1
	12	79975	O-Ring, Water Pump Adaptor	1
	13	84993	Locknut	2

## 2.5L ENGINE BREAKDOWN

Fig. 14 - Ignition Group



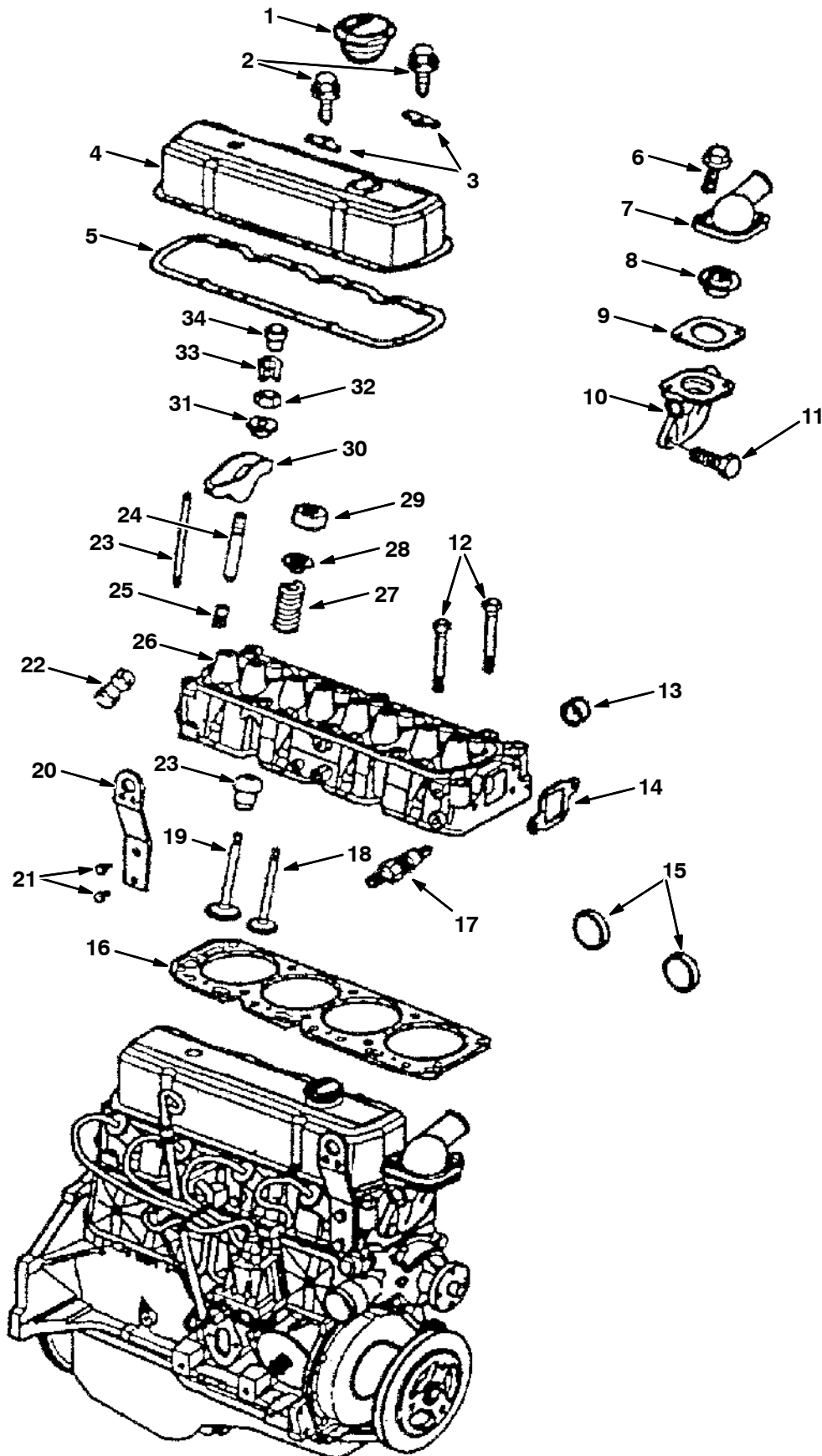
10524-350562 - 800L, 8410, G, LP

Ref.	Part No.	Description	Qty.
1	83732	Ignition Coil	1
2	374274	Ignition Module Kit	1
3	84882	Separator	1
4	60846	Spark Plug	4
5	83677	Wire Asy, Spark Plug	1
6	370875	Harness, Wire, Eng	1

# SECTION 7

<b>Contents</b>	<b>Page</b>
Fig. 1 - Cylinder Head, Valves Group . . . . .	7-2
Fig. 2 - Distributor and Ignition Group . . . . .	7-4
Fig. 3 - Engine Block and Piston Group . . . . .	7-6
Fig. 4 - Oil Pump and Oil Pan Group . . . . .	7-8
Fig. 5 - Crankshaft Group . . . . .	7-10
Fig. 6 - Camshaft and Water Pump Group . . . . .	7-12

Fig. 1 - Cylinder Head, Valves Group



**Fig. 1 - Cylinder Head, Valves Group**

<b>Ref.</b>	<b>Part No.</b>	<b>Description</b>	<b>Qty.</b>
1	371891	Cap, Fill, Oil	1
2	393824	Bolt	-
3	393895	Reinforcement	-
4	393896	Cover	1
5	393897	Gasket	-
6	393898	Bolt	3
7	393899	Outlet For engine serial numbers (013228-014999)	1
8	393900	Thermostat	1
9	393901	Gasket	1
10	393902	Housing	1
11	393898	Bolt	3
12	393903	Bolt	-
13	393904	Plug	2
14	393917	Gasket	1
15	393918	Plug	-
16	393933	Gasket	1
17	393934	Spark Plug	4
18	393935	Valve, Exhaust	4
19	393936	Valve, Intake	4
20	393937	Bracket	1
21	393938	Bolt	8
22	393951	Lifter	8
23	393952	Rod	8
24	393953	Stud, .003" O.S.	8
24	393954	Stud, .013" O.S.	8
25	393955	Sealer	8
26	393956	Head	1
27	393957	Spring	8
28	393958	Cap, Valve Spring	8
29	393959	Shield	12
30	393960	Arm Kit	8
31	393961	Ball	8
32	393962	Nut	8
33	393963	Key	16
34	393964	Rotator	4

Fig. 2 - Distributor and Ignition Group

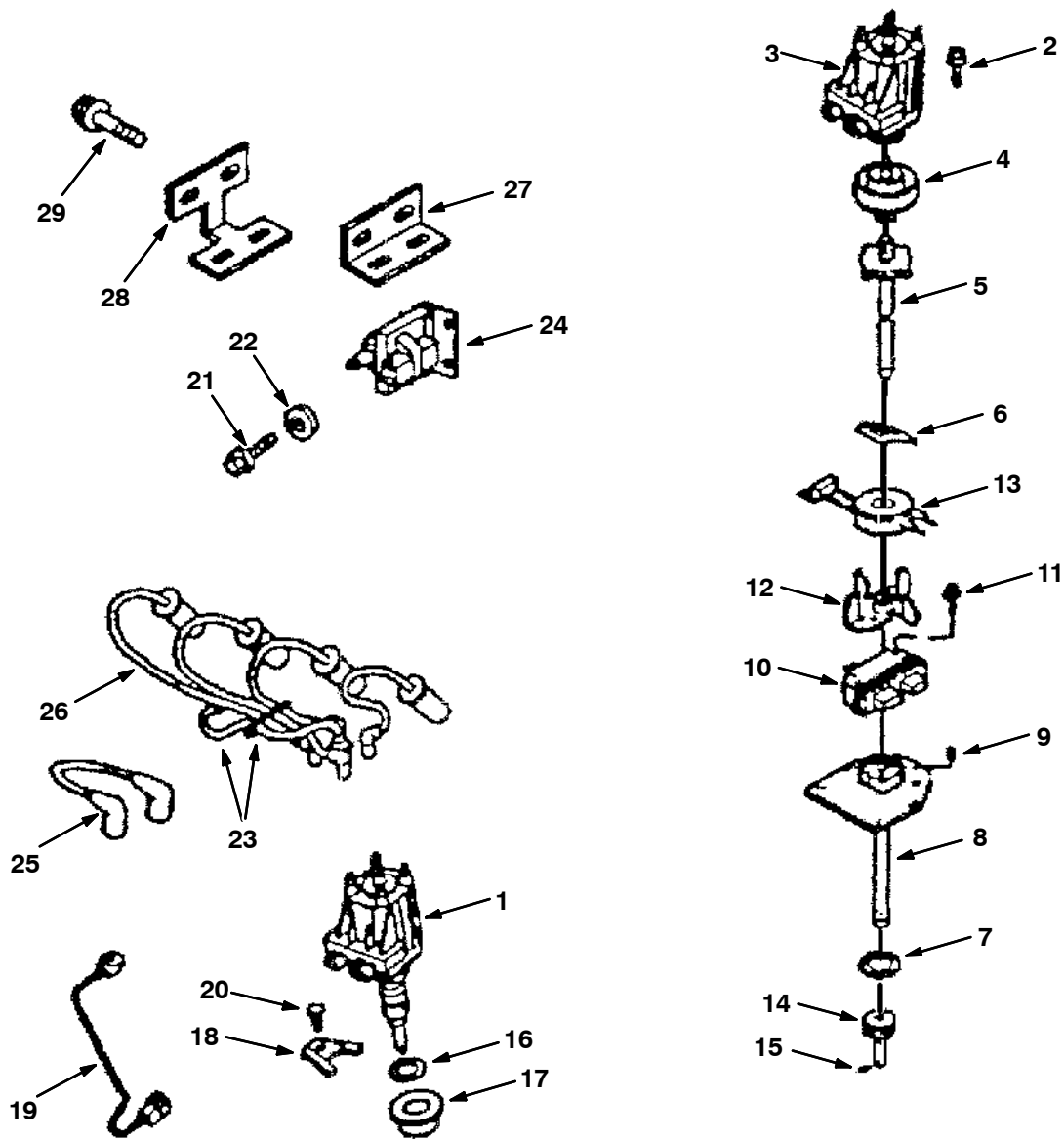
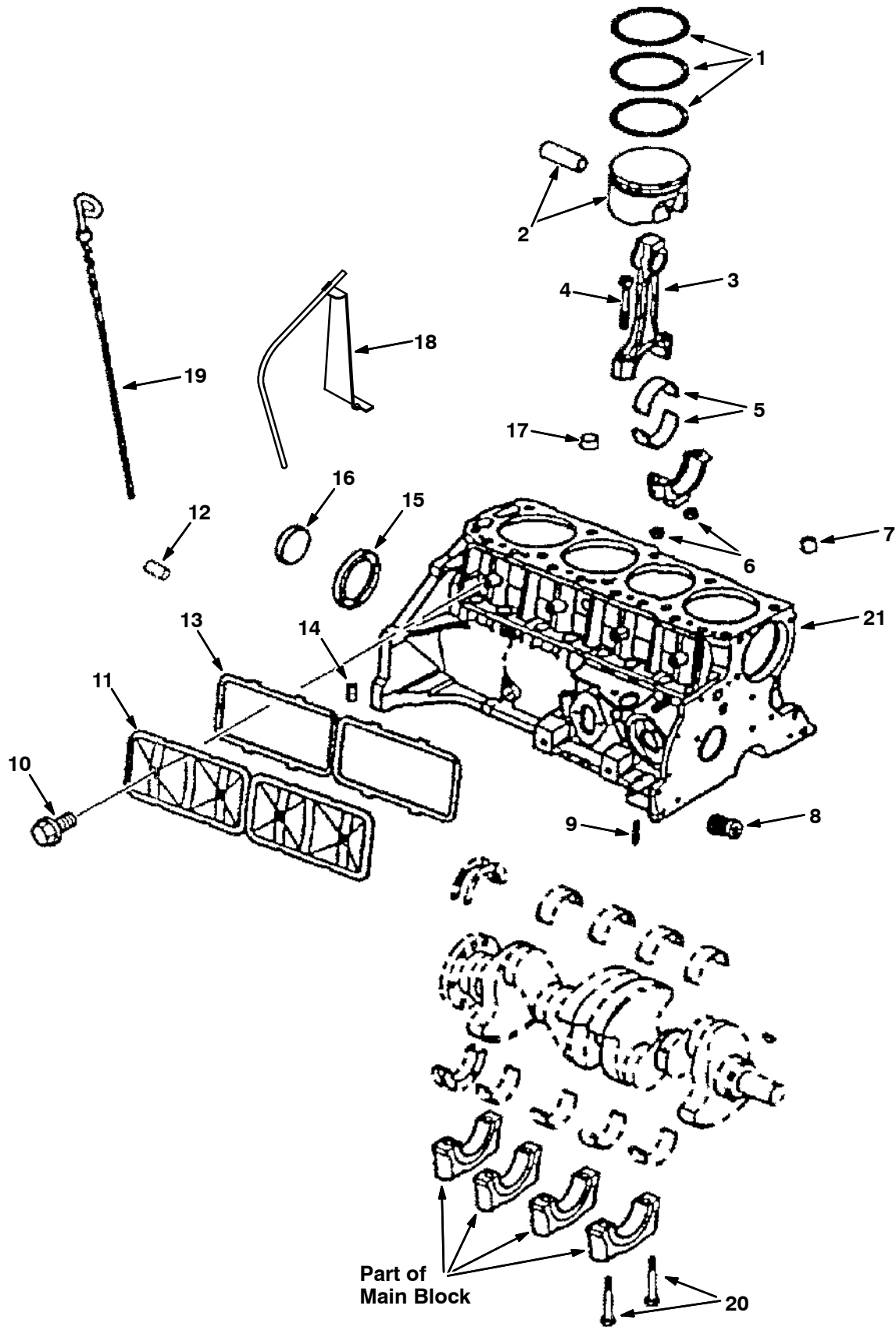


Fig. 2 - Distributor and Ignition Group

	Ref.	Part No.	Description	Qty.
▽	1	393939	Distributor	1
▲	2	393919	Bolt	2
▲	3	393920	Cap, Distributor	1
▲	4	393921	Rotor	1
▲	5	393922	Shaft	1
▲	6	393923	Retainer	1
▲	7	393924	Sealer	1
▲	8	393925	Housing	1
▲	9	393926	Pin	1
▲	10	393927	Module	1
▲	11	393928	Bolt	2
▲	12	393929	Pole Piece	1
▲	13	393930	Coil	1
▲	14	393931	Gear	1
▲	15	393932	Pin	1
	16	393940	Gasket	1
	17	393941	Washer	1
	18	393942	Clamp	1
	19	393943	Wire	1
	20	393898	Bolt	3
	21	21194	Screw, Hex, .38-16 X 0.62, 5	1
	22	393946	Washer	2
	23	393947	Retainer	-
	24	393948	Coil	1
	25	393949	Wire	1
	26	393950	Spark Plug Wires	1
	27	393965	Bracket, Top	1
	28	393966	Bracket, Bottom	1
	29	393967	Bolt	-

Fig. 3 - Engine Block and Piston Group

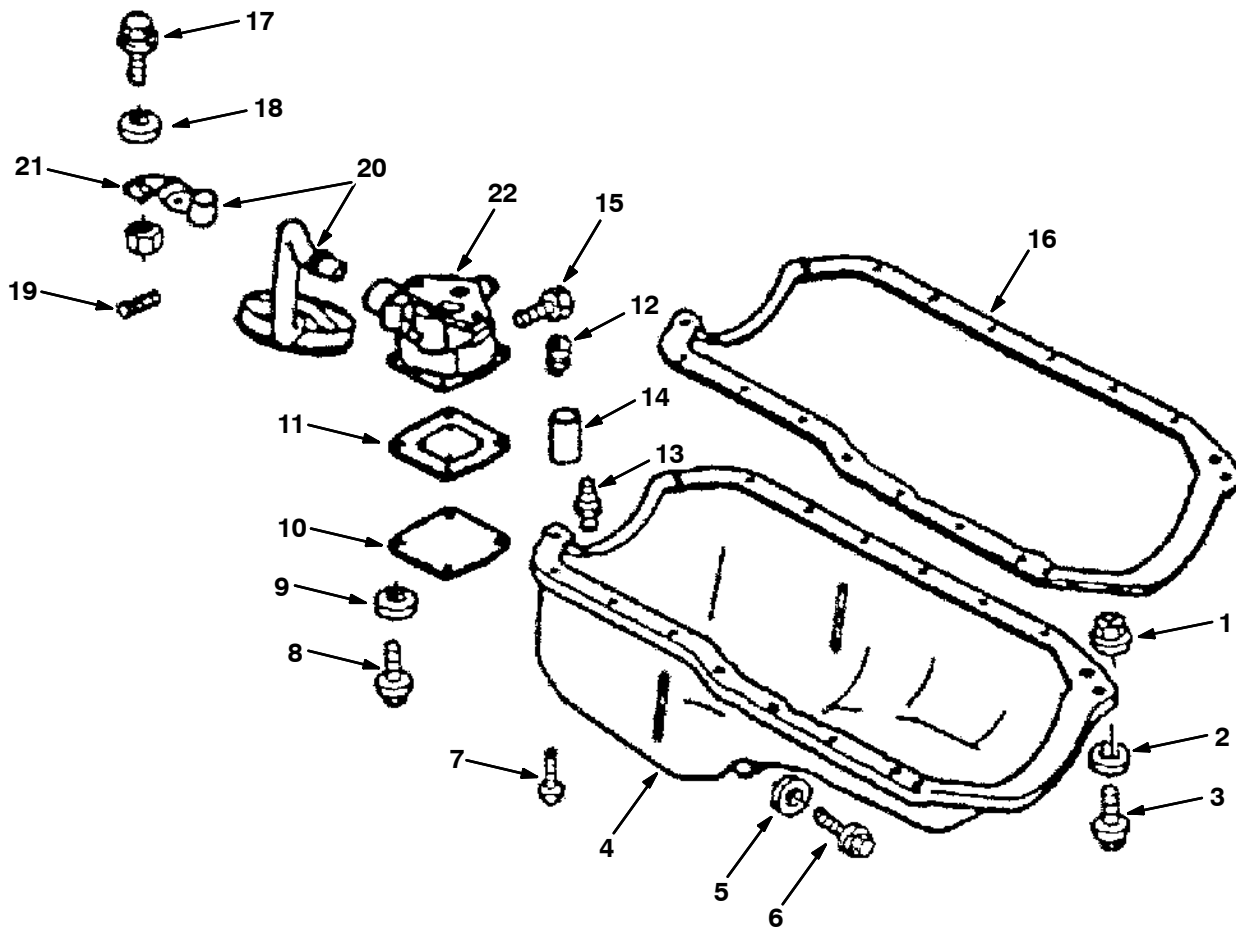




**Fig. 3 - Engine Block and Piston Group**

<b>Ref.</b>	<b>Part No.</b>	<b>Description</b>	<b>Qty.</b>
1	393806	Ring Kit, Std	4
1	393807	Ring Kit, .030" O.S.	4
2	393808	Piston, STD	4
2	393809	Piston, Hi-limit	4
2	393810	Piston, .020" O.S.	4
3	393811	Conn Rod	4
4	393812	Bolt	8
5	393813	Bearing Kit, Std	4
5	393814	Bearing Kit, .001 U.S.	4
6	393815	Nut, Conn Rod	8
7	393816	Bearing Kit	1
8	393832	Valve	1
9	393833	Pin	8
10	393882	Bolt	4
11	393883	Cover	1
12	393884	Pin	2
13	393662	Sealant, [Rtv], 03.35oz	-
13	393663	Sealant, [Rtv], 05.00oz	-
14	393886	Plug	1
15	393888	Plug	1
16	393889	Plug	-
17	393890	Plug	1
18	372464	Tube, Ds	1
19	372251	Dipstick	1
20	393872	Bolt	10
21	393887	Engine, Partial (Includes block, pistons, rods, crankshaft, bearings, rear seal gasket)	1

Fig. 4 - Oil Pump and Oil Pan Group



**Fig. 4 - Oil Pump and Oil Pan Group**

	<b>Ref.</b>	<b>Part No.</b>	<b>Description</b>	<b>Qty.</b>
	1	393848	Nut	-
	2	393849	Washer	-
	3	393850	Bolt	-
▽	4	393853	Oil Pan	1
▲	5	393852	Gasket	1
▲	6	393851	Plug	1
	7	393824	Bolt (1/4-20x1/2)	2
	7	393850	Bolt (1/4-20x.62)	2
	7	393854	Bolt (5/16-18x5/8)	12
	8	393855	Screw	4
	9	393849	Washer	4
	10	393856	Cover	1
	11	393857	Gasket	1
	12	393858	Spring	1
	13	393859	Plug	1
	14	393860	Valve	1
	15	393861	Bolt	3
	16	393862	Gasket	1
	17	393867	Bolt	-
	18	393868	Washer	-
	19	393869	Pin	1
	20	393871	Screen, w/Tube	1
▽	20	393870	Screen, w/Suction Pipe	1
▲	21	393865	Bracket	1
	22	393863	Pump	1

Fig. 5 - Crankshaft Group

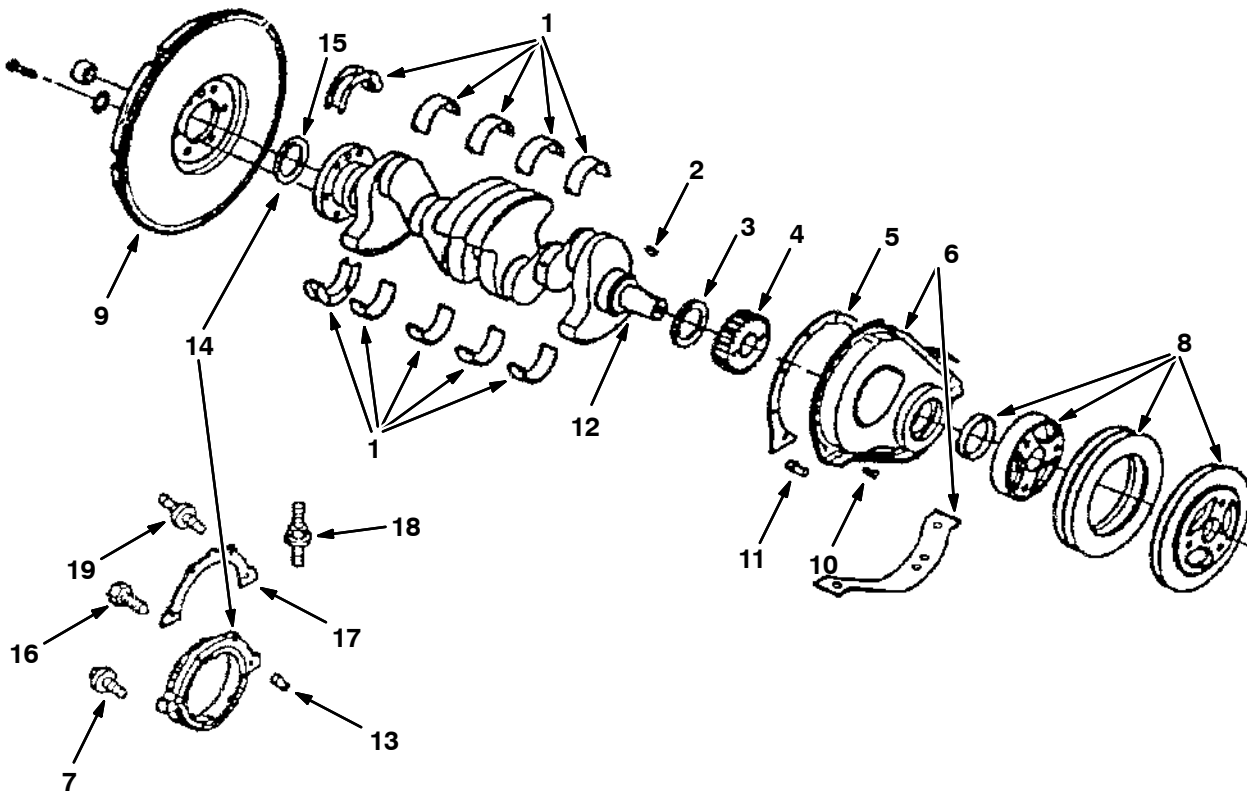
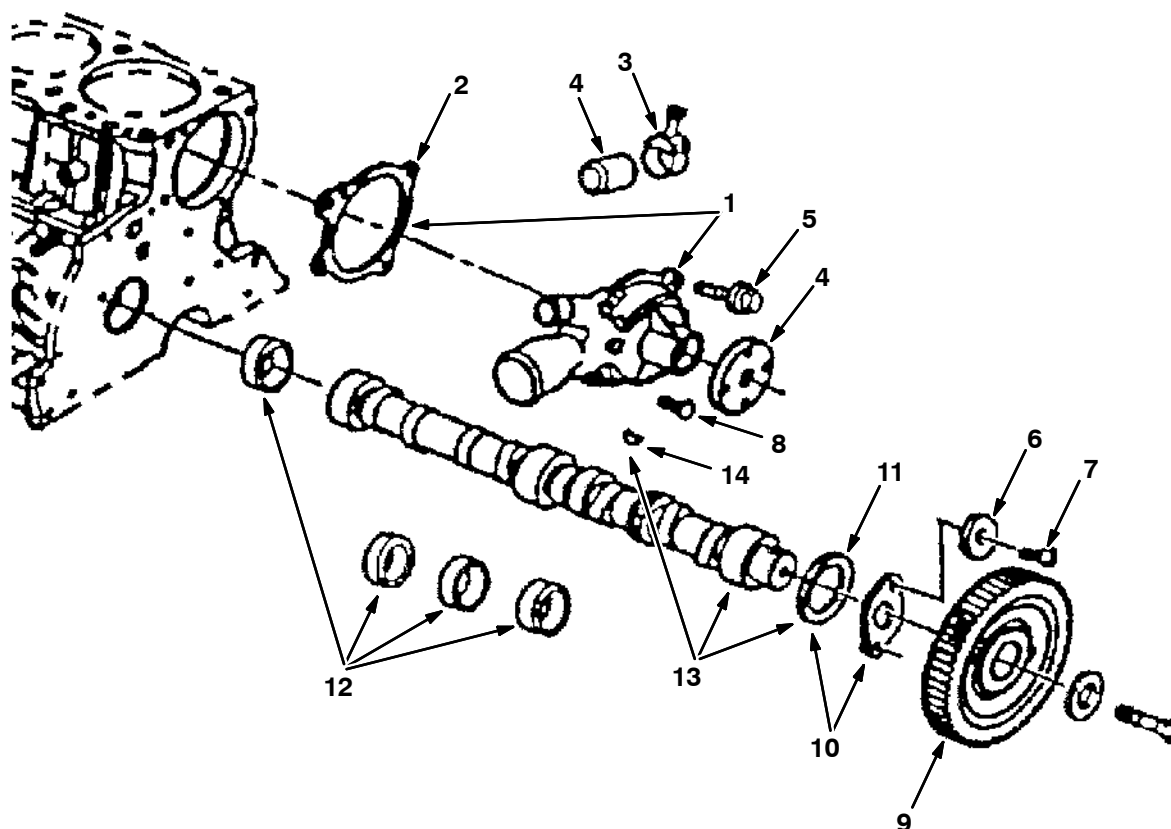


Fig. 5 - Crankshaft Group

Ref.	Part No.	Description	Qty.	
1	393837	Bearing Kit, Std #1, 2, 3, 4	4	
1	393838	Bearing Kit, .001" #1, 2, 3, 4	4	
1	393839	Bearing Kit, .010" #1, 2, 3, 4	1	
1	393840	Bearing Kit, .020" #1, 2, 3, 4	1	
1	393841	Bearing Kit, .030" #1, 2, 3, 4	1	
1	393836	Bearing Kit, Std #5	4	
1	393834	Bearing Kit, .001" #5	4	
1	393835	Bearing Kit, .025" #5	4	
2	393826	Key	1	
3	393842	Seal	1	
4	393843	Gear	1	
5	393844	Gasket	1	
6	393845	Cover	1	
7	393875	Bolt	-	
8	393846	Balancer	1	
9	393881	Gear	1	
10	393824	Bolt	8	
11	393864	Nozzle	1	
12	393866	Crankshaft	1	
13	393873	Pin	1	
▽	14	393874	Housing	1
▲	15	393880	Seal	1
	16	393876	Bolt	-
	17	393877	Gasket	1
	18	393878	Stud	1
	19	393879	Stud	2

**Fig. 6 - Camshaft and Water Pump Group**



G, LP

	Ref.	Part No.	Description	Qty.
▽	1	393820	Water Pump	1
▲	2	393817	Gasket	1
	4	393818	Cap	1
	3	393819	Clamp	1
	5	393821	Bolt	1
	6	393822	Washer	1
	7	393823	Bolt (1/4-20x1/12 Hex)	1
	7	393824	Bolt (1/4-20x1/12)	3
	8	393825	Bolt (5/16-18x1.5 Hex)	2
	9	393827	Gear	1
▽	10	393828	Plate Kit	1
▲	11	393829	Ring	3
	12	393830	Bearing Kit	1
▽	13	393831	Camshaft	2
▲	14	393826	Key	1

# SECTION 8

**CONTENTS**

**PAGE**

PART NUMBER TO PAGE NUMBER CROSS REFERENCE LIST ..... 8-2  
PART DESCRIPTION TO PAGE NUMBER CROSS REFERENCE LIST ..... 8-17

# CROSS REFERENCE

## PART NUMBER TO PAGE NUMBER CROSS REFERENCE LIST

Part Number	Page Number	Part Number	Page Number	Part Number	Page Number
IB3614	4-12, 4-13, 4-14	05725	2-4	08714	2-173, 2-177, 2-181, 2-183, 2-185
MM390	3-44	05726	2-5	08716	2-193, 2-195
MM390ES	3-44	06279	2-177	08793	3-15, 3-17
MM390FR	3-44	06549	3-11, 3-13, 3-15, 3-17	09007	2-9, 2-11, 2-21, 2-171
MM392	3-44	06933	2-197, 2-199	09010	2-9, 2-11, 2-183, 2-187, 2-205
00500-15	4-11, 4-15	06942	2-65, 2-93, 2-127, 3-11, 3-13	09011	2-171, 2-173, 2-175, 2-177, 2-181, 2-183
00954	4-13	06943	2-65, 2-91, 2-93, 2-117, 2-119, 3-15, 3-17	09023	2-133, 2-137, 2-139
00960	4-12	06945	2-211	09028	2-9, 2-11, 2-185
00966	4-14	06948	2-59	09088	2-133
01314	2-13	06949	2-101	09120	2-169
01316	3-3	06958	2-119, 2-135	09198	2-5
01493	2-13	06959	2-187	09228	2-33
01516	2-189	06968	2-39, 2-41, 2-43	09244	3-11, 3-13, 3-15, 3-17
01683	2-135, 2-201	06972	2-39, 2-41, 2-43	09252	2-203
01684	2-4, 2-5, 2-9, 2-11, 2-169, 2-171, 2-193, 2-195, 2-201, 2-203, 2-211	06974	2-169	09291	2-9, 2-11
01685	2-9, 2-11, 2-137, 2-139, 2-171, 2-173, 2-175, 2-177, 2-181, 2-183, 2-187, 2-191, 2-193, 2-195, 2-197, 2-203, 2-205	07259	2-19	09342	2-7
01686	2-9, 2-11, 2-173, 2-177, 2-181, 2-183, 2-185, 2-187	07450	2-189	09570	2-193
01714	2-137, 2-139	07471	2-203	09718	2-19
01760	2-171	07562	2-79, 2-81, 3-39	09738	2-135
01988	2-149, 2-153	07565	3-39	09739	2-201
02129	2-113, 2-115	07592	2-45, 2-47, 2-49	09740	2-171, 2-191, 2-193, 2-195
02205	2-155	07597	2-67	09806	2-13
02247	2-69, 2-113, 2-115	07786	2-181, 2-183	09832	2-137, 2-139
02361	2-149, 2-153	07788	2-9, 2-11	09900-1	2-169
02430	4-43	07790	2-65, 3-11, 3-13	1001303	2-193, 2-195
02506-6	3-27	07791	2-39, 2-41, 2-43, 2-47, 2-49, 2-99, 2-101, 2-217, 3-19	1002789	2-207
02676	2-149, 2-153	07792	2-127	1002898	2-205
02705	4-23, 4-25	07805	2-169, 2-203	1002899	2-205
02706	4-23, 4-25, 4-27	07819	2-187	1005086	2-207
02709	4-23, 4-25	08013N	2-5	1005255	2-205
02712	2-25	08085	2-181	1005302	2-207
02731	2-13	08143	2-31	1005304	2-207
02740	2-79, 2-81	08164	2-91, 2-93	1005416	2-17, 2-205
02741	2-79, 2-81	08166	2-93	1005435	2-205
02850	2-33	08175	2-167, 2-177	1005506	2-203
02931	2-189	08228	2-111, 2-113, 2-115	1005507	2-203
03026	2-79, 2-81, 2-83, 2-85	08361	2-173, 2-177	1005508	2-203
03192	2-127, 2-157, 2-159	08708	2-21, 2-99, 2-101, 2-119, 2-135, 2-193, 2-195, 3-11, 3-13, 3-15, 3-17	1005552	2-207
03495	2-189	08709	2-85, 2-119, 2-125, 2-127, 2-135, 2-143, 2-157, 2-159	1006410	2-195
03922	2-213, 2-215, 2-217	08711	2-21, 2-39, 2-41, 2-43, 2-137, 2-139, 2-169, 2-187	1006416	2-127
04414	2-39, 2-41, 2-43	08712	2-9, 2-11	1006447	2-203
04706	2-219	08713	2-31, 2-133, 2-137, 2-139, 2-171, 2-173, 2-175, 2-177, 2-183, 2-185, 2-187, 2-191, 2-193, 2-195	1007162	2-45
04846	2-185			1008094	2-45, 2-47, 2-49
05036	2-5			1008142	2-199
05494	2-63			1008147	3-3
05624	2-171			1008377	2-215
05686	2-173, 2-177			1008511	2-47
05724	2-5			1008513	2-47
				1008519	2-47
				1008538	2-49
				1010668	2-203
				1010684	2-205
				1010713	2-203
				1010775	2-203



## CROSS REFERENCE

Part Number	Page Number	Part Number	Page Number	Part Number	Page Number
1010836	2-203, 2-205	1015096	2-211	1029477	2-159
1011011	2-278	1015136	2-199	1029649	2-49
1011015	2-278	1015486	2-207	1029737	2-127
1011017	2-278	1016322	2-51	1030143	2-127
1011107	2-99, 2-101	10165	2-189	1030220	2-43
1011216	2-91, 2-93	1017072	2-69	1030224	2-127
1011400	2-91	1017239	2-69	1030256	2-101
1011780	2-83, 2-85	1017250	3-11, 3-13, 3-15, 3-17	1030272	2-43
1011895	2-99, 2-101	1017270	4-45, 4-47	1030485	2-101
1011899	2-83, 2-85	1017272	2-69	1030635	2-49
1011939	2-91	1017471	2-69	1030863	2-203
1012033	2-278	1017475	2-69	1030864	2-203
1012102	2-99	1017500	2-69	1030878	2-203
1012128	2-99	1017598	2-69	1031405	2-211
1012185	2-221	1017662	2-69	1031699	2-199, 2-201, 3-7, 4-37, 4-39, 4-41
1012199	2-115	1017847	2-91, 2-93	1031700	3-29, 3-30
1012204	2-83, 2-85	1018063AM	2-111, 2-113, 2-115	1031967	2-153
1012206	2-83	1018097	2-205	1032036	2-157, 2-159
1012248	2-99, 2-101	1018098	2-203	1032214	2-287
1012314	2-99	1018467	2-203	1032232	2-179, 4-35
1012317	2-83, 2-85	1018495	2-203	1032254	2-85
1012468	2-99	1018499	2-207	1032292	2-93
1012677	2-99	1018533	2-203	1032382	2-51
1012719	2-41	1018644	2-125	1032804	2-59
1012720	2-41	1018780	2-205	1032805	2-75
1013030	2-99	1018883	2-203	1032812	2-101
1013086	2-99, 2-101	1018884	2-203	1033423	2-155
1013350	2-57	1018919	2-117	103344	2-119
1013399	2-91, 2-93	1019351	2-117	1033687	2-119
1013438	2-125, 2-127	1019481	2-11	1033739	2-93
1013465	2-91	1019886	2-205	1033746	2-101
1013509	2-101	1019939	2-101	1033897	2-101
1013590	2-91, 2-93	1020195	2-211	1033899	2-101
1013677	2-83, 2-85	1020250	2-205	1034105	2-43
1013699	2-143	1020530	2-9	1036255	2-219
10137	2-129	1021095	2-197	1037311	2-75
1013846	2-217	1021210	3-5, 4-41	1037312	2-75
1013851	2-217	1021231	2-203	1037313	2-75
1013902	2-205	1021878	2-3, 2-205, 2-3	1038966	2-219
1013941	2-115	1022148	2-195	10539	2-137, 2-139
1013944	2-15	1022388	2-13	10542	2-187
1014082	2-205	1022636	2-211	10550	3-35
1014136	2-15	1022662	2-211	10552	4-45, 4-47, 4-49, 4-51
1014143	2-91, 2-93	1023491	2-195	10557	3-35
1014206	2-83	1024020	2-195, 2-203, 2-205, 2-207	10560	3-35
1014365	2-187	1024237	2-195	10561	3-35
1014446	2-153	1028419	2-93	10562	3-35
1014473	2-203	1028455	2-93	10573	3-5
1014506	2-99, 2-101	1028492	2-131	10575	3-5
1014532	2-203	1028558	2-93	10581	3-23
1014575	2-205	1028559	2-93	10595	3-23
1014595	2-99	1028580	2-211	10606	2-129
1014659	2-99, 2-101	1028582	2-203	10612	2-225
1014689	2-115	1028924	2-101	10618	2-161
1014986	2-205	1028925	2-93	10620	2-13
1014987	2-205	1029257	2-85	10632-1	2-23, 2-193, 2-195
1015012	2-17, 2-205	1029293	2-101	10632-12	2-111
1015032	2-195	1029295	2-101	10632-14	2-111, 2-113, 2-115
1015036	2-143	1029334	2-43		
1015048	2-195				

# CROSS REFERENCE

Part Number	Page Number	Part Number	Page Number	Part Number	Page Number
10632-18	3-7, 3-11, 3-13, 3-15, 3-17, 3-19	13248	2-13, 2-29, 2-31, 2-87, 2-89, 2-91, 2-93, 2-111, 2-113, 2-115, 2-117, 2-119, 2-135, 2-137, 2-139, 2-161, 2-213, 2-215, 2-217	19644	2-149, 2-153
10632-4	2-33	13513	2-137, 2-139	19747	2-37, 2-51
10632-5	2-221	13902	4-29, 4-31, 4-33, 4-35, 4-42	19760	2-109
10632-9	3-11, 3-13, 3-15, 3-17, 3-19	13904	4-29, 4-31, 4-33, 4-35, 4-42	19774	2-35
10642	2-13	13907	4-27, 4-33, 4-35	20177	2-47, 2-49
10644	2-13	14131	2-95, 2-97	20178	2-173, 2-175, 2-177
10652	2-103, 2-105, 2-107, 2-109	14242	2-133	20634	2-25
10653	2-103, 2-105, 2-107, 2-109	14296	2-37	20778	4-39
10654	2-103, 2-105, 2-107, 2-109	14432	2-79, 2-81, 2-83, 2-85	20806	2-191, 2-193, 2-195
10661	2-103, 2-105, 2-107, 2-109	14601	2-137, 2-139	20810	2-197
10664	2-121, 2-123, 2-125, 2-127	14838	2-4, 2-5	20811	2-197
10672	3-3	14864	2-201	20833	2-189
10678	3-3	14880	2-201	20838	2-113, 2-115
10679	2-201	14983	3-37	20866	3-5
10688	2-23	150100	2-203	20885	4-39
10693	2-31	150516	2-69	20891	3-5, 4-39
10695	2-31	150525	2-205	20892	4-39
10723	5-3	15128-1	2-183	20895	3-5
10724	5-3, 6-3	15539	2-4, 2-5	20922	2-199
10740	2-117, 2-119, 2-135	15555-1	2-95, 2-97	20932	3-29, 3-30
10754	2-103	15555-2	4-49, 4-51	20944	3-7
10830	2-59, 2-75	15675	2-203	20950	3-7
11211	2-27	15678	2-201	20951	3-7
11329	2-203	16081	2-117, 2-119	20952	3-7
11399	2-51, 2-55, 2-67, 2-69, 2-195	16082	2-165	20971	2-217
11442-1	2-63, 2-65, 2-103, 2-105, 2-107, 2-109	16213	2-137, 2-139	20988	4-39
11635	2-205	16376	2-157, 2-159	20989	4-39
11636	3-37	16387	2-57	21194	7-5
11893	2-21	16455	2-19	21195	2-47, 2-49, 2-127
11984	2-53, 2-79, 2-81, 2-83, 2-85	16462	2-149	21197	2-39, 2-41, 2-43, 2-47, 2-49, 2-157, 2-159
12267	2-163	16465	2-151, 2-155	21198	2-81, 2-143
12273	2-197, 2-205	16695	4-7, 4-9, 4-11, 4-15	21207	2-31
12274	2-23	16735	2-47, 2-49, 2-119	21211	2-21
12275	2-199	16738	2-53	21294	2-35
12277	2-169	16931	2-41, 2-43, 2-93, 2-99, 2-101, 2-125, 2-127, 2-143, 2-217, 3-15, 3-17, 3-19	21586	2-189
12316	2-201	17200	2-23	21601	2-189
12317	2-181, 2-183	17414	2-35, 2-63, 2-65, 2-105, 2-107, 2-109	21602	2-189
12333	2-137, 2-139	17521	2-65	21603	2-189
12962	2-25	17980	2-179	21606	2-189
130041	2-69	19066	2-119, 2-135, 2-203, 3-11, 3-13	21614	2-189
13015	2-129	19191	2-173, 2-175, 2-177	21657	4-43
13048	2-53, 2-63	19311	2-39, 2-41, 2-43	21659	4-43
13115	2-149	19312	2-59, 2-75	21732	2-99
13124	2-83, 2-85	19315	2-39, 2-41, 2-43, 2-59, 2-75	21791	3-44
13156	2-169	19317	2-59, 2-69, 2-75	21792	5-15, 6-15
		19458	2-157	21793	5-15, 6-15
		19583	2-131	21794	5-15, 6-15
				21916	4-14, 4-29, 4-31, 4-33, 4-35
				21920	4-33, 4-35
				21922	4-33
				21923	4-33, 4-35
				21931	4-33, 4-35
				21977	4-33, 4-35
				22140	2-111, 2-113, 2-115
				222260	2-187
				222290	2-211
				222375	2-195
				222460	2-173, 2-175, 2-177

# CROSS REFERENCE

Part Number	Page Number	Part Number	Page Number	Part Number	Page Number
222504	2-133, 2-135	25014	2-89, 2-91	32486	2-143
22290	2-219	25046	2-173, 2-175, 2-177	32490	2-21, 2-23, 2-59, 2-75,
22297	2-125, 2-127	25047	2-59, 2-75		2-99, 2-101, 2-115,
22308-3	2-63	25049	2-137, 2-139		2-127, 2-133, 2-157,
22308-6	2-103, 2-105	25312	3-25		2-159
22308	2-103, 2-105, 2-107, 2-109	25610	2-99	32491	2-39, 2-41, 2-43, 2-45,
22324	2-105, 2-107	25611	2-173, 2-175, 2-177		2-51, 2-85, 2-93,
22604	2-131, 4-5	25730	2-181, 2-183		2-101, 2-119, 2-123,
22622	4-7, 4-9	25736AM	2-181, 2-183		2-125, 2-127, 2-133,
22654	4-9	26103	2-27		2-135, 2-143, 2-205,
22727	2-135	26395-2	2-95, 2-97, 2-99		2-217, 3-15, 3-17,
22731	2-135	26496	2-103, 2-105, 2-107, 2-109	32492	3-19
22746	2-13, 3-40	27048	2-63, 2-103, 2-105, 2-107, 2-109		2-39, 2-41, 2-43, 2-45,
22758	4-31				2-47, 2-81, 2-83, 2-85,
22775	2-13	27767	2-63		2-93, 2-127, 2-137,
22786	3-7	27980	2-59, 2-75		2-139, 2-143, 2-157,
22787	3-7	27989	2-81, 2-143	32493	2-159
22790	4-37, 4-41	27991	2-45, 2-47, 2-49		2-39, 2-41, 2-43,
22911	3-21	28854	4-11		2-187
22912	3-21	29192	3-11, 3-13, 3-15, 3-17	32494	2-185
23001	2-187	29499	2-163	32495	2-171
23002	2-187	29558	2-163, 2-181	32508	2-201
23004	2-187	29570	2-69	32613	2-201
23005	2-187	30013	2-111, 2-113, 2-115	32614	2-201
23006	2-187	30241	2-5	32662	2-185
23007	2-187	30251	2-169	32669	2-201
23087	2-199	30252	2-169	32716	2-173, 2-177
23088	2-199	30253	2-169	32731	2-185
23089	2-199	30255	2-169	32746	2-4, 2-5
23090	2-199	30389	2-53, 2-63, 2-65	32969	2-133
23156	2-63, 2-65, 2-105, 2-107, 2-109	30407	2-35	32978	2-99, 2-101
		30533	3-24	32980	2-49, 2-99, 2-101, 2-197
23271	2-197	311828	2-69	32981	2-31, 2-101, 2-137, 2-139, 2-217
23274	3-33	31354	4-7, 4-9, 4-11, 4-15		
23282	4-37, 4-39	31373	4-7, 4-9	32982	2-65
23283	4-37, 4-39	31375	4-15	32983	2-51
23285	4-37, 4-39, 4-41	31377	4-7, 4-9	32987	2-131
23456	3-29, 3-30	31381	4-15	330710	3-44
23498	2-199	31384	4-7, 4-9	33123	2-181
23524-1	2-187	31526	2-35	33295	3-3
23524	2-27	31568	2-149, 2-151, 2-153, 2-155	33404	2-167, 2-173, 2-175, 2-177
23574	2-37			33580	4-3, 4-5
23786	2-171	31599	2-117, 2-119	33612	2-21
23788	2-135, 2-185	31602	2-149, 2-151, 2-153, 2-155	33817	2-135
24012	2-87, 2-89			33951	2-53, 2-61
24047	2-103, 2-105, 2-107, 2-109	31613	2-3, 2-157, 2-159, 2-3	34065	2-35
		31646	2-163	34096	2-27
24299	2-4, 2-5	31722	2-153	34176	4-15
24339	2-131	31755	2-111, 2-113	34178	4-3, 4-5
24358	2-199, 2-201, 3-7, 4-37, 4-39, 4-41	31922	3-9	34179	4-3, 4-5
		32129	2-53, 2-205	34312	2-15, 2-199
24555	2-189	32270	2-13	34323	2-31
24576-1	3-9, 3-19	32376	2-35	34355	2-149, 2-153
24576	3-19	32483	2-39, 2-41, 2-43, 2-65, 2-91, 2-93, 2-101, 2-117, 2-119, 2-127, 2-137, 2-139	34357	2-121, 2-123, 2-125, 2-127
24899AM	2-169			34359	2-27, 2-29, 2-161, 2-163, 2-167, 2-175
24924	2-53	32485	2-45, 2-47, 2-49, 2-127, 2-143		
24928-1	2-103, 2-105, 2-107, 2-109				
24976	2-65				

# CROSS REFERENCE

Part Number	Page Number	Part Number	Page Number	Part Number	Page Number
34390	2-19, 2-29, 2-157, 2-159, 2-179	370854	6-11	371759	2-67, 2-69
34725	2-27	370855	6-13	371761	2-39, 2-41, 2-43
34823	2-129	370873	6-3	371762	2-39
34848	3-9	370875	6-24	371763	2-55
34868	2-33	370876	5-21, 6-21	371764	2-55, 2-67, 2-69
35002	2-121	370888	6-22	371765	2-55
35756	2-45, 2-47, 2-49	370889	6-22	371766	2-55, 2-67, 2-69
35843	3-33	370890	6-22	371767	2-55, 2-67, 2-69
35980	2-37	370891	6-22	371768	2-67, 2-69
36014	5-23, 6-23	370892	6-22	371770	2-45
36048	5-15, 6-15	37127	5-11	371875	2-59, 2-75
36050	2-3, 2-53, 2-3	371500	2-51	371877	2-59, 2-75
361046	2-153	371502	2-51	371891	7-3
36164	5-21, 6-21	371503	2-51	371894	2-67, 2-69, 4-45
36165	2-35, 2-55, 2-67, 2-69	371504	2-51	371895	2-67, 2-69, 4-47
36192	3-20, 3-21, 3-28	371505	2-51	371896	2-55, 4-49
36268	5-3, 5-6, 6-3, 6-6	371507	2-39	371897	2-55, 4-51
363215	2-133, 2-135	371508	2-39, 2-41, 2-43	371898	4-49, 4-51
36328	2-21, 2-169	371509	2-39, 2-41, 2-43, 2-45, 2-59, 2-75	371899	4-49, 4-51
363543	2-195	371512	2-39, 2-41, 2-43	371901	4-49
36438	3-19	371516	2-39, 2-41, 2-43	371902	4-49, 4-51
36439	3-19	371517	2-39	371908	4-49, 4-51
36466	2-183	371518	2-39, 2-41, 2-43	371921	2-265
365080	2-217	371519	2-39, 2-41, 2-43	372235	2-278, 2-279
365164	2-193	371520	2-39, 2-41, 2-43	372236	2-278, 2-279
36643	2-181	371526	2-45, 2-47, 2-49	372237	2-278, 2-279
36658	2-25	371527	2-45, 2-47, 2-49	372251	7-7
36661	2-25, 2-97, 2-99, 2-101	371528	2-45	372440	2-99, 2-101
36663	2-25	371529	2-45	372445	2-41, 2-43
36665	2-25	371532	2-55	372456	2-41, 2-43
36666	2-25	371538	2-55, 2-67	372457	2-41
368132	2-115	371553	2-59, 2-75	372458	2-41, 2-43
369704	2-23	37157	5-5, 5-11	372464	7-7
369719	2-63	371572	2-39	372466	2-57, 2-59, 2-75
369723	2-63	371573	2-89, 2-91	372470	2-59, 2-71, 2-75
369745	2-83, 2-85	371646	4-45, 4-47, 4-49	372472	2-57, 2-59, 2-71, 2-75
369746	2-83, 2-85	371647	4-45, 4-47	372473	2-41, 2-43
369747	2-83, 2-85	371649	4-49, 4-51	372474	2-41, 2-43
369781	2-133, 2-163, 2-167	371651	4-45, 4-47, 4-49, 4-51	372479	2-41, 2-43
369810	2-13	371653	4-45, 4-47, 4-49, 4-51	372482	2-57
369811	3-5	371654	4-45, 4-47, 4-49, 4-51	372483	2-57, 2-59, 2-71, 2-75
369850	2-191, 2-193, 2-195, 4-39	371658	4-45, 4-47, 4-49, 4-51	372484	2-57, 2-71
370008	2-5	371660	4-45, 4-47, 4-49, 4-51	372488	2-57
370009	2-5	371661	2-97	372489	2-57, 2-71
370016	2-5	371662	2-97	372490	2-57, 2-71
370076	2-5	371665	4-45, 4-47	372491	2-91
370090	2-5	371666	4-45, 4-47	372492	2-57, 2-71
370092	2-5	371669	4-45, 4-47	372493	2-57, 2-71
370102	5-17, 6-17	371713	4-45, 4-47	372495	2-71
370103	5-17	371714	4-45, 4-47, 4-49, 4-51	372496	2-71
370829	5-9, 6-9	371715	4-45, 4-47, 4-49, 4-51	372497	2-71
370847	6-3	371716	4-49, 4-51	372498	2-71
370848	6-3	371718	4-45, 4-47, 4-49, 4-51	372500	2-71
370850	6-3	371719	2-67, 2-69	372501	2-71
370851	6-5	371749	2-67, 2-69	372503	2-71
370852	6-11	371750	2-67, 2-69	372504	2-71
370853	6-11	371754	2-67, 2-69	372505	2-71
		371755	2-67, 2-69	372506	2-71
		371757	2-67, 2-69	372507	2-71
		371758	2-67	372508	2-71

## CROSS REFERENCE

Part Number	Page Number	Part Number	Page Number	Part Number	Page Number
372510	2-71	373509	4-19	374604	3-41
372511	2-71	373510	4-19	374605	3-41
372512	2-71	373511	4-19	374607	3-43
372514	2-71	373512	4-19	374608	3-43
372515	2-71	373513	4-19	374613	2-173, 2-175, 2-177
372516	2-71	373514	4-19	374615	2-63
372517	2-71	373515	4-19	37462	4-21
372518	2-71	373516	4-19	374625	2-53, 2-61
372523	2-71	373517	4-19	374628	2-165
372526	2-71	373518	4-19	374631	3-5
372527	2-71	373519	4-19	374648	2-63
372528	2-71, 2-75	373520	4-19	374649	2-63
372529	2-75	373521	4-19	374688	3-42
372531	2-71	373522	4-19	374689	3-42
372539	2-76	373523	4-19	374690	2-103, 2-105, 2-107, 2-109
372545	2-59, 2-71, 2-75	373524	4-19	374700	2-193
372569	2-71	373525	4-19	374701	2-193
372577	2-71	373526	4-19	374704	2-193, 2-195
372579	2-76	373527	4-19	37471	4-21
372581	2-71	373528	4-19	374712	2-193
372608	2-71	373529	4-19	374724	2-193, 2-195
372610	2-71	373530	4-19	374725	2-179
372611	2-71	373531	4-19	375014	3-29, 3-30
372612	2-71	373532	4-19	375193	2-37
372615	2-71	373533	4-19	375205	2-37
372859	2-71	373534	4-19	375322	3-3
372860	2-57	373535	4-19	375323	2-37
372891	2-57, 2-59, 2-71	373536	4-19	375410	2-9, 2-11
372899	2-71	373537	4-19	37555	4-7, 4-9, 4-11, 4-15
372937	2-69	373538	4-19	375586	2-117, 2-119
372942	2-99	373539	4-19	375718	2-53, 2-61
373317	4-27	373540	4-19	37616	4-3, 4-5
373327	4-27	373590	4-35	37704	4-21
373336	4-27	373611	4-35	377084	2-211
373337	4-27	373622	4-35	377351	2-173, 2-175, 2-177
373340	2-165, 4-9	373624	4-35	37756	4-3, 4-5
373346	4-27	373682	4-35	37766	4-3, 4-5
373391	4-27	374127	2-53, 2-61	379001	4-37
373393	4-27	374153	2-65	379030	2-173, 2-175, 2-177
373394	4-27	374155	2-65	379120	2-19
373395	4-27	374157	2-65	380726	2-117
373398	4-27	374274	6-24	380748	2-127
373402	4-27	374298	4-23	382516	2-221
373429	4-27	37448	4-21	38255	4-3, 4-5
373434	4-27	374507	2-21	383014	2-65
373482	4-35	374532	2-63	383165	2-221
373485	2-143, 4-27	37454	4-21	383170	2-65
373486	2-143, 4-19	374560	2-131	384971	2-76
373493	4-27	374561	2-131	384973	2-76
373494	4-27	374563	2-131	384974	2-59, 2-75
373499	4-27	374565	2-131	384975	2-75
373500	4-27	374568	3-31	384977	2-75
373501	4-27	374585	2-191	384978	2-75
373502	4-27	374586	2-179	384979	2-76
373503	4-27	374589	2-37	384985	2-59, 2-75
373504	4-19	374590	2-53	384986	2-75
373505	4-19	374591	2-61	384996	2-75
373506	4-19	374592	2-53, 2-61	384998	2-279
373507	4-19	374599	2-87, 2-89	384999	2-279
373508	4-19	37460	4-21		

# CROSS REFERENCE

Part Number	Page Number	Part Number	Page Number	Part Number	Page Number
385000	2-59, 2-75	392583	2-123, 2-125	393829	7-12
385001	2-59, 2-75	392584	2-123, 2-125	393830	7-12
385002	2-59, 2-75	392585	2-89	393831	7-12
385003	2-59, 2-75	392600	2-139	393832	7-7
385004	2-59, 2-75	392604	2-143	393833	7-7
385005	2-59, 2-75	392607	2-153	393834	7-11
385006	2-59, 2-75	392608	2-153	393835	7-11
385007	2-59, 2-75	392609	2-143	393836	7-11
385008	2-59, 2-75	392611	2-45, 2-47, 2-49	393837	7-11
385009	2-101	392629	2-101	393838	7-11
385010	2-279	392636	2-97, 2-99	393839	7-11
385011	2-76	392638	2-123	393840	7-11
385012	2-75	392639	2-81	393841	7-11
385013	2-76	392641	2-81	393842	7-11
385014	2-75	392646	2-153	393843	7-11
385015	2-75	392647	2-123, 2-125, 2-127	393844	7-11
385016	2-75	392648	2-81	393845	7-11
385017	2-75	39272	2-129	393846	7-11
385018	2-279	39277	2-39, 2-41, 2-43, 2-83, 2-85, 2-119, 2-217	393848	7-9
385019	2-43	39278	2-127	393849	7-9
385411	2-35	39279	2-143, 2-157, 2-159	393850	7-9
385414	2-53	39284	2-93	393851	7-9
385417	2-35	39285	2-93, 2-137, 2-139	393852	7-9
385419	2-87	39309	2-35	393853	7-9
385420	2-87	39313	2-133	393854	7-9
385421	2-185	393203	2-115	393855	7-9
385423	2-185	393216	2-123	393856	7-9
385425	2-63	393223	3-44	393857	7-9
385426	2-37	393227	2-49	393858	7-9
385427	2-185	393255	2-195	393859	7-9
385428	2-213	393264	2-89	393860	7-9
385431	2-35	39349	2-133	393861	7-9
385433	2-37	39350	2-29, 2-117, 2-119, 2-131, 2-135	393862	7-9
385434	2-35, 2-213	393662	7-7	393863	7-9
385435	2-53	393663	7-7	393864	7-11
385436	2-61	393806	7-7	393865	7-9
385437	2-53, 2-61	393807	7-7	393866	7-11
385439	3-44	393808	7-7	393867	7-9
385665	2-197	393809	7-7	393868	7-9
388134	2-13	393810	7-7	393869	7-9
388555	6-13	393811	7-7	393870	7-9
38968	4-3, 4-5	393812	7-7	393871	7-9
391451	2-199, 2-205	393813	7-7	393872	7-7
391890	4-49	393814	7-7	393873	7-11
391891	4-45	393815	7-7	393874	7-11
391946	3-5	393816	7-7	393875	7-11
39210	2-117, 2-119, 2-167	393817	7-12	393876	7-11
392258	2-69	393818	7-12	393877	7-11
392561	2-39	393819	7-12	393878	7-11
392562	2-265, 2-278	393820	7-12	393879	7-11
392563	2-39	393821	7-12	393880	7-11
392565	2-39, 2-41, 2-43	393822	7-12	393881	7-11
392570	2-55, 2-67, 2-69	393823	7-12	393882	7-7
392574	2-39, 2-41	393824	7-3, 7-9, 7-11, 7-12	393883	7-7
392575	2-39, 2-41, 2-43	393825	7-12	393884	7-7
392576	2-39, 2-41, 2-43	393826	7-11, 7-12	393886	7-7
392577	2-81	393827	7-12	393887	7-7
392580	2-155	393828	7-12	393888	7-7
392581	2-97			393889	7-7
392582	2-97			393890	7-7

# CROSS REFERENCE

Part Number	Page Number	Part Number	Page Number	Part Number	Page Number
393895	7-3	393956	7-3	41579	2-5, 2-205
393896	7-3	393957	7-3	41619	2-9, 2-11, 2-177, 2-181, 2-185
393897	7-3	393958	7-3	42011	2-45, 2-47, 2-49
393898	2-55, 2-57, 2-69, 2-71, 7-3, 7-5	393959	7-3	42120-1	2-27
393899	7-3	393960	7-3	42213	2-141
393900	7-3	393961	7-3	42215	2-157
393901	7-3	393962	7-3	42223	2-131, 2-141, 2-143
393902	7-3	393963	7-3	42226	2-29, 2-141, 2-161
393903	7-3	393964	7-3	42368	2-99, 2-101
393904	7-3	393965	7-5	43290	2-167, 2-171
393905	2-55, 2-57, 2-69, 2-71	393966	7-5	43611	2-113, 2-115
393906	2-55, 2-57, 2-69, 2-71	393967	7-5	43844	2-53, 2-61, 2-95, 2-97, 2-99, 2-101, 2-113, 2-115, 2-127, 2-191, 2-193, 2-195, 3-7
393907	2-55, 2-57, 2-69, 2-71	393972	2-67, 2-69	43952	2-113, 2-115
393908	2-55, 2-57, 2-69, 2-72	393973	2-39	44078	2-219
393909	2-55, 2-57, 2-69, 2-72	393975	2-39	44681-1	3-13, 3-17
393910	2-55, 2-57, 2-69, 2-72	393982	2-51	44681-2	3-13, 3-17
393911	2-55, 2-57, 2-69, 2-72	393984	2-39, 2-57, 2-59, 2-71, 2-75	44681	3-13, 3-17
393912	2-55, 2-57, 2-69, 2-72	393994	2-39, 2-41, 2-43, 2-45	44868	2-31, 2-143, 2-157, 2-159, 2-173, 2-175, 2-177
393913	2-55, 2-57, 2-69, 2-72	393998	2-45, 2-47, 2-49	44869	2-29, 2-117, 2-119, 2-135, 2-157, 2-159, 2-169, 2-179
393914	2-55, 2-57, 2-69, 2-72	394916	2-278, 2-279	44906	3-33
393915	2-55, 2-57, 2-69, 2-72	39527	4-15	45261	3-35
393916	2-55, 2-57, 2-69, 2-72	39534	2-31, 2-217	45272	3-15, 3-17
393917	7-3	396278	2-155	45622	4-3, 4-5
393918	7-3	39703-2	2-3, 2-3, 5-3, 6-3	45623	4-3, 4-5
393919	7-5	39780-1	2-33	45628	4-7, 4-9, 4-11, 4-15
393920	7-5	397889	2-211	45779	3-11, 3-13, 3-15, 3-17
393921	7-5	39810	2-143	45780	2-13
393922	7-5	398208	2-133	46236	2-19, 2-25, 2-33, 3-15, 3-17
393923	7-5	398279	2-83, 2-85	46481	2-179
393924	7-5	398346	2-3, 2-3	46563	2-135
393925	7-5	398468	2-203	46611	2-65
393926	7-5	398474	2-203	46785-1	2-185
393927	7-5	40362	2-157, 2-159	47167	2-55, 2-57, 2-67, 2-69
393928	7-5	40585	2-97	47178-6	2-13
393929	7-5	40607	2-33, 2-63	47313A	2-53
393930	7-5	40678	2-35, 3-9, 3-18	47501	2-165
393931	7-5	40814	2-185	47504	2-37
393932	7-5	41016	2-97, 2-99	47512	2-119
393933	7-3	41130	2-213, 2-215, 2-217	47522	2-131
393934	7-3	41140	2-95	47585	2-219
393935	7-3	41142	2-47, 2-49	47638	2-159
393936	7-3	41178	2-31, 2-91, 2-93, 2-117, 2-119	47701	3-3
393937	7-3	41185	2-121	47720	2-63, 2-105
393938	7-3	41186	2-13, 2-47, 2-49, 2-111, 2-113, 2-115, 2-119, 2-187, 2-213, 2-215, 2-217	47745	2-165
393939	7-5	41187	2-37, 2-39, 2-41, 2-43, 2-137, 2-139, 2-141, 2-185	47752	2-157, 2-159
393940	7-5	41305	2-181, 2-183, 2-187	47801	2-27, 2-131
393941	7-5	41342	2-187	48079	2-173, 2-175, 2-177, 2-181
393942	7-5	41421	2-201	48126	2-95, 2-97, 2-99, 2-101
393943	7-5	41430	2-31, 2-87, 2-89, 2-91, 2-137, 2-139, 2-167	48267	2-95, 2-97, 2-99
393946	7-5	41440	3-3		
393947	7-5	41451	2-201		
393948	7-5	41454	2-201		
393949	7-5				
393950	7-5				
393951	7-3				
393952	7-3				
393953	7-3				
393954	7-3				
393955	7-3				

# CROSS REFERENCE

Part Number	Page Number	Part Number	Page Number	Part Number	Page Number
48282	2-105	53076	2-141, 2-143	54659	2-169
48570	3-9	53077	2-111, 2-113, 2-115	54660	2-165
48617	2-151, 2-155	53395-2	2-105	54680	2-169
48629	2-117, 2-119	53400-1	2-103, 2-105, 2-107, 2-109	54848	2-163, 2-167
48734	3-29, 3-30	53400-4	2-103, 2-105, 2-107, 2-109	54878	2-169
48739	3-29, 3-30	53435	4-7	54911-32	2-121, 2-123, 2-125, 2-127, 5-3, 6-3
48742	3-29	53466	2-31, 2-125, 2-161, 2-165, 2-195, 2-205	54922	2-5
48743	3-30	53576	3-33	54923	2-5
48813	4-14	53610	3-33	54925	2-5
48988	3-3	53786	2-25	54927	2-5
49263	2-221	53845	3-22	55021	2-21
49266	2-63, 2-99, 2-101, 2-115, 2-137, 2-139, 2-177, 2-179, 2-191, 2-193, 2-197, 2-199, 3-7, 3-9, 3-11, 3-13, 3-19	53910	2-27	55035	2-201
49800	3-37	53915	2-27	55130	2-25
49826	2-185	53965	2-165	55248	3-11, 3-13, 3-19
49924	2-173, 2-175, 2-177	53984	2-165	55272	3-11, 3-13, 3-15, 3-17
49934	2-51	53985	2-169	55347	2-39, 2-41, 2-43
50121	2-29, 2-31, 2-167, 2-171	54013	2-3, 2-21, 2-3	55433	2-9, 2-11
50238	2-199, 3-3	54014	2-3, 2-21, 2-3	55586	2-19, 2-29, 2-131, 2-159, 2-161, 2-169, 2-173, 2-177, 2-217
50256	2-199, 3-3	54050	2-165	55685	2-135, 2-219
50304	3-28	54051	2-131	55686	2-117, 2-119
50335	2-39, 2-41, 2-43, 2-99, 2-101	54052	2-131	55697	2-153
50902	2-47, 2-49, 2-173, 2-175, 2-177	54086	2-131	55700	2-149, 2-153
50960	2-141, 2-157	54087	2-131	55779	2-169
51109	2-135	54089	2-3, 2-21, 2-3	55864	2-3, 2-21, 2-3
51225	2-165, 3-35	54093	2-111, 2-113	55879	2-21
51305	2-69, 2-111, 2-113, 2-115, 2-127	54096	2-27, 2-167, 2-171	55884	2-21
51317	2-27, 2-169	54121	2-25	55889	2-21
51322	2-113, 2-115	54140	2-99	55890	2-3, 2-21, 2-3
51338AM	2-131, 2-133, 3-41, 3-42, 3-43	54182	2-7	55892	2-21
51339	2-131, 2-133	54184	2-7	55893	2-27
51448	2-169	54190	2-7	55914	2-27
51449	2-169	54192	2-7	55926	4-27
51534	2-27	54194	2-141	55930	4-23, 4-25
51538	2-165, 3-33, 3-35	54197	2-7	55932	4-23, 4-25, 4-27
51560-3	2-79, 2-81	54204	2-169	55937	4-23, 4-25
51560-5	2-83, 2-85	54274	2-29, 2-31, 2-87, 2-89, 2-111, 2-113, 2-115, 2-117, 2-119, 2-135, 2-137, 2-139, 2-161, 2-179, 2-213, 2-215, 2-217	55939	4-23, 4-25
51564	2-37, 2-169	54275A	2-31, 2-213, 2-215, 2-217	55941	4-23, 4-25
51570	3-18	54333	2-99, 2-191, 2-193, 2-195, 2-203, 2-205, 2-207, 5-3, 6-3	56166	2-187
51787	2-15, 3-28	54390	2-133	56185	2-219
51839	2-63, 2-65, 2-81	54396	2-39, 2-41, 2-43, 2-123, 2-125	56186	2-211, 2-225, 3-11, 3-13, 3-15, 3-17, 3-19
52142	2-121, 2-123, 2-125, 2-127	54400	2-133, 2-163, 2-167	56346	2-221
52296	2-163, 2-167	54437	2-133	56610	2-25
52386	4-23, 4-25	54467	2-133	56624	2-133, 2-163, 2-167
52402	2-117, 2-119, 2-157, 2-159	54567	2-133	56690	2-99, 2-157, 2-179, 2-219
52405	4-3, 4-5	54577	2-133	56692	2-157, 2-159, 2-165, 2-213, 2-215, 2-217
52911	2-143	54607	2-135	56820	2-157
52929	2-117, 2-119	54615	2-13	56820	2-117, 2-119, 2-131, 2-179
53029	2-61, 2-95	54618AM	2-185	56821	2-143, 2-217
				56835	2-141
				56855	3-35
				56872	2-7, 3-31
				56890	2-7
				56914	2-9, 2-11, 3-31



# CROSS REFERENCE

Part Number	Page Number	Part Number	Page Number	Part Number	Page Number
56976A	2-63, 2-103, 2-105, 2-107, 2-109	59105	2-21	61363	2-35, 2-45, 2-47, 2-49
56992	2-13	59192	2-9, 2-11	61490	4-7, 4-11, 4-15
57160	2-151, 2-155	59375	2-35	61529	2-35
57164	2-225	59378	4-14	61531	2-35
57167	2-225	59431	2-5	61683	2-111, 2-113, 2-115
57173	2-151, 2-155	59432	2-5	61891	4-23, 4-25
57219	2-151, 2-155	59440	2-5	61920	3-19
57220	3-11, 3-13	59442	2-23	61931	2-35
57224	2-193	59447	3-11, 3-13	62100	2-149, 2-153
57297	2-103, 2-105, 2-107, 2-109	59448	2-23	62377	2-125
57411	2-175	59514	2-9	62378	2-123, 2-125
57479	2-111, 2-113, 2-115, 2-157, 2-159	59537	2-11	62389	2-141
57487	2-155	59538	2-9	62595-16	2-17
57751	2-225, 3-7, 3-11, 3-13, 3-15, 3-17, 3-19	59542	2-19	62595-6	2-23
57772	2-211	59545	2-25	630094	2-65
57803	2-225, 3-7, 3-11, 3-13, 3-15, 3-17, 3-19	59579	2-151, 2-155	63248-1	2-5
57804	2-278, 2-279	59629	2-25	63248-2	2-5
57807	2-191, 2-193, 2-195	59656	2-31	63248-3	2-5
57897	4-23, 4-25	59658	2-179	63248-4	2-5
57934	2-53	59668	2-137, 2-139	63292	2-137, 2-139
57944	2-149, 2-153	59672	2-137, 2-139	63310	2-35
57949	2-149, 2-153	59680	2-3, 2-21, 2-3	63430	3-28
57963	2-151, 2-155	59681	2-3, 2-21, 2-3	63448	3-28
57966	2-151, 2-155	59685	2-3, 2-21, 2-3	63451	3-28
57971	2-149	59686	2-3, 2-21, 2-3	63516	2-169
57972	2-151, 2-155	59687	2-3, 2-21, 2-3	63695	2-37, 2-39, 2-41, 2-43
57988	2-19, 2-135, 2-159	59688	2-3, 2-21, 2-3	63810	2-53, 2-63, 2-65, 2-71, 2-75, 2-81
58078	2-27	59692	2-9, 2-11	63818	2-111, 2-113, 2-115
58103	2-21	59735	2-31	63923	4-43
58114	2-213, 2-215, 2-217	59737	2-23	63987-1	2-191, 2-193, 2-195
58120	2-3, 2-79, 2-81, 2-3	59738	2-23	64038	5-17, 6-17
58121	3-39	59739	2-23	64173AM	2-181, 2-183
58366	2-37, 2-41, 2-43, 2-143, 2-225	59849	2-19	64425	2-181, 2-183, 2-189
58482	2-25	59899	2-163	64533	2-15
58483	2-25	59949	2-13	64535	2-23
58494	2-15, 2-23, 2-171, 3-20, 3-21, 3-28	59962	3-9	64543	2-15
58500	2-23	59965	2-19	64545	2-15
58518	3-11, 3-15	59966	2-27	64595	2-23
58519	3-11, 3-15	59967	2-31	64651	2-219
58520	3-11, 3-15	59971	2-221	64655	2-219
58524	2-23	59976	2-221	64740	2-69
58538	2-79, 2-81	59977	2-221	64743	2-207
58589	2-103, 2-105, 2-107, 2-109	60284	3-9	64778	2-207
58590	2-103, 2-105, 2-107, 2-109	60288	3-11, 3-13	64886	2-131
58770	2-9, 2-11	60293	2-129	64887	2-131
58842	2-131	603012	2-205	64899	2-45, 2-47
58846	2-53	60559	2-35	65145-1	2-141, 4-27
58858	2-157, 2-159	60751	3-9	65215	3-40
59004	2-23	60806	5-5, 5-6, 6-5, 6-6	65221	2-3, 2-121, 2-123, 2-125, 2-127, 2-3
59009	2-135	60812	5-22	65224	2-151, 2-155
59015	2-95	60813	5-22, 6-22	65441	2-137, 2-139
		60814	5-22, 6-22	65587	2-191
		60817	5-6, 6-6	65869-5	2-3, 2-3
		60833	5-5, 5-13, 5-19, 6-5, 6-13, 6-19	66018	2-5
		60834	6-5, 6-13	66019	2-5
		60836	5-21, 6-21	66176	3-33
		60846	5-24, 6-24	66177	3-33
		60846AM	2-3, 2-3	66178	3-33
		60938	2-35, 5-9, 6-9		

# CROSS REFERENCE

Part Number	Page Number	Part Number	Page Number	Part Number	Page Number
66179	3-33	70832	2-87, 2-89	72859	2-177
66185	2-21	70876	2-53, 2-61	72860	2-173
66211	2-133	71167	3-5	72864	2-183
66213	2-133	71168	3-5	72884	2-11
67004	3-28	71199	2-189	72887	2-11
67310	2-135, 2-141	71425	2-191	72888	2-9
67366	2-195	71427	2-55	72895	2-19
67683	2-157, 2-159	71477	3-22	72897	2-19
67767	2-99, 2-103, 2-105, 2-107, 2-109, 2-127, 2-191, 2-193, 2-195	71540	2-165	72898	2-19
68866	2-137, 2-139	71543	3-15, 3-17	72899	2-19
68872	2-129	71544	3-19	72910	2-187
68873	2-129	71557	2-149, 2-153	72919	2-185
69097	2-61	71607	2-181, 2-183	72926	2-131
69173	2-31, 2-179	71608	2-181, 2-183	72934	2-181, 2-183
69234	2-129, 2-193	71665	2-191, 2-193, 2-195	72945	2-177
69582	2-181, 2-183	71719	2-119	72946	2-177, 3-35
69784	2-197, 3-5	71743	2-153	72968	2-7, 2-9, 2-11, 2-21, 3-31
69904	2-7	72065	2-23	72969	2-23
69915	2-7	72067	2-3, 2-3	72970	2-13, 2-211, 2-225
69931	2-9, 2-11	72068	2-3, 2-3	72971	2-23
69963	2-5	72069	2-9, 2-11	72977	2-129
69998	2-185	72071	2-21	72978	2-81
70006	2-157, 2-159	72086	3-33	72980	2-21
70094	4-23, 4-25	72087	3-33	72981	2-21
70095	4-23, 4-25	72114	3-11, 3-13	72989	3-7
70096	4-27	72120	2-9, 2-11	72990	3-7
70097	4-23, 4-25	72159	2-21	72991	3-7
70098	4-23, 4-25	72178	3-9	73017	2-61
70099	4-23, 4-25	72458	2-169	73020	2-63
70100	4-23, 4-25, 4-27	72560	2-99	73027	2-219
70101	4-23, 4-25	72599	2-171	73028	2-87
70103	4-23, 4-25	72635	2-213, 2-215, 2-217	73034	2-197
70157	2-127	72663	2-173, 2-175, 2-177	73061	2-219
70158	2-133	72688	2-111, 2-113, 2-115	73068	2-19
70160	2-35	72699	2-37	73072	2-37
70161	2-133	72715	2-185	73077	2-19
70173	2-95, 2-97, 2-99	72735	2-133	73089	2-163, 2-187
70178	2-23	72740	2-163	73090	2-173, 2-175, 2-177, 4-11
70182	2-23	72741	2-163	73093	2-219, 4-17
70185	2-23	72743	2-163	73098	2-117, 4-12
70219	2-219	72763	2-171, 2-185	73101	2-141, 4-21
70222	3-31	72768	2-171	73102	4-23
70223	3-31	72773	2-173, 2-175, 2-177	73106	2-111
70224	3-31	72775	2-173, 2-175, 2-177	73107	2-149
70226	3-31	72776	2-171	73108	2-117, 2-119, 2-135
70227	3-31	72777	2-173, 2-175, 2-177	73109	2-141
70228	3-31	72805	2-19	73111	2-141
70229	3-31	72814	2-13	73112	2-213, 2-215, 2-217, 4-13
70230	3-31	72824	2-17	73113	2-121
70275	2-9	72832	2-173, 2-175, 2-177	73142	2-197
70276	2-11	72833	2-171	73145	2-199, 3-3
70622	2-219	72836	2-171	73147	2-199, 3-3
70623	2-219	72837	2-183	73149	2-201
70628	2-15	72838	2-183	73205	2-223
70636	2-121	72839	2-173, 2-175, 2-177	73230	2-223
70709	2-219	72842	2-173, 2-177	73234	2-223
70717	2-219	72847	2-167	73235	2-223
70767	2-95	72848	2-167		
		72849	2-167		
		72858	2-167		

# CROSS REFERENCE

Part Number	Page Number	Part Number	Page Number	Part Number	Page Number
73239	2-223	73982	5-22	74232	4-17
73258	2-169	73995	2-3, 2-3, 5-21, 6-5,	74233	4-12, 4-13, 4-14
73260	3-7, 4-43		6-21	74234	4-17
73261	2-167	73996	5-23, 6-23	74235	4-23, 4-25
73266	2-121	74058	2-121	74236	4-17
73270	2-213, 2-215, 2-217	74068	2-217	74237	4-23, 4-25, 4-27
73281	2-131	74094	4-7, 4-9, 4-11, 4-15	74238	4-23, 4-25, 4-27
73289	2-37	74095	4-11, 4-15	74239	4-23, 4-25
73302	2-19	74098	4-3, 4-5, 4-9, 4-11,	74240	4-21
73320	2-25		4-15, 4-29, 4-31, 4-33,	74241	4-17
73321	2-25		4-35	74242	4-17
73322	2-25	74099	4-11, 4-15, 4-19	74243	4-17
73323	2-25	74100	4-7, 4-9, 4-11, 4-15	74244	4-17
73342	2-197, 4-37, 4-39,	74101	4-7, 4-9	74245	4-17
	4-41	74122	4-3, 4-5	74247	4-21
73370	2-185	74123	4-3, 4-5	74248	4-23, 4-25
73372	2-185	74125	4-3, 4-5	74249	4-3, 4-5
73375	2-185	74137	4-3, 4-5	74250	4-7, 4-9, 4-11, 4-15
73377	2-21	74145	4-31	74375	3-33
73397	2-31	74162	2-131, 4-3	74379	3-33
73399	2-29	74165	4-3, 4-5	74380	3-33
73403	3-18	74166	4-3, 4-5	74381	3-33
73404	3-20	74167	4-3, 4-5	74382	3-33
73405	3-15, 3-17	74168	4-3, 4-5	74383	3-33
73408	3-20	74171	4-3, 4-5	74402	2-61
73411	2-137, 2-139	74174	4-15	74409	2-23
73412	3-20, 3-21	74175	4-11	74443	2-53, 2-61
73421	3-19	74177	4-11	74468	2-169, 4-15
73423	2-137	74178	4-11	74469	4-23, 4-25
73425	3-9	74180	4-25, 4-27	74509	5-15, 6-15
73430	2-141, 2-143, 4-42	74183	4-17	74516	5-3, 6-3
73433	3-3	74185	4-17	74527	5-15, 6-15
73440	3-9	74192	4-17	74536	5-7, 6-7
73446	2-37	74193	4-17	74538	5-5, 5-23, 6-5, 6-23
73455	3-9	74196	4-17	74545	5-19, 6-19
73457	3-11, 3-13	74198	4-21	74548	5-19, 6-19
73461	3-15	74199	4-21	74552	5-19, 6-19
73463	3-17	74200	4-21	74561	5-11, 6-11
73468	2-197, 3-3	74201	4-21	74944	2-121, 2-123, 2-125,
73470	3-18	74202	4-21		2-127
73478	3-3	74203	4-21	75050	2-189
73817	2-61	74204	4-21	75272	2-13
73917	5-3, 5-15, 6-3, 6-15	74205	4-21	75375	2-117, 2-119
73920	5-3, 6-3	74206	4-21	75456-3	2-213, 2-215, 2-217
73921	5-3, 6-3	74207	4-21	75456-4	2-213, 2-215, 2-217
73927	5-6, 6-6	74208	4-21	75520	2-167
73936	5-6, 6-6	74209	4-21	75611	2-197, 2-199
73937	5-19, 6-19	74210	4-21	75635AM	3-29, 3-30
73950	5-3, 6-3	74211	4-21	75934	2-137, 2-139
73954	5-19, 6-19	74212	4-21	75968	2-219
73958	5-3, 6-3	74213	4-21	76099	2-9, 2-11
73967	5-19, 6-19	74221	4-23, 4-25	762521	2-13
73970	5-19, 6-19	74222	4-17	76315	2-141
73975	5-3	74225	4-23, 4-25, 4-27	76570	2-85, 2-93
73977	5-22	74226	4-23, 4-25, 4-27	76736	2-95
73978	5-22	74227	4-23, 4-25	76762	2-51, 2-149, 2-153
73979	5-22	74229	4-23, 4-25	76943	2-189
73980	5-22	74230	4-23, 4-25	76955	2-47, 2-49, 2-115
73981	5-22	74231	4-17	76956	2-45, 2-51

# CROSS REFERENCE

Part Number	Page Number	Part Number	Page Number	Part Number	Page Number
76957	4-27	78143	2-121, 2-141	79399	2-35
769806	2-67, 2-69	78398	3-3, 4-37, 4-41	79425	2-25
769808	2-55, 2-67	78730	2-3, 2-157, 2-159, 2-3	79447	2-187
77097	2-19, 2-27, 2-29, 2-31, 2-161, 2-165, 2-167, 2-171, 2-173, 2-177, 2-179, 2-187, 2-213, 2-215	78732	3-11, 3-13	79497	3-3
77098	2-161	78740	2-197	79628	5-9, 6-9
77211	2-13	78750	2-123, 2-125	79629	5-9, 6-9
77221	2-288	78775	2-151, 2-155	79630	5-9, 6-9
77222	2-213, 2-215, 2-217	78776	2-149, 2-153	79631	5-9, 6-9
77224	2-185	78777	2-149, 2-153	79632	5-9, 6-9
77227	2-189	78779	2-151, 2-155	79633	5-9, 6-9
77228	2-189	78780	2-151, 2-155	79634	5-9, 6-9
77234	2-201	78781	2-151, 2-155	79635	5-9, 6-9
77235	2-13	78785	2-137, 2-139	79636	5-9, 6-9
77237	3-5	78787	2-27	79638	5-9, 6-9
77239	2-141	78808	3-28	79640	5-9, 6-9
77260	2-179	78810	2-151, 2-155	79710	4-42
77272	2-189	78811	2-149, 2-153	79711	4-29, 4-31, 4-33, 4-35
77273	2-185	78820	2-151, 2-155	79713	4-42
77275	2-185	78821	2-151, 2-155	79714	4-42
77276	2-185	78829	4-37, 4-39, 4-41	79715	4-42
77277	2-185	78830	4-37, 4-41	79716	4-29, 4-31, 4-33, 4-35
77287	2-87	78833	4-37, 4-39, 4-41	79718	4-31, 4-33, 4-35
77289	2-121	78836	4-37, 4-39, 4-41	79719	4-29, 4-31
77297	2-7	78838	4-37, 4-41	79721	4-31
77298	2-7	78839	4-37, 4-39, 4-41	79722	4-31, 4-33, 4-35
77302	2-151, 2-155	78840	2-197, 4-37, 4-39, 4-41	79723	4-31, 4-33, 4-35
77303	2-149, 2-153	78841	4-37, 4-39, 4-41	79724	4-31
77304	2-149, 2-153	78842	4-37, 4-39, 4-41	79725	4-31
77305	2-149, 2-153	78843	4-37, 4-39, 4-41	79726	4-31, 4-33, 4-35
77306	2-149, 2-153	78844	4-37, 4-39, 4-41	79727	4-31, 4-33, 4-35
77307	2-149, 2-153	78845	2-79, 2-81	79728	4-29, 4-31, 4-33, 4-35
77308	2-149	78855	2-13	79731	4-29, 4-33, 4-35
77309	2-149	78875	4-43	79732	4-29
77311	2-151, 2-155	78886	2-31	79733	4-29
77312	2-149	78887	2-31	79735	4-33, 4-35
77314	2-149	78897	2-53	79736	4-33
77315	2-149, 2-153	78898	2-157, 2-159	79737	4-33, 4-35
77316	2-149	78904	3-33	79738	4-31, 4-33, 4-35
77320	2-213, 2-215, 2-217	78906	2-19	79740	4-29, 4-31, 4-33, 4-35
77322	3-28	78907	2-19	79770	2-141, 4-25
77331	2-181	78928	2-111	79828	4-3, 4-5
77333	2-181	78935	3-9	79956	5-9, 6-9
77334	2-191, 2-193	78936	2-19	79957	5-9, 6-9
77335	2-163	78937	2-95, 2-97	79960	5-9, 6-9
77336	2-163	78942	3-38	79961	5-9, 6-9
77337	2-151, 2-155	78944	2-167	79962	5-9, 6-9
77338	2-149	78979	2-189	79963	5-9, 6-9
77343	2-197, 2-199	78981	3-22	79964	5-9, 6-9
77345	2-131	78983	3-38	79965	5-9, 6-9
77347	2-181, 2-183	78985	3-24	79966	5-9, 6-9
77352	2-288	78987	3-25	79967	5-9, 6-9
77359	2-151, 2-155	79217	2-189	79969	5-9, 6-9
77362	2-121, 2-123	79219	2-189	79970	5-9, 6-9
77375	2-23	79273-1	2-207	79972	5-15, 6-15
78122	2-103, 2-105, 2-107, 2-109	79320	2-201	79973	5-15, 6-15
		79376	2-171	79974	5-15, 6-15
		79380	2-213, 2-215, 2-217	79975	5-23, 6-23
		79381	2-121, 2-123, 2-125, 2-127	79976	5-15, 6-15
		79397	3-18	80950	2-115
				81952	2-189

# CROSS REFERENCE

Part Number	Page Number	Part Number	Page Number	Part Number	Page Number
82063	3-11, 3-15	83746	2-121	84027	2-288
82196	3-37	83749	2-187	84029	2-173
82200	3-13, 3-17	83750	2-35	84030	2-111, 2-113, 2-115
82229	2-29	83753	2-111	84035	2-15
82475	2-25	83756	2-187	84036	2-137, 2-139
82483	2-21	83768	2-35	84037	2-17
82544	2-97	83772	2-13	84038	2-17
82731	2-35	83775	2-17	84039	2-13
82739	2-33	83778	2-17	84040	2-13
82802	2-175	83780	2-187	84041	2-13
82814	2-151, 2-155	83781	2-187	84042	2-31
82817	2-149, 2-153	83784	2-111, 2-113, 2-115	84048	2-13
82825	2-161, 2-173, 2-177, 2-179, 2-187	83794	2-189	84049	2-13
82826	2-151	83798	3-3	84050	2-13
82832	2-131, 2-169	83799	3-3	84052	2-221
82833	2-177	83800	2-189	84053	2-223
82839	2-7, 2-137, 2-139	83801	2-189	84054	2-95, 2-97
82844	2-149, 2-153	83804	2-189	84055	2-95
83563	2-87, 2-89	83806	3-3	84056	2-191
83564	2-181, 2-183	83807	3-3	84057	2-191
83565	2-181, 2-183	83809	2-189	84061	2-221
83568	2-181	83810	2-189	84062	2-223
83569	2-183	83811	2-199	84065	2-15
83572	2-35	83812	2-199	84067	2-171
83575	2-113	83816	2-15	84071	3-28
83578	2-53, 2-63, 2-65	83822	2-13, 3-40	84073	3-19
83580	2-53, 2-63, 2-65	83827	2-15	84076	3-21
83581	2-35, 2-45, 2-47	83839	2-15	84078	3-44
83587	2-61	83841	2-95, 2-97, 2-99, 2-101	84079	2-3, 2-3
83630	2-191, 2-193	83842	2-13	84080	2-3, 2-3
83639	2-53	83843	2-15	84084	3-7
83640	2-61	83844	2-111, 2-113, 2-115	84086	2-17
83649	2-35	83845	2-111	84087	2-79
83662	2-37	83847	2-199	84092	2-183
83664	2-35	83853	2-35	84093	2-181
83669	5-17, 6-17	83856	2-15	84095	2-191, 2-193, 2-195
83670	2-37	83870	2-167	84097	2-157, 2-159
83673	2-37	83872	2-197	84098	2-13
83676	5-24	83873	2-15	84100	2-17
83677	5-24, 6-24	83874	2-189	84101	2-95, 2-97
83682	2-53, 2-61	83879	2-137, 2-139	84102	2-137, 2-139
83683	2-53, 2-61	83887	2-137, 2-139	84103	2-137, 2-139
83684	2-53, 2-61	83892	2-137, 2-139	84110	2-191, 2-193
83685	2-53, 2-61	83894	2-137, 2-139	84112	3-40
83686	2-53, 2-61	83897	2-137, 2-139	84116	2-183
83689	2-37	83898	3-20	84118	2-181
83690	2-121	83979	2-17	84119	2-191
83692	2-3, 2-35, 2-3	83987	2-213, 2-215	84121	2-191, 2-193
83703	2-137, 2-139	83989	2-137, 2-139	84122	2-149
83707	5-24	83992	2-189	84123	2-121
83721	2-257, 2-265, 2-278	84006	2-63	84127	2-113, 2-115
83723	2-257	84007	3-26	84128	2-113
83724	2-199	84008	4-14	84129	2-115
83725	2-7	84009	2-31, 4-14	84132	2-113, 2-115
83729	2-35	84010	2-179, 4-33	84134	2-113, 2-115
83731	2-35	84011	2-29, 4-29	84136	2-113, 2-115
83732	5-24, 6-24	84012	2-161, 4-31	84140	2-191
83733	2-187	84018	2-15, 3-20, 3-21, 3-28	84141	2-221
83740	2-111	84021	2-171	84145	2-149
				84146	2-149

# CROSS REFERENCE

Part Number	Page Number	Part Number	Page Number	Part Number	Page Number
84147	2-149, 2-153	84932	5-13	84999	5-9, 6-9
84148	2-151	84933	5-13	85390	3-44
84169	2-121, 2-123, 2-125, 2-127	84934	5-13	86041	2-35
84170	2-137, 2-139	84935	5-13	86240	2-133, 2-187
84581	2-165	84936	2-3, 2-3, 5-19, 6-19	86328	2-29, 2-97, 2-157, 2-159
84593	2-189	84937	5-13	86330	3-11, 3-13
84596	2-131	84938	5-13	86332	3-9
84597	2-131	84940	5-13	86508	3-3
84659	5-17, 6-17	84941	5-13	86591	2-197, 2-199
84875	5-3	84942	5-13	86636	2-199, 3-7
84876	5-3	84943	5-13	86755	2-197
84877	5-3	84944	5-13	86759	2-181, 2-183
84878	5-3, 6-3	84946	5-13	86824	2-55, 2-57, 2-191, 2-193, 2-195, 3-3
84879	5-3, 6-3	84947	5-13	86860	2-181, 2-183, 3-35
84880	5-3, 6-3	84950	5-21, 6-21	86865	2-183
84882	5-3, 5-24, 6-3, 6-24	84951	5-21, 6-21	86866	2-181, 2-183, 2-187
84883	5-3, 6-3	84952	5-21, 6-21	86952	2-173, 2-175, 2-177
84884	5-3, 6-3	84953	5-21, 6-21	87299	2-31
84885	5-5	84954	5-21, 6-21	87396	2-95, 2-97, 2-99, 2-101
84886	5-5	84955	5-21, 6-21	87536AM	2-221
84887	5-5, 6-5	84956	5-21, 6-21	87631	2-169
84888	5-5	84957	5-21, 6-21	87651	2-151, 2-155
84889	5-5, 5-11, 6-5, 6-11	84958	5-21, 6-5, 6-21	87652	2-151, 2-155
84891	5-5, 6-5	84961	5-21, 6-21	87677	2-173, 2-177
84892	5-5	84962	5-3, 6-3	87681	2-149, 2-153
84893	5-5	84963	5-11, 6-11	87816	2-181, 2-183
84894	5-5	84964	5-11, 6-11	87833	2-69
84895	5-7, 6-7	84965	5-11, 6-11	87866	2-221
84896	5-7, 6-5, 6-7	84966	5-11, 6-11	87948	3-9
84897	5-7, 6-7	84967	5-11, 6-11	9000355	2-101
84898	5-7, 6-7	84968	5-11	9000595	2-13
84899	5-7, 6-7	84969	5-11, 6-11	9000596	2-125
84900	5-7, 6-7	84970	5-11, 6-11	9000610	2-99
84901	5-7, 6-7	84971	5-11, 6-11	9000681	2-157, 2-159
84902	5-7, 6-7	84972	5-11	9000823	4-45
84903	5-7, 6-7	84973	5-11, 6-11	9000845	3-15, 3-17
84904	5-7, 6-7	84974	5-11, 6-11	9000846	3-11, 3-13
84905	5-7, 6-7	84975	5-11, 6-11	9000879	3-11, 3-13, 3-15, 3-17
84906	5-7, 6-7	84976	5-11, 6-11	9001064	2-117, 2-119
84907	5-6, 6-6	84977	5-11, 6-11	9001245	2-9
84910	5-6, 6-6	84978	5-11, 5-19, 6-11, 6-19	9001246	2-11
84911	5-22	84979	5-11, 6-11	9002675	2-157
84912	5-22	84980	5-11	9002708	4-41
84913	5-22	84981	5-11, 6-11	9002709	4-41
84914	5-22	84982	5-23, 6-23	9003054	2-199
84915	5-19, 6-19	84983	5-5, 5-23, 6-5, 6-23	9003609	2-101
84916	5-19, 6-19	84984	5-23, 6-23	97031	2-135
84917	5-19, 6-19	84985	5-15, 6-15	97163	2-137, 2-139
84919	5-19, 6-19	84987	5-23, 6-23		
84921	5-19, 6-19	84988	5-23, 6-23		
84923	5-13	84989	5-23, 6-23		
84924	5-13, 6-13	84990	5-15, 6-15		
84925	5-13, 6-13	84991	5-15, 6-5, 6-15		
84926	5-13, 6-13	84992	5-15, 6-15		
84927	5-13, 6-13	84993	5-23, 6-23		
84928	5-13	84994	5-23, 6-23		
84929	5-13	84995	5-15, 6-15		
84930	5-13	84996	5-15, 6-15		
84931	5-13	84997	5-15, 6-15		
		84998	5-23, 6-23		

## PART DESCRIPTION TO PAGE NUMBER CROSS REFERENCE LIST

## A

- Actuator, 2-53, 2-61  
 Adapter, Carburetor, Ford 2.3, 2-61  
 Adapter, Fuelline, 2-99  
 Adapter, Throttle Body, 2-71  
 Adapter, Valve, 400mm [Bosch], 2-75  
 Adaptor, Carburetor, 2-53  
 Adaptor, Elbow, Carburetor, 2-53  
 Adaptor, Filter, Remote, 2-51  
 Adaptor, Intake, Lpg [3.0L], 2-71  
 Adaptor, Valve, Fuel Trim, 2-71  
 Adaptor, Water Pump Machined, 2-35  
 Air Cleaner, 2-79, 2-81  
 Alarm Kit, Backup, 3-19  
 Alternator, 12vdc, 075a [Valeo], 2-45, 2-47, 2-49  
 Alternator, 2-35  
 Angle Wldt, Panel, 2-15  
 Angle, Battery, 2-129  
 Angle, Cable Keeper, 2-163, 2-167  
 Angle, Filler Plate, 3-31  
 Angle, Heat, Shield, 2-47  
 Angle, Hopper, 2-21  
 Angle, Retainer, Spring, 2-163, 2-173, 2-175, 2-177  
 Angle, Stiffener, Tray, Filter, 2-25  
 Angle, Stop, LP Strap, 2-103, 2-105  
 Angle, Stop, Lp Strap, 2-107, 2-109  
 Angle, Stop, 3-33  
 Angle, 2-63  
 Arm Assy, Lift, Lh W/Label, 2-19  
 Arm Assy, Lift, Rh W/Label, 2-19  
 Arm Assy, Safety W/Label, 2-19  
 Arm Kit, 7-3  
 Arm Wldt, Bottom, 2-185  
 Arm Wldt, Brush, Drive, 2-169  
 Arm Wldt, Idlerr, W/Brush, 2-169  
 Arm Wldt, Propel 8410, 2-137, 2-139  
 Arm Wldt, Support, Sqge,Lh, 2-173  
 Arm Wldt, Support, Squeegee,Rh, 2-177  
 Arm Wldt, Top, Lh, 2-185  
 Arm Wldt, Top, Rh, 2-185  
 Arm Wldt, 3-35  
 Arm.Thr.Ball, 5-9, 6-9  
 Arm, Adjmt, Alternator, 2-49  
 Arm, Alternator, 2-45, 2-47  
 Arm, Lift, 2-165  
 Arm, Propel, Lower 8410, 2-137, 2-139  
 Arm, Squeegee Lift Front, 2-181, 2-183  
 Arm, Squeegee Lift Rear, 2-181, 2-183  
 Arm, 2-35, 2-185  
 Armature, 5-9, 6-9  
 Armrest Assy, Rh, 3-22  
 Armrest, Molded, 2-13
- Balancer, 7-11  
 Ball Cl, 4-17  
 Ball Joint, 250-28, 2-137, 2-139  
 Ball, .313 Dia. Cp, 4-31, 4-33, 4-35  
 Ball, 4-3, 4-5, 7-3  
 Balljoint, Rod End 5/8-18, 2-185  
 Balljoint, Rod End, 2-131  
 Bar, Adjustment, Pivot, 2-171  
 Bar, Link, 2-27  
 Bar, Rnd Plstc .375D 14.62L, 2-199  
 Bar, Rnd Plstc .375D 14.62, 2-199  
 Bar,Shaker Spring, 2-25  
 Bar,Shaker, 2-25  
 Bar-Fit .06T 1.00W 4.00L,Rbr, 2-25  
 Bar-Fit .06T 4.00W 5.00L,Rbr, 2-25  
 Battery, 12V, Cc Amps:475 Wet, 2-129  
 Bearing Assy, 4-19  
 Bearing Cam,, 5-6, 6-6  
 Bearing Cam, 4-23, 4-25  
 Bearing Ce, 4-21  
 Bearing Cl, 4-17  
 Bearing Kit, .001 U.S., 7-7  
 Bearing Kit, .001" #1, 2, 3, 4, 7-11  
 Bearing Kit, .001" #5, 7-11  
 Bearing Kit, .010" #1, 2, 3, 4, 7-11  
 Bearing Kit, .020" #1, 2, 3, 4, 7-11  
 Bearing Kit, .025" #5, 7-11  
 Bearing Kit, .030" #1, 2, 3, 4, 7-11  
 Bearing Kit, Cshft [Fd], 6-13  
 Bearing Kit, Std #1, 2, 3, 4, 7-11  
 Bearing Kit, Std #5, 7-11  
 Bearing Kit, Std, 7-7  
 Bearing Kit, 7-7, 7-12  
 Bearing Race, 4-21  
 Bearing Thrust, 4-7, 4-9  
 Bearing, .016 Camshaft, 5-6, 6-6  
 Bearing, .625B X .38, 2-181, 2-183  
 Bearing, 1.00 Dia X .38 L, 2-187  
 Bearing, Ball, 2-35  
 Bearing, Brake, 2-135  
 Bearing, Cone, 1.38b 0.71w, 2-133  
 Bearing, Cone, Pump, Hyd, 4-27  
 Bearing, Cup, 2.56d 0.55w, 2-133  
 Bearing, Cup, 2.56Dia 0.55W, 3-41, 3-42, 3-43  
 Bearing, Cup, 4-27  
 Bearing, Flange .500B, 2-219  
 Bearing, Flange .625B X .50, 2-181, 2-183  
 Bearing, Flange, .750 Bore, 2-171, 2-185  
 Bearing, Flange, 1.00 Bore, 2-185  
 Bearing, Flange, 2-187  
 Bearing, Pillowblock, 1.02b [Solid Pye], 2-133  
 Bearing, Self Align, Sealed, 2-19  
 Bearing, Thrust .500, 2-181, 2-183, 3-35  
 Bearing, Thrust, Pump, Hyd, 4-27  
 Bearing, Thrust, 2-189, 4-23, 4-25  
 Bearing&Clr ,1.25B 2.44D 1.41W, 2-169  
 Bearing-Ball,1.38B 2.83D 0.67W, 2-169  
 Bearing-Cone, 1.38Bore 0.71Wth, 2-131  
 Bearing-Cup , 2.56Dia 0.55Wth, 2-131
- Bearing-Flange,2 Hole .625Bore, 2-27  
 Bearing-Flange,2 Hole 0.50Bore, 2-219  
 Bearing-Self Align 1.250 Bore, 2-27  
 Bearing, 4-21, 5-9, 5-22, 6-9, 6-22  
 Bellcrank Kit, Lower, 2-187  
 Bellcrank Kit, Upper, 2-187  
 Bellows Kit Gr, 4-43  
 Bellows, .75 Id 10.3L, 2-199, 3-3  
 Belt, Timing, Cam Fd, 2-3, 2-3  
 Belt, V, [3v] 39.6l [Hc41], 2-49  
 Belt, V, [3v] 40.0l, 1only [Hc38], 2-45, 2-47  
 Belt, V, 46.4l, Cogged [Hc38], 2-3, 2-3  
 Belt, V, 2-35  
 Blade Assy, Squeegee, Side, Rh, 2-181, 2-183  
 Blade, Deflector, 2-7  
 Blade, Squeegee, 2-189  
 Block Assy, 5-3, 6-3  
 Block, Mtg, Spacer, Plstc, 2-179  
 Bolt (1/4-20x.62), 7-9  
 Bolt (5/16-18x5/8), 7-9  
 Bolt (1/4-20x1/12 Hex), 7-12  
 Bolt (1/4-20x1/12), 7-12  
 Bolt (1/4-20x1/2), 7-9  
 Bolt (5/16-18x1.5 Hex), 7-12  
 Bolt Cl, 4-3  
 Bolt M12, 5-3, 5-6, 6-3, 6-6  
 Bolt M12X45, 5-19, 6-19  
 Bolt, Carm 8X1.25, 2-7  
 Bolt, Clutch, 2-39, 2-41, 2-43  
 Bolt, Eye, Lift, 2-41  
 Bolt, M6X16.5mm, 5-3, 6-3  
 Bolt, M8 X 17 Schd, 5-7, 6-7  
 Bolt, M8X12.0mm, 5-23, 6-23  
 Bolt, Starter, 2-39, 2-41, 2-43  
 Bolt, Hold Down, Battery, 7.5 Lg, 2-129  
 Bolt, M10X40.0mm, 5-11, 6-11  
 Bolt, M10X55.0M, 5-15, 6-15  
 Bolt, M10X58.0mm, 6-17  
 Bolt, M14X55.0M, 5-13, 6-13  
 Bolt, M5X20.0M, 5-11, 6-11  
 Bolt, M6X27.5mm, 5-11, 6-11  
 Bolt, M6X37.5mm, 5-7, 6-7  
 Bolt, M6X47.5mm, 5-11, 6-11  
 Bolt, M6X52.5mm, 5-11, 6-11  
 Bolt, M8X18.0M, 5-23, 6-23  
 Bolt, M8X20.0mm, 5-11, 6-11  
 Bolt, M8X25.0mm, 5-15, 6-15  
 Bolt, M8X53.0mm, 5-23, 6-23  
 Bolt, Tens. Sprn, 5-19, 6-19  
 Bolt-Conrod-4, 5-22, 6-22  
 Bolt-Eye, .25-20Th .25B 1.4L, 2-173, 2-175, 2-177, 2-181  
 Bolt-Eye, .25-20Zinc.56D 2.00L, 2-21  
 Bolt-Eye, .31-18Th.18B 2.75L, 2-167  
 Bolt-Eye, M 8X1.25 .328 1.18L, 2-185  
 Bolt-Thru, 5-9, 6-9  
 Bolt, 2-55, 2-57, 2-69, 2-71, 2-72, 2-189, 4-3, 4-5, 4-19, 5-17, 5-19, 6-19, 7-3, 7-5, 7-7, 7-9, 7-11, 7-12

## B

- Backflush,Cover Lid, 4-39  
 Backplate Assy, 4-23, 4-25  
 Backplate S/A Ce, 4-21  
 Baffle, 5-3, 6-3

## CROSS REFERENCE

- Boot, Circuit Breaker, 3-19  
Boot, Dome, .72id .72l, Clear, 3-11, 3-13, 3-15, 3-17  
Boot, Str 0.42id .12h 0.25l, 2-45, 2-47, 2-49  
Boot, Switch, Ignition, 2-221  
Boot, Switch, 2-221  
Boot,Batt.Term. 1-2Ga. Red, 2-129  
Boot,Batt.Term.1-2Ga. Black, 2-129  
Boot,Circuit Breaker, 2-225, 3-7  
Boot, 2-35  
Bracket [Epr], 2-75  
Bracket Assy, Lpg Tank W/Label, 2-103, 2-105, 3-38  
Bracket Assy, Tank, W/ Label, Lpg, 2-107, 2-109  
Bracket Kit, Door Hinge, Ci, Lh, 2-9  
Bracket Kit, Door Hinge, Ci, Rh, 2-11  
Bracket Kit, Spring, Replmt, 2-23  
Bracket Tie Down, 3-37  
Bracket Wldt, Air Filter 2.5, 2-35  
Bracket Wldt, Eng/Alt Mount, 2-37  
Bracket Wldt, Fltr, Hyd, 2-125, 2-127  
Bracket Wldt, Mtg, Eng, Rear, 2-39, 2-41, 2-43  
Bracket Wldt, Mtg, Fltr, Air, [Gm3.0], 2-81  
Bracket Wldt, Mtg, Valve, 2-161  
Bracket Wldt, Pump [8400 Fast], 2-205  
Bracket Wldt, Spring, Gas, Hppr Cover, 2-23  
Bracket Wldt, Steering, Tilt, 2-219  
Bracket Wldt, 2-121, 2-123  
Bracket, Bottom, 7-5  
Bracket, Retainer, 2-137, 2-139  
Bracket, Adjustment, Sidebrush, 2-163  
Bracket, Alarm Backup, 3-19  
Bracket, Alternator Mounting, 2-35  
Bracket, Alternator, 2-45, 2-47, 2-49  
Bracket, Angle, Keeper, Cable, 2-133  
Bracket, Angle, 3-3  
Bracket, Box, Relay, 2-59, 2-75  
Bracket, Brush Lift Adj M10, 2-167  
Bracket, Cable Clip, 2-187  
Bracket, Clamp, 3-3  
Bracket, Detergent Tank, 3-7  
Bracket, Eng/Alt Mount, 2-37  
Bracket, Fan, 2-213, 2-215, 2-217  
Bracket, Filter, Fuel, 2-97  
Bracket, Filter, 2-25  
Bracket, Flap, Recirculation, 2-7  
Bracket, Flasher, 3-9, 3-19  
Bracket, Fltr, Fuel [8410 2007], 2-101  
Bracket, Fltr, Fuel, 2-99  
Bracket, Fltr, Lpg [8410], 2-69  
Bracket, Guard, Alternator, Hd [Gm3.0], 2-49  
Bracket, Gusset, Corner, Lh, 2-23  
Bracket, Gusset, Corner, Rh, 2-23  
Bracket, Gusset, Rear, 2-187  
Bracket, Hose, Clamp Down, 2-7  
Bracket, Hose, 2-169  
Bracket, L, 2-223  
Bracket, Light, Sbdc, 3-9  
Bracket, Metering Pump, 3-7  
Bracket, Motor, 2-165, 2-173, 2-175, 2-177  
Bracket, Mounting Motor, 2-213, 2-215, 2-217  
Bracket, Mounting, Flow Switch, 2-141  
Bracket, Mounting, Manifold Wa, 2-191  
Bracket, Mounting, Seat Kit, 3-23  
Bracket, Mounting, Seat, 3-23  
Bracket, Mounting, 3-18  
Bracket, Mtg, Eng, Front, Rh, 2-39, 2-41  
Bracket, Mtg, Eng, Lh, 2-39, 2-41, 2-43  
Bracket, Mtg, Eng, Rear, Lh, 2-39, 2-41, 2-43  
Bracket, Mtg, Eng, Rh [8410], 2-43  
Bracket, Mtg, Engine Front Rh, 2-37  
Bracket, Mtg, Fan, 2-217  
Bracket, Mtg, Gas Spring, 2-15  
Bracket, Mtg, Hinge, Lh, 2-9  
Bracket, Mtg, Hinge, Rh, 2-11  
Bracket, Mtg, Hyd Valve, 2-143  
Bracket, Mtg, Light, Ohg, 3-11, 3-13  
Bracket, Mtg, Manifold, Soltn, 2-193  
Bracket, Mtg, Manifold, Water, 2-193, 2-195  
Bracket, Mtg, Motor, 2-31  
Bracket, MTG, Radiator Tube, 2-121  
Bracket, Mtg, Radiator, Tube, Upper, 2-123  
Bracket, Mtg, Regulator/Lockoff, 2-65  
Bracket, Mtg, Sol Valve [8400], 2-203  
Bracket, Mtg, Tank, Lpg, 2-107, 2-109  
Bracket, Mtg, Vac Fan 2.5 Ford, 2-213  
Bracket, Mtg, Vacfan, 2-215  
Bracket, Mtg, Valve, Soltn, 2-193, 2-195  
Bracket, Pivot, Sq Lift Lh, 2-183  
Bracket, Pivot, Sq Lift Rh, 2-181  
Bracket, Plt, Hyd Valve, Adj, 2-159  
Bracket, Propel Adj. Guide, 2-137, 2-139  
Bracket, Retainer, Spring, 2-4, 2-5  
Bracket, Safety Clip, 2-137, 2-139  
Bracket, Sbdc, 3-33  
Bracket, Shock, 2-137, 2-139  
Bracket, Side Brush, 2-163  
Bracket, Solenoid Valve, 4-39  
Bracket, Spring, 2-187  
Bracket, Starter, 2-39, 2-41, 2-43  
Bracket, Support, Cable, 2-183  
Bracket, Support, Cylinder, 2-163  
Bracket, Support, Pulley, 2-163  
Bracket, Support, 2-111, 2-117, 2-119, 2-135  
Bracket, Switch, 3-9  
Bracket, Top, 7-5  
Bracket, Tray, Drip, 2-51  
Bracket, Wldt, Light, Rotating, 3-15, 3-17  
Bracket, Wldt, Propel Adj., 2-137, 2-139  
Bracket,Rear Tiedown, 3-37  
Bracket, 2-25, 2-35, 2-37, 2-53, 2-61, 2-103, 2-105, 2-121, 2-201, 3-9, 7-3, 7-9  
Brake Assy, Drum, Mech, 07.9d [6600]], 2-133  
Brake Kit, Repair, 2-133  
Breaker-Circuit 10 Resetable, 2-225  
Breaker-Circuit, 15A Resetable, 2-225, 3-7, 3-19  
Breather Cap, 5-21, 6-21  
Breather, Hyd Cap 40Mic 8.5Ds, 2-157, 2-159  
Brg-Conn.Rod, 5-22  
Brush Assy, Disk, Scb, 16.0 D, Bassine 500, 2-5  
Brush Assy, Disk, Scb, 16.0 D, H.D. Polypropylene, 2-4  
Brush Assy, Disk, Scb, 16.0 D, Soft Nylon, 2-5  
Brush Assy, Disk, Scb, 16.0d, Polypropylene, 2-5  
Brush Assy, Disk, Scb, 16.0d, Super Abrasive, 2-5  
Brush Holder, 5-9, 6-9  
Brush Kit, 4-37  
Brush, Disk, Swp, Flat Wire, 2-5  
Brush, Disk, Swp, Nylon, 2-5  
Brush, Disk, Swp, Polypropylene, 2-5  
Brush, Swp, 45l, Wedge, Polypropylene, 2-5  
Brush, Swp, 45l, Wndw, Polypropylene, 2-5  
Brush, Swp, Nylon, 2-5  
Brush, Swp, Patrol, Nylon, 2-5  
Brush, Swp, Polypropylene & Wire, 2-5  
Brush, Swp, Polypropylene, 2-5  
Brush, Swp, Union mix Wire, 2-5  
Brush, Swp, Wire, 2-5  
Bshg,Flange,0.50Bx0.62Odx0.40L, 3-33  
Bshg,Sleeve,0.37Bx0.50Odx0.50L, 2-135  
Bulb GE, 3-18  
Bulb, 12V .1A 01Cp #53, 3-9  
Bulb, 12V .27A 2Cp #194, 3-9  
Bulb, 12V .9A 15, 3-19  
Bulb, 12V .5A, 2-13  
Bumper Wldt, Front, 2-23  
Bumper, Rubber, 2-15, 3-28  
Bumper, Squeegee, 2-189  
Bumper,Rbr,W.Knurled Stud, 3-35  
Bushing, Flanged, .625 Id, 2-173, 2-175, 2-177  
Bushing, Flng, 0.32b 0.50d 0.24l, Bnz, 2-115  
Bushing, Sleeve, 0.50b 0.59d 0.38l, St, 2-183  
Bushing, Sleeve, 0.50b 0.59d 0.38l, Stil, 2-181  
Bushing, Spanner, 2-189  
Button, Pivot Ce, 4-21  
Button, Plug, 2.00h .04-.19 [Chm Stl], 2-13  
Button, Plug, Switch, 1.45 X 0.83 Hole, 2-211

## C

- Cable, Adj, Main Brush, 2-167  
Cable, Batt. Term. 1-2Ga. Red, 2-129  
Cable, Brushlift, 2-167  
Cable, Choke, 2-53



- Cable, Lift, Side Brush, 2-163
- Cable, Push/Pull, 2-183
- Cable, Ss .19d 082.1l .4clevis /.4clevis, 2-133
- Cable, 2-171, 2-187
- Cabletie Mount, Adhesive, 3-19
- Cam, 2-189
- Camplate Ce, 4-21
- Camplate, 4-23, 4-25
- Camsft.Sensor, 5-11
- Camshaft, 5-19, 6-19, 7-12
- Camshft Sprckt, 5-19, 6-19
- Canoe Clip, 2-13
- Cap Assy, Pos Drain, 3-29, 3-30
- Cap Assy, Tank, Drain, 4-41
- Cap Assy, Tank, 4-37
- Cap Drain, 2-201
- Cap Radiator, 2-111, 2-113
- Cap Tank, 2-199, 2-201, 3-7
- Cap, Breather, Hyd, 8.5 Ds, 2-3, 2-3
- Cap, Distributor, 7-5
- Cap, Drain Hose, 2-201
- Cap, Drain, 3-29, 3-30
- Cap, End Cl, 4-17
- Cap, Fill, Oil, 7-3
- Cap, Fuel, Tank, 2-101
- Cap, Fuel, 2-95, 2-97
- Cap, Hub, Dust 2.57d 0.77l, 2-133
- Cap, Neoprene, Black, 2-191, 2-193, 2-195
- Cap, Plate, 2-197
- Cap, Radiator, 15psi, [Stant #a02502], 2-115
- Cap, Screw Cl, 4-15
- Cap, Screw, 4-11, 4-15
- Cap, Tank, Fuel, 2.3neck 2.6d, 2-99
- Cap, Tank, Overflow, 2-111, 2-113, 2-115
- Cap, Tank, 4-39
- Cap, Valve Spring, 7-3
- Cap, Wheel, Steering, 2-219
- Cap, 7-12
- Carburetor, Gas [F/ LRG-423, Vent, Ze], 2-53
- Carburetor, Gas [F/ LRG-425, Vent, Ze], 2-53
- Carburetor, Lpg, With Gasket, 2-61
- Cart.Psi Ct Cp, 4-33, 4-35
- Cart, Check Vlv Cp, 4-31
- Cart, Check Vlv, 4-42
- Cart, Psi Control, 4-33, 4-35
- Cart,Logic Cntl Cp, 4-31, 4-33, 4-35
- Cart,Pilot Cntr Cp, 4-31
- Cartridge, Solenoid Valve, 4-14
- Case, Replmt Kit, 2-221
- Chain, Link#2/0, 5 Links Plain, 2-7
- Channel Wldt, 3-35
- Channel, Mounting, Radiator, 2-111, 2-113, 2-115
- Channel, Mounting, Steering La, 2-219
- Channel, Mtg, Fan Motor, 2-117, 2-119
- Channel, Retainer, Seal, Rear, 2-7
- Check Valve Kit, 4-37, 4-39
- Circuit Board Rpl Kit F/83716, 2-223
- Circuit Board Rpmt Kit F/83709, 2-221
- Circuitbreaker, 15.0a [Resetable], 3-11, 3-13, 3-15, 3-17
- Clamp Assy, 2-79, 2-81
- Clamp Wormdrive, 1.25-2.00, 2-121, 2-123, 2-125, 2-127
- Clamp Wormdrive, 3.75-4.62, 2-213, 2-215, 2-217
- Clamp, Angle, Hose, 2-31
- Clamp, Cable .44D .62Wide, 3-18
- Clamp, Cable 1.5 Dia, 2-157, 2-159
- Clamp, Cable, Ss, 2.50d X 1.00w, 1hole, 2-127
- Clamp, Cable, Stil, 0.25d X 0.56w, 1h, 3-15, 3-17
- Clamp, Cable, Stil, 0.38d X 0.38w, 1h, 2-99
- Clamp, Cable, Stil, 0.69d X 0.62w, 1h, 2-99, 2-107, 2-109
- Clamp, Cable, Stil, 0.69d X 0.62w, 1hole, 2-127
- Clamp, Cable, Stil, 0.75d X 0.75w, 1h, 2-203
- Clamp, Cable, Stil, 0.9x1.8x0.62w, 1h, 2-193
- Clamp, Cable, Stil, 1.00d X 0.62w, 1h, 2-193
- Clamp, Cable, Stil, 1.0x2.0x0.62w, 1h, 2-195
- Clamp, Cable, Stil, 1.25d X 1.00w, 1h, 2-41, 2-43, 2-143
- Clamp, Cable, Stil, 1.50d X 0.75w, 1h, 2-97
- Clamp, Cable, Stil, 1.50d X 1.00w, 1h, 2-31, 2-125, 2-195, 2-205
- Clamp, Cable, Stil, 2.00d X 0.75w, 1h, 2-99
- Clamp, Cable, Stil, 2.00d X 0.75w, 1hole, 2-101
- Clamp, Cable, Stil, 2.25d X 1.00w, 1h, 2-97, 2-99
- Clamp, Cable, 2-35, 2-37
- Clamp, Hose, 1.0, 2-76
- Clamp, Hose, Plstc .351-.394 Id, 2-205
- Clamp, Hose, Spring Stil, 0.86d X 0.38w, 2-83, 2-85
- Clamp, Hose, Spring, 0.62d, 2-76
- Clamp, Hose, Wormdrive, 0.25-0.62d, .31w, 2-101, 2-127
- Clamp, Hose, Wormdrive, 0.25-0.62d, 2-99
- Clamp, Hose, Wormdrive, 0.31-0.88d, .31w, 2-203, 2-205, 2-207
- Clamp, Hose, Wormdrive, 0.31-0.88d, 2-99
- Clamp, Hose, Wormdrive, 0.50-1.06d, 2-55, 2-57
- Clamp, Hose, Wormdrive, 0.56-1.06d, .56w, 2-75
- Clamp, Hose, Wormdrive, 0.56-1.06d, 2-65, 2-71, 2-81
- Clamp, Hose, Wormdrive, 0.81-1.50d, .56w, 2-195
- Clamp, Hose, Wormdrive, 0.81-1.50d, 2-51, 2-55, 2-67, 2-69
- Clamp, Hose, Wormdrive, 1.56-2.50d, .50w, 2-125, 2-127
- Clamp, Hose, Wormdrive, 1.81-2.75d, 2-83, 2-85
- Clamp, Hose, Wormdrive, 5-3, 6-3
- Clamp, Hose, 2-161, 2-165, 2-201, 3-5
- Clamp, Loop, 3.0 I.D., 2-15
- Clamp, Mtg, Filter, Air, 2-83, 2-85
- Clamp, Mtg, Tank, 2-197
- Clamp, Wormdrive, 2-53
- Clamp,Cable .44D .62Wide, 3-9
- Clamp,Cable 1.25Dia 1.00W Neo, 2-225
- Clamp,Mounting,Cyclopac Aircl., 2-79, 2-81
- Clamp-Cable 1.50D 1.00W STL, 2-29
- Clamp-Cable 3.00D 1.00W Stil (Diesel only), 2-199
- Clamp-Cable, 0.25D 0.56W Stil, 2-25
- Clamp-Cable, 0.25Dia 0.56Wth, 2-33
- Clamp-Cable, 0.38Dia 0.38Wth, 2-95, 2-97
- Clamp-Cable, 0.38Dia 0.62Wth, 2-95
- Clamp-Cable, 1.00Dia. .62Wth, 2-129
- Clamp-Cable,.69Dia. 62Wth, 2-103, 2-105, 2-191, 2-193, 2-195
- Clamp-Cable, 2-19
- Clamp-Conduit, 1 Hole 0.50Dia, 2-183
- Clamp-Muffler,For 1.62 Od Tube, 2-87, 2-89
- Clamp-Tube 2 Hole, 2-121, 2-123, 2-125, 2-127
- Clamp-Wormdrive 0.50-1.06D, 2-191, 2-193, 2-195, 3-3
- Clamp-Wormdrive, 0.25- 0.62D, 2-61, 2-95, 2-97, 2-191, 2-193, 2-195, 3-7
- Clamp-Wormdrive, 0.25-0.62D, 2-113, 2-115
- Clamp-Wormdrive, 0.31- 0.88D, 2-191, 2-193, 2-195
- Clamp-Wormdrive, 0.56- 1.06D, 2-63
- Clamp-Wormdrive, 1.81- 2.75D, 2-79, 2-81
- Clamp-Wormdrive, 3.56-4.50D, 2-199
- Clamp, 2-55, 2-57, 2-67, 2-69, 2-72, 7-5, 7-12
- Clevis, Adj, 0.38pin, M12x1.75, 2-133
- Clip, Christmas Tree, 2-17
- Clip, Safety, Gasspring, 2-23
- Clip-Finger Grip, 3-28
- Clip, 2-35
- Coil, 12V, 4-29, 4-31, 4-33, 4-35
- Coil, 4-14, 7-5
- Collar, Locking, Plated, 2-27
- Collar, Spring Ce, 4-21
- Column, Pump, Water, 4-41
- Column, Pump, 4-37
- Column, Steering #2 10Lg Wire, 2-219
- Column, 4-39
- Compensator Ce, 4-21
- Compensator, Psi And Flow, 4-19
- Conn Rod, 7-7
- Connecting Rd, 5-22, 6-22
- Connector, Fuel, E90, Qf, 2-101
- Connector, Fuel, Qf, 2-99, 2-101

## CROSS REFERENCE

Control Unit, Gov (Replaced by 374127),  
2-53, 2-61  
Control, Electronic, Gas, 4-49  
Control, Gov. 1475,2000,2600 E (Replaced  
by 374127), 2-53, 2-61  
Controller, Lpg, 12vdc, 2-65  
Converter, Lpg, 2-71  
Cooler, Hyd 25Gpm 400Btu 0500, 2-111  
Cooler, Hydraulic, 2-113, 2-115  
Cord, Sponge, 2-3, 2-21, 2-3  
Coupler, Female X Hose Shank, 3-29, 3-30  
Coupler, 2-141  
Coupling, Flywheel, 2-37  
Coupling, Hose, 2-121  
Coupling, 4-19  
Coupling, Quick Disc. Shwd, 2-103, 2-105  
Cover Assy, End, 4-27  
Cover Assy, Hppr, 2-23  
Cover Ce, 4-21  
Cover Lid, 2-199, 3-7  
Cover Wldt, Battery W/Tread, 2-13  
Cover Wldt, Engine, Top, 2-15  
Cover, Brush Press Linkage, 3-40  
Cover, Cleanout, 2-201  
Cover, End, 4-19  
Cover, Hose, 2-76  
Cover, Insert, 2-201  
Cover, Instr, Panel [8400], 2-205  
Cover, Linkage, Brush Pressure, Ce, 2-13  
Cover, Lintel 8410 W/Fasteners, 2-17  
Cover, Motor, 3-5  
Cover, O-Ring, 4-23, 4-25  
Cover, Oil Pump, 2-35  
Cover, Rocker Switch Seal, 2-191, 2-193,  
2-195  
Cover, Sbdc, 3-33  
Cover, Tank, Recovery Es, 2-199  
Cover, Tank, Recovery W/Label, 2-199  
Cover, Trunion, 4-23, 4-25  
Cover, 2-35, 4-19, 4-21, 4-23, 4-25, 7-3,  
7-7, 7-9, 7-11  
Crank Replmt.Kit,Pump F/79323, 4-43  
Crankshaft Asy, 5-13, 6-13  
Crankshaft, 7-11  
Crnksft Seal-Rear, 5-13, 6-13  
Crnksft Sprckt, 5-13, 6-13  
Crnkshaft Key, 5-13, 6-13  
Cup Assy, 2-79, 2-81  
Cushion, Piston, 4-42  
Cyl Block Assy (Short Block Assy), 5-3, 6-3  
Cylinder, Hyd 1.5B 02.8S .2500, 2-187  
Cylinder, Hyd 1.5B 02.8S.2500, 2-163  
Cylinder, Hyd 2.0B 12.0S 2500, 2-19  
Cylinder, Hyd, 2.0b 15.0l 08.00strk 1500,  
2-131  
Cylinder, Hyd, 2-173, 2-175, 2-177  
Cylinder-Hyd2.0X4.0Da2500Psi, 2-27,  
2-167, 2-171

## D

Detergent Pkg, 4 Liter, Sgl [Tco 665], 2-3,  
2-205, 2-3  
Diode, Ele, Plug, 2-211  
Disk Assy, Pad Drive, 16d  
Rep.By397916, 2-5  
Disk, Pad Drive,W/Face,16d  
Rep.By397976, 2-5  
Distributor, 7-5  
Door Wldt, Brush, Lh, 2-9  
Door Wldt, Brush, Rh, 2-11  
Door, Dump, 2-21  
Door, Dust, 2-27  
Door, Eng, Side, 2-15  
Door, Rear, Lpg, Rh, 2-13  
Door, Rear, Rh, 2-13  
Dowel,Frnt Cover, 5-3, 6-3  
Dowel, 5-3, 6-3  
Drain Cock,.25Npt Wh#120 Angl, 2-111,  
2-113, 2-115  
Draincock,End.Block, 5-3, 6-3  
Drive Assy, 5-9, 6-9  
Drive Cl, 4-11, 4-17  
Drive Shaft, 4-19  
Drive, 4-3, 4-5, 4-7, 4-9, 4-15  
Duct Assy, Vacfan, W/ Seal, 2-31  
Duct, Vinyl .40X.75X26.0 .25D, 3-9  
Duct, Vyl, 0.40 X 0.75 .25d 06.0l, 3-11,  
3-13  
Duct, Vyl, 0.40 X 0.75 .25d 10.0l, 3-11,  
3-13  
Duct, Vyl, 0.40 X 0.75 .25d 19.0l, 3-11,  
3-13  
Duct, Vyl, 0.40 X 0.75 .25d 24.0l, 2-23  
Dust Cont Kit S Br 8400, 3-33

## E

Elbow,90 deg, 5-15, 6-15  
Element, Filter, 2-3, 2-121, 2-123, 2-125,  
2-127, 2-3  
Element, Fltr, Air, [Dn#P822858] Safety,  
2-83, 2-85  
Element, Fltr, Air, [Dn#P831424], 2-83,  
2-85  
Element, Fltr, Fuel Lpg [Coalescent, 2-69  
Element, Fltr, Oil, Eng, Spin-On[Gm], 2-51  
Element, Safety, 3-39  
End Cap Cl, 4-11  
End Cap, 4-7, 4-9  
End, Cap, 4-15  
Engine Assy, Gas, Clsd Loop [Gm, 3.0l]  
(See GM Engine Breakdown), 2-41  
Engine Assy, Lpg, Clsd Loop [Gm, 3.0l]  
(See GM Engine Breakdown), 2-41  
Engine Purch Kit, Lrg425 (See 2.5L Engine  
Breakdown), 2-35  
Engine, Block, Long [Gm3.0l] (See GM  
Engine Breakdown), 2-43  
Engine, Gm, Gas, Open Loop, (See GM  
Engine Breakdown), 2-39  
Engine, Gm, Lpg, Open Loop, (See GM

Engine Breakdown), 2-39  
Engine, Partial (Includes block, pistons,  
rods, crankshaft, bearings, rear seal  
gasket), 7-7  
Exh.Manifold, 5-15, 6-15  
Extinguisher Kit Fire 8400/8410, 3-25  
Extinguisher, Fire, 3-25  
Extrusion,.062 Matl10.10Lg, 2-35

## F

Fan, Radiator, 2-117, 2-119  
Fan, Repair Kit, Reassembly, 2-213,  
2-215, 2-217  
Fastener, Southco #62-10-102-30, 2-113,  
2-115  
Fastener, Velcro 2.0W 2L T400, 2-17  
Filter Assy, Air, Molded Ure, 2-205  
Filter Assy, Spin-On, 2-121, 2-123, 2-125,  
2-127  
Filter Element, Air, 2-3, 2-79, 2-81, 2-3  
Filter Element, Oil, 5-3, 6-3  
Filter Element,Oil, 2-3, 2-3  
Filter Kit, Lpg Lockoff, 2-71  
Filter, Assy, Air, 2-83, 2-85  
Filter, Backflush 35 Mesh, 3-5  
Filter, Foam, 2-207  
Filter, Fuel [Gm 1.6l/3.0l], 2-101  
Filter, Fuel, Lpg [Coalescent], 2-69  
Filter, Fuel, 2-3, 2-53, 2-97, 2-3  
Filter, Fuelock, [Ballwin#4-2384b], 2-105  
Filter, Fuelockoff, Lpg, 2-63  
Filter, Inline, Pf06/Pf06, 80 Mesh, 2-207  
Filter, PKG, Panel, 94 Pleats, 2-25  
Fitting, Elbow Gr, 4-37  
Fitting Assy, Cap, 0.070b, Pf04/Bm08  
(Repl. by 9002438), 2-203  
Fitting Assy, Cap, 0.093b, Pf04/Bm08  
(Repl. by 9002439), 2-203  
Fitting Assy, Orifice, 0.070b, Pf04/Pf04,  
2-203  
Fitting Assy, Orifice, 0.093b, Pf04/Pf04,  
2-203  
Fitting Brass Str, 2-63  
Fitting Kit [Epr], 2-75  
Fitting, Hyd, E45, Jm06 /Om04, 2-143  
Fitting, Hyd, E45, Jm20 /Om24, 2-143  
Fitting, 90 Deg, 2-51  
Fitting, Brass Drain Cock, 2-53, 2-63,  
2-121, 2-123, 2-125, 2-127  
Fitting, Brass E90, 2-63  
Fitting, Brass, Elbow, 2-61  
Fitting, Brs, Adapter, 2-71  
Fitting, Brs, Drain Cock, 2-65  
Fitting, Brs, E45, Pm02/Pf02, 2-65  
Fitting, Brs, E90, Em10/Pm06, 2-81  
Fitting, Brs, E90, lf05/Pm04, 4-49, 4-51  
Fitting, Brs, E90, Pm06/Em10, 2-65  
Fitting, Brs, E90, Cf03/Pf02, 2-205  
Fitting, Brs, E90, Em05/Pm04, 2-101  
Fitting, Brs, E90, lf06/Pm04, 2-99  
Fitting, Brs, E90, Pm04/Bm08, 2-203,  
2-205

- Fitting, Brs, E90, Pm04/Pf04, 2-107, 2-109  
 Fitting, Brs, Flng, Bm08, 2-203  
 Fitting, Brs, Qdc, Pf04 Lpg Fem, 2-107, 2-109  
 Fitting, Brs, Rst, Pf04/.69-16f, .063, 2-69  
 Fitting, Brs, Str, Bm05/Pm02, 2-97  
 Fitting, Brs, Str, If05/Pm02, 2-97  
 Fitting, Brs, Str, Pm08/Pf06, 2-55, 2-67, 2-69  
 Fitting, Brs, Str, Bm05/Pm04, 2-101  
 Fitting, Brs, Str, If05/If05, 2-99  
 Fitting, Brs, Str, Pf02/Pm04, 2-203  
 Fitting, Brs, Str, Pf04/Pf04, Bkhd, 2-107, 2-109  
 Fitting, Brs, Str, Pf06/Pm08, 2-57  
 Fitting, Brs, Str, Pm02, Service, 2-83, 2-85  
 Fitting, Brs, Str, Pm02/Bm04, 2-205  
 Fitting, Brs, Str, Pm04/Bm06, T, 2-69  
 Fitting, Brs, Str, Pm04/Pm04, 2-203  
 Fitting, Brs, Str, Pm08/Pf04, 2-69  
 Fitting, Brs, Tee, Pf04/Pf04/Pf04, 2-203  
 Fitting, Bshg, 2-59, 2-75  
 Fitting, Bulkhead Fem., 3-3  
 Fitting, Cap, 2-71  
 Fitting, Coolant Plug, 4-45, 4-47, 4-49, 4-51  
 Fitting, Draincock, .25npt 90, 2-69  
 Fitting, Draincock, E90, .25npt, 2-127  
 Fitting, E, Gr, 4-41  
 Fitting, E70, 2-71  
 Fitting, E90, 2-59, 2-71, 2-75, 2-76  
 Fitting, El 90Npt/Npt 04Pf-, 2-103, 2-105  
 Fitting, Elbow Gr, 4-37  
 Fitting, Elbow, 2-53, 2-55, 2-67, 2-69, 2-103, 2-105  
 Fitting, Fuel Inlet, Lpg, 4-45, 4-47  
 Fitting, Fuel, Str, 0.38-24 [07 Eng], 2-101  
 Fitting, Fuel, Str, 0.56-18 [07 Eng], 2-101  
 Fitting, Hose, 10hose/Pm06, 2-71  
 Fitting, Hose, Vacuum, .25, 2-71  
 Fitting, Hose, 2-55  
 Fitting, Hyd, E45, Pm04/Pf04, 2-105  
 Fitting, Hyd, E90 Jf06/Jm06, 2-37  
 Fitting, Hyd, E90, Jm04/Om04, 2-31  
 Fitting, Hyd, E90, Jm04/Om06, 2-159  
 Fitting, Hyd, E90, Jm04om04l, 2-161  
 Fitting, Hyd, E90, Jm06/Om08, 2-119  
 Fitting, Hyd, E90, Jm08/Om08, L, 2-31  
 Fitting, Hyd, E90, Jm08/Om08, 2-31, 2-143  
 Fitting, Hyd, E90, Jm08/Om10, 2-143, 2-217  
 Fitting, Hyd, E90, Jm08/Pm04, 2-69  
 Fitting, Hyd, E90, Jm10/Om12, 2-143  
 Fitting, Hyd, E90, Jm12/Om16, 2-143  
 Fitting, Hyd, E90, Pm06/Jm06, 2-51  
 Fitting, Hyd, E90, Pm08/Jm10, 2-65  
 Fitting, Hyd, E90, Swivel Pf04/Pm04, 2-65  
 Fitting, Hyd, Elbow, 2-35, 2-61  
 Fitting, Hyd, Plug, Jm06, 2-51  
 Fitting, Hyd, Plug, M18x1.5 Metric, 2-89  
 Fitting, Hyd, Plug, 2-37  
 Fitting, Hyd, Str, Jm04/Om04, 2-159, 2-217  
 Fitting, Hyd, Str, Jm05/Om06, 2-99  
 Fitting, Hyd, Str, Jm06/Om06, 2-99  
 Fitting, Hyd, Str, Jm06/Om08, 2-119  
 Fitting, Hyd, Str, Jm08/Om08, 2-117, 2-119, 2-157, 2-159  
 Fitting, Hyd, Str, Jm10/Om12, 2-143  
 Fitting, Hyd, Str, Metric, 2-37  
 Fitting, Hyd, Str, Pm04/Jm08, 2-69  
 Fitting, Hyd, Str, Pm04/Pf02, 2-65  
 Fitting, Hyd, Str, 2-35  
 Fitting, Hyd, Tee, Jf04/Jm04/Jm04, Run, 2-159  
 Fitting, Hyd, Tee, Pm04/Pf04/Pf04, 2-107, 2-109  
 Fitting, Nipple, .25mal, 2-75  
 Fitting, Nipple, .25npt, Brs, 2-71  
 Fitting, Pipe, E90, Pm02/Pf02, 2-83, 2-85  
 Fitting, Pipe, E90, Sf04/Pm04, 2-107, 2-109  
 Fitting, Pipe, Plug, Pm02 Soc Head, 4-45, 4-47, 4-49, 4-51  
 Fitting, Pipe, Plug, Pm02 Sq Head, 2-99, 2-101  
 Fitting, Pipe, Plug, Pm04 Hex Soc, 2-69  
 Fitting, Pipe, Str, Pm04/Pf02, 2-105, 2-107, 2-109  
 Fitting, Pipe, Tee, Pm06/Pf06/Pf06, 2-71  
 Fitting, Plastic Str 12Pf/16Pm, 2-197  
 Fitting, Plastic, Str, Ba.31ld-, 2-191  
 Fitting, Plastic, Str, Ba.31ld, 2-193, 2-195  
 Fitting, Plastic, 3-5  
 Fitting, Plstc, Pipe, Cap, Pf04, 2-205  
 Fitting, Plstc, Body, Spray, Pf04, 2-203  
 Fitting, Plstc, Cap, Spray, Pf04, 2-203  
 Fitting, Plstc, E90, Bm08/Pm04 Nyl, 2-203  
 Fitting, Plstc, E90, Bm08/Pm06, 2-207  
 Fitting, Plstc, E90, Bm08/Pm12, Nyl, 2-207  
 Fitting, Plstc, E90, Pf Bm [Es Pump], 4-41  
 Fitting, Plstc, E90, Swivel, Bm08/Pf08s, 2-207  
 Fitting, Plstc, Str, Bm04, Cplg, Fem, 2-205  
 Fitting, Plstc, Str, Bm06/Bm08, 2-195  
 Fitting, Plstc, Str, Bm08/Pm04 Nyl, 2-203  
 Fitting, Plstc, Str, Bm08/Pm06, 2-207  
 Fitting, Plstc, Str, Bm08/Pm12, 2-207  
 Fitting, Plstc, Str, Bm10/Bm10, 2-193, 2-195  
 Fitting, Plstc, Str, Bm12/Pm08, Nyl, 4-41  
 Fitting, Plstc, Str, Pm04, Cplg, Mal, 2-205  
 Fitting, Plstc, Str, Pm08/Pm08, 3-3  
 Fitting, Plstc, Str, Swivel, Pf08s/Bm08, 2-203  
 Fitting, Plstc, Str, 4-37  
 Fitting, Plstc, Tee, Bm08/Bm04/Bm08, 2-205  
 Fitting, Plstc, Tee, Bm10/Bm08/Bm10, 2-207  
 Fitting, Plstc, Tee, Bm12/Pf08/Bm12, 2-69  
 Fitting, Plstc, Y, Bm08/Bm08/Bm08 Nyl, 2-203  
 Fitting, Plstc, 3-5  
 Fitting, Plug, O-Ring [Eaton], 4-27  
 Fitting, Plug, Pm08 Sq Head, 2-65  
 Fitting, Plug, 2-113, 2-115  
 Fitting, Special, 2-61  
 Fitting, Str, E90, .25npt, 2-71  
 Fitting, Str, 2-71  
 Fitting-Barb, Str 3/8 Id Hose, 3-7  
 Fitting-Barb, 90Deg, 3/8 Id Hose, 3-7  
 Fitting-Hyd Str, 2-135, 2-141  
 Fitting-Hyd Tee, 2-121  
 Fitting-Hyd, 2-141  
 Fitting-Plastic Str Blkhd 12Pf, 2-197, 2-199  
 Fitting-Plastic Str., 2-197  
 Fitting-Pls E90, 2-197, 3-3  
 Fitting, 2-51, 2-55, 2-57, 2-67, 2-69, 2-72, 4-39  
 Fitting, Plstc, Str, Bm06/M.69-16, 2-69  
 Flange Mounting, 4-11, 4-15  
 Flange, Mounting, 4-7, 4-9  
 Flange, Brg, 3 Hole, 2-169  
 Flap, Containment, 2-117, 2-119  
 Flap, Protector, 2-199  
 Flapper, Valve, Pump, Water, 4-41  
 Flapper, Valve, 4-37, 4-39  
 Flasher Heavy Duty, 3-9  
 Flasher, 12V.Ideal, 3-19  
 Float Bottle, 2-199, 3-3  
 Flywheel Ring Gear, 5-17  
 Flywheel, 5-17, 6-17  
 Foam, Sbdc, Lh, 3-33  
 Foam, Sbdc, Rh, 3-33  
 Frame Wldt, Mtg, Brush, 2-171  
 Frame Wldt, Mtg, Radiator, 2-111  
 Frame Wldt, Squeegee Lh, 2-183  
 Frame Wldt, Squeegee Rh, 2-181  
 Frame Wldt, 2-7  
 Frame, Air Duct, 2-113  
 Frame, Squeegee, 2-189  
 Frame&Mag.As, 5-9, 6-9  
 Ftg Qkdisc, Male, 3-3  
 Ftg. Brass, Elb, 0.4Npt-.04 Brb, 2-111, 2-113, 2-115  
 Ftg, Brass, St Bm03/Pm02, 2-33  
 Ftg, Breather, 2-33  
 Ftg, El90 Npt/02Pf-02Pm, 2-79, 2-81  
 Ftg, Grease.25-28Th 90 .75L, 2-19  
 Ftg, Grease.25-28Th Strt .47L, 2-19  
 Ftg, Grease.25-28Th Strt .63L, 2-27, 2-131  
 Ftg, Plastic, Str, 3-3  
 Ftg, Brass, St Bm03/Pm02, 2-63  
 Ftg, Bulkhead .25Npt Wh W21204, 2-103, 2-105  
 Ftg, Plstc, Elb, Barb.50Hs-.50Hse, 2-191, 2-193, 2-195  
 Ftg, Plstc, Elb, Barb.50Pt-.62Hse, 3-3  
 Ftg, Plstc, Nip, 0.75Ptx 1.68Lg, 2-197  
 Ftg, Plstc, Str, Barb.50Pt-.75Hse, 3-3  
 Ftg, Plstc, Tee.50-.50-.50Pipe, 3-3  
 Ftg-Brs E90 Bm05/Pm02, 2-95  
 Ftg-Brs E90 If05/Pm02, 2-95, 2-97  
 Ftg-Brs E90 Bm10/Pm06, 2-63  
 Ftg-El90 Npt/Npt S04Pf-04Pm, 2-63  
 Ftg-Hyd Crs Jm04/Om04, 2-175

## CROSS REFERENCE

Ftg-Hyd E45 Jm04/Om04, 2-27, 2-161, 2-163, 2-167, 2-175  
Ftg-Hyd E45 Jm04/om04, 2-29  
Ftg-Hyd E45 Jm06/Om06, 2-131  
Ftg-Hyd E45 Jm08/Om08, 2-141, 2-161  
Ftg-Hyd E45 Jm08/om08, 2-29  
Ftg-Hyd E45 Jm12/Om12, 2-117, 2-119  
Ftg-Hyd E45, 2-63, 2-111, 2-113, 2-115, 2-157, 2-159  
Ftg-Hyd E90 Jm04/Jf04, 2-117, 2-119, 2-167  
Ftg-Hyd E90 Jm04/Om04, 2-19, 2-27, 2-161, 2-165, 2-167, 2-171, 2-173, 2-177, 2-179, 2-187  
Ftg-Hyd E90 Jm04/om04, 2-29  
Ftg-Hyd E90 Jm06/Om04, 2-161  
Ftg-Hyd E90 Jm06/Om06, 2-117, 2-119, 2-131, 2-179  
Ftg-hyd E90 Jm06/Om06, 2-157  
Ftg-Hyd E90 Jm08/Jf08, 2-179  
Ftg-Hyd E90 Jm08/Om06, 2-141  
Ftg-Hyd E90 Jm08/Om08, 2-157, 2-159, 2-173, 2-175, 2-177, 2-179  
Ftg-Hyd E90 Jm10/Jf10, 2-141  
Ftg-Hyd E90 Jm10/Om12, 2-141  
Ftg-Hyd E90 Jm12/Om12, 2-179  
Ftg-Hyd E90 Jm16/Om12, 2-121, 2-123, 2-125, 2-127  
Ftg-Hyd E90 Jm16/Om16, 2-111, 2-113, 2-115  
Ftg-Hyd E90 Pm08/Jm12, 2-63  
Ftg-Hyd Plg Jm08, 2-157, 2-159  
Ftg-Hyd Plg Om10, 2-157, 2-159  
Ftg-Hyd Plg Om12, 2-135  
Ftg-Hyd Rst Jm04/.047, 2-19  
Ftg-Hyd Str Jm08/Om10, 2-213, 2-215, 2-217  
Ftg-Hyd Str Jm04/Jf06, 2-157, 2-159  
Ftg-Hyd Str Jm04/Om04, 2-19, 2-131, 2-161, 2-169, 2-173, 2-177  
Ftg-Hyd Str Jm04/om04, 2-29  
Ftg-Hyd Str Jm04/Om06, 2-135, 2-219  
Ftg-Hyd Str Jm04/Om08, 2-117, 2-119  
Ftg-Hyd Str Jm06/Om04, 2-141, 2-157  
Ftg-Hyd Str Jm06/Om06, 2-157, 2-179, 2-219  
Ftg-Hyd Str Jm06/Om08, 2-117, 2-157, 2-159  
Ftg-Hyd Str Jm08/Jf12, 2-121, 2-141  
Ftg-Hyd Str Jm08/Om06, 2-141  
Ftg-Hyd Str Jm08/Om08, 2-135, 2-169, 2-179  
Ftg-Hyd Str Jm08/om08, 2-29  
Ftg-Hyd Str Jm08/Om10, 2-157, 2-159, 2-165  
Ftg-Hyd Str Jm10/Om12, 2-131, 2-141  
Ftg-Hyd Str Jm16/Om12, 2-121, 2-123, 2-125, 2-127  
Ftg-Hyd Str Jm16/Om16, 2-117, 2-119  
Ftg-Hyd Str Pm04/Pf02, 2-63  
Ftg-Hyd Str See60054 Jm12/Jf16, 2-121  
Ftg-Hyd Str, 2-157, 2-159  
Ftg-Hyd Tee Jm04/Jfjm, 2-175

Ftg-Hyd Tee Jm04Jmjf, 2-19, 2-135  
Ftg-Hyd Tee Jm04Jmom, 2-19, 2-29, 2-157, 2-159, 2-179  
Ftg-Hyd Tee Jm04Omjm, 2-117, 2-119  
Ftg-Hyd Tee Jm06Jmjf, 2-157  
Ftg-Hyd Tee Jm06Omjm, 2-157, 2-159  
Ftg-Hyd Tee Jm08Jfjm, 2-141  
Ftg-Hyd Tee Jm12Jfjm, 2-141  
Ftg-Hyd, E90, 2-213, 2-215  
Ftg-Hyd, 2-187  
Ftg-Plstc E90 12Pf/12Pf, 2-197  
Ftg-Plug Npt 02Pm Sq Hd, 2-95, 2-97  
Ftg-Plug Npt 12Pm Rd Hd Plstc., 2-197, 2-199  
Ftg-Tee Npt 04Pm- 04Pf- 04Pf, 2-63, 2-103, 2-105  
Fuel, Fltr [Gm 1.6l/3.0l], 2-99  
Fuelline, .31d Str/Str, Plstc, 2-99  
Fuelline, .312 Od, 2-95  
Fuelline, .31d 05if/05if Stl, 2-97  
Fuelline, .31d 05if/05jf Stl, 2-99  
Fuelline, .31d Bea/Bea Stl, 2-97  
Fuelline, .31d E90/Str, Plstc, 2-99  
Fuelline, .31d 05if/Qm Stl, 2-99  
Fuelline, .31d E90, 05/06, Plstc, 2-101  
Fuelline, .31d Str/Str, Plstc [8200], 2-101  
Fuelline, .31d Str/Str, Plstc, 2-101  
Fuelline, .38d .06if/Bea Stl, 2-99  
Fuse, 10 Amp, 2-279  
Fuse, 15 Amp, [Min-15], 2-278, 2-279  
Fuse, 20 Amp, [Min-20], 2-278, 2-279  
Fuse, 5 Amp, [Min-5], 2-278, 2-279  
Fuse, 60 Amp, 2-279

## G

Gage Kit, Hyd Tank, 3-40  
Gas Cap, Protectoseal, 3-27  
Gasket Cap, 2-201  
Gasket Lid, 2-201  
Gasket Oil, 5-5, 5-11  
Gasket Water Outlet Connection, 5-23, 6-23  
Gasket, .19, 4.05id 5.29od [Buna], 3-7  
Gasket, .25 1.88d 1.0id [Poron], 4-41  
Gasket, 2.00id 5.38od .19 [Buna], 3-29, 3-30  
Gasket, 2.7D 1.5B.12T 5/ 2.1Bc, 2-95, 2-97  
Gasket, 4.05id 5.29od .19 [Buna], 2-199, 2-201, 4-37, 4-39, 4-41  
Gasket, Body, Throttle [1.6l], 2-59, 2-71, 2-75  
Gasket, Carb To Engine, 2-61  
Gasket, Carb, 2-57, 2-71  
Gasket, Check Valve, 2-197, 4-37  
Gasket, De-Mister, 2-199  
Gasket, Drain Cap, 2-201  
Gasket, Exh. Flange, 5-15, 6-15  
Gasket, Exhaust, 2 Hole, 3.4bc, 2-91  
Gasket, Exhaust, 2hole, 3.4bc, 2-93  
Gasket, Flng, Exhaust, 2-93  
Gasket, Head, 5-5, 5-6, 6-5, 6-6  
Gasket, Hyd Cap, 2-157, 2-159  
Gasket, Lpg, Adapter [Gm 2007], 2-75  
Gasket, Lpg, Mixer [Gm 2007], 2-75  
Gasket, Manifold, Intake, 2-59, 2-75  
Gasket, Sender, Fuel, 2-99, 2-101  
Gasket, Tank, 2-197  
Gasket, Oil Pan, 5-5, 5-11, 6-5, 6-11  
Gasket, Rocker Cover, 5-21, 6-21  
Gasket, 2-3, 2-53, 2-55, 2-57, 2-61, 2-69, 2-71, 2-72, 2-89, 2-91, 2-189, 2-197, 2-199, 2-3, 4-39, 7-3, 7-5, 7-9, 7-11, 7-12  
Gasspring, 120lb, 7.1strk, 2-23  
Gauge, Sight Lh, 3-40  
Gear Assy, 5-9, 6-9  
Gear Motor Assy, 4-43  
Gear, Ring [Fd], 6-17  
Gear, 7-5, 7-11, 7-12  
Geroler, 4-3, 4-5  
Geroter & Coupler, 4-23, 4-25  
Gerotor Assy Cl, 4-11  
Gerotor S/A Cl, 4-17  
Gerotor Set, 4-7, 4-9, 4-15  
Gerotor, 4-27  
Governor Assy, 8410 Lpg, 2-61  
Governor Assy, 8410Gas 2.3, 2-53  
Governor Assy, Ford 2.5 Gas, 2-53  
Governor Assy, Ford 2.5 Lpg, 2-61  
Governor, Gas, 2-53  
Governor, Lpg, 2-61  
Grill Wldt, Rear, 2-113, 2-115  
Grill, Rear, 2-115  
Grill, 2-111  
Grip, Console Adjust Lever, 2-65  
Grommet Rbr 0.25ld For .09Matl, 2-221  
Grommet, Detergent Tank, 3-7  
Grommet, Rbr, 0.63id, F/0.8h, .12 Matl, 3-11, 3-13, 3-15, 3-17, 3-19  
Grommet, Rbr, 0.69id, F/0.1h, .25 Matl, 3-11, 3-13, 3-15, 3-17  
Grommet, Rbr, 0.69ld, 3-7  
Grommet, Rbr, 1.06id, F/ 1.4h, .19matl, 2-193, 2-195  
Grommet, Rbr, 1.06id, F/1.4h, .19 Matl, 2-23  
Grommet, Rbr, 0.62ld, For .06Matl, 2-33  
Grommet, Rbr, 0.38ld, For .12Matl, 2-111  
Grommet, Rbr, 0.69ld, For.25Matl, 3-19  
Grommet, Rbr, 1.00ld, For .12Matl, 2-111, 2-113, 2-115  
Grommet, 2-39, 2-57, 2-71  
Gskt Kit, Lower, 5-5, 6-5  
Gskt Kit, Upper, 5-5, 6-5  
Gskt, Exh. Mnfld, 5-15, 6-15  
Gskt, Frnt Cvr, 5-5, 6-5  
Gskt, Front Cvr, 5-7, 6-7  
Gskt, In. Manfld, 5-5, 6-5  
Gskt, Int. Mnfld, 5-15, 6-15  
Gskt, Oilpmp/Blk, 5-11, 6-11  
Gskt, Pmp/Putube, 5-5, 6-5  
Gskt, Pu Tube, 5-11, 6-11  
Gskt, Rockr Cvr, 5-5, 6-5  
Gskt, Water Pump, 5-5, 5-23, 6-5, 6-23

Gskt-Waterout, 5-5, 6-5  
 Guard Kit, Ohg, 3-20  
 Guard Kit, Overhead, 87 Height, 3-21  
 Guard Wldt, Fan W/Label, 2-117  
 Guard Wldt, Light, Revl/FIsh, 3-15, 3-17  
 Guard Wldt, Oh, Top, 3-20, 3-21  
 Guard, Alternator F/60559, 2-35  
 Guard, Belt, Alternator, 2-45, 2-47  
 Guard, Brush, 2-165  
 Guard, Scrub, Edge, 2-177  
 Guard, String, Brush Motor, 2-165  
 Guard, String, Scrub Brush, 2-173, 2-175, 2-177  
 Guide, Side Squeegee, 2-181, 2-183

**H**

Handle Lift Brush, 2-219  
 Handle, Arm, Safety, 2-19  
 Harness [7400/8410 Fast Update], 2-211  
 Harness, Adaptor, Eng, Gas/Lpg [Gm3.0], 2-287  
 Harness, Adaptor [800/8410], 2-278  
 Harness, Alarm, Backup, 3-19  
 Harness, Back, Fast, [8410], 2-211  
 Harness, Eng [3.0l, Gm, E-cntrl], 2-278  
 Harness, Eng, Gas [3.0l 2007], 2-279  
 Harness, Eng, Lpg [3.0l 2007], 2-279  
 Harness, Eng, 2-101  
 Harness, Engine, Gas/Lpg Gm 3.0L, 2-265  
 Harness, Front, Fast, [8410], 2-211  
 Harness, Hopper 8410, 2-257, 2-265, 2-278  
 Harness, Injector, Gas[3.0l Gm,E-Cntrl], 2-278  
 Harness, Jumper, Pump [7400/8410], 3-5  
 Harness, Light, Flsh, Revl, [ 355], 3-15, 3-17  
 Harness, Light, Revl, Ohg [355], 3-11, 3-13  
 Harness, Lpg Injector [3.0l, Gm,E-Cont], 2-278  
 Harness, Main, 8410 Gas/Lpg, 2-257, 2-265, 2-278  
 Harness, Switch, Oil Press, Ground Wire, 2-41, 2-43  
 Harness, Turn Signal, 3-9  
 Harness, Wire, Eng, 6-24  
 Head-W/O Valves, 5-6, 6-6  
 Head, 7-3  
 Headlight Assy,210G, 3-19  
 Headlight, 12vdc, 50watt [#70744], 2-23  
 High Alt Vaporizer Spring, 2-63  
 Hinge Wldt, W/Pin Engine Cover, 2-15  
 Hinge, .25pin .13 2.7w 03.0l 4/H&S, 2-23  
 Hinge, Door, Brush, 2-9, 2-11  
 Hinge, Seat, 2-13  
 Hinge, W/Pin, 2-15  
 Hinge, 2-15  
 Hook, Lift [Gm3.0l 2007], 2-43  
 Hopper Wldt, 2-21  
 Horn, 12vdc, DbA [Wolo], 2-23

Horn, Back-Up Alarm, 3-19  
 Hose Assy, Drain, 2-201  
 Hose Assy, W/1cuff, 1.5d 120l 1.5/, 3-29, 3-30  
 Hose Kit, Vacuum, Replmt [8410], 2-199  
 Hose, .50, 2-51  
 Hose, [Pcv], 2-39  
 Hose, 0050, 04, Im05str /If05str , 10.0, 2-99  
 Hose, 9.5mm X 450mm [Pcv], 2-57, 2-71  
 Hose, Afmkt, Pvc, Brd 0.75id 1ft, 2-195  
 Hose, Afmkt, Pvc, Brd 0.75id 3ft, 2-195  
 Hose, Afmkt, Pvc, Clr 0.25id 1ft, 2-205  
 Hose, Afmkt, Pvc, Clr 0.25id 2ft, 2-205  
 Hose, Afmkt, Pvc, Clr, 0.38id, 03ft, 2-127  
 Hose, Afmkt, Pvc, Wir, 0.50 Id 1ft, 2-195, 2-203, 2-205, 2-207  
 Hose, Air Intake, Molded, Gas, 2-79  
 Hose, Air Intake, Molded, 2-79, 2-81  
 Hose, Air, G/Lp [Gm 3.0], Mold, 2-81  
 Hose, Air, Rework, G/Lp [Gm 3.0], Mold, 2-81  
 Hose, Balancing, Press, 45mm, 2-71  
 Hose, Balancing, Press, 680mm, 2-71  
 Hose, Conv, 2-67, 2-69  
 Hose, Coolant, 1.50id To 1.75id, Mold, 2-123, 2-125, 2-127  
 Hose, Elbow, Molded 45 1.50ld, 2-121  
 Hose, Flex, Vacuum, 4.0d 30.0l, 2-217  
 Hose, Fuel, 0.31id [Evap Emission 07], 2-101  
 Hose, Fuel, .38d, Rbr, 2-59, 2-75  
 Hose, Fuel, 0.31id 31.0l, 2-99  
 Hose, Fuel, 0.50id 34.0l, 2-55  
 Hose, Fuel, 0.50id 52.0l, 2-57  
 Hose, Fuel, 165mm, 2-71  
 Hose, Fuel, Jf06e90, 20.3l, 2-99  
 Hose, Fuel, 10.0L, 2-95, 2-97  
 Hose, Heater, 0.38id x 18.0l, 2-55  
 Hose, Heater, 0.38id x 18, 2-67  
 Hose, Heater, 0.38id x 21.0id, 2-67, 2-69  
 Hose, Heater, 0.38id, 2-55  
 Hose, Heater, 0.62id 13.0l, 2-81  
 Hose, Heater, 0.62id 18.0l, 2-83, 2-85  
 Hose, Heater, 0.62id 53.0l (Cut in 2), 2-65  
 Hose, Heater, 0.62id 48.0L, 2-65  
 Hose, Heater, 2-53  
 Hose, Hi Press, Lp, 2-67  
 Hose, Hyd Med08, 2-151, 2-155  
 Hose, Hyd, Hi 12, Jf Str/E90, 2-149, 2-153  
 Hose, Hyd, Low04, Jf04str/Jf04str, 015.0, 2-153  
 Hose, Hyd, Low04, Jf04str/Jf04str, 028.0, 2-155  
 Hose, Hyd, Low06, 24.0, 2-37  
 Hose, Hyd,Low04, Jf04str /Jf04e90 , 32.0, 2-155  
 Hose, Hyd,Low06, Jf06str /Jf06str , 26.0, 2-51  
 Hose, Hyd,Med08, Jf08str /Jf08e90 , 68.0, 2-155  
 Hose, Hyd,Tc 08, Jf08str /Jf08e90 , 19.0, 2-153

Hose, Hyd,Tc 08, Jf08str /Jf08e90 , 20.0, 2-155  
 Hose, Hyd, 2-149, 2-153  
 Hose, Intake, Gas, 2.00id [Epdm 8410], 2-85  
 Hose, Intake, Lpg, 2.00id [Epdm 8410], 2-85  
 Hose, Intake, Mold, 2.00id 2.00id [Epdm], 2-83, 2-85  
 Hose, Intake, Mold, 2.00id 2.00id, 2-83  
 Hose, Intake, Mold, E90 2.00id 2.00id, 2-83, 2-85  
 Hose, Lpg, 4Lpg X 35.0 Lg, 2-103, 2-105  
 Hose, Lpg, 52 L, 2-65  
 Hose, Lpg, Med05, 24.0l, 2-103  
 Hose, Lpg, Med05, Pm04str/Sm04str, 055.0, 2-109  
 Hose, Lpg, Med05, Pm04str/Sm04str, 27.0l, 2-107, 2-109  
 Hose, Lpg, Med05, Pm04str/Sm04str, 31.0l, 2-105, 2-107  
 Hose, Lpg, Med08, Jf08str/Jf08str , 10.5, 2-69  
 Hose, Lpg, Med08, Jf08str/Jf08str , 8.5, 2-69  
 Hose, LPG, 2-63  
 Hose, Lpg, 2-103, 2-105  
 Hose, Mold [Epr To Mixer], 2-76  
 Hose, Mold, .62 To .75, 2-71, 2-75  
 Hose, Mold, .62 X 37.0, 2-71  
 Hose, Molded, Es, 3-5  
 Hose, Molded, 2-53, 2-61  
 Hose, Pvc, .50ldx.73Od 34.0Lg, 2-191  
 Hose, Pvc, Brd, 0.62id 0.88od 09.00l, 3-5  
 Hose, Pvc, Brd, 0.62id, 2-193, 2-195  
 Hose, Pvc, Clr, 0.38id 0.56od 13.00l, 2-69  
 Hose, Pvc, Wir, 0.50id, 2-193, 2-195  
 Hose, Radiator, Lower, 2-121  
 Hose, Radiator, Upper, 2-121  
 Hose, Rbr, 1.25id 1.62od 03.0l, 2-123, 2-125  
 Hose, Rbr, 1.50id 1.88od 03.0l, 2-125  
 Hose, Rbr, 1.50id 1.88od 06.0l, 2-125  
 Hose, Rbr, 1.50id 1.88od 04.0l, 2-123, 2-125, 2-127  
 Hose, Rbr, 1.50id 1.88od 06.0l, 2-123  
 Hose, Rbr, E90, 1.50id 1.50id 06.3 04.5, 2-127  
 Hose, Rubber, 2-53, 2-61, 3-5  
 Hose, Sleeve, Fire, 2-143  
 Hose, Supply, Gas, .25id, 2-76  
 Hose, Vacuum, .16ld X 28.0Lg, 2-33  
 Hose, Vacuum, 2-35, 2-63, 2-213, 2-215, 2-217, 3-28  
 Hose, Valve, Fuel Trim, 325mm, 2-71  
 Hose, Valve, Press Trim, 405mm, 2-71  
 Hose, Vin Clr .5ld .70D .5L, 2-191, 2-193, 2-195  
 Hose, Vin Wir .5ld .70d 47.0L, 2-191  
 Hose, Vin Wire .51D .70D 30.0L, 2-191  
 Hose, Vinyl .62ld .88Od 2.0L, 3-3  
 Hose, Vinyl .62ld .88Od 5.3L, 3-3  
 Hose, Vinyl Clr.38ld X 80.0Lg, 3-7

## CROSS REFERENCE

- Hose, Vinyl Clr, .75ldx 65.0Lg, 3-3  
Hose, Vinyl, Cl Nyre .38ldx21L, 3-7  
Hose, Vinyl, Cl Nyre .38ldx28L, 3-7  
Hose, Vinyl, Clear, 4-39  
Hose, Vinyl, 2-191  
Hose,.62 ldx60.00 Lng Heater, 2-191  
Hose,Heater .62ldx31.0Lg, 2-63  
Hose,Heater .62ldx53.0Lg, 2-63  
Hose-Fuel, .31ld 23.0L, 2-95, 2-97  
Hose-Hyd Hi 12 Jf/J9, 2-151  
Hose-Hyd Low04 Jf/J9, 2-151, 2-155  
Hose-Hyd Low04 Jf/Jf (Gas only), 2-155  
Hose-Hyd Low04 Jf/Jf, 2-151, 2-155  
Hose-Hyd Low06, 2-151, 2-155  
Hose-Hyd Med 04 Jf/J9, 2-151, 2-155  
Hose-Hyd Med 06, 2-151, 2-155  
Hose-Hyd Med04 Jf/J4, 2-151, 2-155  
Hose-Hyd Med04 Jf/J9, 2-151, 2-155  
Hose-Hyd Med04 Jf/Jf, 2-151, 2-155  
Hose-Hyd Med04, 2-151, 2-155  
Hose-Hyd Med06 Jf/J9, 2-151, 2-155  
Hose-Hyd Med08 Jf/J4, 2-151, 2-155  
Hose-Hyd Med08 Jf/J9, 2-151, 2-155  
Hose-Hyd Med08 Jf/Jf, 2-151, 2-155  
Hose-Hyd Med08, 2-151, 2-155  
Hose-Hyd Med16 Jf/J9, 2-151, 2-155  
Hose-Lpg Med12 Spcl S12Jf/10J9, 2-63  
Hose, 2-55, 2-111, 2-113, 2-115, 5-3, 6-3  
Housing Assy Ce, 4-21  
Housing Assy, Pump, 4-23, 4-25  
Housing Assy, Throttle, Gas, [With Ecu]  
(See Breakdowns), 2-55  
Housing Assy, Throttle, Gas, [With Ecu],  
4-49  
Housing Assy, Throttle, Gas, [Without Ecu]  
(See Breakdowns), 2-55  
Housing Assy, Throttle, Gas, [Without  
Ecu], 4-51  
Housing Assy, Throttle, Gas, 2-57  
Housing Assy, Throttle, Lpg [Gm 3.0l],  
2-71  
Housing Assy, Throttle, Lpg, [With Ecu]  
(See Breakdowns), 2-67, 2-69  
Housing Assy, Throttle, Lpg, [With Ecu],  
4-45  
Housing Assy, Throttle, Lpg, [Without Ecu]  
(See Bkdns), 2-69  
Housing Assy, Throttle, Lpg, [Without Ecu]  
(See Breakdowns), 2-67  
Housing Assy, Throttle, Lpg, [Without Ecu],  
4-47  
Housing Assy,, 4-5  
Housing Assy, 4-27  
Housing Cl, 4-11, 4-15  
Housing Kit, Pump, Water, 4-41  
Housing Wldt, Rear, 2-213, 2-215, 2-217  
Housing Wldt, Vacfan, 9.0d Impeller, 2-31  
Housing, Assy Cl, 4-3  
Housing, Brg Cl, 4-3  
Housing, Brg, 4-5  
Housing, Flywheel [3.0l], 2-41, 2-43  
Housing, Flywheel, Mach, Lr, 2-37  
Housing, Flywheel, 2-37  
Housing, Headlight, Hppr, 2-23  
Housing, Rear Drive Support, 2-131  
Housing, Thermostat [Gm3.0l 2007], 2-43  
Housing, Throttle, 40mm [Bosch], 2-57,  
2-59, 2-75  
Housing, Throttle, Gas, 4-49, 4-51  
Housing, Throttle, Lpg, 4-45, 4-47  
Housing, Vac Fan W/Label, 2-213, 2-215,  
2-217  
Housing, 2-39, 4-7, 4-9, 4-19, 7-3, 7-5,  
7-11  
Hsg W/Brg, 5-9, 6-9  
Hub & Stud, 2-131  
Hub Assy, Brush Arm, 2-169  
Hub, Brush Adaptor, 1.00B, 2-165  
Hub, Drive, Brush, Disk, 1.00b 6t, 2-173,  
2-175, 2-177  
Hub, Drive, Brush, Disk, 3hole 5.8bc[6t],  
2-4, 2-5  
Hub, Pivot, 2-27
- I**
- Ignition Coil, 5-24, 6-24  
Ignition Module Kit, 6-24  
Ignition Module, 5-24  
Impeller 9.5 Dia. 18 Blade Mac, 2-213,  
2-215, 2-217  
Impeller, 9.00d X 0.376b, 2-31  
Indicator Service Air Filter, 2-79, 2-81  
Indicator, Filter, Air, 2-83, 2-85  
Indicator,Oil, 5-3, 6-3  
Injector, Fuel, Lpg [3.0l Gm] 8410, 4-45,  
4-47  
Injector, Gas, W/ Top And Bottom Org,  
4-49, 4-51  
Inner Cover, 5-7, 6-7  
Insert, Cap, Mount, Es Pump, 4-41  
Insert, Cap, 4-37  
Insert, Plate, Cam, Pump, Hyd, 4-27  
Insert-Oilfilt, 5-3, 6-3  
Instr. Repair Info, Motor, 4-5  
Instr, Pump Repair, 4-19  
Instr, Repair, Pump, 4-27  
Insulation Acoustic, 2-13  
Insulation, 0.5, Ntch [Durablanket], 2-91,  
2-93  
Insulation, Acoustic .75Thk Ec, 2-13  
Insulation, Acoustic, Hopper,, 2-21  
Insulation, Acoustic, 2-13, 2-17, 2-25  
Insulation, Acstc, 0.3, 13.0 X 6.5, 2-31  
Insulation, Acstc, 0.5, 19.5 X 11.5 Ntch,  
2-31  
Insulation, Acstc, 0.8 27.6w 40.7l, 2-15  
Insulation, S/Foam, 2-15  
Insulation,Acoustic,Hopper,Upp, 2-21  
Int.Manifold, 5-15, 6-15  
Isolator [Epr], 2-75  
Isolator Kit, Mtg, Vaporizer, Rbr, 2-71  
Isolator, Box, Relay, 2-71  
Isolator, Mtg, 2-37  
Isolator, Rubber .25X1.50X6.00, 2-7  
Isolator, Valve, 2-157, 2-159  
Isolator, Vib, Bshg, 1.1d 0.6l .4b 0.78h,  
2-31, 2-91, 2-93  
Isolator, Vib, Fling, 1.3l .5b 2/.39h, 2-39,  
2-41, 2-43  
Isolator-Vibration .31-18, 2-113, 2-115  
Isolator-Vibration, 125Lb. Ratng, 2-29  
Isolator-Vibration,125Lb.Ratng, 2-87, 2-89,  
2-111, 2-113, 2-115, 2-117, 2-119,  
2-135, 2-137, 2-139, 2-161, 2-179,  
2-213, 2-215, 2-217
- J**
- Jose, Hyd, 2-153
- K**
- Key Set,Switch, 2-221  
Key Square 0.12 0.12 00.50 Lg, 4-12  
Key Square 0.12 0.12 01.00 Lg, 4-13  
Key, Shaft, Pump, Hyd, 4-27  
Key-Wdruff 0.25 1.00 Asa#0808, 4-11,  
4-15  
Key, 4-3, 4-5, 4-14, 4-23, 4-25, 7-3, 7-11,  
7-12  
Kit, Adaptor, Manifold, 4-45, 4-47, 4-49,  
4-51  
Kit, Air Filter, Engine, 3-39  
Kit, Backflush, W/Harness Replaces  
379001 □(See Breakdowns), 3-5  
Kit, Bearing Crankshaft, 5-13  
Kit, Brush, Motor, Ele, 4-41  
Kit, Brush, 2-35, 4-39  
Kit, Bumper, Squeegee, 2-189  
Kit, Caster, Squeegee, 2-189  
Kit, Connector, Coolant Sensor, 4-45, 4-47,  
4-49, 4-51  
Kit, Connector, Gas Injector, 4-49, 4-51  
Kit, Connector, Govnr, 4-45, 4-47, 4-49,  
4-51  
Kit, Connector, Sensor, [lat], 4-45, 4-47,  
4-49, 4-51  
Kit, Connector, Sensor, [Map], 4-45, 4-47  
Kit, Engine (See 2.3L Engine Breakdown),  
2-35  
Kit, Fitting, Garden Hose, 3-3  
Kit, Ftg, Coolant, 4-49, 4-51  
Kit, Gasket, Manifold, 4-45, 4-47, 4-49,  
4-51  
Kit, Org, Injector And Reg, Gas, 4-49, 4-51  
Kit, Org, Injector, Top And Bottom, Lpg,  
4-45, 4-47  
Kit, Reg, Gas Press, 4-49, 4-51  
Kit, Repair, Fuelock, Mv 310-6, 2-105  
Kit, Repair, Vaporizer, F/383170, 2-65  
Kit, Replacement, Armrest, 2-13  
Kit, Replm, Brackets F/83986/78733,  
2-213  
Kit, Replmt Brackets F/83986, 2-35  
Kit, Replmt, Control, Govnr, [All Purps],  
2-53, 2-61  
Kit, Replmt, Controller, 4-45

Kit, Replmt, Pivot, Squeegee, 2-185  
 Kit, Rotating Group, 4-19  
 Kit, Rotating, Pump, Hyd [Cessna], 4-27  
 Kit, Seal, Hyd, Pump, 4-27  
 Kit, Seal, Pump, 4-19  
 Kit, Shim, Brg, 4-19  
 Kit, Shim, 4-27  
 Kit, Spacer, Brg, 4-19  
 Kit, Valve Handle, 3-29, 3-30  
 Kit, Valve, Check, Pump, Water, 4-41  
 Kit-Attaching, 5-9, 6-9  
 Knob, Adj, 2-189  
 Knob, Adjusting, 2-163, 2-167  
 Knob, Jam, 2-189  
 Knob, Rnd, 19d, Plstic, M6x12 Stud -Zn, 2-205

**L**

Label [Fast], 2-205  
 Label [Nfsi Certification], 2-17, 2-205  
 Label Set, Info & HZD 8400/8410, 2-288  
 Label Set, Operational 8400/8410, 2-288  
 Label Set, Opertnl, 2-211  
 Label, Attention Fast Users 5400s, 2-199, 2-205  
 Label, Fast, 2-17  
 Label, Instr, Filter Drain, 2-69  
 Label, Logo, Tennant, Oval, 254l,Blu/Grn, 2-23  
 Label, Numerals 8410, 2-288  
 Label, Tennant Logo-10.5 Blue, 2-13  
 Lamp Replmt Kit (5) F/59972, 2-223  
 Lamp Strobe, Amb [12-48 Vdc], 3-11, 3-13, 3-15, 3-17  
 Lamp, 12vdc, 2.1a, 32cp [#1156], 3-11, 3-13, 3-15, 3-17  
 Lamp, Bulb, Lamp, Flsh, 3-15, 3-17  
 Lamp, Bulb, Lamp, Strobe, 3-11, 3-13  
 Lamp, Replmt Kit (8) F/56330, 2-221  
 Lamp, Replmt Kit (8) F/59972, 2-221  
 Lanyard Assy, 3-20, 3-21, 3-28  
 Latch Assy, Lpg Tank Mtg, W/Nut, 2-103, 2-105  
 Latch Assy, Mtg, Tank, Lpg, W/Nut, 2-107, 2-109  
 Latch, Bolt, 2-9, 2-11  
 Latch, Draw, Flexible, 3-37  
 Latch, Elastic, 3-37  
 Latch, Hook, 2-11  
 Latch, Trigger, 2-15  
 Latch, 2-9, 2-169  
 Lens, Amb, Flsh Light [Fr207], 3-11, 3-15  
 Lens, Blu, Flsh Light [Fr207], 3-11, 3-15  
 Lens, Lamp, Amb, Strobe/Flasher, 3-11, 3-13, 3-15, 3-17  
 Lens, Light, Revl, Amb, 3-13, 3-17  
 Lens, Light, Revl, Blu, 3-13, 3-17  
 Lens, Light, Revl, Red, 3-13, 3-17  
 Lens, Red, Flsh Light [Fr207], 3-11, 3-15  
 Level Sensing Assy, 2-199, 3-3  
 Lever Wldt, Edge Scrubbing, 2-171  
 Lever, 5-9, 6-9

Lifter, 7-3  
 Lifting Eye, 5-15, 6-15  
 Light Assy Mark/Yel 12V- . A, 3-9  
 Light Assy Work/Clr 12V- . A, 3-18  
 Light Kit Signal, 3-9  
 Light Kit, Flsh, Ped, Ci [8400/10], 3-17  
 Light Kit, Side Brush, 3-18  
 Light Kit, Strobe, Ohg, Ci [8400/10], 3-11, 3-13  
 Light Kit, Strobe, Ped, Ci [8400/10], 3-15  
 Light, Check Eng, Amb, 14vdc, 2-221  
 Light, Flsh, 12vdc, Amb, Rwk 82198, 3-11, 3-15  
 Light, Flsh, 12vdc, Amb, Rwk, 3-13, 3-17  
 Link Wldt, Edge Scrubbing, 2-171  
 Link Wldt, Squeegee, Lh, 2-185  
 Link Wldt, Squeegee, Rh, 2-185  
 Link Wldt, Upper, 2-173, 2-175, 2-177  
 Link, Lower, 2-173, 2-175, 2-177  
 Linkage Kit, 2-53, 2-61  
 Locknut, 5-23, 6-23  
 Lower Cover, 5-7, 6-7

**M**

Main Brg.,002 Lower, 5-13  
 Main Brg.,002 Upper, 5-13  
 Main Brg.,010 Lower, 5-13  
 Main Brg.,010 Upper, 5-13  
 Main Brg.,030 Lower, 5-13  
 Main Brg.,030 Upper, 5-13  
 Main Brg,Stdblu, 5-13  
 Main Brg,Stdred, 5-13  
 Maint Kit, 400hr [8410 Gas, Ford], 2-3, 2-3  
 Maint Kit, 400hr [8410 Lpg, Ford], 2-3, 2-3  
 Maint Kit, 800hr [8410 Gas/Lpg/Dsl], 2-3, 2-3  
 Maint. Kit, Seals 355 Line, 2-3, 2-3  
 Maint. Kit, Skirts, 355 Line, 2-3, 2-3  
 Manifold, Exhaust [2007], 2-59, 2-75  
 Manifold, Exhaust, 2-55, 2-57, 2-69, 2-72  
 Manifold, Gas, Relief, Valve, 2-101  
 Manifold, Hyd Collector, 2-117, 2-119, 2-135  
 Manifold, Intake [2007], 2-59, 2-75  
 Manifold, Intake, 2-55, 2-57, 2-69, 2-72  
 Manifold, Soltn Cntrl, 2-193, 2-195  
 Manifold, Water Distribution, 2-191, 2-193, 2-195  
 Manual Pkg 8410, 3-44  
 Manual, CD-Rom, Oprts&Parts, All (NA), 3-44  
 Manual, Eng Service, Gm 3.0 L, 3-44  
 Manual-Fiche Pkg 8410, 3-44  
 Module, Ecu, Gas [Gm 3.0l], 2-57  
 Module, Ecu, Gas [Gm3.0l 2007], 2-59  
 Module, Ecu, Lpg [Gm 3.0l], 2-71  
 Module, Ecu, Lpg [Gm3.0l 2007], 2-75  
 Module, 7-5  
 Molding, Trim 11-14Ga 8.50, 2-17  
 Molding, Trim, Pvc, .08-.11 07.5l, 2-23  
 Molding, Trim, Pvc.,18-.31 02.8l, 2-217  
 Molding, Trim, Pvc.,18-.31 09.5l, 2-217

Motor 12V Dc, 4-37, 4-39  
 Motor, Ele, 12vdc, Pump, Water, 4-41  
 Motor, Hyd Gear Ex 0.13 L 3000, 4-13  
 Motor, Hyd Gear Ex 0.13L 3000 (See Breakdown), 2-213  
 Motor, Hyd Gear Ex 0.13L 3000, 2-215, 2-217  
 Motor, Hyd Gear Ex 0.26 R 3000, 4-12  
 Motor, Hyd Gear Ex 0.26 R3000, 2-117  
 Motor, Hyd Gear In 02.8 B 1500 (See Breakdowns), 2-169  
 Motor, Hyd Gear In 02.8 B 1500, 4-15  
 Motor, Hyd Gear In 07.3 B 1500 (See Breakdowns), 2-173, 2-175, 2-177  
 Motor, Hyd Gear in 07.3 B 1500, 4-11  
 Motor, Hyd Gear In 19.0 (See Breakdowns), 2-131  
 Motor, Hyd Gear In 19.0, 4-3  
 Motor, Hyd Gear, 4-5  
 Motor, Hyd, Gear, Ext 0.19 Lh 1800, 2-31  
 Motor, Hyd, Gear, Ext 0.29 Rh 3000, 2-119  
 Motor, Hydraulic, 4-7, 4-9, 4-14  
 Motor, Starting, Perm Mag, 12V, 5-9, 6-9  
 Motor,Elec Shaker 12V, 2-25  
 Motor-Hyd Gear In 14.13 B1500 (See Breakdowns), 2-165  
 Mount, Cable Tie, 3-11, 3-13  
 Mount, Filter, Remote, 2-51  
 Muffler, Catalytic [Gm3.0l, 8410 2007], 2-93  
 Muffler, Catalytic, [Gm3.0l 8410], 2-91  
 Muffler, Exhaust, 2-87, 2-89  
 Muffler, Spark Arresting, 3-26

**N**

Nozzle, Plastic Wand 14.OLG, 3-28  
 Nozzle, 7-11  
 Nut Hx Ss M 8X1.25, 2-181, 2-183  
 Nut M8-1.25, 5-15, 6-15  
 Nut Wheel .50-20 60 Angle, 2-131  
 Nut, Adj, Mtg, Tank, Lpg, 2-107, 2-109  
 Nut, Adjustable, Lpg Tank Mtg, 2-103, 2-105  
 Nut, Cart., Lng Cp, 4-29, 4-33, 4-35  
 Nut, Cart., Sht Cp, 4-29, 4-31, 4-33, 4-35  
 Nut, Conn Rod, 7-7  
 Nut, Conrod-8, 5-22, 6-22  
 Nut, Flanged, .38-24, 2-45  
 Nut, Flng, M8, 2-75  
 Nut, Hex, Flexlock, .31-24, Thin, 2-31  
 Nut, Hex, Flng, .38-16, 2-59, 2-75  
 Nut, Hex, Flng, M06 X 1.0, 2-65  
 Nut, Hex, Flng, M08 X 1.25, 2-39, 2-41, 2-43  
 Nut, Hex, Flng, M10 X 1.50, 2-127  
 Nut, Hex, Flng, M6 X 1.0, 3-11, 3-13  
 Nut, Hex, Flng, M8 X 1.25, 2-47, 2-49, 2-99, 2-101, 2-217, 3-19  
 Nut, Hex, Jam, M10 X 1.5, Ss, 2-173, 2-177  
 Nut, Hex, Lock, .25-20, NI, 2-31, 2-101, 2-137, 2-139, 2-217

## CROSS REFERENCE

Nut, Hex, Lock, .25-28, NI, 2-137, 2-139  
Nut, Hex, Lock, .31-18, NI, 2-51  
Nut, Hex, Lock, .38-16, NI, 2-47, 2-49,  
2-173, 2-175, 2-177  
Nut, Hex, Lock, .50-13, NI, Ss, 2-189  
Nut, Hex, Lock, .75-10, NI, 2-131  
Nut, Hex, Lock, M 6 X 1.0, NI, 2-193  
Nut, Hex, Lock, M08 X 1.25, NI, 2-143  
Nut, Hex, Lock, M10 X 1.5, NI, Ss, 2-173,  
2-177  
Nut, Hex, Lock, M10 X 1.5, NI, 2-31, 2-91,  
2-137, 2-139, 2-167  
Nut, Hex, Lock, M12 X 1.75, NI, 2-21, 2-39,  
2-41, 2-43, 2-137, 2-139, 2-169, 2-187  
Nut, Hex, Lock, M4 X 0.7, NI, 2-33  
Nut, Hex, Lock, M5 X 0.8, NI, 3-11, 3-13,  
3-15, 3-17  
Nut, Hex, Lock, M6 X 1.0, NI, 2-21, 2-99,  
2-135, 2-195, 3-11, 3-13, 3-15, 3-17  
Nut, Hex, Lock, M6 X 1.0, Ss, NI, 2-9, 2-11  
Nut, Hex, Lock, M6 X 1.00, NI, 2-101,  
2-119  
Nut, Hex, Lock, M8 X 1.25, NI, Ss, 2-31,  
2-133, 2-173, 2-175, 2-177, 2-187  
Nut, Hex, Lock, M8 X 1.25, NI, 2-85, 2-119,  
2-125, 2-127, 2-135, 2-157, 2-159  
Nut, Hex, M10 X 1.50 [Stover], 2-93  
Nut, Hex, Slt'd, 1.00-20, 2-133  
Nut, Hex, Std, .25-20, 2-59, 2-75  
Nut, Hex, Std, .25-28, 2-137, 2-139  
Nut, Hex, Std, .38-16, 2-89, 2-91  
Nut, Hex, Std, #10-24, 2-39, 2-41, 2-43  
Nut, Hex, Std, M05 X 0.8, 2-39, 2-41, 2-43  
Nut, Hex, Std, M10 X 1.25, 2-21  
Nut, Hex, Std, M12 X 1.75, Ss, 2-9, 2-11  
Nut, Hex, Std, M12 X 1.75, 2-133  
Nut, Hex, Std, M4 X 0.7, 8, 2-99  
Nut, Hex, Std, M4 X 0.70, 8, 2-101  
Nut, Hex, Std, M5 X 0.8, 8, 2-99  
Nut, Hex, Std, M5 X 0.80, 8, 2-101  
Nut, Hex, Stover, M6 X 1.0, 2-91, 2-93  
Nut, M6, 5-7, 6-7  
Nut, Retainer R/.312 Dia, 2-19  
Nut, M10, 5-11, 6-11  
Nut, Wing .44-20 Special, 2-79, 2-81  
Nut&Washer, M8, 5-9, 6-9  
Nut-Hex Slot 1.12-18, 2-131  
Nut-Hx Jam 1.00-14 Pltd, 3-3  
Nut-Hx Jam .62-18, 2-185  
Nut-Hx Jam .62-18 Left Ss 18-8, 2-185  
Nut-Hxlocnyln .31-18 Thin Pltd, 2-171  
Nut-Hxlocnyln .38-16 Thin Pltd, 2-181  
Nut-Hxlocnyln .62-18 Thin Pltd, 2-185  
Nut-Hxlocnyln M 5X0.8 Reg 18-8, 2-201  
Nut-Hxlocnyln M 8X1.25 Reg Ss, 2-137,  
2-139, 2-171, 2-183, 2-185, 2-191,  
2-193, 2-195  
Nut-Hxlocnyln M10X1.5 Reg 18-8, 2-181,  
2-183, 2-185  
Nut-Hxlocnyln M10X1.5, 2-87, 2-89  
Nut-Hxslot .75-16 Pltd, 4-15

Nut-Low Crown .50-20 Pltd, 2-213,  
2-215, 2-217  
Nut-Wing .31-18 Pltd, 2-129  
Nut, 2-55, 2-57, 2-69, 2-71, 2-219, 4-3,  
4-5, 7-3, 7-9

### O

O-Ring Gland, 2-141  
O-Ring, Water Pump Adaptor, 5-23, 6-23  
O-Ring, 2.375, 5-11, 6-11  
O-Ring-2.250, 5-11, 6-11  
Oil Pan Assy, 5-11, 6-11  
Oil Pan Spacer, 5-11, 6-11  
Oil Pan, 7-9  
Oil Pickup Tube, 5-11, 6-11  
Oil Plug, 5-11, 6-11  
Oil Pmp Sprkt, 5-11, 6-11  
Oil Pump, 5-11, 6-11  
Oil Seal, Front, 5-5, 5-13, 5-19, 6-5, 6-13,  
6-19  
Oil, Hydr. 15/40, 2-3, 2-3  
Operator Manual, Es, 3-44  
Operator manual, Fr, 3-44  
Outer Cover, 5-7, 6-7  
Outlet For engine serial numbers  
(013228-014999), 7-3  
Output Shaft, 4-7, 4-9

### P

Pad, Buff, 16.0d, Red, 2-5  
Pad, Polish, 16.0d, White [1pad=1pc], 2-5  
Pad, Scb, 16.0d, Blu [1pad=1pc], 2-5  
Pad, Stripping, 16.0d [Hi Prod 1pad=1pc],  
2-5  
Pad, Stripping, 16.0d, Brown [1pad=1pc],  
2-5  
Pad, Tread, 2-7, 2-137, 2-139  
Pad, 2-135, 2-167  
Pane, Acrylic, 3-40  
Pane, Plstc, 2-13  
Panel Wldt, Corner, 2-111  
Panel Wldt, Cradle, Tank, Lpg, 2-107,  
2-109  
Panel Wldt, 2-103, 2-105  
Panel, Instmt, Upper, [8410], 2-13  
Panel, Instrument, Replmt Kit, 2-223  
Panel, Lh, 2-17  
Panel, MTG, Hose, 3-28  
Panel, Perma-Filter, 2-21  
Panel, Rh, 2-17  
Panel, Shield, Heat, Muffler, 2-91, 2-93  
Panel, Touch, Replmt Ktif/73214, 2-223  
Pcv Vlv Asy, 5-3, 6-3  
Pedal, Propel, Lower W/Tread, 2-137,  
2-139  
Pedal, Brake Lock, 2-135  
Pedal, Propel, Upper W/Tread, 2-137,  
2-139  
Pin Assy, Side Brush W/Clip, 2-165  
Pin Cl, 4-17

Pin Clevis .375 Dia X 1.13 Lg, 2-187  
Pin Clevis 0.37 Dia X 0.75 Lg, 2-181,  
2-183, 2-187  
Pin Hair Cotter .056Dx1.1L, 2-181  
Pin Wldt, Scrub Head, 2-171  
Pin Wldt, 2-187  
Pin, 1/4X.32, 5-19, 6-19  
Pin, Clevis .31 Dia X 4.50 Lg, 2-137, 2-139  
Pin, Clevis .50 Dia X 2.25 Lg, 2-27  
Pin, Clevis .50 Dia X 4.50 Lg, 2-137, 2-139  
Pin, Clevis .75 Dia X 5.5Lg, 2-165  
Pin, Clevis, 0.37 Dia 2.25Lg, 2-187  
Pin, Clevis, 0.37d X 1.00L, 2-133  
Pin, Clevis, 0.38d X 1.13L, 2-133  
Pin, Clevis, Grooved, 2-19  
Pin, Clevis, Upper, 2-19  
Pin, Cotter .125X1.25, 2-167  
Pin, Cotter, .125 X 1.25, 2-177  
Pin, Cotter, .250 X 1.25, 2-173, 2-177  
Pin, Dowel, Pump, Hyd, 4-27  
Pin, Dowel, 4-23, 4-25  
Pin, Hair Cotter .375D .072Wir, 2-181,  
2-183, 2-187  
Pin, Hair Cotter 13D 3 Wire, 2-137, 2-139  
Pin, Hitch, 2-189  
Pin, Lift Arm, 2-19  
Pin, Retainer, 2-71  
Pin, Roll Ce, 4-21  
Pin, Roll, 2-37, 4-19  
Pin, Scrub Brush, .625D 5.00L, 2-173,  
2-175, 2-177  
Pin, Scrub Head, .75D X 6.812L, 2-171  
Pin, Support, Wheel, Rear, 2-131  
Pin, Clevis, .50 Dia X 1.25 Lg, 2-27  
Pin, Clevis, 0.25 Dia. X 0.75 Lg, 2-171  
Pin, Clevis, 0.31 Dia X 1.00 Lg, 2-181,  
2-183  
Pin, Clevis, 0.37 Dia. X 1.50 Lg, 2-163,  
2-181  
Pin, Clevis, 0.37 Dia. X 6.12 Lg, 2-173,  
2-175, 2-177  
Pin, Clevis, 0.50 Dia. X 1.50 Lg, 2-167  
Pin, Clevis, 0.50 Dia. X 1.75 Lg, 2-167,  
2-171  
Pin, Clevis, 0.50 Dia. X 2.00 Lg, 2-27  
Pin, Clevis, 0.50 Dia. X 2.50 Lg, 2-177  
Pin, Clevis, 0.50 Dia. X 5.00 Lg, 2-165, 3-33,  
3-35  
Pin, Clevis, 0.50 Dia. X 5.50 Lg, 2-165, 3-35  
Pin, Hair Cotter #Lhcot-2, Leitk, 3-33  
Pin, Roll, .180dx1.25L, .187/.192, 2-27  
Pin, Roll, .380dx2.00L, .375/.382, 2-27,  
2-169  
Pin, 2-37, 2-189, 4-19, 7-5, 7-7, 7-9, 7-11  
Pipe, Exhaust, Ford 2.3, 2-87  
Pipe, Exhaust, Gas/Lpg, 2-87  
Pipe, Exhaust, 2-87  
Pipe, 2-67, 2-69  
Piston Pin, 5-22, 6-22  
Piston, .020" O.S., 7-7  
Piston, Control Ce, 4-21  
Piston, Hi-limit, 7-7  
Piston, Std., 5-22, 6-22



Piston, STD, 7-7  
 Piston, 4-19  
 Pivot Assy, S Br, 2-165  
 Pivot Wldt, 2-185  
 Pivot, 2-189  
 Planet Bearing, 5-9, 6-9  
 Plate & Brg, 5-9, 6-9  
 Plate - Hose Support, 2-131  
 Plate Kit, Valve, Replmt, 4-23  
 Plate Kit, 7-12  
 Plate Seal, 2-169  
 Plate Wldt, Backing, 2-23  
 Plate Wldt, Floor, 2-13  
 Plate, Backup, 3-3  
 Plate, Cam, 4-27  
 Plate, Circuit Breaker, 2-225  
 Plate, Cover, 4-23, 4-25, 4-27  
 Plate, Drive, 2-39, 2-41, 2-43  
 Plate, Injector Mtg, W/ Screw, 4-45, 4-47, 4-49, 4-51  
 Plate, Mounting, Latch, 2-169  
 Plate, Mounting, Shaker Filter, 2-25  
 Plate, Mounting, Valve, 2-179  
 Plate, Mounting, Vaporizer, 2-63  
 Plate, Mtg, Air-Clnr, 2-83, 2-85  
 Plate, Mtg, Channel, 2-113, 2-115  
 Plate, Mtg, De-Mister, 2-199  
 Plate, Mtg, Light, 3-11, 3-13  
 Plate, Mtg, Main Brush Shaft, 2-169  
 Plate, Mtg, Radiator, 2-113, 2-115  
 Plate, Mtg, Steering Boot, 2-219  
 Plate, Mtg, W/ Screw, [Ecu], Gas, 4-49  
 Plate, Mtg, W/ Screw, [Ecu], Lpg, 4-45  
 Plate, Mtg, 2-35  
 Plate, Orifice, 0.070id, 2-203  
 Plate, Orifice, 0.093id, 2-203  
 Plate, Pin, Clevis, Upper, 2-19  
 Plate, Retainer, Front, Sbdc, 3-33  
 Plate, Retainer, Cover, Sbdc, 3-33  
 Plate, Retainer, Front, Lh Sbdc, 3-33  
 Plate, Retainer, Front, 2-3, 2-21, 2-3  
 Plate, Retainer, Sbdc, Rh, 3-33  
 Plate, Retainer, Wheel Pocket, 3-33  
 Plate, Retainer, 2-3, 2-21, 2-3  
 Plate, Seat, 2-13  
 Plate, Shield, Heat, w/Label, 2-123  
 Plate, Shield, Heat, 2-47  
 Plate, Shield, Muffler, 2-87, 2-89  
 Plate, Spacer, Mtg, Eng 2.3Fd, 2-37  
 Plate, Stiffener, Tray, Filter, 2-25  
 Plate, Swash, 4-19  
 Plate, Valve, Pump, Hyd, 4-27  
 Plate, Valve, 4-3, 4-5, 4-19, 4-25  
 Plate, Wear Cl, 4-17  
 Plate, 2-25, 2-55, 2-67, 2-69, 5-19, 6-19  
 Plug .06 O/S, 5-3, 6-3  
 Plug #2, 4-29, 4-31, 4-33, 4-35, 4-42  
 Plug #4, 4-5, 4-29, 4-31, 4-33, 4-35  
 Plug #6, 4-29, 4-31, 4-33, 4-35  
 Plug #8, 4-33, 4-35  
 Plug 1/4 Npt, 5-3, 5-6, 6-3, 6-6  
 Plug 3/8 NPT, 5-15, 6-15

Plug 3/8 Npt, 5-3, 6-3  
 Plug Assembly Cl, 4-3  
 Plug Assembly Ph, 4-3, 4-11, 4-15  
 Plug Assembly, 4-5  
 Plug Assy Cl, 4-17  
 Plug Gage #6, 4-42  
 Plug S/A, 4-23, 4-25  
 Plug Thread 1/2-13, 2-169  
 Plug Tube, 2-169  
 Plug Weld, Brush Drive, Sweep, 2-169  
 Plug Wldt, Idler, 2-169  
 Plug, 1.50 Cup, 5-3  
 Plug, 1/2Npt, 5-15, 6-15  
 Plug, Cap, Check Valve, 2-197  
 Plug, Control Box, 2-53, 2-61  
 Plug, Float, 2-199, 3-3  
 Plug, Hole, Injector, 2-76  
 Plug, Hole, Rnd, 1.00h .00-.17, Blk Nyl, 2-201  
 Plug, O-Ring, Motor, Hyd, 4-19  
 Plug, Orifice [Cp], 4-35  
 Plug, Orifice Cp, 4-29, 4-31, 4-33, 4-35  
 Plug, Panl, Switch, 2-13  
 Plug, 1.50 Cup, 5-6, 6-6  
 Plug-Std 2.078, 5-3, 6-3  
 Plug, 4-9, 4-19, 5-7, 5-19, 6-7, 6-19, 7-3, 7-7, 7-9  
 Plugbtn .38H .03-.12 Blacknyl, 2-13  
 Plugbtn .50H .03-.12 Blacknyl, 2-13  
 Plugbtn .62H .03-.12 Blacknyl, 2-225  
 Plugbtn 1.00H .03-.12 Blacknyl, 2-13  
 Pole Piece, 7-5  
 Poppet, Valve, Check, 4-19  
 Pos Sol Control Drain Sys Kits, 3-29  
 Pos Sol Ctrl Drain Sys Kit Es, 3-30  
 Pulley, Cable, 1.5d, Nyl, 2-163, 2-167  
 Pulley, Cable, 1.5d Nyl, 2-133  
 Pulley, Fan, 2-45, 2-47, 2-49  
 Pulley, 2-35  
 Pump Adaptor Assy, 4-23, 4-25  
 Pump Assy, Charging, 4-27  
 Pump Assy, Column, Es (See Breakdowns), 3-5  
 Pump Assy, Column, Es, 4-41  
 Pump Body Kit, 4-37, 4-39  
 Pump Shaft, 4-37  
 Pump, Air, Ele, 12vdc, 2-205  
 Pump, Column, Es, 4-37  
 Pump, Detergent Metering (See Breakdowns), 3-7  
 Pump, Detergent Metering, 4-43  
 Pump, Detgt, 12vdc [560s], 2-205  
 Pump, Fuel, Gas, 2-97  
 Pump, Fuel, Hi Press [Gm 1.6l/3.0l], 2-101  
 Pump, Fuel, Hi-press [Gm 1.6l/3.0l], 2-99  
 Pump, Fuel, 2-95  
 Pump, Hyd Piston L 2.77 R 2500 (See Breakdowns), 2-141  
 Pump, Hyd Piston L 2.77 R 2500, 4-21  
 Pump, Hyd Piston V 1.24 R 4000 (See Breakdowns), 2-141  
 Pump, Hyd Piston V 1.24 R 4000, 4-25  
 Pump, Hyd Piston V 1.24, 4-23

Pump, Hyd, Piston [L] 2.75 [R] 2500 (See Breakdowns), 2-143  
 Pump, Hyd, Piston [L] 2.75 [R] 2500, 4-19  
 Pump, Hyd, Piston [V] 1.24 [R] 4000 (See Breakdowns), 2-143  
 Pump, Hyd, Piston [V] 1.24 [R] 4000, 4-27  
 Pump, Soltn, Ele, 12vdc [W/O Chk Valve], 2-203  
 Pump, Water (See Breakdowns), 3-5  
 Pump, Water, 4-39  
 Pump, 7-9

**R**

Race Thrust, 4-11, 4-15  
 Race, Bearing Ce, 4-21  
 Race, Bearing Cl, 4-17  
 Race, Bearing, Pump, Hyd, 4-27  
 Race, Bearing, 4-23, 4-25  
 Race, Inner Bearing, 4-23, 4-25  
 Race, Thrust, 4-7, 4-9  
 Radiator, F/1018063 Afmkt, 2-111, 2-113, 2-115  
 Rear Plate, 5-17, 6-17  
 Rectifier, 2-35  
 Regulator [Ep], 2-75  
 Regulator, 2-35, 2-67, 2-69  
 Reinforcement, 7-3  
 Relay, 12vdc, 20a, Spdt, 2-278, 2-279  
 Relay, 12vdc, 40a, Spdt N/O [Potter], 2-211  
 Relay, 12vdc, 40a, Spdt N/O, 3-11, 3-13, 3-15, 3-17  
 Relay, 12vdc, 40a, Spdt, 2-278, 2-279  
 Relay, Shrouded, 12 VDC, 3-19  
 Relay, Shrouded, 12 Vdc, 2-225  
 Relief Valve, 4-23, 4-25  
 Repair Info Cl, 4-17  
 Repair Info. Ce, 4-21  
 Repair Info. Cl, 4-3, 4-11, 4-15  
 Repair Info., 4-7, 4-9, 4-12, 4-13, 4-14  
 Repair Info, Pmp CE, 4-23, 4-25  
 Replacement Kit, Motor Hyd. F/53435 (See Breakdowns), 2-165  
 Replm Kit, Flywheel, 5-17  
 Replm Kit, Instr Panel F/83719, 2-221  
 Replm Kit, Instr Panel F/83720, 2-223  
 Replm Kit, Propel Cable, 2-137, 2-139  
 Replm. Kit, Rear Drive Housing, 2-131  
 Reservoir, 10.0 Gal, W/Label [8410], 2-157, 2-159  
 Resistor Assy W / 5 Pin Plug, 2-211  
 Restrictor, Jet, Coolant, 2-71  
 Retainer, Centering, Pad Rep.By370095, 2-5  
 Retainer, Frt Cl, 4-3  
 Retainer, Frt, 4-5  
 Retainer, Shield, 2-91, 2-93  
 Retainer, Skirt, Hppr, Rear, 2-3, 2-3  
 Retainer, Skirt, Hppr, Side, Front, 2-3, 2-3  
 Retainer, Skirt, Hppr, Side, Rear, 2-3, 2-3  
 Retainer, Skirt, 2-99, 2-101  
 Retainer, Squeegee, 2-181, 2-183

## CROSS REFERENCE

Retainer, 2-189, 5-9, 6-9, 7-5  
Retaining Ring, 5-9, 6-9  
Retnr.Gear, 5-9, 6-9  
Ring Kit, .030" O.S., 7-7  
Ring Kit, Std, 7-7  
Ring Retain Ex, 0.75D, 2-201  
Ring Set,Std., 5-22, 6-22  
Ring, Retain, Ex0.50Od,Heavydt, 2-219  
Ring, Retaining Cl, 4-17  
Ring, Retaining, Ext, .88 Dia, 2-19  
Ring, Retaining, External, 2-189  
Ring, Retaining, Intl 2.00Dia, 2-19  
Ring, Retaining, Pump, Hyd, 4-27  
Ring, Retaining, 2-189, 4-19, 4-27  
Ring,Retain,Ex,0.37Od,Selflock, 2-187  
Ring,Retain,Ex,0.50Od,Selflock, 2-27  
Ring,Retain,Ex,0.98Od,E-Ring, 2-135, 2-185  
Ring-Drv.Stop, 5-9, 6-9  
Ring, 4-3, 4-5, 7-12  
Rivet, Plastic .250Dx.898, 2-13, 2-225  
Rivet, Plastic .250X.898, 2-7, 2-9, 2-11, 2-21  
Rivet, Plastic .250x.898, 3-31  
Rivet, Plstc, .181d X 0.720, 2-23  
Rivet, Plstc, .250d X 0.898, 2-211  
Rivet, Plstc, .325d X 0.787, 2-23  
Rod End .250-28 .25Dia, 2-137, 2-139  
Rod End .312-24 W/Stud, 2-183  
Rod End M10 X1.5 W/Stud, 2-173, 2-177  
Rod Wldt, Pivot, 2-21  
Rod, Hinge, 2-13  
Rod, Latch, Steering, Tilt, 2-219  
Rod, Piston, 4-19  
Rod, Seat, 2-13  
Rod, Thrd, 2 End, M08 X 1.3 02.71, 2-31  
Rod, Threaded, Brush Lift, 2-167  
Rod, Tie, Squeegee, 2-183  
Rod, 2-27, 2-133, 2-189, 5-19, 6-19, 7-3  
Roller 1.75, 2-177, 3-35  
Roller Bearing, 4-23, 4-25  
Roller, Side Squeegee, 2-181  
Roller, Thimble, 2-187  
Roller, 3-35  
Rollpin, 4-21  
Rotating Kit Ce, 4-21  
Rotating Kit, 4-23, 4-25  
Rotator, 7-3  
Rotor, 7-5

## S

Scr Hex .38-16X1.00, 2-157, 2-159  
Scr Hex M6X1.0, 2-117, 2-119  
Scr Hex Ssm M8X55, 2-135  
Scr Hexssm 10X1.5 25, 2-185  
Scr Hexssm 5X0.8 25, 2-201  
Scr Hexssm 6X1.0 25, 2-171  
Scr Hexssm 8X1.25 30, 2-171, 2-181, 2-183  
Scr Hexssm 8X1.25 25, 2-183  
Scr Hexssm 8X1.25 X 20, 2-193, 2-195  
Scr Hexssm 8X1.25, 2-171, 2-191  
Scr Hexssm10X1.5 30, 2-181, 2-183  
Scr Hexssm10X1.5, 2-185  
Scr Pan M5X0.8 16, 2-199  
Scr Soc .50-13X1.50, 2-131  
Scr&Wash M6, 5-19, 6-19  
Scr&Wsh,M6X15.0M, 5-21, 6-21  
Scr&Wsh,M6X22.5, 5-7, 6-7  
Scr-Hex M12X1.75 110 Full Thd, 2-137, 2-139  
Scr-Hex .31-24X0.75 Nylon Loc, 2-137, 2-139  
Scr-Hex M8X1.5 50, 2-29  
Scr-Hexssm 8X1.25 16 Nylon Loc, 2-185  
Scr-Hexssm 8X1.25 20 Nylnloc, 2-197, 2-199  
Scr-Hexssm 8X1.25 25 Nylnloc, 2-137, 2-139  
Scr-Set 10-24X0.25 Nylon Loc, 2-25  
Scr-Shld .312Dx1.00L .25-20, 2-137, 2-139  
Scr-Shld .375Dx0.38L .31-18, 2-113, 2-115  
Scr-Shld .50Odx0.75L .38-16, 2-181  
Scr-Soc M16X2.0 50 12.9Ptd, 2-131  
Screen, 50 Mesh, Ss, 2-203  
Screen, Fltr, 80 Mesh, 2-207  
Screen, Muffler, 2-87, 2-89  
Screen, Pump, Detergent, 3-7  
Screen, Sol, Dbl Cylindrical, 3-5  
Screen, w/Suction Pipe, 7-9  
Screen, w/Tube, 7-9  
Screw Cap Cp, 4-33, 4-35  
Screw Cap Cl, 4-11  
Screw Flat M8X1.25 50, 2-61  
Screw Hexssm 6X1.0, 2-201  
Screw Hexssm10X1.5 35, 2-181, 2-183  
Screw Soc M 6X1.0, 2-61  
Screw, .31-18X3.75, 4-23, 4-25  
Screw, .38-16 X 1.00, 2-59, 2-75  
Screw, .38-24 X 4.0, 2-45  
Screw, Cap Ce, 4-21  
Screw, Cap Cl, 4-3, 4-17  
Screw, Cap, Pump, Hyd, 4-27  
Screw, Cap, Valve, Hyd, 4-31  
Screw, Cap, 4-5, 4-7, 4-9, 4-19, 4-23, 4-25, 4-27  
Screw, Chz, M 5 X 0.8 X 55, 4.8, 2-115  
Screw, Flat, M08-1.25X 20,10.9, 2-53  
Screw, Flt, .25-20 X 1.00, Al, 2-31, 2-217  
Screw, Flt, M5 X 0.8 X 16, 10.9, 2-169  
Screw, Flt, M8 X 1.25 X 20, 10.9, 2-205  
Screw, Hex, .25-20 X 0.50, 5, 2-39, 2-41, 2-43  
Screw, Hex, .25-20 X 0.50, G5, 2-59, 2-75  
Screw, Hex, .25-20 X 0.75, 5, 2-69  
Screw, Hex, .25-20 X 0.75, G5, 2-59, 2-75  
Screw, Hex, .25-20 X 0.75, NI, 2-31  
Screw, Hex, .25-20 X 1.00, 5, 2-173, 2-175, 2-177  
Screw, Hex, .25-20 X 1.25, G5, 2-59, 2-75  
Screw, Hex, .25-20 X 1.75, 5, 2-137, 2-139  
Screw, Hex, .31-18 X 0.75, 5, 2-39, 2-41, 2-43, 2-123, 2-125  
Screw, Hex, .31-18 X 1.00, 5, 2-47, 2-49, 2-115  
Screw, Hex, .31-18 X 1.25, 5, 2-45, 2-51  
Screw, Hex, .31-18 X 1.50, 5, 4-27  
Screw, Hex, .31-24 X 0.75, 5, 2-45, 2-47, 2-49  
Screw, Hex, .38-16 X 0.62, 5, 7-5  
Screw, Hex, .38-16 X 0.75, 5, 2-47, 2-49  
Screw, Hex, .38-16 X 0.75, G5, 2-127  
Screw, Hex, .38-16 X 1.00, 5, 2-39, 2-41, 2-43, 2-47, 2-49  
Screw, Hex, .38-16 X 1.25, 5, 2-81, 2-143  
Screw, Hex, .38-16 X 1.75, 5, 2-81, 2-143  
Screw, Hex, .38-16 X 2.00, Fl, 2-39, 2-41, 2-43  
Screw, Hex, .38-16 X 2.25, 5, 2-45, 2-47, 2-49  
Screw, Hex, .38-16 X 4.00, 5, 2-47, 2-49  
Screw, Hex, .38-16 X 5.50, 5, 2-173, 2-175, 2-177  
Screw, Hex, .50-13 X 1.25, 5, 2-143  
Screw, Hex, .75-10 X 3.25, G5, 2-131  
Screw, Hex, #10-24 X 0.50, Ss, 2-47, 2-49  
Screw, Hex, M 6 X 1.0 X 20, Ss, 2-193, 2-195  
Screw, Hex, M06 X 1.0 X 16, 8.8, 2-65  
Screw, Hex, M06 X 1.0 X 20, 8.8, 2-65  
Screw, Hex, M08 X 1.00 X 16, 10.9, 2-37  
Screw, Hex, M08 X 1.25 X 25, 8.8, 2-39, 2-41, 2-43  
Screw, Hex, M08 X 1.25 X 35, Ss, NI, 2-179  
Screw, Hex, M08 X 1.25 X 70, 8.8, 2-143  
Screw, Hex, M10 X 1.25 X 35, 8.8, 2-21  
Screw, Hex, M10 X 1.5 X 130, 8.8, 2-187  
Screw, Hex, M10 X 1.5 X 20, Ss, 2-9, 2-11  
Screw, Hex, M10 X 1.5 X 25, Ss, 2-9, 2-11  
Screw, Hex, M10 X 1.5 X 30, 8.8, 2-127, 2-157, 2-159  
Screw, Hex, M10 X 1.5 X 35, 8.8, 2-93  
Screw, Hex, M10 X 1.5 X 40, 8.8, 2-93, 2-137, 2-139  
Screw, Hex, M12 X 1.75 X 35, 8.8, 2-39, 2-41, 2-43  
Screw, Hex, M12 X 1.75 X 60, 8.8, 2-39, 2-41, 2-43  
Screw, Hex, M12 X 1.75 X 60, 10.9, 2-21  
Screw, Hex, M12 X 1.75 X 80, 8.8, 2-169  
Screw, Hex, M4 X 0.7 X 20, 8.8, 2-33  
Screw, Hex, M5 X 0.8 X 12, Ss, 2-135  
Screw, Hex, M5 X 0.8 X 16, 8.8, 3-11, 3-13, 3-15, 3-17  
Screw, Hex, M5 X 0.8 X 20, 8.8, 2-203  
Screw, Hex, M6 X 1.0 X 12, Ss, NI, 2-205  
Screw, Hex, M6 X 1.0 X 16, 8.8, 2-93, 2-127, 3-11, 3-13  
Screw, Hex, M6 X 1.0 X 16, Ss, NI, 2-203  
Screw, Hex, M6 X 1.0 X 20, 8.8, NI, 2-23  
Screw, Hex, M6 X 1.0 X 20, 8.8, 2-91, 2-93, 2-117, 2-119, 3-15, 3-17  
Screw, Hex, M6 X 1.0 X 20, Ss, NI, 2-169

- Screw, Hex, M6 X 1.0 X 25, Ss, 2-9, 2-11, 2-21
- Screw, Hex, M6 X 1.0 X 30, 8.8, 2-211
- Screw, Hex, M6 X 1.0 X 35, Ss, 2-169, 2-203
- Screw, Hex, M6 X 1.0 X 45, 8.8, 2-59
- Screw, Hex, M6 X 1.0 X 50, 8.8, 2-101
- Screw, Hex, M8 X 1.25 X 100, 8.8, 2-187
- Screw, Hex, M8 X 1.25 X 16, 8.8, 2-47, 2-49, 2-119
- Screw, Hex, M8 X 1.25 X 16, Ss, 2-203
- Screw, Hex, M8 X 1.25 X 20, 8.8, 2-41, 2-43, 2-93, 2-99, 2-101, 2-125, 2-127, 2-143, 2-217, 3-15, 3-17, 3-19
- Screw, Hex, M8 X 1.25 X 20, Ss, NI, 2-205
- Screw, Hex, M8 X 1.25 X 25, 8.8, 2-83, 2-85, 2-119, 2-217
- Screw, Hex, M8 X 1.25 X 25, Fmg, 2-9, 2-11
- Screw, Hex, M8 X 1.25 X 25, Ss, 2-9, 2-11, 2-187, 2-205
- Screw, Hex, M8 X 1.25 X 30, 8.8, 2-85, 2-93
- Screw, Hex, M8 X 1.25 X 30, Ss, 2-173, 2-175, 2-177
- Screw, Hex, M8 X 1.25 X 35, Ss, Fl, 2-133, 2-137, 2-139
- Screw, Hex, M8 X 1.25 X 40, 8.8, 2-187
- Screw, Hex, M8 X 1.25 X 50, 8.8, 2-127
- Screw, Hex, M8 X 1.25 X 55, Ss, 2-133
- Screw, Hex, M8 X 1.25 X 70, 8.8, 2-157, 2-159
- Screw, Hex, M8 X 1.25 X 80, 8.8, 2-119, 2-135
- Screw, M6 X 10mm, 2-59, 2-75
- Screw, Pan, M4 X 0.7 X 35, Ss, 2-5
- Screw, Pan, M5 X 0.8 X 16, 4.8, 2-197
- Screw, Pan, M6 X 1.0 X 35, Ss, 2-4, 2-5
- Screw, Soc, .38-16 X 1.00, Al, 2-59, 2-75
- Screw, Soc, .38-16 X 2.25, G5, 2-41, 2-43
- Screw, Soc, #12-24 X 1.50, 2-75
- Screw, Soc, M06-1.0 X 20, 12.9, 2-53
- Screw, Soc, M10-1.5 X 25, Al, 2-35
- Screw, Soc, M6 X 1.00 X 70, 2-75
- Screw, Hex, #10-24 X 0.50, Ss, 2-45
- Screw, M6X22.5mm, 5-7, 6-7
- Screw-Chs M 5X0.8 60 4.8, 2-111, 2-113
- Screw, 2-45, 2-67, 2-69, 2-189, 4-7, 4-9, 4-19, 7-9
- Screws, 4-23, 4-25
- Seal Kit, 4-7, 4-9
- Seal Kit, Cart Cp, 4-33, 4-35
- Seal Kit, Cart Cp, 4-33, 4-35
- Seal Kit, Cart Cp, 4-29, 4-31
- Seal Kit, Cart, 4-33, 4-35
- Seal Kit, Coil Cp, 4-33, 4-35
- Seal Kit, Coil Cp, 4-29, 4-31
- Seal Kit, Coil, 4-33, 4-35
- Seal Kit, Hyd Mtr Gear Bn, 4-12, 4-13
- Seal Kit, Motor, 4-14
- Seal Kit, One Cartridge, 4-14
- Seal Kit, Pump Ce, 4-21
- Seal Kit, Pump, 4-23, 4-25
- Seal Kit, Rear, 4-3, 4-5
- Seal Kit, Shaft Cl, 4-3
- Seal Kit, Shaft, 4-5
- Seal Kit, Stg Cl, 4-17
- Seal Replmt Kit, 2-223, 4-11, 4-15
- Seal, Bearing, 2-219
- Seal, Boot, Steering Column, 2-219
- Seal, Bulb 140.0 Lg, 2-25
- Seal, Bulb, Sd-0106 36.10 Lg, 2-13
- Seal, Bulb, Sd-0106 65.00 Lg, 2-13
- Seal, Bulb, Sd-0168 25.00 Lg, 2-13
- Seal, Bulb, Sd-0504 21.25 Lg, 2-17
- Seal, Bulb, Sd-0504 27.12 Lg, 2-15
- Seal, Bulb, Sd-0504 29.50 Lg, 2-17
- Seal, Bulb, Sd-0504 40.25 Lg, 2-15
- Seal, Door, Brush, 2-9, 2-11
- Seal, Door, Dump, Side, 2-3, 2-21, 2-3
- Seal, Door, Dump, 2-3, 2-21, 2-3
- Seal, Door, Hopper, 2-21
- Seal, Duct, 2-111, 2-113, 2-115
- Seal, Foam Rbr .8 .8 2.8L, 2-191
- Seal, Foam Rubber, 2-9, 2-11, 2-21
- Seal, Foam, Door, 3-31
- Seal, Hose, 2-201
- Seal, Inlet, Vacfan, 2-31
- Seal, Lip, 90, 1.3w . Grip 050.0l, 2-23
- Seal, O-Ring, .069 X 3.06id, 4-27
- Seal, Org, .139 X 03.109 Id, 2-51
- Seal, Org, 2-57, 2-71, 4-19
- Seal, Rbr, Clsd, 1.50d 40.3l, 2-3, 2-3
- Seal, Rear Drive Grease Cavity, 2-131
- Seal, Rear, 5-5, 6-5
- Seal, Replmt Kit, 2-221
- Seal, Seat, Inner, 2-13
- Seal, Tube, Silicone, 2-199
- Seal, Ure .50 X .75 X 2.5L, 2-13
- Seal, Ure, 0.38, 0.75w 13.2l Adh, 2-31
- Seal, Ure, 0.38, 0.75w 33.0l Adh, 2-31
- Seal, Wire, 4-19
- Seal, Foam Rbr, .38 .75W 18.2L, 2-117, 2-119
- Seal, Org, Lpg, Mixer [Gm 2007], 2-75
- Seal, Valve Stem, 5-5, 6-5
- Seal, 5-9, 6-9, 7-11
- Sealant, [Rtv], 03.35oz, 7-7
- Sealant, [Rtv], 05.00oz, 7-7
- Sealer, 7-3, 7-5
- Seat Belt Kit 8400/8410, 3-24
- Seat Belt, 3-24
- Seat Kit, Grammer 8400/8410, 3-22
- Seat, Grammer, 3-22
- Seat, Michigan, 2-13
- Seat, Spherical, 4-19
- Seat, Spring, 4-19
- Seat, Valve, Check, 4-19
- Send Unit, Temperature, 2-35
- Send-Unit, Fuel [800/810 2007], 2-101
- Send-Unit, Fuel, 2-99
- Send-unit, Water, Temperature, .38npt, 2-55, 2-67, 2-69
- Sending Unit, Oil Pressure, 2-39
- Sending Unit, 2-95, 2-97
- Sensor [T Map], 2-59, 2-75
- Sensor, [Tmap], 2-57, 2-71
- Sensor, Exhaust, Tailpipe, 2-93
- Sensor, Manifold Press, 4-45, 4-47, 4-49, 4-51
- Sensor, Oxygen [Gm 1.6l/3.0l 2007], 2-93
- Sensor, Oxygen, 2-91
- Sensor, Speed, Timing Wheel [3.0l], 2-57, 2-71
- Sensor, Temp, Coolant, 2-57, 2-59, 2-71
- Sensor, Temp, 2-57, 2-59, 2-71, 2-75, 4-45, 4-47, 4-49, 4-51
- Sensor, Water Temp, 2-55, 2-67, 2-69
- Sensor, Crnkstf, 5-7, 6-7
- Separator, 5-3, 5-24, 6-3, 6-24
- Service Manual Pkg 8410, 3-44
- Service Manual, Lrg 423 Fd (2.3L Engine), 3-44
- Service Manual, Lrg 425 Fd (2.5L Engine), 3-44
- Shaft Idler, 2-169
- Shaft S/A, 4-5
- Shaft Wldt, Brake, 2-135
- Shaft Wldt, Main Brush, 2-169
- Shaft, Assy Cl, 4-3
- Shaft, Drive Ce, 4-21
- Shaft, Drive, 4-23, 4-25, 4-27
- Shaft, Output, 4-11, 4-15
- Shaft, Pump, Water, 4-41
- Shaft, Pump, 4-39
- Shaft, 2-133, 7-5
- Sheave, Eng Crank, Fd W/Tg, 2-35
- Sheave, Water Pump, 5-23, 6-23
- Shft Asy, Output, 5-9, 6-9
- Shield Wldt, Heat, Manifold, 2-127
- Shield, Dust, 2-39, 2-41, 2-43
- Shield, Fan, Gas/Lpg [8410 07], 2-119
- Shield, Fan, 2-117
- Shield, Heat, Alternator [2007], 2-49
- Shield, Heat, Manifold, 2-59, 2-75
- Shield, Heat, W/Label, 2-125
- Shield, Heat, 2-91, 2-93, 4-45, 4-47, 4-49, 4-51
- Shield, Hyd Solenoid, 2-179
- Shield, Tube, Plstc, 2-187
- Shield, Valve, Water (Replaced by 1021095), 2-191
- Shield, Water Valve, 2-197
- Shield, 7-3
- Shim .020Th 0.88Odx0.506ld, 2-213, 2-215, 2-217
- Shim .060Th 0.880Dxo.506ld, 2-213, 2-215, 2-217
- Shock Absorber, 2-137, 2-139
- Shoe Set, Brake [1 Set=1pkg=2 Shoes], 2-133
- Shoe, Plastic-Squeegee 14IN, 3-28
- Short Tube, 5-3, 6-3
- Shroud Wldt, Fan, Radiator, W/ Label, 2-117, 2-119
- Shroud Wldt, Station, Oprtr, W/Label, 2-13
- Shroud, Duct, Air, 2-115
- Side Squeegee Se Kit, 3-35
- Signal Turn, 3-9

## CROSS REFERENCE

- Skirt, Brush Door, Inner, 3-31  
Skirt, Brush Door, Outer, 3-31  
Skirt, Brushdoor, 2-9, 2-11  
Skirt, Cover, Sbdc, 3-33  
Skirt, Deflection, Vac Kit, 3-31  
Skirt, Deflection, 2-9, 2-11  
Skirt, Front, Sbdc, 3-33  
Skirt, Hopper, Top, 3-31  
Skirt, Lip, 2-3, 2-21, 2-3  
Skirt, Neo, .12, 05.88w 34.32l, 07 H&S, 2-3, 2-3  
Skirt, Neo, .12, 08.00w 40.76l, 05 Sl, 2-3, 2-3  
Skirt, Neo, .18, 04.00w 40.76l, 05 Sl, 2-3, 2-3  
Skirt, Neo, .25, 03.50w 03.50l, 02 Hole, 2-23  
Skirt, Rbr, .12, 20.00w 24.00l, 09/ H&S, 2-101  
Skirt, Recirculation, 2-115  
Skirt, Sbdc, Rh, 3-33  
Skirt, Seal Main Brush, 2-7  
Skirt, Side, Sbdc,, 2-3, 2-21, 2-3  
Skirt, Side, 2-99  
Skirt, Wheel Pocket, Sbdc, 3-33  
Skirt, Hoppertop, 2-7  
Sleeve Gr, 4-37  
Sleeve, .370B .50D .50 Butwcd, 2-111, 2-113, 2-115  
Sleeve, .414B .74D .92 Stl, 2-185  
Sleeve, .562B .88D .50 Znc, 2-29  
Sleeve, Alternator, 2-45, 2-47, 2-49  
Sleeve, Bearing .625Od X .515, 2-181, 2-183  
Sleeve, Nyl 35.0L, 2-177  
Sleeve, Nyl 45.0L, 2-173  
Sleeve, Nyl 8.0L, 2-167  
Sleeve, Nyl See60150 #33 14.0L, 2-191  
Sleeve, Nyl, #27 08.0l, 2-31  
Sleeve, Nyl, #33 14.0l, 2-193  
Sleeve, Nyl, #37 16.0l, 2-193  
Sleeve, Nyl, 2-131, 2-173, 2-177  
Sleeve, NylN, 2-29  
Sleeve, Nylon 25.0L, 2-163  
Sleeve, Nylon, 2-171  
Sleeve, Pump, Water, 4-41  
Sleeve, Roller, 2-187  
Sleeve, Throttle [Bosch], Plstc, 2-71  
Sleeve, 1.12B 1.38D1.00 Rubber, 2-25  
Sleeve, 1.12B 1.62D1.50 Rubber, 2-25  
Sleeve-NylN #38 25.0L, 2-169  
Sleeve, 2-169, 2-173, 2-175, 2-177, 4-39  
Solenoid, 5-9, 6-9  
Spacer Rep.By222460, 2-133  
Spacer Cl, 4-17  
Spacer Hub, 2-173, 2-175, 2-177  
Spacer Plate Cl, 4-11, 4-15  
Spacer Plate, 4-7, 4-9  
Spacer, .259ld 375Od .250Lg, 2-137, 2-139  
Spacer, Carb F/Impco Ca-50, 2-61  
Spacer, Coil Cp, 4-33, 4-35  
Spacer, Pulley, 2-163, 2-167  
Spacer, Spst, Filter Lock Off, 2-71  
Spacer, 2-37, 2-55, 2-67, 2-69, 4-19, 4-23, 4-25, 5-15, 6-15  
Spark Plug Wires, 7-5  
Spark Plug, 2-3, 2-3, 5-24, 6-24, 7-3  
Spring Assy, Recirculation, 2-7  
Spring Ce, 4-21  
Spring Kit, Scu Cl, 4-17  
Spring, Compression, 2-53  
Spring, Conical Cp, 4-31, 4-33, 4-35  
Spring, EXT, 3-28  
Spring, Extension, 2-181, 2-183  
Spring, Extention, 2-187  
Spring, Gas 34 Lb 6.3 Stroke, 2-171  
Spring, Gas 90Lb 5.98 Stroke, 3-20, 3-21, 3-28  
Spring, Parking Brake, 2-135  
Spring, Propel, Centering, 2-137, 2-139  
Spring, Tens.750Dx.10Wirex4.5, 2-163  
Spring, Tension, 2-21, 2-167, 2-173, 2-175, 2-177, 5-19, 6-19  
Spring, Tors 0.75D 1.00L .060W, 2-135  
Spring, Torsion, 2-135  
Spring, Valve, Check, 4-19  
Spring, Wir, 0.16d, Brush Retaining, 2-4, 2-5  
Spring, Shaker, 2-25  
Spring-Gas 90Lb 5.98Stroke, 2-15  
Spring, 2-133, 4-3, 4-5, 4-19, 4-23, 4-25, 4-42, 7-3, 7-9  
Sprng,Comp,0.62ldx.06Wire 2.3L, 2-219  
Sprng,Comp,0.74ldx.11Wire 2.5L, 3-35  
Sprng,Tens,0.87Odx.13Wire 9.0L, 2-185  
Sprng,Tens,1.12Odx.14Wire 4.8L, 2-165  
Squeegee Assy, Lh 8410, 2-183  
Squeegee Assy, Rh 8410, 2-181  
Squeegee Kit, Replmt, 2-189  
Squeegee Wand Kit 8410, 3-28  
Starter, 12vdc, Ford 2.3 Fd, 2-35  
Starter, 2-39, 2-41, 2-43  
Statnry Gear, 5-9, 6-9  
Std.Exh.Valve, 5-21, 6-21  
Std.Int.Valve, 5-21, 6-21  
Steer Control, Hyd#2 06.1 1000 (See Breakdowns), 2-219  
Steer Control, NYD#2 06.1 1000, 4-17  
Steering Wheel Insert, 2-219  
Strainer, Hyd, 25 Gpm 100 Mesh, 2-3, 2-3  
Strainer, Screen, Solution Tank, 2-197  
Strainer, Soltn, 20 Mesh, Cyl 4.0d 8.0l, 3-5  
Strainer-Hyd Suction 25-100-03, 2-157, 2-159  
Strap Bracket, 2-3, 2-3  
Strap Cap Retainer, 2-201  
Strap Weldmt, Gas Tank, 2-95, 2-97  
Strap Wldt, Tank, .06th X 1.0w, 37.7l, 2-99  
Strap Wldt, Tank, 0.06 1.0w 37.7l, 2-101  
Strap. Mounting, Actuator, 2-53, 2-61  
Strap, Backing Hopper, 2-7  
Strap, Deflector, Lh (Not Shown), 3-31  
Strap, Deflector, Rh, 3-31  
Strap, Deflector, 2-9, 2-11  
Strap, Door, Dump, Side, 2-3, 2-21, 2-3  
Strap, Door, Dump, 2-3, 2-21, 2-3  
Strap, Hinge - Lp Tank Mtg, 2-103, 2-105  
Strap, Main Lip, 2-3, 2-21, 2-3  
Strap, Motor, Shaker, 2-25  
Strap, Mtg.- Lp Tank, 2-103, 2-105  
Strap, Mtg, Tank, Lpg, Hinge, 2-107, 2-109  
Strap, Mtg, Tank, Lpg, 2-107, 2-109  
Strap, Tank Retainer - Lp, 2-103, 2-105  
Strap, 2-3, 2-9, 2-11, 2-21, 2-3, 3-31  
Strip Retainer Bearing, 2-169  
Strip Wldt, Front Retainer, 2-189  
Strip Wldt, Rear Retainer, 2-189  
Strip, .12 .8w3 .3l2 .38dia 2.25ctr, 2-137, 2-139  
Strip, Mtg, Gusset, 2-23  
Strip, Mtg, 2-23  
Strip, Nonslip, 2-189  
Strip, Rbr, 0.06 01.00w 04.0l, 2-97, 2-99, 2-101  
Strip, Retainer, Seal, 2-7  
Strip, Retainer, Skirt, 2-9, 2-11  
Strip, Retainer, 2-9, 2-11, 3-31  
Stud M12, 5-3, 6-3  
Stud, .003" O.S., 7-3  
Stud, .013" O.S., 7-3  
Stud, .38-16 X 1.2l, 2-57, 2-59, 2-75  
Stud, Ball, .39d .31-16, Gasspring, 2-23  
Stud, Ball, Gas Spring, 2-15, 2-171, 3-20, 3-21, 3-28  
Stud, Wheel .50-20X1.50 pLTD, 2-131  
Stud, M6X61.8mm, 5-7, 6-7  
Stud, M8X51.0mm, 5-7, 6-7  
Stud, 2-55, 2-57, 2-69, 2-71, 2-72, 5-15, 5-23, 6-15, 6-23, 7-11  
Switch Assy, 4-42  
Switch Ignition, 2-221  
Switch, Hyd Flow Sensor (See Breakdowns), 2-141  
Switch, Hyd Flow Sensor, 4-42  
Switch, Press, 10psi, Spst, 2-203  
Switch, Press, 12vdc 08a Spst Nc 0070psi, 2-105, 2-107, 2-109  
Switch, Pressure Oil, 2-35  
Switch, Pressure, 7psi, Spdt, 2-41, 2-43  
Switch, Pressure, Lpg Nc 70Psi, 2-63  
Switch, Pressure, 2-33  
Switch, Progressive, 2-191, 2-193, 2-195  
Switch, Pushmom, Spst100A 12V, 2-219  
Switch, Rocker, 36vdc 05a Dpst On/N/On, 2-211  
Switch, Rocker, 36vdc 05a Progressive, 2-211  
Switch, Roller, 2-19, 3-9  
Switch, Snap Actn, 250vdc 20a Dpdt, 3-3  
Switch, Snap Actn, 250vdc 25a Spdt, 2-199  
Switch, 2-65, 2-143

## T

- Tab, Fuelline, 2-95  
 Taillight Assy, W/Quick Disc, 2-111, 2-113, 2-115  
 Taillight Assy, 2-13  
 Tank Kit, Lpg, 43# 8400/8410, 3-38  
 Tank Recovery, 2-199  
 Tank, De-Mister, 2-199  
 Tank, Detergent, 3-7  
 Tank, Fuel W/Label, 2-95, 2-97  
 Tank, Fuel, 09.4gal, W/ Label, 2-101  
 Tank, Fuel, 9.4 Gal, W/ Label, 2-99  
 Tank, Lpg, 33lb, W/ Gauge [Empty] [Liq], 2-107, 2-109  
 Tank, Radiator Fill, 2-111, 2-113, 2-115  
 Tank, Solution, W/Label, 2-197  
 Tank-Lp, 33@, Liq, Both, Fill Ga L, 2-103, 2-105  
 Tap. Assy-Valve, 5-21, 6-21  
 Tape, Video, Operator, 8410, 3-44  
 Temperature sensor, 5-23, 6-23  
 Tensioner, Arm, 5-19, 6-19  
 Term. Cover, 5-9, 6-9  
 Terminal, Bullet, Mal, .157d, 12ga, 3-11, 3-13, 3-15, 3-17  
 Terminal, Ring, .25stud 16-14ga, Ins, 3-11, 3-13, 3-15, 3-17  
 Therm 190 W/Gsk, 5-23, 6-23  
 Thermostat Assembly, 140 Deg, 2-25  
 Thermostat, 7-3  
 Thr. Brg., .002 Upper, 5-13  
 Thr. Brg., .010 Upper, 5-13  
 Thr. Brg., .030 Upper, 5-13  
 Thr. Brg, Stdblue, 5-13  
 Thr. Brg, Stdred, 5-13  
 Thrust Bearing, 4-11, 4-15  
 Tie, Cable 1.75d Max 7.50lg, 2-191, 2-197  
 Tie, Cable 1.75D Max 7.50Lg, 2-137, 2-139, 2-179, 3-9, 3-19  
 Tie, Cable, Nyl, 07.3l .19w 1.8 Max D, 2-99, 2-101, 2-115, 2-193, 2-199, 3-7, 3-11, 3-13  
 Tie, Cable, Nyl, 11.4l .19w 3.0 Max D, 2-221  
 Tie, Cable, 2-63, 2-177  
 Tie, Wire 11-1/2x.19 Ny (not shown), 2-69  
 Timer, 9-41vdc, Recycling, 2-211  
 Timer, Backflush, 4-39  
 Timing Belt, 5-19, 6-19  
 Tire & Wheel Assy, Solid Non Marking Turf 18X7, 3-42  
 Tire & Wheel Assy, Solid Nonmark, 3-43  
 Tire & Wheel Assy, Solid Turf 18X7, 3-41  
 Tire & Wheel Assy, 2-131  
 Tire Assy, Solid, 18.0x5.0 1.56b, 2-133  
 Tire, Solid 18X5X12.12 Nonmark, 3-43  
 Tire, Solid 18X7X12.12 Turf, Non Marking, 3-42  
 Tire, Solid 18X7X12.12 Turf, 3-41  
 Tire, Solid, 18.0 X 5.0 X 12.1 [No Rim], 2-133  
 Tire, Solid, 18X6X12.125, 2-131  
 Touch Panel Replmt Kit F/84069, 2-221  
 Tower Wldt, Corner, 2-113, 2-115  
 Tray Wldt, Drip, Gas [3.0l], 2-57  
 Tray, Battery, 2-129  
 Tray, Detergent, 2-103, 2-105  
 Tray, Detgt, 2-107, 2-109  
 Tray, Filter Carrier, 2-25  
 Tray, Fuel, 2-95, 2-97  
 Tray, Mtg, Tank, Fuel, 2-99, 2-101  
 Tread, Floor, Non-Skid, 2-13  
 Tube Wldt, Leg, Ohg, Lh, 3-21  
 Tube Wldt, Exhaust, 2.0d[Gm3.0l 8410 07], 2-93  
 Tube Wldt, Intake, 2.0d .38npt, 2-81  
 Tube Wldt, Leg, Ohg, 3-21  
 Tube Wldt, Tee, 2-83, 2-85  
 Tube Wldt, 3-35  
 Tube, 0.62d 0.41b 0.6l, Ss, Cham, 2-181, 2-183  
 Tube, 01.00d 00.50b 01.0l Stl Pnt, 2-45, 2-47, 2-49  
 Tube, Air Bleed, 2-63, 2-65  
 Tube, Coolant, 1.5d Upper, Gas/Lpg, 2-123, 2-125  
 Tube, Coolant, 1.5d W/.25npt Low, Gas/Lpg, 2-123, 2-125  
 Tube, Coolant, Gas/Lpg [8410 2007], 2-127  
 Tube, Ds, 7-7  
 Tube, Exhaust, 2.0d [Gm3.0] [8410], 2-89  
 Tube, Exhaust, 2.0d [Gm3.0l 8410], 2-91  
 Tube, Exhaust, Tailpipe [Gm3.0l 8410], 2-93  
 Tube, Exhaust, 2-87  
 Tube, Hyd 06 Jf06/Jf06, 2-149  
 Tube, Hyd 08 Jf08/Jf08, 2-149  
 Tube, Hyd 10, 2-149  
 Tube, Hyd 12 Jf12/Jm12, 2-151, 2-155  
 Tube, Hyd 16 Jf16/Jf16, 2-149, 2-153  
 Tube, Hyd, Tank [8410], 2-153  
 Tube, Leg, Ohg, Lh, 3-20  
 Tube, Leg, Ohg, Rh, 3-20  
 Tube, Pvc, Shc80, Clr, 4.0l, 2-207  
 Tube, Radiator, Lower, Gas/Lpg, 2-121  
 Tube, Radiator, Upper [8410/Lpg/Gas], 2-127  
 Tube, Radiator, Upper, Gas/Lpg, 2-121  
 Tube, Retainer, Spring, 2-167  
 Tube, Vinyl, Pump, Water, 4-41  
 Tube, Spacer, .41Dx.32Bx1.0l, 2-21  
 Tube, 2-173, 2-177  
 Tubing Connctr. Kit, Pmp, 4-43  
 Tubing, Vinyl, 4-37, 4-39  
 Turnbuckle, 2-185  
 Tvb, Air Bleed, 2-53  
 Valve Cl, 4-3  
 Valve Guide Bushing, 5-21, 6-21  
 Valve Kit, Hyd, F/73094/84145, Replmt, 2-157  
 Valve Kit, Poppet, 4-43  
 Valve Rocker Arm Cover, 5-21, 6-21  
 Valve Rocker Arm, 5-21, 6-21  
 Valve Spring Key, 5-21, 6-21  
 Valve Spring Retainer, 5-21, 6-21  
 Valve Spring, 5-21, 6-21  
 Valve Stem 3W2P, 4-31, 4-33, 4-35  
 Valve Stem 4W2P, 4-29, 4-31  
 Valve Stem N.C. Cp, 4-31  
 Valve Stem N.O. Cp, 4-29  
 Valve Stem Seal, 5-21, 6-21  
 Valve Stem, 4-29, 4-31, 4-33, 4-35  
 Valve, [Pcv], 2-39, 2-57, 2-71  
 Valve, Body, Throttle, Lpg, 2-71  
 Valve, Check, 2gpm 2psi Bm04/Bm04, 2-205  
 Valve, Check, Pump, Water, 4-41  
 Valve, Check, 2-71, 2-197, 4-37, 4-39  
 Valve, Dump, 4-23, 4-25  
 Valve, Exhaust, 7-3  
 Valve, Fuelock, Lpg, W/ Wire Connector, 2-71  
 Valve, Hyd [Priority Ds16g1000], 2-157, 2-159  
 Valve, Hyd Cntrl Sol (See Breakdowns), 2-29  
 Valve, Hyd Cntrl Sol, 4-29  
 Valve, Hyd Control Sol (See Breakdowns), 2-161, 2-179  
 Valve, Hyd Control Sol, 4-31, 4-33  
 Valve, Hyd, Solenoid, 12vdc 0280psi (See Breakdowns), 2-179  
 Valve, Hyd, Solenoid, 12vdc 0280psi, 4-35  
 Valve, Intake, 7-3  
 Valve, Lock Off, 2-75  
 Valve, Lpg [Mixer], 2-75  
 Valve, Lpg, Press Relief, [Rego], 2-107, 2-109  
 Valve, Press Relief, Lpg Rego, 2-103, 2-105  
 Valve, Relief, 4000 Psi, 4-27  
 Valve, Solenoid, 12V Dc, 3-3  
 Valve, Solenoid, Water Flow, 12vdc, 2-193, 2-195  
 Valve, Trim, Fuel, Normal Flow, E90, 2-71  
 Valve, Trim, Fuel, Normal Flow, 2-71  
 Valve, Water, 12vdc, 6.0mm, 04pf, 2-203  
 Valve, Water, Sol. 12VOC, 2-191, 2-193, 2-195  
 Valve, Water, Sol, 12vdc, 10bm/10bm, 4-39  
 Valve, 4-3, 4-5, 7-7, 7-9  
 Vaporizer Repair Kit, 2-63  
 Vaporizer, Lpg, 2-63  
 Vaporizer, 2-67, 2-69  
 Vr, Filter, Screen, 50 Mesh .59d .8l Ss, 2-203  
 Vr, Isolator, Box, Relay, 2-59, 2-75  
 Vr, Nut, Solenoid, 4-35

## V

## CROSS REFERENCE

Vr, Plug, Orifice [Cp], 4-33  
Vr, Plug, Orifice, 4-35  
Vr, Seal Kit, Cartridge, 4-35  
Vr, Solenoid, 12vdc, W/ Mp, 4-35  
Vr, Valve, Stem, No, 4-35  
Vr, Washer, Flat, 0.38, Hardened, 2-59,  
2-75

### W

Wand, Metal - 2PC, 3-28  
Warning Label, Starter, 5-21, 6-21  
Wash M15 1.53Od, 5-13, 6-13  
Washer .380B 1.22D .06 Ss18-8, 2-185  
Washer .400B 1.12D .12Cr Znc, 2-13,  
2-29, 2-87, 2-89, 2-111, 2-113, 2-115,  
2-117, 2-119, 2-135, 2-137, 2-139,  
2-213, 2-215, 2-217  
Washer , 7-9  
Washer 2.156B 3.50 Od .156 Felt, 2-131  
Washer Flat .31, 2-135  
Washer Flat .75, 2-135  
Washer Flt 10 Ss, 2-201  
Washer Flt .25 Ss, 2-171, 2-201  
Washer Flt .31 Ss, 2-137, 2-139, 2-171,  
2-181, 2-183, 2-191, 2-193, 2-195,  
2-197  
Washer Flt .38 Ss, 2-181, 2-183, 2-185,  
2-187  
Washer Flt .50 Ss, 2-181, 2-185  
Washer Flt .62 Hard, 2-185  
Washer Flt .75 Hard, 2-171  
Washer Flt .75 SAE, 2-29  
Washer .250b .88D .06Neopre, 2-137,  
2-139  
Washer, .391B .75D .06Nylon, 2-113,  
2-115  
Washer, .400B 1.12D .12Cr.Znc, 2-161  
Washer, .530B 1.50D .19Hr, 3-33  
Washer, .531B 1.75D .12Cr.Znc, 2-169  
Washer, .562B 3.03D .25Hr.Znc, 2-21  
Washer, .656B 1.25D .06, 2-181, 2-183  
Washer, .812B 1.06D .06Cr., 2-137, 2-139  
Washer, 0.53b 1.88d .12, Stl, Pl, 2-39,  
2-41, 2-43  
Washer, Belleville, .31, 2-47, 2-49  
Washer, Belleville, .38, 2-37, 2-39, 2-41,  
2-43  
Washer, Flat, .20b .50d .06, Alm, Blind,  
3-15, 3-17  
Washer, Flat, .25 Sae, 2-39, 2-41, 2-43  
Washer, Flat, .31 Std, 2-39, 2-41, 2-43,  
2-45, 2-51, 2-123, 2-125, 2-143  
Washer, Flat, .38 Sae, 2-45, 2-47  
Washer, Flat, .38 Std, 2-39, 2-41, 2-43,  
2-45, 2-47, 2-81  
Washer, Flat, .50 Sae, 2-143  
Washer, Flat, .50 Std, 2-39, 2-41, 2-43  
Washer, Flat, #08, Ss, 2-5  
Washer, Flat, #10, Ss, 2-135  
Washer, Flat, #10, 2-119, 2-135, 2-203,  
3-11, 3-13  
Washer, Flat, #8, Ss, 2-205

Washer, Flat, 0.25 Fender, 2-91, 2-93  
Washer, Flat, 0.25 Fendr, 2-31  
Washer, Flat, 0.25 Sae, 2-91, 2-93, 2-117,  
2-119, 2-137, 2-139  
Washer, Flat, 0.25 Ss, 2-9, 2-11, 2-193,  
2-195, 2-203, 2-211  
Washer, Flat, 0.25 Std, 2-21, 2-23, 2-99,  
2-115, 2-133  
Washer, Flat, 0.25, Sae, 2-101, 2-127  
Washer, Flat, 0.25, Ss, 2-4, 2-5, 2-169  
Washer, Flat, 0.25, Std, 2-59, 2-75, 2-101,  
2-127, 2-157, 2-159  
Washer, Flat, 0.28b 1.00d .06, Stl, 2-69  
Washer, Flat, 0.31 Sae, 2-133  
Washer, Flat, 0.31 Ss, 2-9, 2-11, 2-137,  
2-139, 2-187, 2-203, 2-205  
Washer, Flat, 0.31 Std, 2-41, 2-43, 2-125,  
2-205, 2-217  
Washer, Flat, 0.31, Ss, 2-173, 2-175,  
2-177  
Washer, Flat, 0.31, Std, 2-85, 2-93, 2-101,  
2-119, 2-127, 2-133, 3-15, 3-17, 3-19  
Washer, Flat, 0.34b 0.75d .12, Viton,  
2-203  
Washer, Flat, 0.34b 0.75d .12 [Viton],  
2-203  
Washer, Flat, 0.38 Sae, 2-49, 2-143  
Washer, Flat, 0.38 Std, 2-83, 2-85, 2-137,  
2-139, 2-143  
Washer, Flat, 0.38, Hardened, 2-59, 2-75  
Washer, Flat, 0.38, Sae, 2-127  
Washer, Flat, 0.38, Std, 2-93, 2-127,  
2-157, 2-159  
Washer, Flat, 0.40b 1.12d .12, Stl, Pl,  
2-91, 2-93  
Washer, Flat, 0.40b 1.12d .12, Stl, Pl, 2-31  
Washer, Flat, 0.44b 1.00 .08, Ss, 2-9, 2-11  
Washer, Flat, 0.44b 1.00d .08, Ss, 2-173,  
2-177  
Washer, Flat, 0.50 Std, 2-187  
Washer, Flat, 0.56b 1.38d .11, Ss, 2-9,  
2-11  
Washer, Flat, 0.56b 1.38d .11, Ss, 2-177  
Washer, Flat, 0.75, Sae, 2-131  
Washer, Flat, 1.00 Sae, 2-133  
Washer, Flat, Belleville, .31, 2-119  
Washer, Flat, Belleville, .50, 2-169  
Washer, Flat, 2-171  
Washer, Flt, .25 Sae, 2-65  
Washer, Flt, Pump, Hyd, 4-27  
Washer, Loc, M5, 2-39, 2-41, 2-43  
Washer, Lock, .25, 2-39, 2-41, 2-43  
Washer, Lock, .31, 2-39, 2-41, 2-43, 2-45  
Washer, Lock, .38, 2-39, 2-41, 2-43, 2-45  
Washer, Lock, #10, 2-39, 2-41, 2-43  
Washer, Lock, 0.38, 2-59, 2-75  
Washer, Lock, Int / Ext, 0.38, 2-59, 2-75  
Washer, Lock, Int, .25, 2-65  
Washer, Lock, Int, #08, 2-99, 2-101  
Washer, Lock, Int, #10, 2-49, 2-99, 2-101,  
2-197  
Washer, Lock, Int-ext, .38, 2-47, 2-49  
Washer, Poly, 3-29, 3-30

Washer, Pump, Hyd En, 4-27  
Washer, Rbr, .12 0.66b 1.00d, 3-3  
Washer, Rbr, 4-41  
Washer, Rubber, 4-37  
Washer, Sealing, 2-157, 2-159  
Washer, Thrust, 2-131, 2-185  
Washer, Nyl, 0.405Bx0.812X.060Th, 2-163,  
2-167  
Washer-Belleville .25 Pltd, 2-121  
Washer-Belleville .3 Pltd, 2-137, 2-139  
Washer-Belleville .31 Pltd, 2-13, 2-213,  
2-215, 2-217  
Washer-Belleville .31 Pltd, 2-111, 2-113,  
2-115, 2-187  
Washer-Belleville .38 Pltd, 2-185  
Washer-Belleville .50 Pltd, 2-21  
Washer-Belville .38 Pltd, 2-141  
Washer-Flat .44 Std Nylon, 2-173, 2-175,  
2-177  
Washer-Flt .75, 2-117, 2-119  
Washer-Flt .25 Fender Pltd, 2-117, 2-119  
Washer-Flt .31 Fender Pltd, 2-111, 2-113,  
2-115  
Washer-Loc int .31 Ss, 2-113, 2-115  
Washer-Loc Int-Ext .25 Pltd, 2-95  
Washer, 2-37, 2-53, 2-55, 2-57, 2-69, 2-71,  
2-189, 4-21, 4-23, 4-25, 5-9, 5-11,  
5-19, 6-9, 6-11, 6-19, 7-5, 7-9, 7-12  
Water Outlet, 5-23, 6-23  
Water Pump, 5-23, 6-23, 7-12  
Weight, Eccentric, 2-25  
Wheel, 3 Inch Dia, 2-189  
Wheel, 3 Inch Dia., 2-189  
Wheel, Steering, 14.0d, Taper Bore, 2-219  
Wingnut, 3-39  
Wire Assy, 2-37  
Wire Asy, Spark Plug, 5-24, 6-24  
Wire Harness, 5-24  
Wire Kit, 2-63  
Wire, 42.0 Lg, 2Ga, Neg, 2-129  
Wire, Ground, 2-35, 2-45, 2-47, 2-49  
Wire, 4-19, 7-5  
Wireharness, Backflush, 4-39

### Y

Yoke, End-Adjustable, 2-163  
Yoke, Pivot, Machining, 2-27

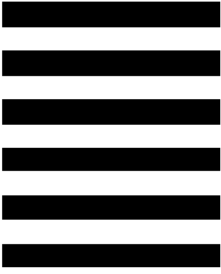




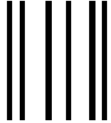
**TENNANT COMPANY**  
 Technical Publications #15  
 701 North Lilac Drive  
 P.O. Box 1452  
 Minneapolis, MN 55440-9947

POSTAGE WILL BE PAID BY ADDRESSEE

**BUSINESS REPLY MAIL**  
 FIRST CLASS MAIL PERMIT NO. 94 MINNEAPOLIS, MN



NO POSTAGE  
 NECESSARY  
 IF MAILED  
 IN THE  
 UNITED STATES



Fold along dotted lines

Tape here





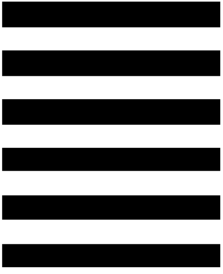




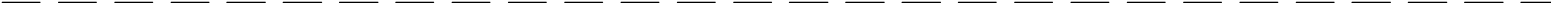
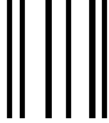
**TENNANT COMPANY**  
 Technical Publications #15  
 701 North Lilac Drive  
 P.O. Box 1452  
 Minneapolis, MN 55440-9947

POSTAGE WILL BE PAID BY ADDRESSEE

**BUSINESS REPLY MAIL**  
 FIRST CLASS MAIL PERMIT NO. 94 MINNEAPOLIS, MN



NO POSTAGE  
 NECESSARY  
 IF MAILED  
 IN THE  
 UNITED STATES



Fold along dotted lines

Tape here

